



Size: 1.24in x 0.79in x 0.43in (31.6mm x 20.1mm x 11mm)

FEATURES

- Wide Input Voltage Ranges
- 24PIN DIL Package
- Industry Standard Pinout
- Regulated Output Types
- Internal SMD Construction
- Short Circuit Protection
- Low Ripple & Noise
- RoHS Compliant

DESCRIPTION

The LANCY3 series of DC/DC converters offers 3 watts of output power in a compact 1.24" x 0.79" x 0.43" 24 pin DIL package. This series consists of regulated single and dual output models with wide input voltage ranges. Each model features internal SMD construction, industry standard pinout, low ripple and noise, and high efficiency. This series has short circuit protection and is RoHS compliant.

MODEL SELECTION TABLE

Single Output Models

Model Number	Input Voltage Range	Output Voltage	Output Current	Efficiency	Output Power
LANCY3-05S05	5VDC	5VDC	600mA	65%	3W
LANCY3-05S09		9VDC	333mA	70%	
LANCY3-05S12		12VDC	250mA	75%	
LANCY3-05S15		15VDC	200mA	80%	
LANCY3-05S24		24VDC	125mA	80%	
LANCY3-09S05	9VDC	5VDC	600mA	65%	3W
LANCY3-09S09		9VDC	333mA	70%	
LANCY3-09S12		12VDC	250mA	75%	
LANCY3-09S15		15VDC	200mA	80%	
LANCY3-09S24		24VDC	125mA	80%	
LANCY3-12S05	12VDC	5VDC	600mA	65%	3W
LANCY3-12S09		9VDC	333mA	70%	
LANCY3-12S12		12VDC	250mA	75%	
LANCY3-12S15		15VDC	200mA	80%	
LANCY3-12S24		24VDC	125mA	80%	
LANCY3-15S05	15VDC	5VDC	600mA	65%	3W
LANCY3-15S09		9VDC	333mA	70%	
LANCY3-15S12		12VDC	250mA	75%	
LANCY3-15S15		15VDC	200mA	80%	
LANCY3-15S24		24VDC	125mA	80%	
LANCY3-24S05	24VDC	5VDC	600mA	65%	3W
LANCY3-24S09		9VDC	333mA	70%	
LANCY3-24S12		12VDC	250mA	75%	
LANCY3-24S15		15VDC	200mA	80%	
LANCY3-24S24		24VDC	125mA	80%	
LANCY3-48S05	48VDC	5VDC	600mA	65%	3W
LANCY3-48S09		9VDC	333mA	70%	
LANCY3-48S12		12VDC	250mA	75%	
LANCY3-48S15		15VDC	200mA	80%	
LANCY3-48S24		24VDC	125mA	80%	

MODEL SELECTION TABLE

Dual Output Models

Model Number	Input Voltage Range	Output Voltage	Output Current	Efficiency	Output Power
LANCY3-05D05	5VDC	±5VDC	±300mA	65%	3W
LANCY3-05D09		±9VDC	±167mA	70%	
LANCY3-05D12		±12VDC	±125mA	75%	
LANCY3-05D15		±15VDC	±100mA	80%	
LANCY3-05D24		±24VDC	±63mA	80%	
LANCY3-09D05	9VDC	±5VDC	±300mA	65%	3W
LANCY3-09D09		±9VDC	±167mA	70%	
LANCY3-09D12		±12VDC	±125mA	75%	
LANCY3-09D15		±15VDC	±100mA	80%	
LANCY3-09D24		±24VDC	±63mA	80%	
LANCY3-12D05	12VDC	±5VDC	±300mA	65%	3W
LANCY3-12D09		±9VDC	±167mA	70%	
LANCY3-12D12		±12VDC	±125mA	75%	
LANCY3-12D15		±15VDC	±100mA	80%	
LANCY3-12D24		±24VDC	±63mA	80%	
LANCY3-15D05	15VDC	±5VDC	±300mA	65%	3W
LANCY3-15D09		±9VDC	±167mA	70%	
LANCY3-15D12		±12VDC	±125mA	75%	
LANCY3-15D15		±15VDC	±100mA	80%	
LANCY3-15D24		±24VDC	±63mA	80%	
LANCY3-24D05	24VDC	±5VDC	±300mA	65%	3W
LANCY3-24D09		±9VDC	±167mA	70%	
LANCY3-24D12		±12VDC	±125mA	75%	
LANCY3-24D15		±15VDC	±100mA	80%	
LANCY3-24D24		±24VDC	±63mA	80%	
LANCY3-48D05	48VDC	±5VDC	±300mA	65%	3W
LANCY3-48D09		±9VDC	±167mA	70%	
LANCY3-48D12		±12VDC	±125mA	75%	
LANCY3-48D15		±15VDC	±100mA	80%	
LANCY3-48D24		±24VDC	±63mA	80%	

SPECIFICATIONS

All specifications are based on 25°C, Nominal Input Voltage, and Rated Output Current unless otherwise noted.
We reserve the right to change specifications based on technological advances.

SPECIFICATION	TEST CONDITIONS		Min	Typ	Max	Unit
INPUT SPECIFICATIONS						
Input Voltage			See Table			
Voltage Tolerance	Vo, Io Nom				±10	%
Input Filter			Capacitor			
OUTPUT SPECIFICATIONS						
Output Voltage			See Table			
Voltage Tolerance	100% Full Load				±3	%
Line Regulation	Regulated				±0.5	%
Load Regulation	Regulated				±0.8	%
Output Power			See Table			
Output Current			See Table			
Ripple & Noise	BW=DC to 20MHz	5-9V Outputs			100	mVp-p
		12-24V Outputs			1% of Vout	
Transient Response Setting Time	50% Load Step Change			350		us
PROTECTION						
Short Circuit Protection			Continuous			

SPECIFICATIONS

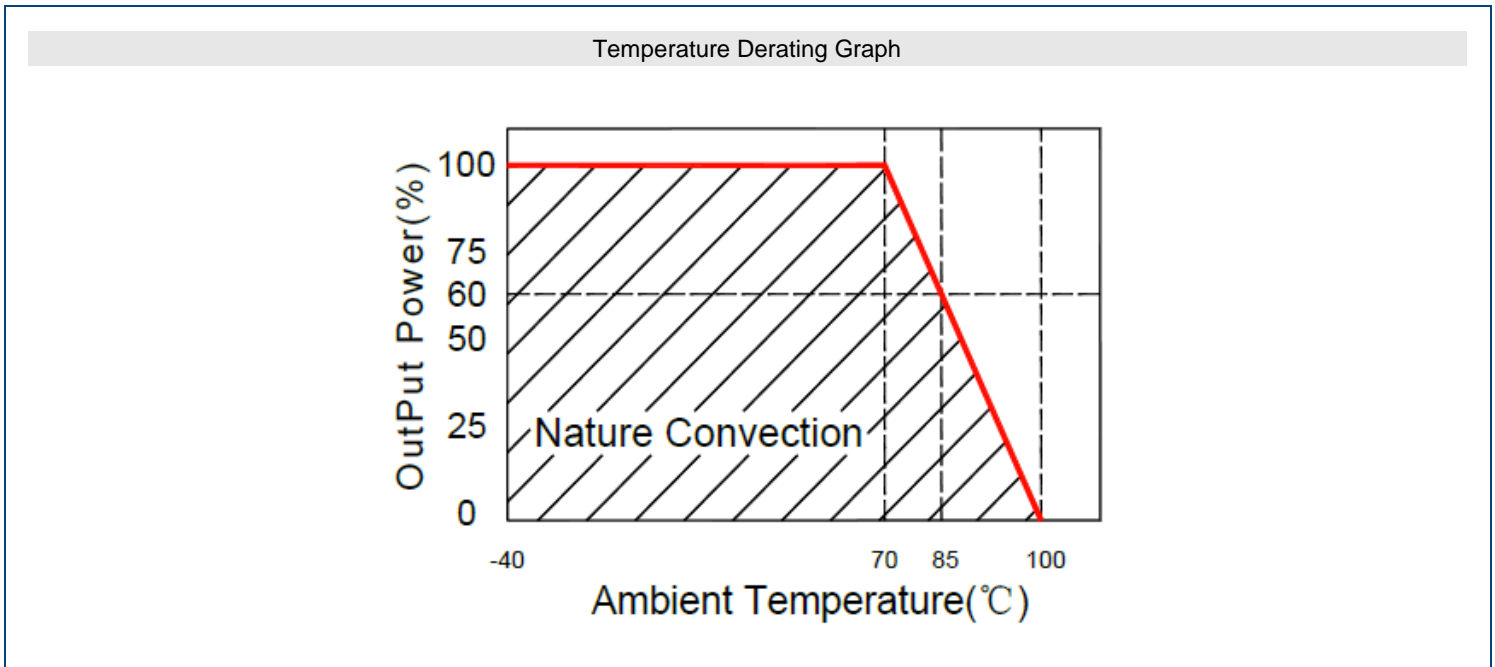
All specifications are based on 25°C, Nominal Input Voltage, and Maximum Output Current unless otherwise noted.
We reserve the right to change specifications based on technological advances.

SPECIFICATION	TEST CONDITIONS	Min	Typ	Max	Unit
ENVIRONMENTAL SPECIFICATIONS					
Operating Temperature		-40		+85	°C
Humidity	Non Condensing			95	%
Cooling		Free Air Convection			
MTBF	MIL-HDBK-217F@25°C	1,500,000			Hours
GENERAL SPECIFICATIONS					
Efficiency		See Table			
Switching Frequency	Full Load, Nominal Input		100		KHz
Isolation Resistance	500VDC	1000			MΩ
PHYSICAL SPECIFICATIONS					
Weight		0.57oz (16.2g)			
Dimensions (L x W x H)		1.24in x 0.79in x 0.43in (31.6mm x 20.1mm x 11mm)			
Case Material		Nickel Coated Copper with Non-Conductive Base			

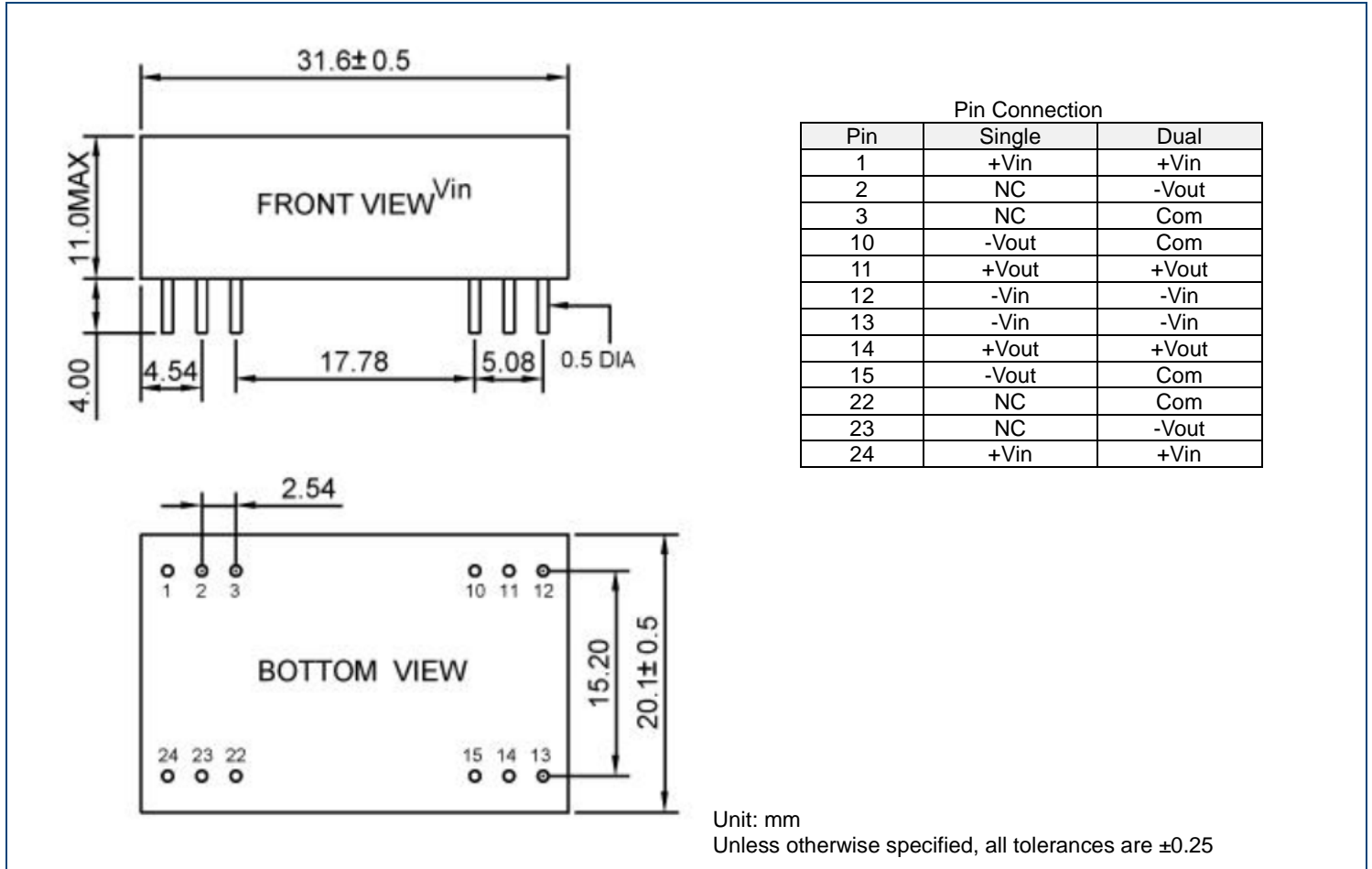
NOTES

- As the input voltage increases, there will be an increase in efficiency.
**Due to advances in technology, specifications subject to change without notice.*

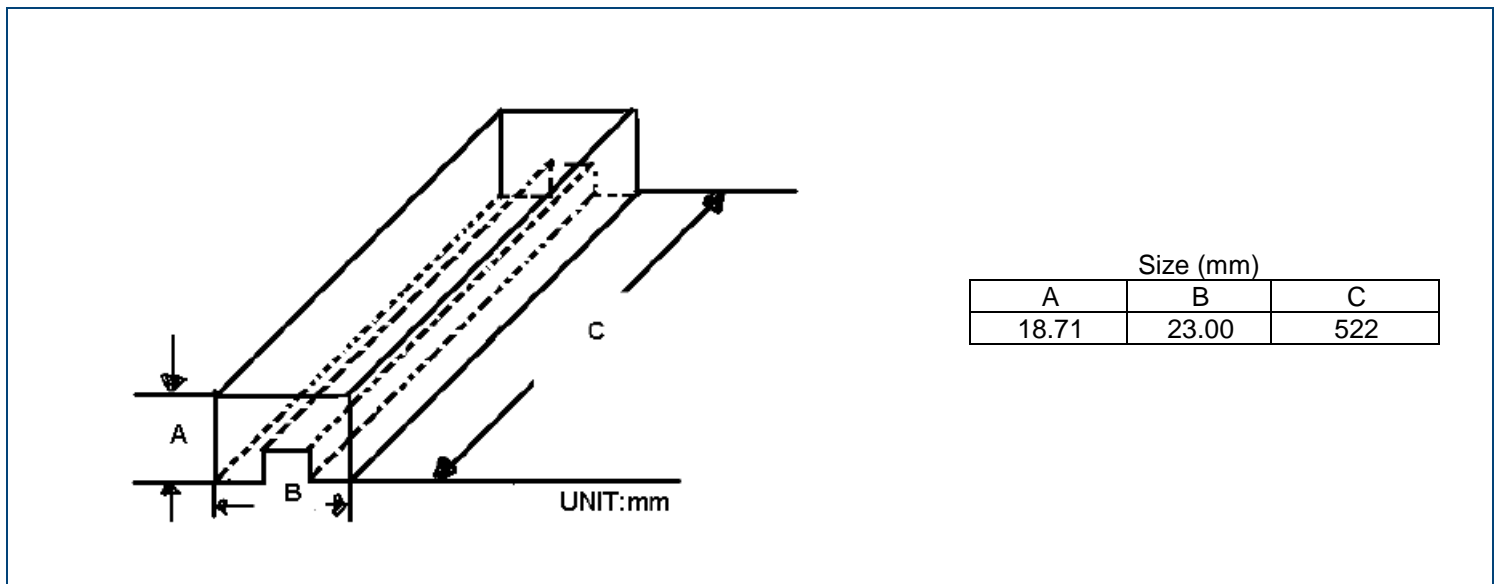
DERATING CURVES



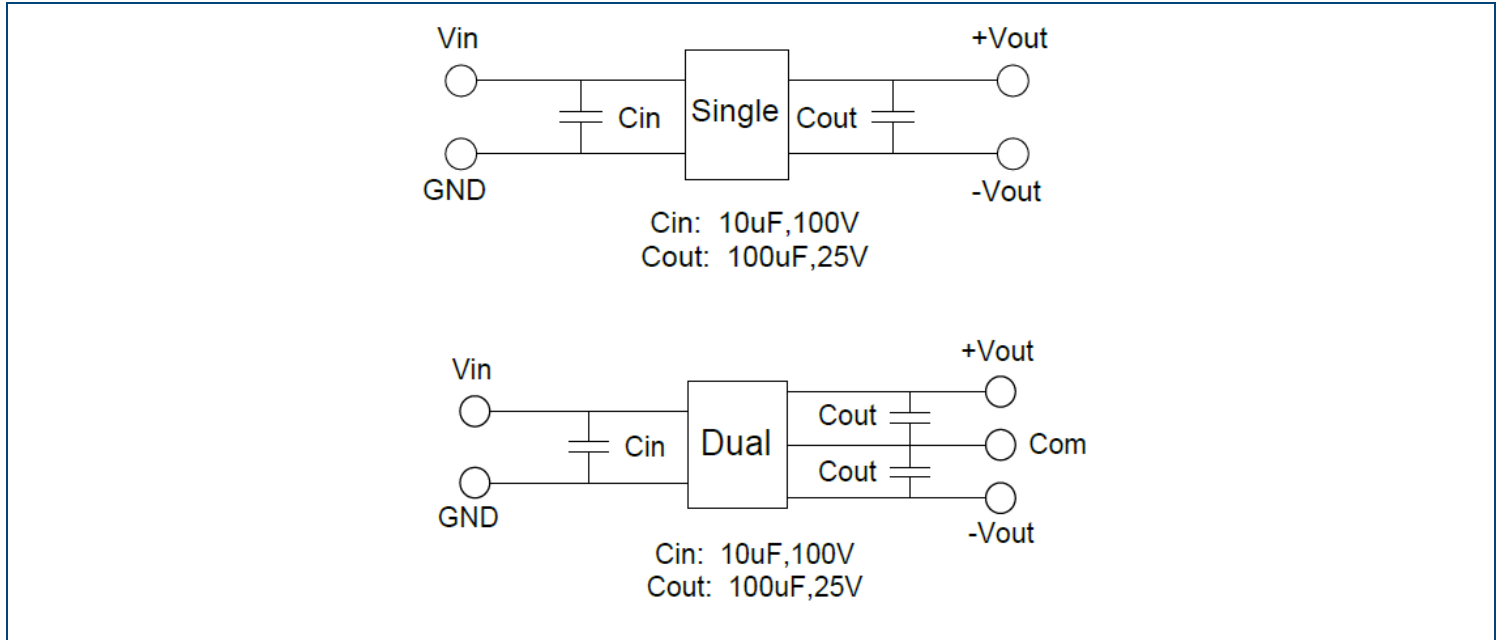
MECHANICAL DRAWINGS



PACKAGING



RECOMMENDED TEST CIRCUIT



COMPANY INFORMATION

Wall Industries, Inc. has created custom and modified units for over 50 years. Our in-house research and development engineers will provide a solution that exceeds your performance requirements on-time and on budget. Our ISO9001-2008 certification is just one example of our commitment to producing a high quality, well-documented product for our customers.

Our past projects demonstrate our commitment to you, our customer. Wall Industries, Inc. has a reputation for working closely with its customers to ensure each solution meets or exceeds form, fit and function requirements. We will continue to provide ongoing support for your project above and beyond the design and production phases. Give us a call today to discuss your future projects.

Contact **Wall Industries** for further information:

Phone: ☎(603)778-2300
Toll Free: ☎(888)597-9255
Fax: ☎(603)778-9797
E-mail: sales@wallindustries.com
Web: www.wallindustries.com
Address: 37 Industrial Drive
Exeter, NH 03833