



SANYO Semiconductors

# DATA SHEET

## LB1862 — Monolithic Digital IC For Fan Motor Single-Phase Full-Wave Driver

### Overview

Single-phase full-wave drive design and a compact package make these ICs optimal for small fans (especially CPU cooling fans). Low switching noise and effective motor drive are further advantages.

### Functions

- Support for 5V/12V dual power supply voltage
- Built-in regenerative circuit allows use of reverse connection protection diode
- Built-in Hall amplifier with hysteresis (supports core without auxiliary electrode)
- Built-in lockup protection and automatic recovery circuits
- Latch-type lockup detection output (RD) is Low during rotation and High during stop
- Hall bias pin and start/stop pin allow reduced current drain in standby mode
- Built-in thermal protection circuit

### Specifications

**Absolute Maximum Ratings** at  $T_a = 25^\circ\text{C}$

Parameter	Symbol	Conditions	Ratings	Unit
Maximum supply voltage	$V_{CC\ max}$		17	V
Maximum output current	$I_{OUT\ max}$		0.8	A
Maximum output withstand voltage	$V_{OUT\ max}$		17	V
RD maximum output withstand voltage	$V_R\ max$		17	V
RD maximum output current	$I_R\ max$		5	mA
HB maximum output current	$I_B\ max$		10	mA
ST maximum input voltage	$V_{ST\ max}$		15	V
Allowable power dissipation	$P_d\ max$		1.0	W
Operating temperature	$T_{opr}$		-30 to +85	$^\circ\text{C}$
Storage temperature	$T_{stg}$		-55 to +150	$^\circ\text{C}$

■ Any and all SANYO Semiconductor Co.,Ltd. products described or contained herein are, with regard to "standard application", intended for the use as general electronics equipment (home appliances, AV equipment, communication device, office equipment, industrial equipment etc.). The products mentioned herein shall not be intended for use for any "special application" (medical equipment whose purpose is to sustain life, aerospace instrument, nuclear control device, burning appliances, transportation machine, traffic signal system, safety equipment etc.) that shall require extremely high level of reliability and can directly threaten human lives in case of failure or malfunction of the product or may cause harm to human bodies, nor shall they grant any guarantee thereof. If you should intend to use our products for applications outside the standard applications of our customer who is considering such use and/or outside the scope of our intended standard applications, please consult with us prior to the intended use. If there is no consultation or inquiry before the intended use, our customer shall be solely responsible for the use.

■ Specifications of any and all SANYO Semiconductor Co.,Ltd. products described or contained herein stipulate the performance, characteristics, and functions of the described products in the independent state, and are not guarantees of the performance, characteristics, and functions of the described products as mounted in the customer's products or equipment. To verify symptoms and states that cannot be evaluated in an independent device, the customer should always evaluate and test devices mounted in the customer's products or equipment.

# LB1862

## Allowable Operating Conditions at Ta = 25°C

Parameter	Symbol	Conditions	Ratings	Unit
Power supply voltage	V <sub>CC</sub>		3.8 to 16.8	V
ST input High level voltage	ST <sub>H</sub>		3 to 14	V
ST input Low level voltage	ST <sub>L</sub>		-0.3 to +0.4	V
Hall input common mode voltage	V <sub>ICM</sub>		0.2 to V <sub>CC</sub> -1.5	V

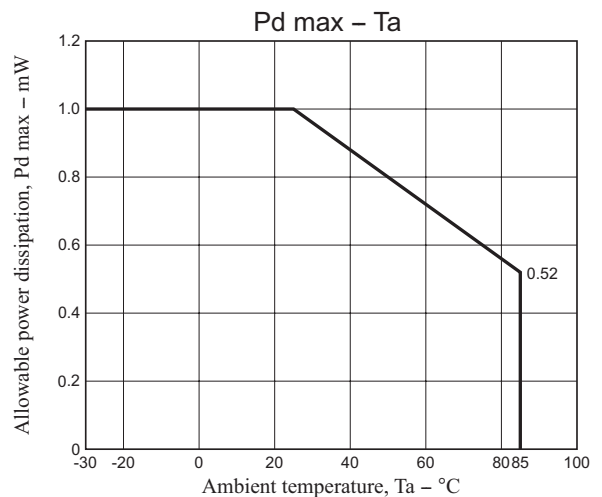
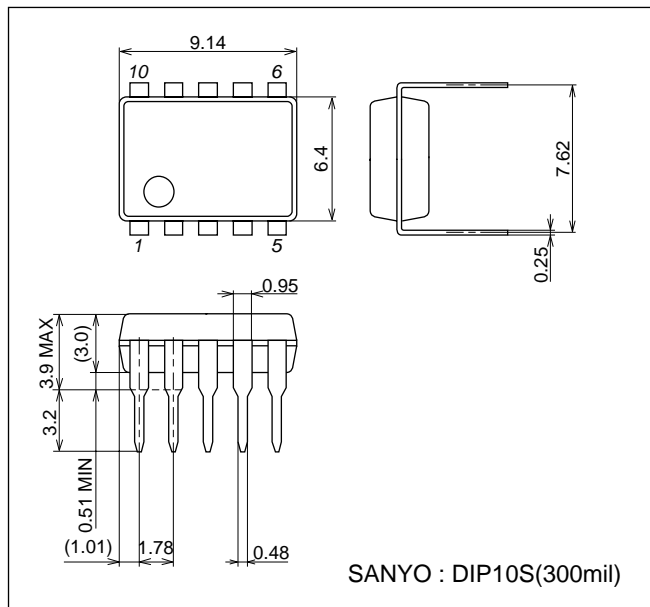
## Electrical Characteristics at Ta = 25°C, V<sub>CC</sub> = 5V

Parameter	Symbol	Conditions	Ratings			Unit
			min	typ	max	
Current drain	I <sub>CC</sub>	In drive mode (CT = "L", ST = "L")		6.5	9.1	mA
		In lockup protection mode (CT = "H", ST = "L")		2.2	3.1	mA
		In standby mode (ST = "H")		110	150	μA
Lockup detection capacitor charge current	I <sub>CT1</sub>		1.9	2.8	3.7	μA
Capacitor discharge current	I <sub>CT2</sub>		0.32	0.46	0.60	μA
Capacitor charge/discharge current ratio	R <sub>CT</sub>	R <sub>CT</sub> = I <sub>CT1</sub> /I <sub>CT2</sub>	5.0	6.0	7.0	
CT charge voltage	V <sub>CT1</sub>		2.55	2.75	2.95	V
CT discharge voltage	V <sub>CT2</sub>		1.6	1.8	2.0	V
Output Low level voltage	V <sub>OL</sub>	I <sub>O</sub> = 200mA		0.2	0.3	V
Output High level voltage	V <sub>OH</sub>	I <sub>O</sub> = 200mA	3.9	4.1		V
Hall input sensitivity	V <sub>HN</sub>	Zero peak value (Including offset and hysteresis)		7	15	mA
RD output pin Low voltage	V <sub>RD</sub>	I <sub>RD</sub> = 5mA		0.1	0.3	V
RD output pin leakage current	I <sub>RD</sub>	V <sub>RD</sub> = 15V			30	μA
HB output Low voltage	V <sub>HBL</sub>	I <sub>HB</sub> = 5mA		1.0	1.3	V
ST pin input current	I <sub>ST</sub>	V <sub>ST</sub> = 5V		75	100	μA

## Package Dimensions

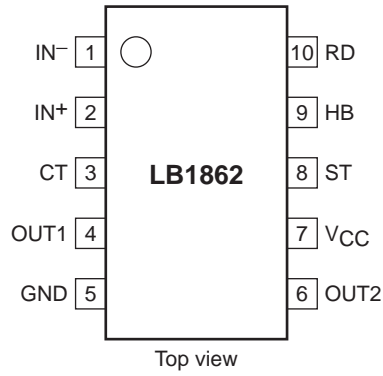
unit : mm (typ)

3098D

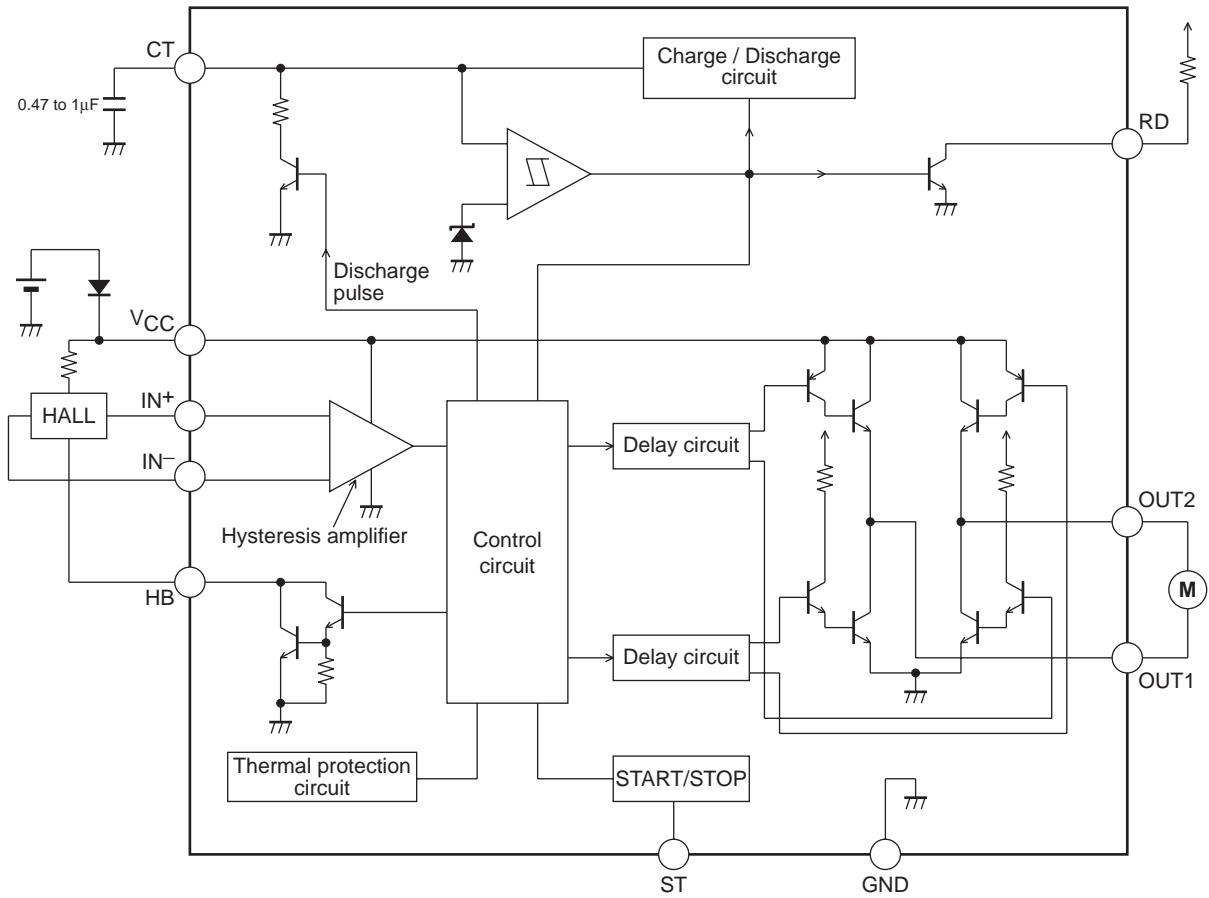


# LB1862

## Pin Assignment



## Block Diagram

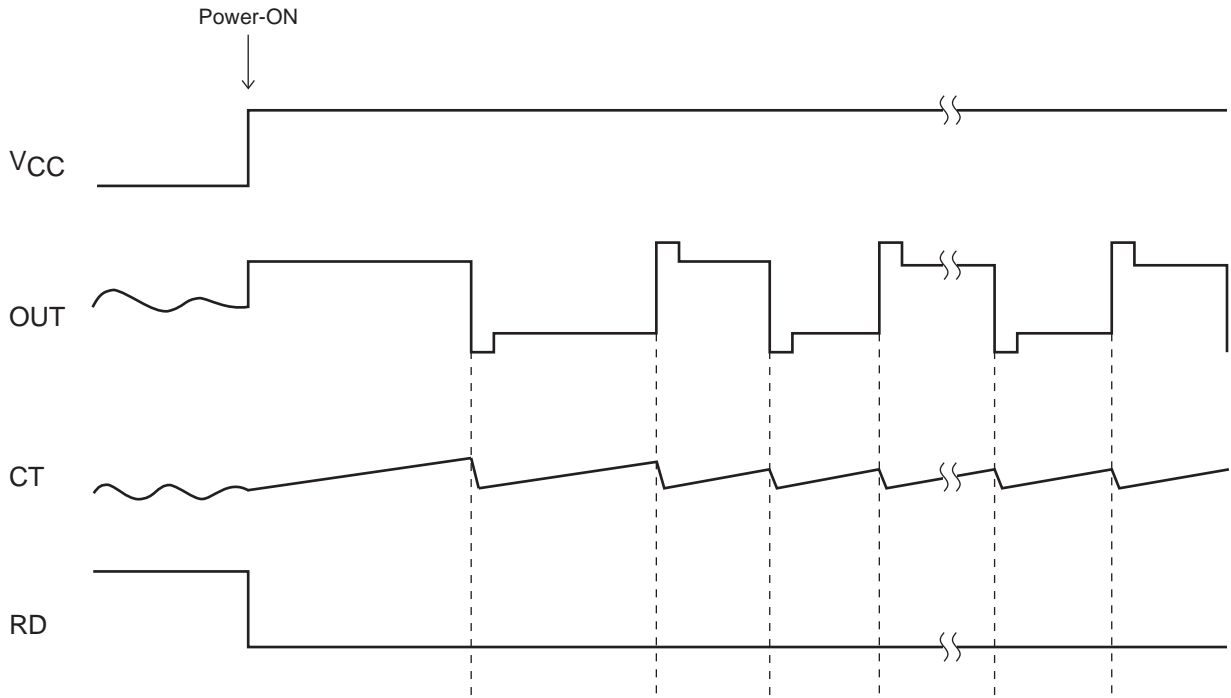


## Truth Table

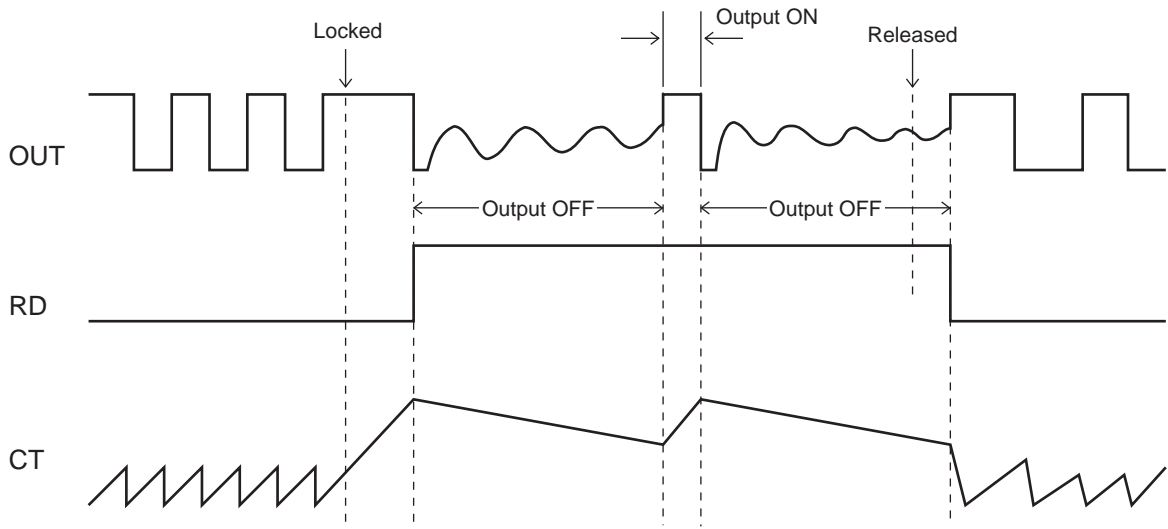
ST	IN-	IN+	CT	OUT1	OUT2	RD	HB	Mode
H	-	-	-	OFF	OFF	OFF	OFF	Standby
L	H	L	L	H	L	L	L	Rotating
	L	H		L	H			
-	-	-	H	OFF	OFF	OFF	L	Lockup protection activated

Latch-type RD output is Low during rotation and High during stop.

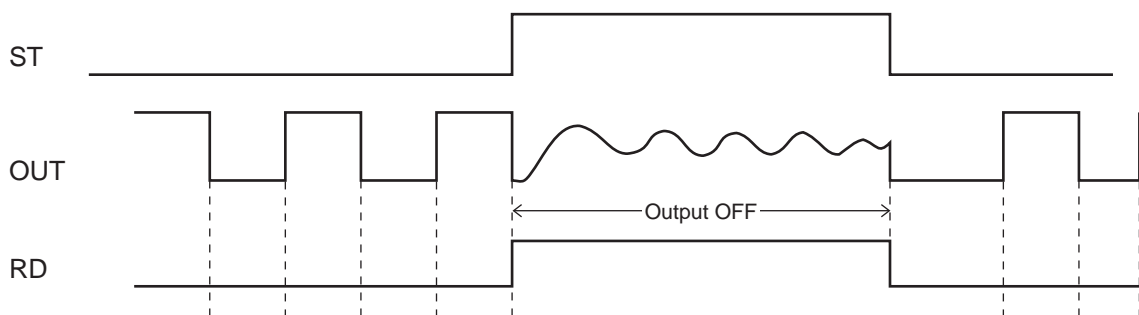
**Startup**



**Lockup protection/automatic recovery**



**Start/stop**



**Design Reference****(1) V<sub>CC</sub> pin**

Power supply pin for control block and motor drive.

Accepts a wide operation voltage range from 3.8 to 16.8V, for 5V/12V dual power supply support.

**(2) OUT1, OUT2 pins**

Single-phase coil output pins.

Bipolar drive output with upper side inverted and lower side single output. Built-in regenerative circuit regenerates kickback current between lower side NPN outputs when a diode is used for protection against reverse connection.

**(3) IN<sup>-</sup>, IN<sup>+</sup> pins**

Hall input signal pins

The Hall signal is amplified into a square wave by the Hall amplifier with hysteresis characteristics of  $\pm 3.5\text{mV}$  (typ.).

The Hall input signal amplitude should be 70mV or more.

**(4) CT pin**

This pin serves for connecting a capacitor between CT and GND.

The capacitor determines the characteristics of the built-in lockup protection circuit for preventing coil burnout in the case of motor restraint. Once normal motor load is restored, the automatic recovery circuit resets itself.

Changing the capacitance alters the lockup detection time.

When a 0.47 mF capacitor is connected between CT and GND

Lockup detection time : approx. 0.5s

Lockup protection time/automatic recovery time : approx. 0.16s (output ON)

approx. 1s (output OFF)

When not using lockup protection function, this pin should be connected to ground.

**(5) RD pin**

Open-collector output pin that is Low during rotation and OFF when lockup is detected.

The output is a latch type which stays OFF also when the automatic recovery circuit has restored drive mode unless the rotation actually resumes.

**(6) ST pin and HB pin**

ST pin : When input to this pin is High, motor drive is stopped (OUT is high impedance).

At this time, RD output indicates lockup protection mode OFF.

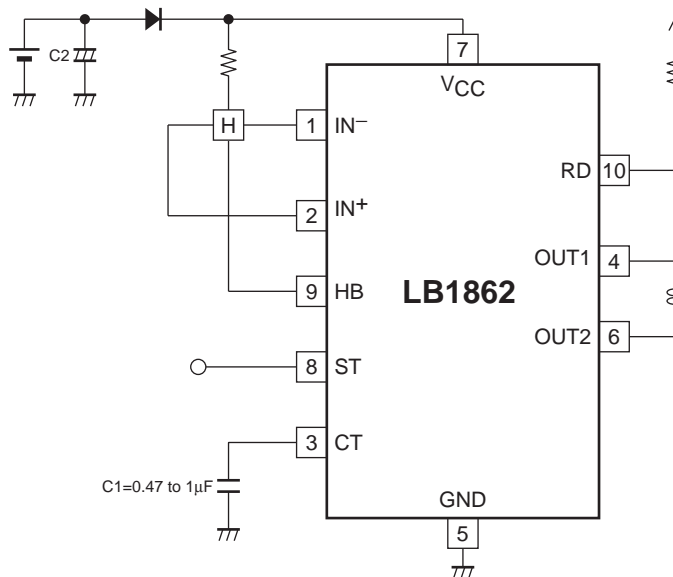
HB pin : Hall bias switching pin. At ST pin High input, Hall bias is switched to reduce current drain in fan standby mode.

If not used, both pins should be open.

**(7) Thermal protection circuit**

When internal temperature  $T_j$  of IC reaches 180°C, output current limiter is activated to protect against damage.

Application Circuit Example



- (1) D1 is used to prevent IC destruction caused by reverse-connection. It can be omitted if no problems are expected.
- (2) C2 would not be required for the internal fan PCB but required for the power supply line in order to reduce the power line impedance and pass the regenerative current because a motor is basically an inductive load and it has a possibility of large current when the power is first applied or in other cases.
- (3) When CT is not used, it should be connected to ground.
- (4) When RD, ST, and HB are not used, they should be left open or connected to ground.

- SANYO Semiconductor Co.,Ltd. assumes no responsibility for equipment failures that result from using products at values that exceed, even momentarily, rated values (such as maximum ratings, operating condition ranges, or other parameters) listed in products specifications of any and all SANYO Semiconductor Co.,Ltd. products described or contained herein.
- SANYO Semiconductor Co.,Ltd. strives to supply high-quality high-reliability products, however, any and all semiconductor products fail or malfunction with some probability. It is possible that these probabilistic failures or malfunction could give rise to accidents or events that could endanger human lives, trouble that could give rise to smoke or fire, or accidents that could cause damage to other property. When designing equipment, adopt safety measures so that these kinds of accidents or events cannot occur. Such measures include but are not limited to protective circuits and error prevention circuits for safe design, redundant design, and structural design.
- In the event that any or all SANYO Semiconductor Co.,Ltd. products described or contained herein are controlled under any of applicable local export control laws and regulations, such products may require the export license from the authorities concerned in accordance with the above law.
- No part of this publication may be reproduced or transmitted in any form or by any means, electronic or mechanical, including photocopying and recording, or any information storage or retrieval system, or otherwise, without the prior written consent of SANYO Semiconductor Co.,Ltd.
- Any and all information described or contained herein are subject to change without notice due to product/technology improvement, etc. When designing equipment, refer to the "Delivery Specification" for the SANYO Semiconductor Co.,Ltd. product that you intend to use.
- Information (including circuit diagrams and circuit parameters) herein is for example only; it is not guaranteed for volume production.
- Upon using the technical information or products described herein, neither warranty nor license shall be granted with regard to intellectual property rights or any other rights of SANYO Semiconductor Co.,Ltd. or any third party. SANYO Semiconductor Co.,Ltd. shall not be liable for any claim or suits with regard to a third party's intellectual property rights which has resulted from the use of the technical information and products mentioned above.

This catalog provides information as of February, 2009. Specifications and information herein are subject to change without notice.