

SANYO	No. 4947A	LB1886V
	Three-Phase Brushless Motor Driver	

Overview

The LB1886V is a three-phase brushless motor driver IC that is optimal for capstan and drum motor drive in camcorders and other VCR products and for motor drive in digital audio products.

Features

- 120° voltage linear drive scheme
- Motor voltage control based speed control provides reduced power (and thus is optimal for use in portable equipment)
- Built-in torque ripple compensation filter
- Soft switching scheme requires a smaller external capacitance (thus chip capacitors can be used)
- Built-in thermal shutdown circuit
- Built-in FG amplifier

Specifications

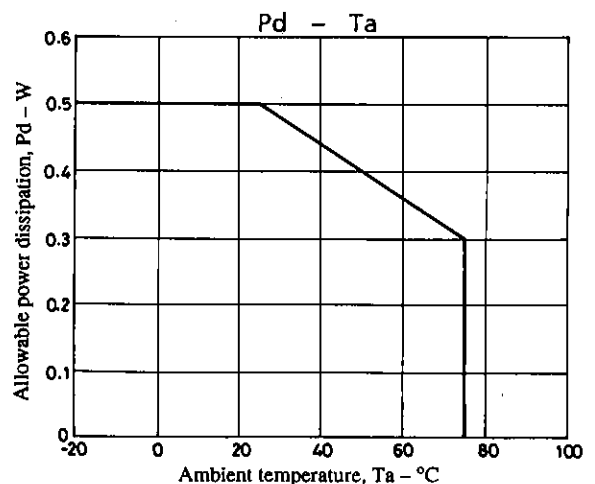
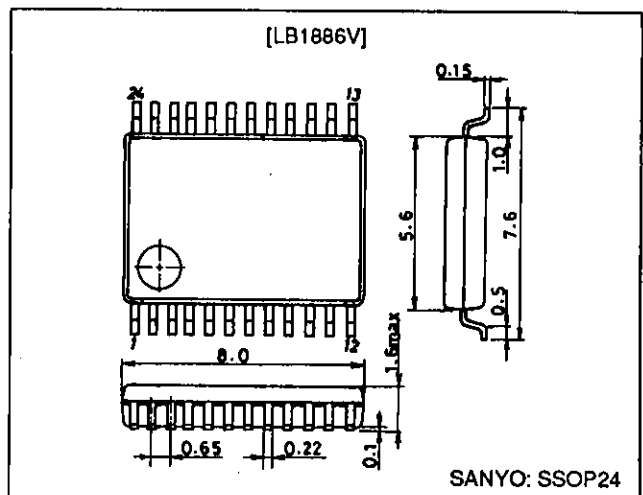
Absolute Maximum Ratings at $T_a = 25^\circ\text{C}$

Parameter	Symbol	Conditions	Ratings	Unit
Maximum supply voltage 1	$V_{CC1\ max}$		7	V
Maximum supply voltage 2	$V_{CC2\ max}$		12	V
Maximum supply voltage 3	$V_S\ max$		V_{CC2}	V
Applied output voltage	$V_O\ max$		$V_S + 2$	V
Applied input voltage	$V_I\ max$	All input pins	V_{CC1}	V
Output current	$I_O\ max$		1.0	A
Allowable power dissipation	$P_d\ max$		0.5	W
Operating temperature	T_{opr}		-20 to +75	°C
Storage temperature	T_{stg}		-55 to +150	°C

Package Dimensions

unit: mm

3175A-SSOP24



Allowable Operating Ranges at $T_a = 25^\circ\text{C}$

Parameter	Symbol	Conditions	Ratings	Unit
Supply voltage 1	V_{CC1}	$V_{CC1} \leq V_{CC2}$	4.0 to 6.0	V
Supply voltage 2	V_{CC2}		4 to 10	V
Supply voltage 3	V_S		up to V_{CC2}	V

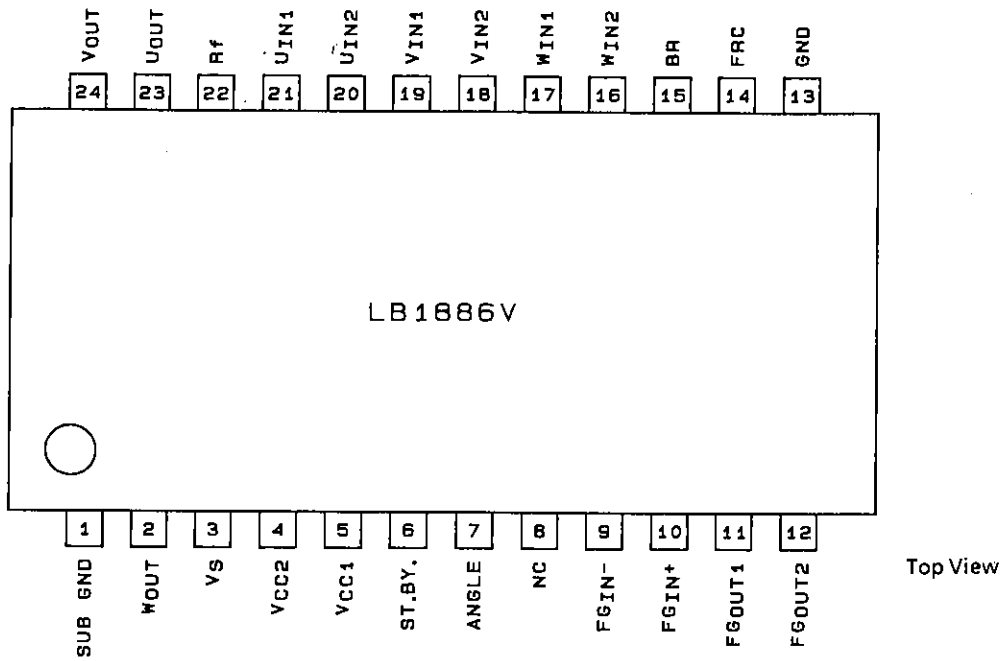
Electrical Characteristics at $T_a = 25^\circ\text{C}$, $V_{CC1} = 5\text{ V}$, $V_{CC2} = 7\text{ V}$, $V_S = 3\text{ V}$

Parameter	Symbol	Conditions	min	typ	max	Unit
Current drain 1	I_{CC1}	$V_{BR} = 5\text{ V}$		3.0	5.0	mA
Current drain 2	I_{CC2}	$V_{BR} = 5\text{ V}$		6.5	10.0	mA
Current drain 3	I_S	$V_{BR} = 5\text{ V}$, $R_L = \infty$			5.0	mA
Quiescent current 1	I_{CCOQ}	$V_{STBY} = 0\text{ V}$			100	μA
Quiescent current 2	I_{SOQ}	$V_{STBY} = 0\text{ V}$, $R_L = \infty$			150	μA
Output saturation voltage	$V_{O(sat)}$	$I_{OUT} = 0.6\text{ A}$, sink + source			1.7	V
Output transistor breakdown voltage	$V_{O(sus)}$	$I_{OUT} = 20\text{ mA}$, *2	12			V
Quiescent voltage	V_{OQ}	$V_{BR} = 5\text{ V}$	1.45	1.55	1.65	V
Hall amplifier input offset voltage	$V_{H\text{ offset}}$	*2	-5		+5	mV
Hall amplifier common mode input voltage range	V_{HCOM}		1.4		2.8	V
Hall I/O voltage gain	G_{VHO}	Range = $8.2\text{ k}\Omega$	34.5	37.5	40.5	dB
Brake pin high level voltage	V_{BRH}		2.0			V
Brake pin low level voltage	V_{BRL}				0.8	V
Brake pin input current	I_{BRIN}				120	μA
Brake pin leakage current	$I_{BR\text{ leak}}$				-30	μA
FRC pin high level voltage	V_{FRCH}		2.8			μA
FRC pin low level voltage	V_{FRCL}				1.2	μA
FRC pin input current	I_{FRIN}				100	μA
FRC pin leakage current	$I_{FR\text{ leak}}$				-30	μA
Upper side residual voltage	V_{XH}	$I_{OUT} = 100\text{ mA}$, $V_{CC2} = 6\text{ V}$, $V_S = 2\text{ V}$	0.285		0.455	V
Lower side residual voltage	V_{XL}	$I_{OUT} = 100\text{ mA}$, $V_{CC2} = 6\text{ V}$, $V_S = 2\text{ V}$	0.350		0.440	V
Residual voltage inflection point	$V_S\Delta V_X$	$I_{OUT} = 100\text{ mA}$, $V_{CC2} = 6\text{ V}$, *2		0.9		V
Overlap	OL	$V_{CC2} = 6\text{ V}$, $V_S = 3\text{ V}$, $R_L = 100\ \Omega$ (Y)	69	79	89	%
Overlap vertical delta	ΔOL	$V_{CC2} = 6\text{ V}$, $V_S = 3\text{ V}$, $R_L = 100\ \Omega$ (Y)	-10	0	+10	%
Standby on voltage	V_{STBYL}	*1	-0.2		+0.8	V
Standby off voltage	V_{STBYH}		2		5	V
Standby pin bias current	I_{STBYIN}				100	μA
Thermal protection circuit operating temperature	T_{TSD}	*2	150	180	210	$^\circ\text{C}$
Thermal protection circuit hysteresis	ΔT_{TSD}	*2		15		$^\circ\text{C}$
[FG Amplifier]						
FG amplifier input offset voltage	$V_{FG\text{ offset}}$		-8		+8	mV
Open loop voltage gain	G_{VFG}	$f = 10\text{ kHz}$		43		dB
Source output saturation voltage	$V_{FG\text{ OU}}$	$I_O = -2\text{ mA}$	3.7			V
Sink output saturation voltage	$V_{FG\text{ OD}}$	$I_O = 2\text{ mA}$			1.3	V
Common mode signal rejection ratio	GHR	*2		80		dB
FG amplifier common mode input voltage range	$V_{FG\text{ CH}}$		0		+3.5	V
Phase margin	ϕM	*2		20		deg
Schmitt amplifier threshold voltage	$V_{FGS\text{ SH}}$	$V_{FGin^+} = 2.5\text{ V}$, when V_{FGout2} goes from high to low	2.45	2.50	2.55	V
Schmitt amplifier hysteresis	$V_{FGS\text{ HIS}}$	$V_{FGin^+} = 2.5\text{ V}$	20	40	60	mV

- Note: 1. The IC goes to the standby state when the standby pin is open.
 2. These are design target values and are not measured.
 The overlap standard is taken as the test standard without change.

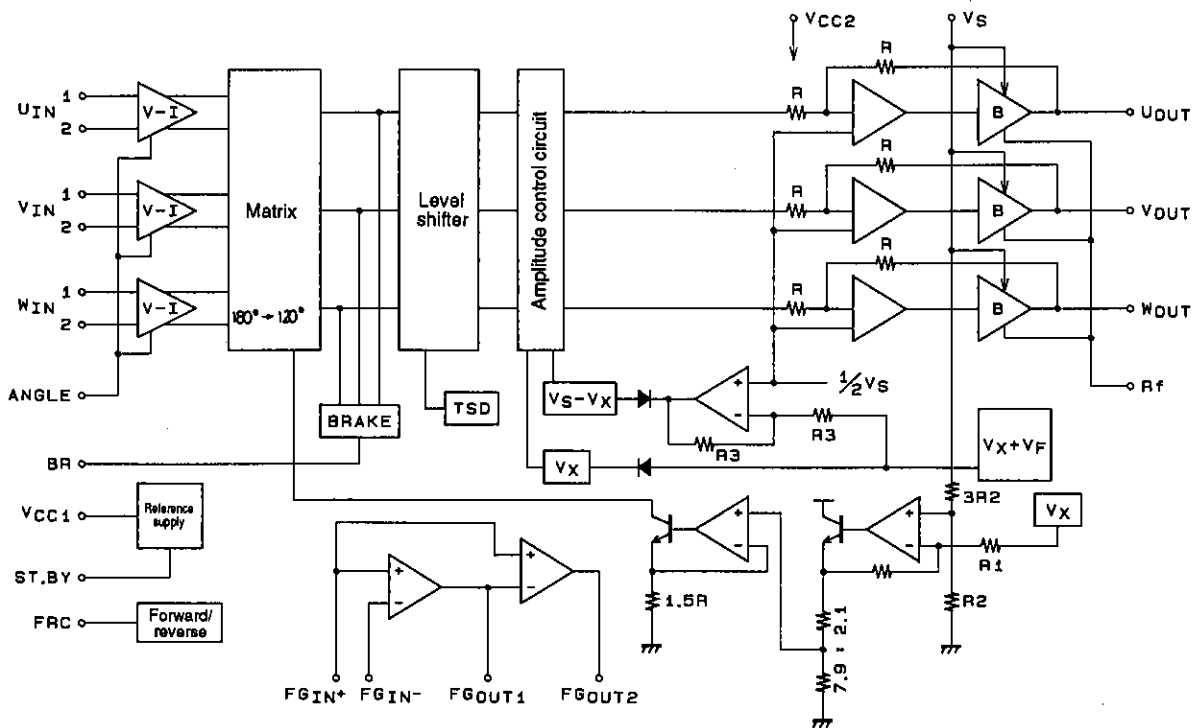
LB1886V

Pin Assignment



A02867

Internal Equivalent Circuit Block Diagram



Pin Functions

Pin No.	Symbol	Pin voltage	Equivalent circuit	Function
3	V _S	< V _{CC2}		Supply pin that determines the output amplitude. This pin must be set lower than the V _{CC2} voltage.
4	V _{CC2}	4 to 10 V		Power amplifier system power supply for transistors other than those that drive the motor. Power supply voltage for control blocks other than those provided by V _{CC1} .
5	V _{CC1}	4 to 6 V		Power supply voltage for the Hall amplifier, forward/reverse, FG amplifier, and thermal shutdown circuits
6	ST. BY	H: 2.0 V min L: 0.8 V max (when V _{CC1} is 5 V.)	<p>A03003</p>	All circuits are turned off by connecting this pin to ground or leaving it open. The current drain is about 0 μA in this mode. Apply 2.0 V or higher for motor drive operation.
7	ANGLE		<p>A03004</p>	Connect a resistor between this pin and ground. The Hall input/output gain can be changed by changing the value of this resistor.
9 10	FGin - FGin +	min 0 V max 3.5 V (when V _{CC1} is 5 V.)	<p>A03005</p>	FG signal input
11	FGout1		<p>A03006</p>	FG amplifier output

Continued on next page.

LB1886V

Continued from preceding page.

Pin No.	Symbol	Pin voltage	Equivalent circuit	Function
12	FGout2			FG Schmitt amplifier output
14	FRC	H: 2.8 V min L: 1.2 V max (when V _{CC1} is 5 V.)		Motor forward/reverse control Low level: forward (1.2 V or lower: when V _{CC1} = 5 V) High level: reverse (2.8 V or higher: when V _{CC1} = 5 V)
15	BR	H: 2.0 V min L: 0.8 V max		Motor stop control Low level: motor drive (0.8 V or lower) High level: Motor stop (2.0 V or higher)
16 17 18 19 20 21	Win2 Win1 Vin2 Vin1 Uin2 Uin1	min 1.4 V max 2.8 V (when V _{CC1} is 5 V.)		W phase Hall element input pin logic High refers to the state where W _{IN1} > W _{IN2} V phase Hall element input pin logic High refers to the state where V _{IN1} > V _{IN2} U phase Hall element input pin logic High refers to the state where U _{IN1} > U _{IN2}
22	Rf			Ground for the output transistors
23 24 2	Uout Vout Wout			Outputs
1 13	SUB GND GND			Ground for all circuits other than the output transistor

- No products described or contained herein are intended for use in surgical implants, life-support systems, aerospace equipment, nuclear power control systems, vehicles, disaster/crime-prevention equipment and the like, the failure of which may directly or indirectly cause injury, death or property loss.
- Anyone purchasing any products described or contained herein for an above-mentioned use shall:
 - ① Accept full responsibility and indemnify and defend SANYO ELECTRIC CO., LTD., its affiliates, subsidiaries and distributors and all their officers and employees, jointly and severally, against any and all claims and litigation and all damages, cost and expenses associated with such use:
 - ② Not impose any responsibility for any fault or negligence which may be cited in any such claim or litigation on SANYO ELECTRIC CO., LTD., its affiliates, subsidiaries and distributors or any of their officers and employees jointly or severally.
- Information (including circuit diagrams and circuit parameters) herein is for example only; it is not guaranteed for volume production. SANYO believes information herein is accurate and reliable, but no guarantees are made or implied regarding its use or any infringements of intellectual property rights or other rights of third parties.

This catalog provides information as of June, 1995. Specifications and information herein are subject to change without notice.