



ON Semiconductor®

<http://onsemi.com>

# LB1927

---

## Monolithic Digital IC For Office Automation Equipment 3-phase Brushless Motor Driver

### Overview

The LB1927 is a 3-phase brushless motor driver well suited for drum and paper feed motors in laser printers, plain-paper copiers and other office automation equipment. Direct PWM drive allows control with low power losses. Peripheral circuitry including speed control circuit and FG amplifier is integrated, thus allows drive circuit to be constructed with a single chip.

### Features

- 3-phase bipolar drive (30V, 2.5A)
- Direct PWM drive technique
- Built-in diode for absorbing output lower-side kickback
- Speed discriminator and PLL speed control
- Speed lock detection output
- Built-in forward/reverse switching circuit
- Built-in protection circuitry includes current limiter, overheat protection, motor restraint protection, etc.

### Specifications

#### Absolute Maximum Ratings at $T_a = 25^\circ\text{C}$

Parameter	Symbol	Conditions	Ratings	Unit
Maximum supply voltage	$V_{CC \text{ max}}$		30	V
Maximum output current	$I_O \text{ max}$	$T \leq 500\text{ms}$	2.5	A
Allowable power dissipation 1	$P_d \text{ max 1}$	Independent IC	3	W
Allowable power dissipation 2	$P_d \text{ max 2}$	With an arbitrary large heat sink	20	W
Operating temperature	$T_{opr}$		-20 to +80	$^\circ\text{C}$
Storage temperature	$T_{stg}$		-55 to +150	$^\circ\text{C}$

Stresses exceeding Maximum Ratings may damage the device. Maximum Ratings are stress ratings only. Functional operation above the Recommended Operating Conditions is not implied. Extended exposure to stresses above the Recommended Operating Conditions may affect device reliability.

# LB1927

## Allowable Operating Ranges at $T_a = 25^\circ\text{C}$

Parameter	Symbol	Conditions	Ratings	Unit
Power supply voltage range 1	$V_{CC}$		9.5 to 28	V
Regulator voltage output current	$I_{REG}$		-30 to 0	mA
LD output current	$I_{LD}$		0 to 15	mA

## Electrical Characteristics at $T_a = 25^\circ\text{C}$ , $V_{CC} = V_M = 24\text{V}$

Parameter	Symbol	Conditions	Ratings			Unit
			min	typ	max	
Power supply current 1	$I_{CC1}$			23	30	mA
Power supply current 2	$I_{CC2}$	In STOP mode		3.5	5.0	mA
<b>Output</b>						
Output saturation voltage 1	$V_{Osat1}$	$I_O = 1.0\text{A}$ , $V_O$ (SINK) + $V_O$ (SOURCE)		2.0	2.5	V
Output saturation voltage 2	$V_{Osat2}$	$I_O = 2.0\text{A}$ , $V_O$ (SINK) + $V_O$ (SOURCE)		2.6	3.2	V
Output leak current	$I_{Oleak}$				100	$\mu\text{A}$
Lower-side diode forward voltage 1	$V_{D1}$	$I_D = -1.0\text{A}$		1.2	1.5	V
Lower-side diode forward voltage 2	$V_{D2}$	$I_D = -2.0\text{A}$		1.5	2.0	V
<b>5V regulator voltage output</b>						
Output voltage	$V_{REG}$	$I_O = -5\text{mA}$	4.65	5.00	5.35	V
Voltage fluctuation	$\Delta V_{REG1}$	$V_{CC} = 9.5$ to $28\text{V}$		30	100	mV
Load fluctuation	$\Delta V_{REG2}$	$I_O = -5$ to $-20\text{mA}$		20	100	mV
<b>Hall amplifier</b>						
Input bias current	$I_{HB}$		-2	-0.5		$\mu\text{A}$
Common mode input voltage range	$V_{ICM}$		1.5		$V_{REG}-1.5$	V
Hall input sensitivity			80			mVp-p
Hysteresis width	$\Delta V_{IN}$		15	24	42	mV
Input voltage L→H	$V_{SLH}$			12		mV
Input voltage H→L	$V_{SHL}$			-12		mV
<b>PWM oscillator</b>						
Output High level voltage	$V_{OH}$ (PWM)		2.5	2.8	3.1	V
Output Low level voltage	$V_{OL}$ (PWM)		1.2	1.5	1.8	V
Oscillator frequency	$F$ (PWM)	$C = 3900\text{pF}$		18		kHz
Amplitude	$V$ (PWM)		1.05	1.30	1.55	Vp-p
<b>CSD circuit</b>						
Operating voltage	$V_{OH}$ (CSD)		3.6	3.9	4.2	V
External capacitance charge current	$I_{CHG}$		-17	-12	-9	$\mu\text{A}$
Operating time	$T$ (CSD)	$C = 10\mu\text{F}$ Design target value		3.3		s
<b>Current limiter operation</b>						
Limiter	$V_{RF}$	$V_{CC}-V_M$	0.45	0.5	0.55	V
<b>Thermal shutdown operation</b>						
Thermal shutdown operating temperature	$T_{SD}$	Design target value (junction temperature)	150	180		$^\circ\text{C}$
Hysteresis width	$\Delta T_{SD}$	Design target value (junction temperature)		50		$^\circ\text{C}$
<b>FG amplifier</b>						
Input offset voltage	$V_{IO}$ (FG)		-10		+10	mV
Input bias current	$I_B$ (FG)		-1		+1	$\mu\text{A}$
Output High level voltage	$V_{OH}$ (FG)	$I_{FGO} = -0.2\text{mA}$	$V_{REG}-1.2$	$V_{REG}-0.8$		V
Output Low level voltage	$V_{OL}$ (FG)	$I_{FGO} = 0.2\text{mA}$		0.8	1.2	V
FG input sensitivity		GAIN 100 times	3			mV
Next-stage Schmitt comparator width		Design target value	100	180	250	mV
Operation frequency range					2	kHz
Open-loop gain		$f$ (FG) = 2kHz	45	51		dB

Continued on next page.

# LB1927

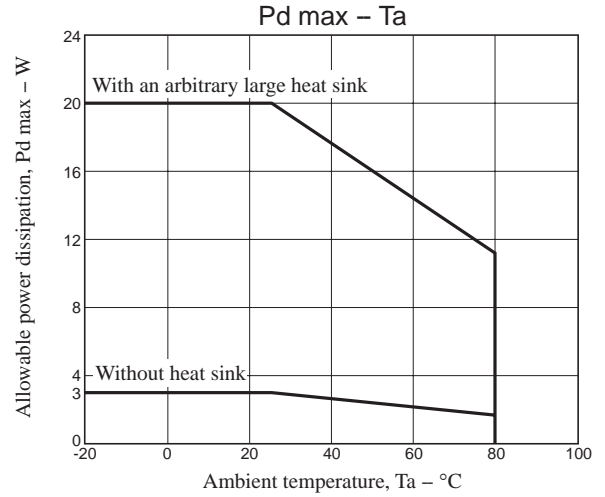
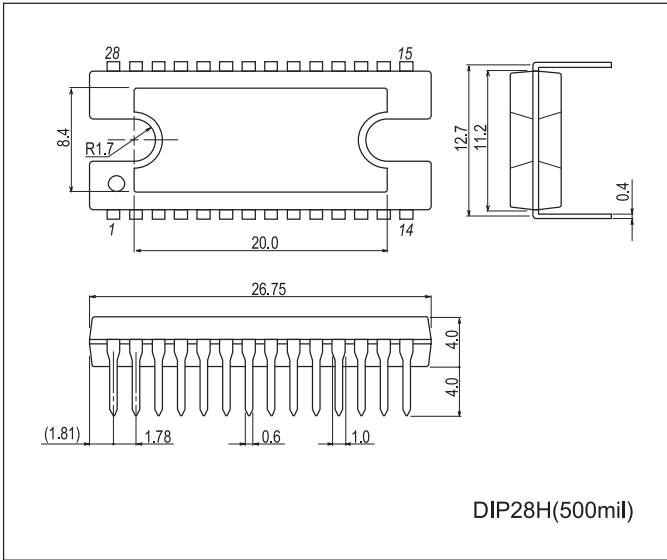
Continued from preceding page.

Parameter	Symbol	Conditions	Ratings			Unit
			min	typ	max	
<b>Speed discriminator</b>						
Output High level voltage	$V_{OH}$ (D)	IDO = -0.1mA	VREG-1.0	VREG-0.7		V
Output Low level voltage	$V_{OL}$ (D)	IDO = 0.1mA		0.8	1.1	V
Count number				512		
<b>PLL output</b>						
Output High level voltage	$V_{OH}$ (P)	IPO = -0.1mA	VREG-1.8	VREG-1.5	VREG-1.2	V
Output Low level voltage	$V_{OL}$ (P)	IPO = 0.1mA	1.2	1.5	1.8	V
<b>Lock detection</b>						
Output Low level voltage	$V_{OL}$ (LD)	ILD = 10mA		0.15	0.5	V
Lock range				6.25		%
<b>Integrator</b>						
Input bias current	IB (INT)		-0.4		+0.4	$\mu$ A
Output High level voltage	$V_{OH}$ (INT)	I <sub>INTO</sub> = -0.2mA	VREG-1.2	VREG-0.8		V
Output Low level voltage	$V_{OL}$ (INT)	I <sub>INTO</sub> = 0.2mA		0.8	1.2	V
Open-loop gain		f (INT) = 1kHz	45	51		dB
Gain bandwidth product		Design target value		450		kHz
Reference voltage		Design target value	-5%	VREG/2	5%	V
<b>Crystal oscillator</b>						
Operating frequency range	$f_{OSC}$		3		10	MHz
Low level pin voltage	$V_{OSCL}$	I <sub>OSC</sub> = -0.5mA		1.65		V
High level pin current	I <sub>OSCH</sub>	$V_{OSC} = V_{OSCL} + 0.3V$		0.4		mA
<b>Start/stop pin</b>						
High level input voltage range	$V_{IH}$ (S/S)		3.5		VREG	V
Low level input voltage range	$V_{IL}$ (S/S)		0		1.5	V
Input open voltage	$V_{IO}$ (S/S)		VREG-0.5		VREG	V
Hysteresis width	$\Delta V_{IN}$		0.35	0.50	0.65	V
High level input current	I <sub>IH</sub> (S/S)	V (S/S) = VREG	-10	0	10	$\mu$ A
Low level input current	I <sub>IL</sub> (S/S)	V (S/S) = 0V	-280	-210		$\mu$ A
<b>Forward/reverse pin</b>						
High level input voltage range	$V_{IH}$ (F/R)		3.5		VREG	V
Low level input voltage range	$V_{IL}$ (F/R)		0		1.5	V
Input open voltage	$V_{IO}$ (F/R)		VREG-0.5		VREG	V
Hysteresis width	$\Delta V_{IN}$		0.35	0.50	0.65	V
High level input current	I <sub>IH</sub> (F/R)	V (F/R) = VREG	-10	0	+10	$\mu$ A
Low level input current	I <sub>IL</sub> (F/R)	V (F/R) = 0V	-280	-210		$\mu$ A

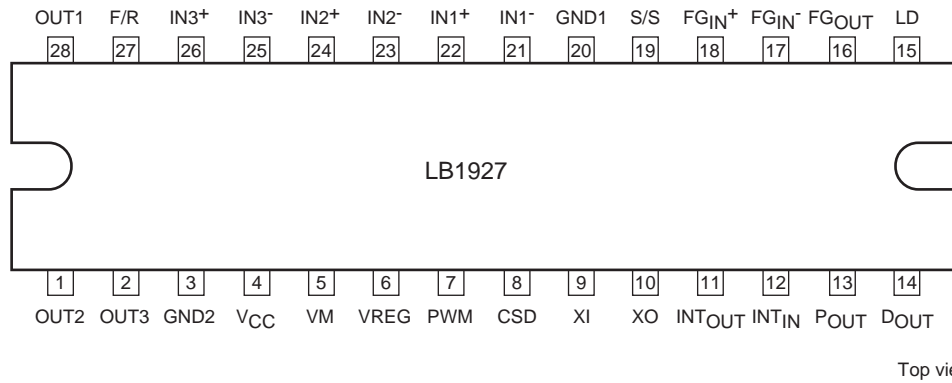
# LB1927

## Package Dimensions

unit : mm (typ)  
3147C



## Pin Assignment



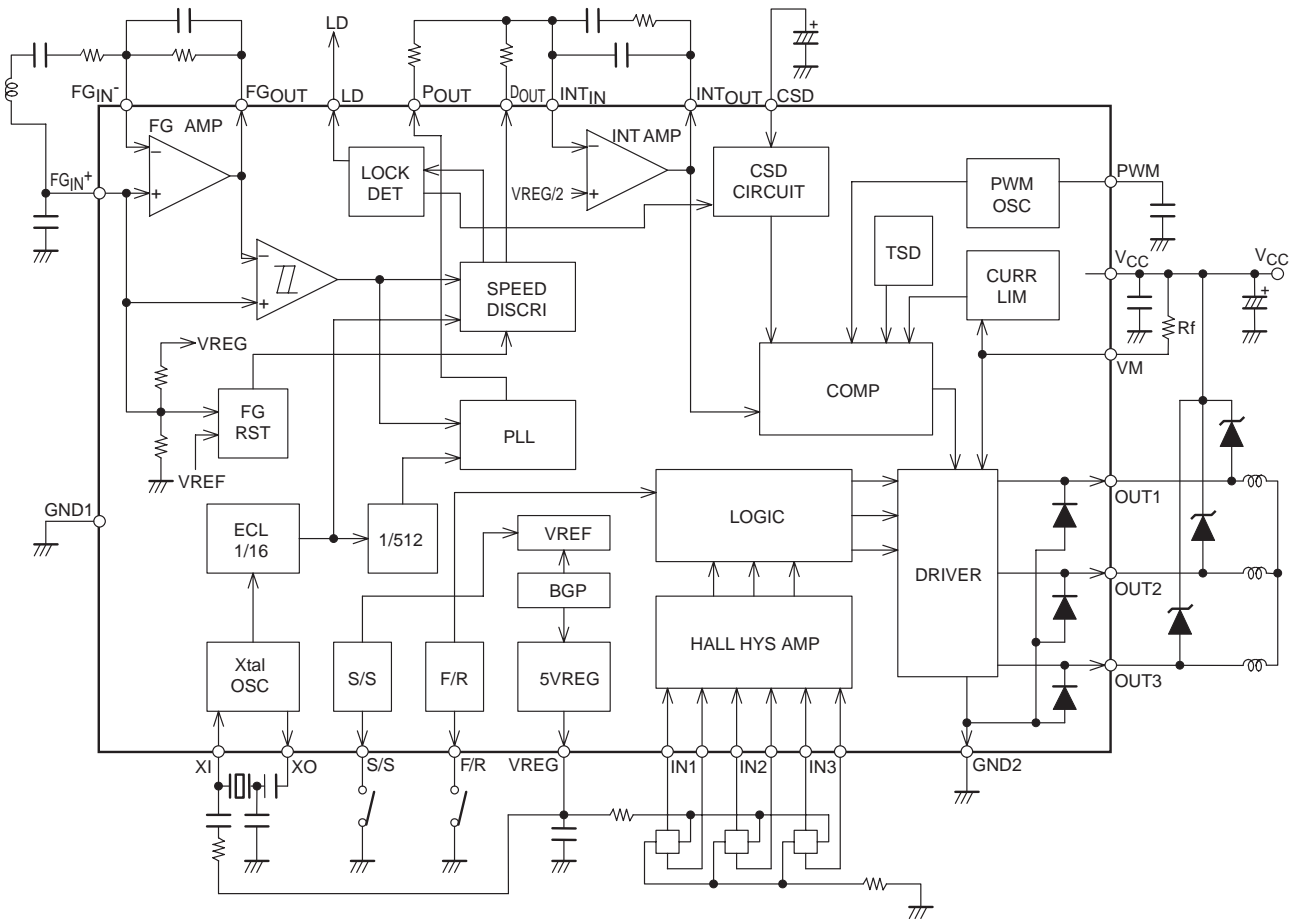
Relationship between crystal oscillator frequency  $f_{OSC}$  and FG frequency  $f_{FG}$  is as follows.  
 $f_{FG}(\text{servo}) = f_{OSC} / (\text{ECL divide-by-}16 \times \text{count number})$   
 $= f_{OSC} / 8192$

## Truth Table

	Source Sink	F/R = "L"			F/R = "H"		
		IN1	IN2	IN3	IN1	IN2	IN3
1	OUT2→OUT1	H	L	H	L	H	L
2	OUT3→OUT1	H	L	L	L	H	H
3	OUT3→OUT2	H	H	L	L	L	H
4	OUT1→OUT2	L	H	L	H	L	H
5	OUT1→OUT3	L	H	H	H	L	L
6	OUT2→OUT3	L	L	H	H	H	L

# LB1927

## Block Diagram and Sample Application Circuit



Pin Description

Pin No.	Pin name	Pin function	Equivalent circuit
28 1 2	OUT1 OUT2 OUT3	Motor drive output pins. Connect a Schottky diode between these outputs and V <sub>CC</sub> .	
3	GND2	Output ground pin.	
5	VM	Output block power supply and output current detection pin. Connect a resistor (R <sub>f</sub> ) between this pin and V <sub>CC</sub> to detect the output current as a voltage. The output current is limited according to the equation $I_{OUT} = V_{RF}/R_f$ .	
4	V <sub>CC</sub>	Power supply pin (except for output block).	
6	VREG	Regulated power supply output pin (5V output). Connect a capacitor (approx. 0.1μF) between this pin and ground to stabilize the output.	
7	PWM	PWM frequency setting pin. Connect a capacitor between this pin and ground. $C = 3900\text{pF}$ results in a frequency of about 18kHz.	
8	CSD	Lock protection circuit operation time setting pin. Connecting a capacitor of about 10μF between this pin and ground results in a protection circuit operation time of about 3.3 seconds.	
9 10	XI XO	Crystal oscillator pins. Connect to quartz oscillator to generate the reference clock. When an external clock (of several MHz) is used, the clock signal should be input via a resistor of about 5.1kΩ connected in series with the XI pin. In this case, the XO pin must be left open.	

Continued on next page.

# LB1927

Continued from preceding page.

Pin No.	Pin name	Pin function	Equivalent circuit
11	INT <sub>OUT</sub>	Integrator output pin (speed control pin).	<p>VREG</p> <p>PWM comparator</p> <p>40kΩ</p> <p>11</p>
12	INT <sub>IN</sub>	Integrator input pin.	<p>VREG</p> <p>300Ω</p> <p>12</p>
13	P <sub>OUT</sub>	PLL output pin.	<p>VREG</p> <p>300Ω</p> <p>13</p>
14	D <sub>OUT</sub>	Speed discriminator output pin. Acceleration : High, Deceleration : Low	<p>VREG</p> <p>300Ω</p> <p>14</p>
15	LD	Speed lock detection pin. When motor rotation is within lock range ( $\pm 6.25\%$ ) : Low Withstand voltage : 30V max.	<p>VREG</p> <p>15</p>

Continued on next page.

# LB1927

Continued from preceding page.

Pin No.	Pin name	Pin function	Equivalent circuit
16	FGOUT	FG amplifier output pin.	<p>FG schmitt comparator</p>
17 18	FGIN <sup>-</sup> FGIN <sup>+</sup>	FG amplifier input pin. By connecting a capacitor (approx. 0.1μF) between FGIN <sup>+</sup> and ground, the logic circuitry is reset.	<p>FG reset circuit</p>
19	S/S	Start/stop control pin. Start (Low) : 0V to 1.5V Stop (High) : 3.5V to VREG High when open. Hysteresis width : approx. 0.5V.	
20	GND1	Ground pin (except for output block).	
22 21 24 23 26 25	IN1 <sup>+</sup> IN1 <sup>-</sup> IN2 <sup>+</sup> IN2 <sup>-</sup> IN3 <sup>+</sup> IN3 <sup>-</sup>	Hall input pins. High when IN <sup>+</sup> > IN <sup>-</sup> , Low when IN <sup>+</sup> < IN <sup>-</sup> . Hall signal should have an amplitude of at least 100mVp-p (differential operation). When Hall signal noise is a problem, connect a capacitor between IN <sup>+</sup> and IN <sup>-</sup> .	
27	F/R	Forward/reverse control pin. Forward (Low) : 0V to 1.5V Reverse (High) : 3.5V to VREG High when open. Hysteresis width : approx. 0.5V.	



**Description of the LB1927**

1. Speed control circuit

The IC performs speed control through combined use of a speed discrimination circuit and PLL circuit. The speed control circuit counts FG cycles and outputs a deviation signal every 2FG cycles. The PLL circuit outputs a phase deviation signal every FG cycle.

The FG servo frequency is determined by the following equation. The motor rotation speed is set by the number of FG pulses and the crystal oscillator frequency.

$$f_{FG} (\text{servo}) = f_{OSC} / 8192$$

f<sub>OSC</sub> : Crystal oscillator frequency

2. Output drive circuit

In order to reduce power loss at the output, the LB1927 uses the PWM drive technique. While ON, the output transistors are always saturated, and motor drive power is adjusted by varying the output ON duty ratio. Because output PWM switching is performed by the lower-side output transistor, a Schottky diode must be connected between OUT and V<sub>CC</sub>. (If the reverse recovery time of the diode is too long, a feedthrough current will flow at the instant when the lower-side transistor goes ON.) An internal diode is provided between OUT and GND. If large output current causes a problem (waveform distortion during lower-side kickback, etc.), an external rectifying diode or Schottky diode should be connected.

The output diode is integrated only on the lower side.

3. Current limiting circuit

The current limiting circuit limits the peak current to the value  $I = V_{RF} / R_f$  ( $V_{RF} = 0.5V$  typ.,  $R_f$  : current detector resistance). Current limiting is achieved by reducing the ON duty ratio of the output, which reduces the current.

4. Power save circuit

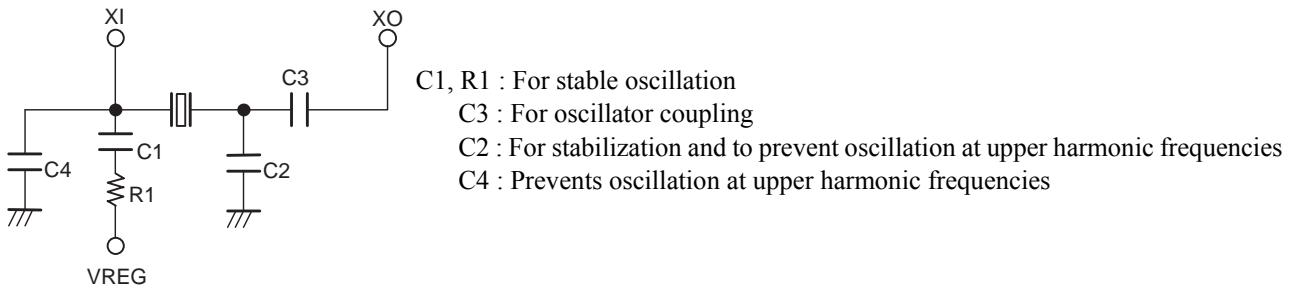
In order to reduce current drain in the STOP condition, the IC goes into power save mode. In this condition, bias current to most circuits is cut off, but the 5V regulator output remains active.

5. Reference clock

The reference clock for speed control can be input using one of the following two methods.

(1) Using a crystal oscillator

When a crystal is used for oscillation, connect the crystal, capacitors, and a resistor as shown in the figure below.



(Reference values)

Oscillator frequency (MHz)	C1 (μF)	C2 (pF)	C3 (pF)	C4 (pF)	R1 (Ω)
3 to 5	0.1	15	47	10	330k
5 to 8	0.1	10	47	None	330k
8 to 10	0.1	10	22	None	330k

The circuit configuration and values are for reference only. The crystal oscillator's characteristics as well as the possibility of floating capacitance and noise due to layout factors must be taken into consideration when designing an actual application.

[Precautions for wiring layout design]

Since the crystal oscillator circuit operates at high frequencies, it is susceptible to the influence of floating capacitance from the circuit board. Wiring should be kept as short as possible and traces should be kept narrow. When designing the external circuitry, pay special attention to the wiring layout between the oscillator and C3 (C2), to minimize the influence of floating capacitance. The capacitor C4 is quite effective at reducing the negative resistance (gain) at high frequencies. However, care is required to avoid excessive reduction in the negative resistance at the fundamental frequency.

(2) External clock input (equivalent to crystal oscillator, several MHz)

When using an external signal source instead of a crystal oscillator, the clock signal should be input from the XI pin through a resistor of about 5.1kΩ connected to the pin in series. The XO pin should be left open. Signal input level

Low : 0 to 0.8V

High : 2.5 to 5.0V

6. Speed lock range

The speed lock range is ±6.25% of the rated speed. When the motor rotation is within the lock range, the LD pin becomes Low (open collector output). When the motor rotation goes out of the lock range, the ON duty ratio of the motor drive output is varied according to the amount of deviation to bring the rotation back into the lock range.

7. PWM frequency

The PWM frequency is determined by the capacitance connected to the PWM pin.

$$f_{\text{PWM}} \approx 1 / (14400 \times C)$$

PWM frequency in the range 15 to 25kHz is desirable. The ground side of the connected capacitor must be connected to the GND1 pin with a lead that is as short as possible.

8. Hall input signal

The Hall input requires a signal with an amplitude of at least the hysteresis width (42mV max.). Taking possible noise influences into consideration, an amplitude of at least 100mV is desirable. If noise during output phase switching disrupts the output waveform, insert capacitors across the Hall signal inputs (between the + and - inputs), and position those capacitors as close as possible to the pins.

9. Forward/reverse switching

Forward/reverse switching of motor rotation is carried out with the F/R pin. If this is performed while the motor is running, the following points must be observed :

- Feedthrough current during switching is handled by proper circuit design. However, the V<sub>CC</sub> voltage rise during switching (caused by momentary return of motor current to power supply) must not exceed the rated voltage (30V). If problems occur, the capacitance between V<sub>CC</sub> and GND must be increased.
- If the motor current after switching exceeds the current limiter value, the lower-side transistors go OFF but the upper-side transistors go into the short brake state, which causes a current flow. The magnitude of the current is determined by the motor counterelectromotive voltage and the coil resistance. This current may not exceed the rated current (2.5A). (Forward/reverse switching at high speed therefore is not safe.)

10. Motor restraint protection circuit

To protect the IC and the motor itself when rotation is inhibited, a restraint protection circuit is provided. If the LD output is High (unlocked) for a certain interval in the start condition, the lower-side transistors are turned off. The length of the interval is determined by the capacitance at the CSD pin. A capacitance of 10μF results in a set interval of about 3.3 seconds. (Tolerance approx. ±30%)

$$\text{Set interval (s)} \approx 0.33 \times C (\mu\text{F})$$

If the capacitor arrangement is subject to leak current, possible adverse effects such as setting time tolerances must be taken into consideration.

When the restraint protection circuit has been activated, the condition can only be canceled by setting the system to the stop condition or by turning the power off and on again (in the stop condition). When wishing not to use the restraint protection circuit, connect the CSD pin to ground.

If the stop time when releasing the restraint protection is short, the capacitor charge will not be fully dissipated. This in turn will cause a shorter restraint protection activation time after the motor has been restarted. The stop time should therefore be designed to be sufficiently long, using the equation shown below (also when restarting in the motor start transient state).

$$\text{Stop time (ms)} \geq 15 \times C (\mu\text{F})$$

### 11. Power supply stabilization

Because this IC provides a high output current and uses a switching drive technique, power supply line fluctuations can occur easily. Therefore, a capacitor of sufficient capacitance (several ten  $\mu\text{F}$  or higher) must be connected between the VCC pin and ground to assure stable operation. The ground connection of this capacitor must be connected to the GND2 pin, which is the power block ground, at a point as close as possible to the IC. If, due to problems associated with the heat sink, the (electrolytic) capacitor cannot be connected near the this pin, a ceramic capacitor of about 0.1 $\mu\text{F}$  must be connected near the pin.

Since the likelihood of power line fluctuation increases if diodes are inserted in the power supply lines to prevent destruction of the IC if power is connected with reverse polarity, a larger capacitance will be required.

### 12. VREG stabilization

A capacitor (about 0.1 $\mu\text{F}$ ) must be connected to the VREG pin (the 5V regulator output), which functions as the control circuit power supply, for stabilization. The ground side of this capacitor must be connected to the GND1 pin with a lead that is as short as possible.

### 13. Integrating amplifier related component values

The external components used in the integrating amplifier must be located as close as possible to the IC to minimize the circuit's susceptibility to noise. These components must be located as far as possible from the motor.

ON Semiconductor and the ON logo are registered trademarks of Semiconductor Components Industries, LLC (SCILLC). SCILLC owns the rights to a number of patents, trademarks, copyrights, trade secrets, and other intellectual property. A listing of SCILLC's product/patent coverage may be accessed at [www.onsemi.com/site/pdf/Patent-Marking.pdf](http://www.onsemi.com/site/pdf/Patent-Marking.pdf). SCILLC reserves the right to make changes without further notice to any products herein. SCILLC makes no warranty, representation or guarantee regarding the suitability of its products for any particular purpose, nor does SCILLC assume any liability arising out of the application or use of any product or circuit, and specifically disclaims any and all liability, including without limitation special, consequential or incidental damages. "Typical" parameters which may be provided in SCILLC data sheets and/or specifications can and do vary in different applications and actual performance may vary over time. All operating parameters, including "Typicals" must be validated for each customer application by customer's technical experts. SCILLC does not convey any license under its patent rights nor the rights of others. SCILLC products are not designed, intended, or authorized for use as components in systems intended for surgical implant into the body, or other applications intended to support or sustain life, or for any other application in which the failure of the SCILLC product could create a situation where personal injury or death may occur. Should Buyer purchase or use SCILLC products for any such unintended or unauthorized application, Buyer shall indemnify and hold SCILLC and its officers, employees, subsidiaries, affiliates, and distributors harmless against all claims, costs, damages, and expenses, and reasonable attorney fees arising out of, directly or indirectly, any claim of personal injury or death associated with such unintended or unauthorized use, even if such claim alleges that SCILLC was negligent regarding the design or manufacture of the part. SCILLC is an Equal Opportunity/Affirmative Action Employer. This literature is subject to all applicable copyright laws and is not for resale in any manner.