

# Magnetic Contact

## Part No. LC-12

### Description

Magnetic contact is a proximity switch what is used magnetic field of magnet to actuate Reed Switch. Because of design in Reed Switch, low cost and simple using-way is major characteristics of magnetic contact.

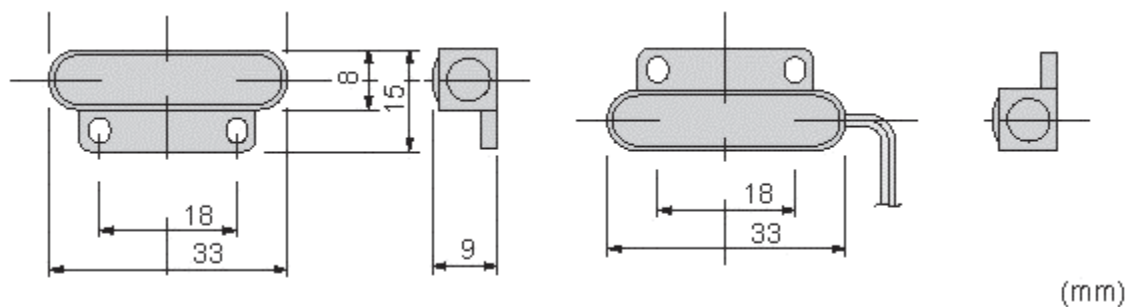
### Application

- Security equipment
- domestic appliances
- automation machines

### Feature

- New design – perfect for all small application
- Removable flange for limited space installation
- Hermetically sealed
- Screw mount or self- stick – both options provided for
- Available in closed loop and open loop

### Outline dimensions



## Magnetic Contact

### Part No. LC-12

#### Switch

Contact arrangement	Closed loop
Switching voltage (Max.)	100v AC / DC
Switching current (Max.)	0.5 A
Contact capacity (Max.)	10 VA
Initial contact (Max.)	0.2 Ohm
Carry current (Max.)	1A
Breakdown voltage	200 VDC
Insulation resistance (Min.)	100 Mohm
Switch cycle	$5 \times 10^7$ cycle at 30.V 0.1 ADC

#### Magnet

Material	NdFeB rare earth
Residual flux density (Br)	11.8~12.5 KGauss
Maximun energy product (BH) max.	33~36 MG.Oe
Curie temperature (Tc)	310°C

#### Gap

Sense gap (Min.)	16mm
------------------	------

#### Physical characteristic

Temperature	-20°C ~+60°C
Vibration	20 G(10~55 HZ)
Shock	30 G (11 msec)
Heat shock	-25°C ~+65°C (30min) (30min) 100 cycle
Package drop	Drop height 80 cm
Humidity	80°C 95% RH 72 hrs