

Magnetic Contact

Part No. LC-73

Description

Magnetic contact is a proximity switch what is used magnetic field of magnet to actuate Reed Switch. Because of design in Reed Switch, low cost and simple using-way is major characteristics of magnetic contact.

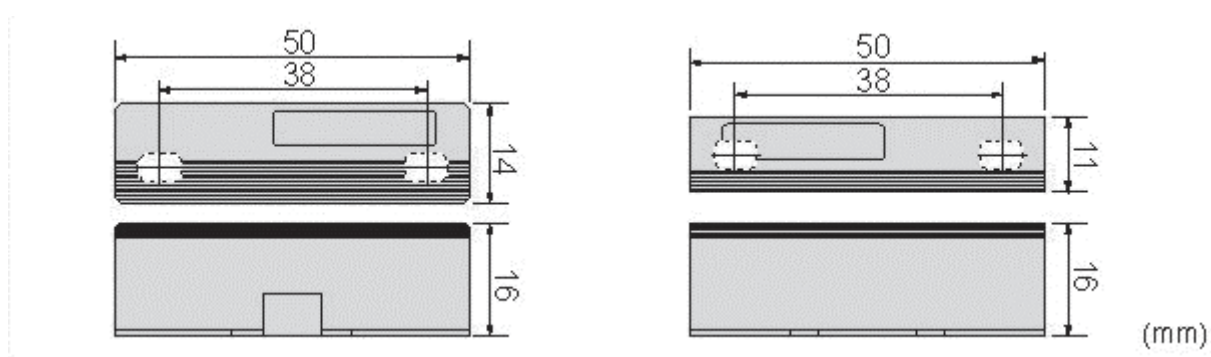
Application

- Security equipment
- domestic appliances
- automation machines

Feature

- Regular gap up to 25mm
- L terminals insure a quick and trouble free connection
- Surface mount / screw terminals

Outline dimensions



Magnetic Contact

Part No. LC-73

Switch

Contact arrangement	Closed loop
Switching voltage (Max.)	100v AC/DC
Switching current (Max.)	0.5 A
Contact capacity (Max.)	10 VA
Initial contact (Max.)	0.2 Ohm
Carry current (Max.)	1 A
Breakdown voltage	200 VDC
Insulation resistance (Min.)	100 Mohm
Switch cycle	5×10 ⁷ cycle at 30V 0.1ADC

Magnet

Material	Anisotropic ferrite
Residual flux density (Br)	3300~3600 Gauss
Maximun energy product (BH) (Max.)	2.5~3.5 MG.Oe
Curie temperature (Tc)	450°C

Gap

Sense gap (Min.)	25mm
------------------	------

Physical characteristic

Temperature	-20°C ~+60°C
Vibration	20 G(10~55 HZ)
Shock	30 G (11 msec)
Heat shock	-25°C ~+65°C (30Min.) (30Min.) 100 cycle
Package drop	Drop height 80 cm
Humidity	80°C 95% RH 72 hrs