

POWR-BLOKS™ Distribution/Splicer Blocks and Covers



NEW



POWR-BLOKS power distribution blocks offer a safe, convenient way of splicing cables, providing a fixed junction tap-off point or splitting primary power into secondary circuits. LX2XXX-DIN series offers integral DIN-Rail mount and an optional hinged safety cover.

APPLICATIONS

Typical applications include heating, air conditioning and refrigeration systems, elevator systems, material handling equipment, control panels, motor controls, switchgear, and anywhere power needs to be distributed to more than one load.

CONNECTORS

Box lug connectors are designed for use with a single, solid or class B or C stranded conductor. Use of more than one conductor per connector opening or use of extra-flexible, fine stranded conductors, such as welding cable, voids the UL Listing, and may cause overheating. Manufacturers of cable terminations can furnish crimp-on sleeves for fine stranded conductors which permit these conductors to be used with box lugs.

SPECIFICATIONS

Voltage Rating: 600V

Amperage: Based on NEC Table 310.16, using 75°C copper wire

Material: Phenolic rated at 150°C and Thermoplastic rated at 125°C (LD1400 and LS1300 series only)

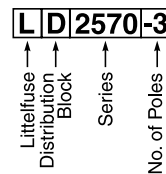
Connector: Standard: Highly conductive aluminum, tin plated
Copper: Highly conductive copper, tin plated

Flammability Rating: 94V-0

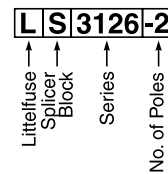
Approvals: UL Recognized (File No. E171395)
CSA Certified (File No. LR700111)

ORDERING INFORMATION

**Distribution Block
Example Part No.**



**Splicer Block
Example Part No.**



AMPERE RATINGS

The ampere rating per pole for power distribution blocks is based on the line ampacity of 75° C insulated conductors per NEC Table 310.16. If 60° C insulated conductors are used, load must not exceed the ampacity of 60° C conductors. Use of conductors rated in excess of 75° C is permitted (for example 90° C), however, load must not exceed the ampacity of 75° C conductors.

Blocks And Holders

Distribution Block Covers

NEW



Clear Plastic Covers

Littelfuse Part Number	For use with Power Distribution Block No.
LPBC0-2	LX0XXX-2
LPBC0-3	LX0XXX-3
LPBC2-1	LX2XXX-1
LPBC2-2	LX2XXX-2
LPBC2-3	LX2XXX-3
LPBC3-1	LX3XXX-1
LPBC3-2	LX3XXX-2
LPBC3-3	LX3XXX-3
LPBC4-1	LX4XXX-1
LPBC4-2	LX4XXX-2
LPBC4-3	LX4XXX-3
LPBC5-1	LX5XXX-1
LPBC5-2	LX5XXX-2
LPBC5-3	LX5XXX-3

Hinged Covers

Littelfuse Part Number	For use with Power Distribution Block No.
LCH132-1	LX2XXX-1DIN
LCH132-2	LX2XXX-2DIN
LCH132-3	LX2XXX-3DIN

Littelfuse's power distribution block covers provide protection against accidental shorting between poles caused by loose wires, tools, or other conductive material. They also protect personnel from accidentally contacting energized connectors. Clear plastic covers are available for most blocks. New LX2XXX-DIN series blocks offer a hinged cover.

POWR-BLOKS™ Distribution/Splicer Blocks and Covers

Distribution Block Selection Guide

Mat'l	Connector Configuration		Amp Rating per Pole	Number of Poles	Line		Load		Figure	Littelfuse Catalog Number	
	Line	Load			Wire Range	Openings per Pole	Wire Range	Openings per Pole			
AL			115	1	#2 - #14	1	#10 - #18	4	2	LD1400-1	
			115	2	#2 - #14	1	#10 - #18	4	2	LD1400-2	
			115	3	#2 - #14	1	#10 - #18	4	2	LD1400-3	
			115	4	#2 - #14	1	#10 - #18	4	2	LD1400-4	
AL			175	2	2/0 - #14	1	#4 - #14	6	1	LD0401-2	
			175	3	2/0 - #14	1	#4 - #14	6	1	LD0401-3	
AL			175	2	2/0 - #14	1	#4 - #14	4	1	LD0402-2	
			175	3	2/0 - #14	1	#4 - #14	4	1	LD0402-3	
AL			310	2	350mcm - #6	1	#4 - #14	6	1	LD0404-2	
			310	3	350mcm - #6	1	#4 - #14	6	1	LD0404-3	
AL			175	1	2/0 - #14	1	#4 - #14	4	3	LD2570-1	
			175	2	2/0 - #14	1	#4 - #14	4	3	LD2570-2	
			175	3	2/0 - #14	1	#4 - #14	4	3	LD2570-3	
CU			175	1	2/0 - #14	1	#4 - #14	4	3	LD2970-1	
			175	2	2/0 - #14	1	#4 - #14	4	3	LD2970-2	
			175	3	2/0 - #14	1	#4 - #14	4	3	LD2970-3	
AL			335	1	400mcm - #6	1	#2 - #14	4	5	LD3552-1	
			335	2	400mcm - #6	1	#2 - #14	4	5	LD3552-2	
			335	3	400mcm - #6	1	#2 - #14	4	5	LD3552-3	
AL			335	1	400mcm - #6	1	#2 - #14	6	5	LD3553-1	
			335	2	400mcm - #6	1	#2 - #14	6	5	LD3553-2	
			335	3	400mcm - #6	1	#2 - #14	6	5	LD3553-3	
AL			350	1	2/0 - #14	2	#4 - #14	6	5	LD3555-1	
			350	2	2/0 - #14	2	#4 - #14	6	5	LD3555-2	
			350	3	2/0 - #14	2	#4 - #14	6	5	LD3555-3	
CU			380	1	500mcm - #4	1	#2 - #14	6	5	LD3953-1	
			380	2	500mcm - #4	1	#2 - #14	6	5	LD3953-2	
			380	3	500mcm - #4	1	#2 - #14	6	5	LD3953-3	
CU			350	1	2/0 - #14	2	#4 - #14	6	5	LD3955-1	
			350	2	2/0 - #14	2	#4 - #14	6	5	LD3955-2	
			350	3	2/0 - #14	2	#4 - #14	6	5	LD3955-3	
AL			380	1	500mcm - #4	1	#2 - #14	6	6	LD4551-1	
			380	2	500mcm - #4	1	#2 - #14	6	6	LD4551-2	
			380	3	500mcm - #4	1	#2 - #14	6	6	LD4551-3	
AL			335	1	400mcm - #6	1	#2 - #14	8	6	LD4560-1	
			335	2	400mcm - #6	1	#2 - #14	8	6	LD4560-2	
			335	3	400mcm - #6	1	#2 - #14	8	6	LD4560-3	
AL			380	1	500mcm - #4	1	#2 - #14	12	7	LD5552-1	
			380	2	500mcm - #4	1	#2 - #14	12	7	LD5552-2	
			380	3	500mcm - #4	1	#2 - #14	12	7	LD5552-3	
AL			380	1	500mcm - #4	1	2/0 - #14	6	7	LD5579-1	
			380	2	500mcm - #4	1	2/0 - #14	6	7	LD5579-2	
			380	3	500mcm - #4	1	2/0 - #14	6	7	LD5579-3	
AL			760	1	500mcm - #4	2	2/0 - #14	8	7	LD5586-1	
			760	2	500mcm - #4	2	2/0 - #14	8	7	LD5586-2	
			760	3	500mcm - #4	2	2/0 - #14	8	7	LD5586-3	
AL			665	1	500mcm - #4 350mcm - #6	1 1	2/0 - #14	4	7	LD5587-1	
			665	2	500mcm - #4 350mcm - #6	1 1	2/0 - #14	4	7	LD5587-2	
			665	3	500mcm - #4 350mcm - #6	1 1	2/0 - #14	4	7	LD5587-3	



POWR-BLOKS™ Distribution/Splicer Blocks and Covers

Distribution Block Selection Guide

Mat'l	Connector Configuration		Amp Rating per Pole	Number of Poles	Line		Load		Figure	Littelfuse Catalog Number
	Line	Load			Wire Range	Openings per Pole	Wire Range	Openings per Pole		
AL			760	1	500mcm-#4	2	#4 - #14	12	7	LD5592-1
			760	2	500mcm-#4	2	#4 - #14	12	7	LD5592-2
			760	3	500mcm-#4	2	#4 - #14	12	7	LD5592-3
AL			380	1	500mcm-#4	1	#2 - #14	8	7	LD5594-1
			380	2	500mcm-#4	1	#2 - #14	8	7	LD5594-2
			380	3	500mcm-#4	1	#2 - #14	8	7	LD5594-3
CU			760	1	500mcm-#4	2	2/0 - #14	8	7	LD5986-1
			760	2	500mcm-#4	2	2/0 - #14	8	7	LD5986-2
			760	3	500mcm-#4	2	2/0 - #14	8	7	LD5986-3
CU			760	1	500mcm-#4	2	#2 - #14	12	7	LD5992-1
			760	2	500mcm-#4	2	#2 - #14	12	7	LD5992-2
			760	3	500mcm-#4	2	#2 - #14	12	7	LD5992-3
AL			175	1	2/0 - #14	1	#4 - #14	4	4	LD2570-1DIN
			175	1	2/0 - #14	1	#4 - #14	4	4	LD2570-2DIN
			175	3	2/0 - #14	1	#4 - #14	4	4	LD2570-3DIN
			175	Adder	2/0 - #14	1	#4 - #14	4	4	LD2570-ADIN
AL			175	1	2/0 - #14	1	#4 - #14	6	4	LD2580-1DIN
			175	1	2/0 - #14	1	#4 - #14	6	4	LD2580-2DIN
			175	3	2/0 - #14	1	#4 - #14	6	4	LD2580-3DIN
			175	Adder	2/0 - #14	1	#4 - #14	6	4	LD2580-ADIN
CU			175	1	2/0 - #14	1	#4 - #14	4	4	LD2970-1DIN
			175	1	2/0 - #14	1	#4 - #14	4	4	LD2970-2DIN
			175	3	2/0 - #14	1	#4 - #14	4	4	LD2970-3DIN
			175	Adder	2/0 - #14	1	#4 - #14	4	4	LD2970-ADIN



POWR-BLOKS™ Distribution/Splicer Blocks and Covers



Splicer Block Selection Guide

Mat'l	Connector Configuration		Amp Rating per Pole	Number of Poles	Line		Load		Figure	Littelfuse Catalog Number	
	Line	Load			Wire Range	Openings per Pole	Wire Range	Openings per Pole			
AL			310	2	350mcm-#6	1	350mcm-#6	1	1	LS0303-2	
			310	3	350mcm-#6	1	350mcm-#6	1	1	LS0303-3	
AL			115	1	#2 - #14	1	#2 - #14	1	2	LS1300-1	
			115	2	#2 - #14	1	#2 - #14	1	2	LS1300-2	
			115	3	#2 - #14	1	#2 - #14	1	2	LS1300-3	
			115	4	#2 - #14	1	#2 - #14	1	2	LS1300-4	
CU			150	1	1/0 - #18	1	1/0 - #18	1	3	LS2121-1	
			150	2	1/0 - #18	1	1/0 - #18	1	3	LS2121-2	
			150	3	1/0 - #18	1	1/0 - #18	1	3	LS2121-3	
AL			115	1	#2 - #14	1	#2 - #14	1	3	LS2552-1	
			115	2	#2 - #14	1	#2 - #14	1	3	LS2552-2	
			115	3	#2 - #14	1	#2 - #14	1	3	LS2552-3	
AL			175	1	2/0 - #14	1	2/0 - #14	1	3	LS2572-1	
			175	2	2/0 - #14	1	2/0 - #14	1	3	LS2572-2	
			175	3	2/0 - #14	1	2/0 - #14	1	3	LS2572-3	
AL			255	1	250mcm-#6	1	250mcm-#6	1	5	LS3123-1	
			255	2	250mcm-#6	1	250mcm-#6	1	5	LS3123-2	
			255	3	250mcm-#6	1	250mcm-#6	1	5	LS3123-3	
CU			255	1	250mcm-#6	1	250mcm-#6	1	5	LS3124-1	
			255	2	250mcm-#6	1	250mcm-#6	1	5	LS3124-2	
			255	3	250mcm-#6	1	250mcm-#6	1	5	LS3124-3	
AL			310	1	350mcm-#6	1	350mcm-#6	1	5	LS3126-1	
			310	2	350mcm-#6	1	350mcm-#6	1	5	LS3126-2	
			310	3	350mcm-#6	1	350mcm-#6	1	5	LS3126-3	
AL			420	1	600mcm-#4	1	600mcm-#4	1	6	LS4557-1	
			420	2	600mcm-#4	1	600mcm-#4	1	6	LS4557-2	
			420	3	600mcm-#4	1	600mcm-#4	1	6	LS4557-3	
AL			620	1	350mcm-#4	2	350mcm-#4	2	7	LS5129-1	
			620	2	350mcm-#4	2	350mcm-#4	2	7	LS5129-2	
			620	3	350mcm-#4	2	350mcm-#4	2	7	LS5129-3	
AL			760	1	500mcm-#4	2	500mcm-#4	2	7	LS5301-1	
			760	2	500mcm-#4	2	500mcm-#4	2	7	LS5301-2	
			760	3	500mcm-#4	2	500mcm-#4	2	7	LS5301-3	
AL			175	1	2/0 - #14	1	2/0 - #14	1	4	LS2572-1DIN	
			175	2	2/0 - #14	1	2/0 - #14	1	4	LS2572-2DIN	
			175	3	2/0 - #14	1	2/0 - #14	1	4	LS2572-3DIN	
			175	A	2/0 - #14	1	2/0 - #14	1	4	LS2572-ADIN	
CU			175	1	2/0 - #14	1	2/0 - #14	1	4	LS2972-1DIN	
			175	2	2/0 - #14	1	2/0 - #14	1	4	LS2972-2DIN	
			175	3	2/0 - #14	1	2/0 - #14	1	4	LS2972-3DIN	
			175	A	2/0 - #14	1	2/0 - #14	1	4	LS2972-ADIN	



POWR-BLOKS™ Distribution/Splicer Blocks and Covers

LX0XXX

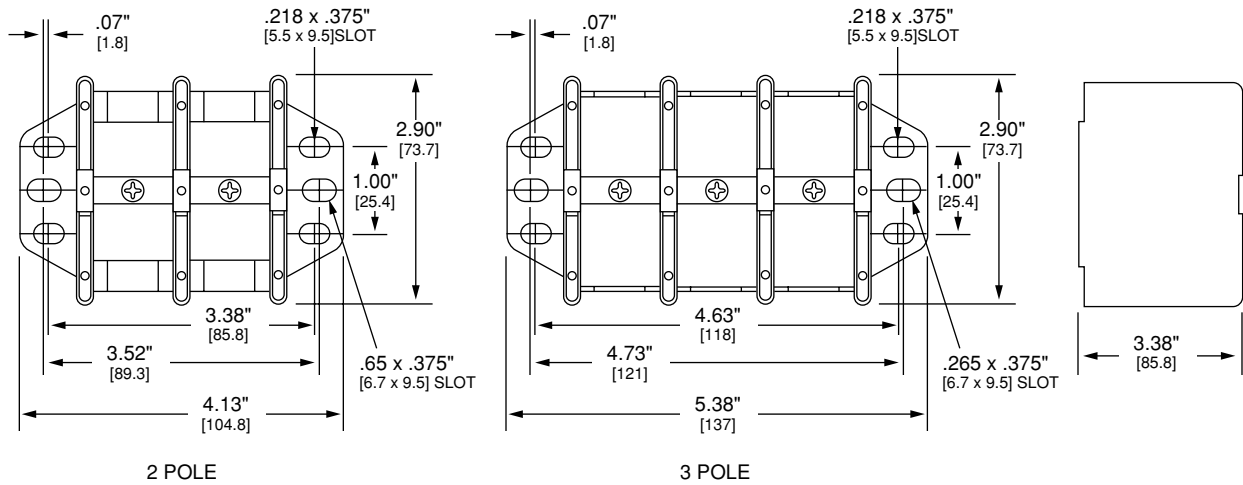


Figure 1

LX1XXX

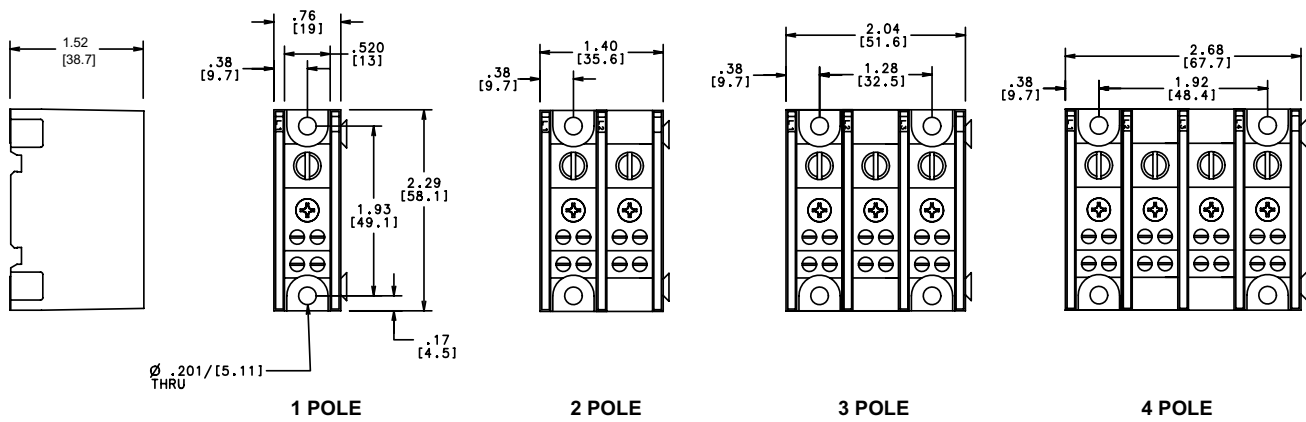


Figure 2

LX2XXX

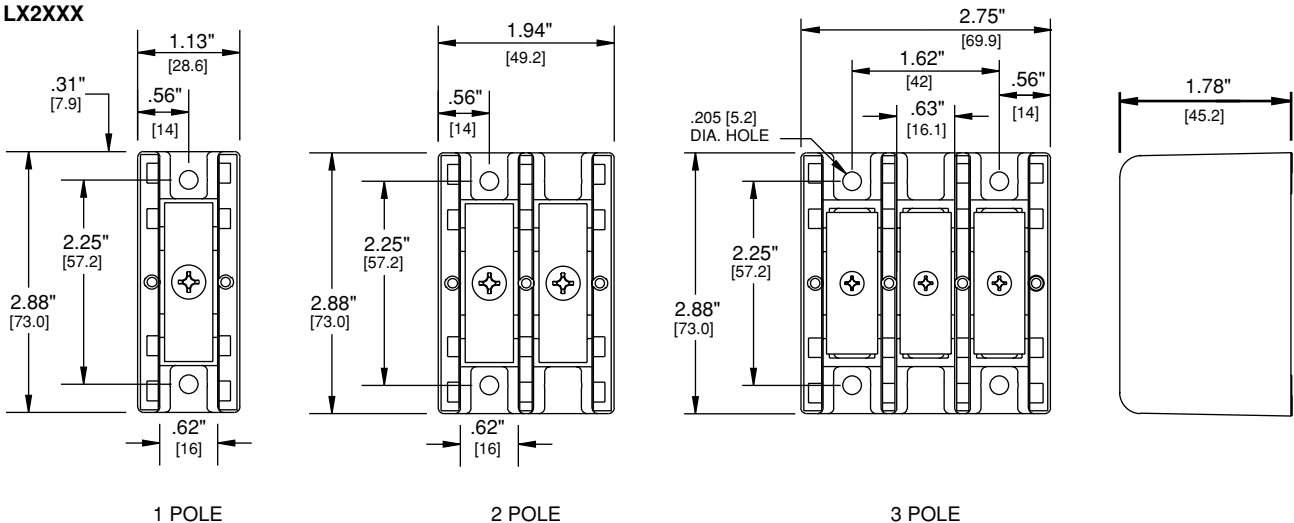
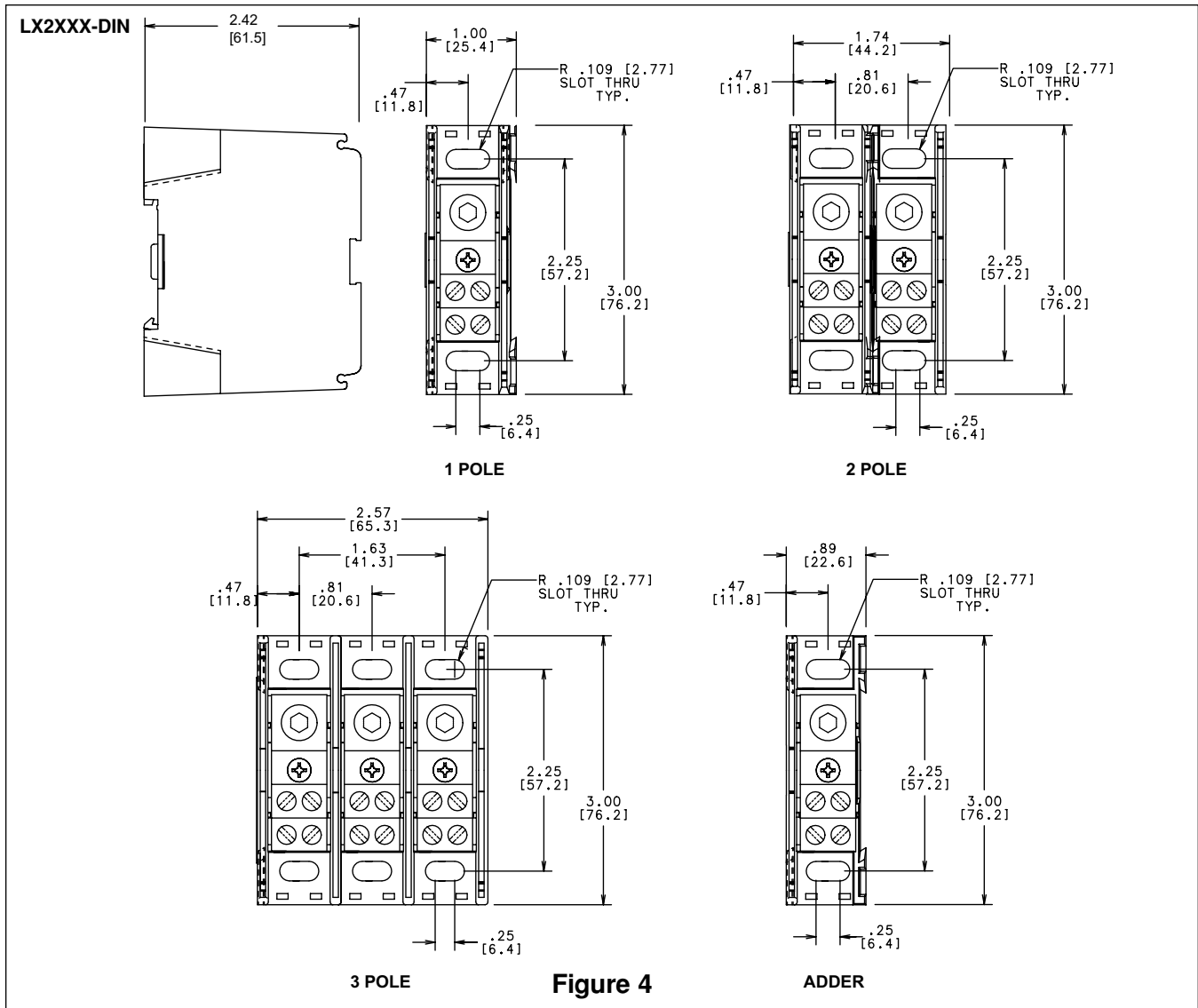


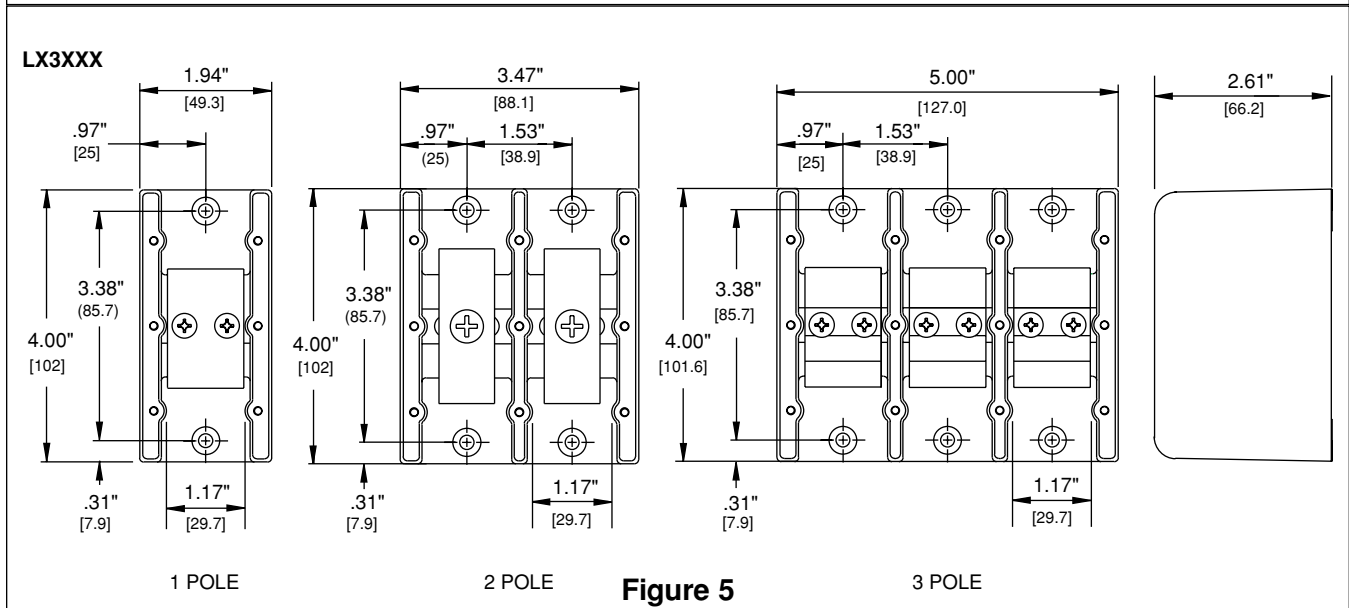
Figure 3

Blocks
And
Holders

POWR-BLOKS™ Distribution/Splicer Blocks and Covers



Blocks
And
Holders



POWR-BLOKS™ Distribution/Splicer Blocks and Covers

