

**IR-Lumineszenzdiode**  
**Infrared Emitter**  
**Lead (Pb) Free Product - RoHS Compliant**

**LD 271**  
**LD 271 H**  
**LD 271 L**  
**LD 271 LH**



**Wesentliche Merkmale**

- GaAs-LED in 5mm radial-Gehäuse
- Typische Peakwellenlänge 950nm
- Hohe Zuverlässigkeit
- Mit verschiedenen Beinchenlängen lieferbar
- Variante mit "stand-off" lieferbar
- TTW Löten geeignet

**Anwendungen**

- IR-Fernsteuerung von Fernseh- und Rundfunkgeräten, Videorecordern, Lichtdimmern
- Gerätefernsteuerungen für Gleich- und Wechsellichtbetrieb
- Sensorik
- Diskrete Lichtschranken

**Features**

- GaAs-LED in 5mm radial package (T 1<sup>3/4</sup>)
- Typical peak wavelength 950nm
- High reliability
- Available with two different lead lengths
- Version with stand-off available
- Suitable for TTW soldering

**Applications**

- IR remote control of hi-fi and TV-sets, video tape recorders, dimmers
- Remote control for steady and varying intensity
- Sensor technology
- Discrete interrupters

<b>Typ</b> <b>Type</b>	<b>Bestellnummer</b> <b>Ordering Code</b>	<b>Strahlstärkegruppierung</b> <sup>1)</sup> ( $I_F = 100\text{mA}$ , $t_p = 20\text{ ms}$ ) <b>Radiant intensity grouping</b> <sup>1)</sup> $I_e$ (mW/sr)
LD 271	Q62703Q0148	15 (>10)
LD 271 L	Q62703Q0833	
LD 271 H	Q62703Q0256	>16
LD 271 LH	Q62703Q0838	

<sup>1)</sup> gemessen bei einem Raumwinkel  $\Omega = 0.01\text{ sr}$   
 measured at a solid angle of  $\Omega = 0.01\text{ sr}$

**Grenzwerte**  
**Maximum Ratings**

Bezeichnung Parameter	Symbol Symbol	Wert Value	Einheit Unit
Betriebs- und Lagertemperatur Operating and storage temperature range	$T_{op}; T_{stg}$	- 40 ... + 100	°C
Sperrspannung Reverse voltage	$V_R$	5	V
Durchlaßstrom Forward current	$I_F$	130	mA
Stoßstrom, $t_p = 10 \mu s, D = 0$ Surge current	$I_{FSM}$	3.5	A
Verlustleistung Power dissipation	$P_{tot}$	220	mW
Wärmewiderstand Thermal resistance	$R_{thJA}$	330	K/W

**Kennwerte ( $T_A = 25 \text{ °C}$ )**  
**Characteristics**

Bezeichnung Parameter	Symbol Symbol	Wert Value	Einheit Unit
Wellenlänge der Strahlung Wavelength at peak emission $I_F = 100 \text{ mA}, t_p = 20 \text{ ms}$	$\lambda_{peak}$	950	nm
Spektrale Bandbreite bei 50% von $I_{max}$ Spectral bandwidth at 50% of $I_{max}$ $I_F = 100 \text{ mA}$	$\Delta\lambda$	55	nm
Abstrahlwinkel Half angle	$\varphi$	$\pm 25$	Grad deg.
Aktive Chipfläche Active chip area	$A$	0.25	mm <sup>2</sup>
Abmessungen der aktiven Chipfläche Dimensions of the active chip area	$L \times B$ $L \times W$	$0.5 \times 0.5$	mm <sup>2</sup>
Abstand Chipoberfläche bis Linsenscheitel Distance chip front to lens top	$H$	4.0 ... 4.6	mm
Schaltzeiten, $I_e$ von 10% auf 90% und von 90% auf 10%, bei $I_F = 100 \text{ mA}, R_L = 50 \Omega$ Switching times, $I_e$ from 10% to 90% and from 90% to 10%, $I_F = 100 \text{ mA}, R_L = 50 \Omega$	$t_r, t_f$	1	$\mu s$

Kennwerte ( $T_A = 25\text{ °C}$ )

Characteristics (cont'd)

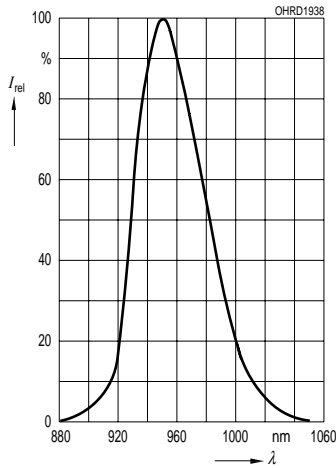
Bezeichnung Parameter	Symbol Symbol	Wert Value	Einheit Unit
Kapazität, $V_R = 0\text{ V}$ , $f = 1\text{ MHz}$ Capacitance	$C_o$	40	pF
Durchlaßspannung Forward voltage $I_F = 100\text{ mA}$ , $t_p = 20\text{ ms}$ $I_F = 1\text{ A}$ , $t_p = 100\text{ }\mu\text{s}$	$V_F$ $V_F$	1.30 ( $\leq 1.5$ ) 1.90 ( $\leq 2.5$ )	V V
Sperrstrom, $V_R = 5\text{ V}$ Reverse current	$I_R$	0.01 ( $\leq 1$ )	$\mu\text{A}$
Gesamtstrahlungsfluß Total radiant flux $I_F = 100\text{ mA}$ , $t_p = 20\text{ ms}$	$\Phi_e$	18	mW
Temperaturkoeffizient von $I_e$ bzw. $\Phi_e$ , $I_F = 100\text{ mA}$ Temperature coefficient of $I_e$ or $\Phi_e$ , $I_F = 100\text{ mA}$	$TC_I$	- 0.55	%/K
Temperaturkoeffizient von $V_F$ , $I_F = 100\text{ mA}$ Temperature coefficient of $V_F$ , $I_F = 100\text{ mA}$	$TC_V$	- 1.5	mV/K
Temperaturkoeffizient von $\lambda$ , $I_F = 100\text{ mA}$ Temperature coefficient of $\lambda$ , $I_F = 100\text{ mA}$	$TC_\lambda$	0.3	nm/K

**Gruppierung der Strahlstärke  $I_e$  in Achsrichtung**gemessen bei einem Raumwinkel  $\Omega = 0.01\text{ sr}$ **Grouping of Radiant Intensity  $I_e$  in Axial Direction**at a solid angle of  $\Omega = 0.01\text{ sr}$ 

Bezeichnung Parameter	Symbol Symbol	Wert Value		Einheit Unit
		LD 271 LD 271 L	LD 271 H LD 271 LH	
Strahlstärke Radiant intensity $I_F = 100\text{ mA}$ , $t_p = 20\text{ ms}$ $I_F = 1\text{ A}$ , $t_p = 100\text{ }\mu\text{s}$	$I_e$ $I_{e\text{ typ.}}$	15 ( $> 10$ ) 120	$> 16$	mW/sr mW/sr

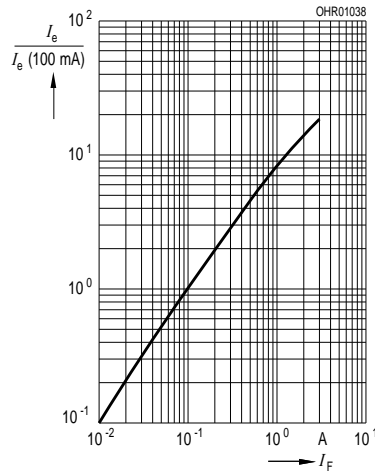
**Relative Spectral emission**

$I_{rel} = f(\lambda)$



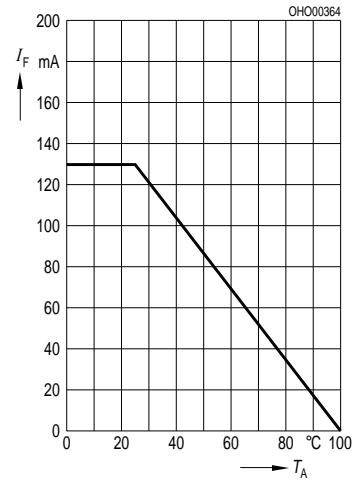
**Radiant Intensity**  $\frac{I_e}{I_e(100 \text{ mA})} = f(I_F)$

Single pulse,  $t_p = 20 \mu\text{s}$



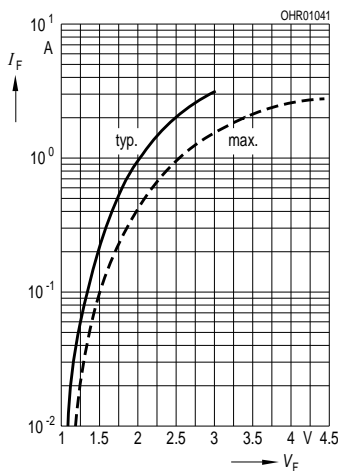
**Max. Permissible Forward Current**

$I_F = f(T_A)$



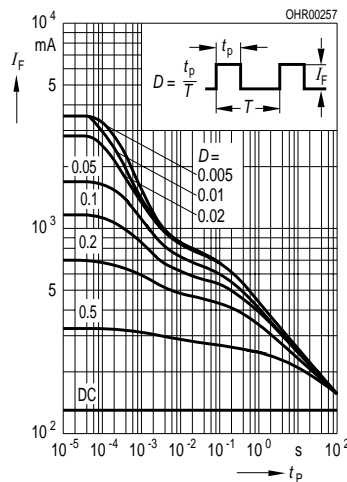
**Forward Current**

$I_F = f(V_F)$ , single pulse,  $t_p = 20 \mu\text{s}$

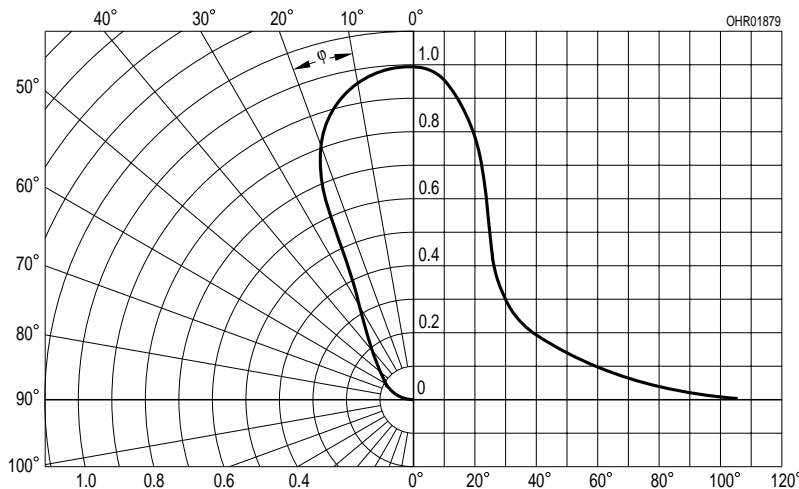


**Permissible Pulse Handling Capability**

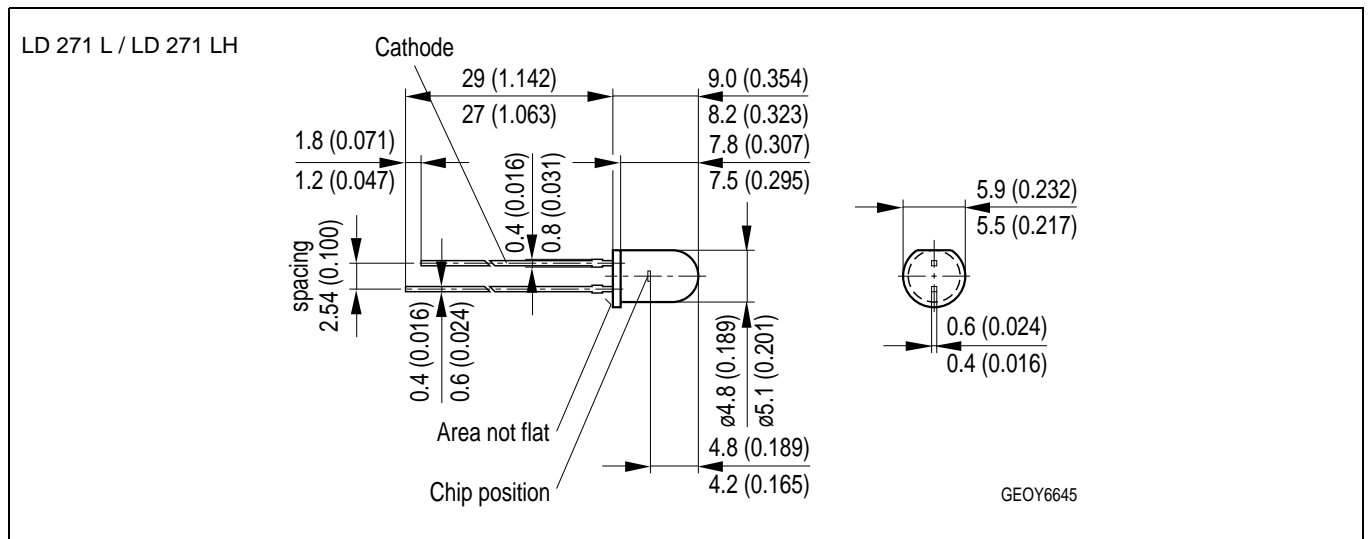
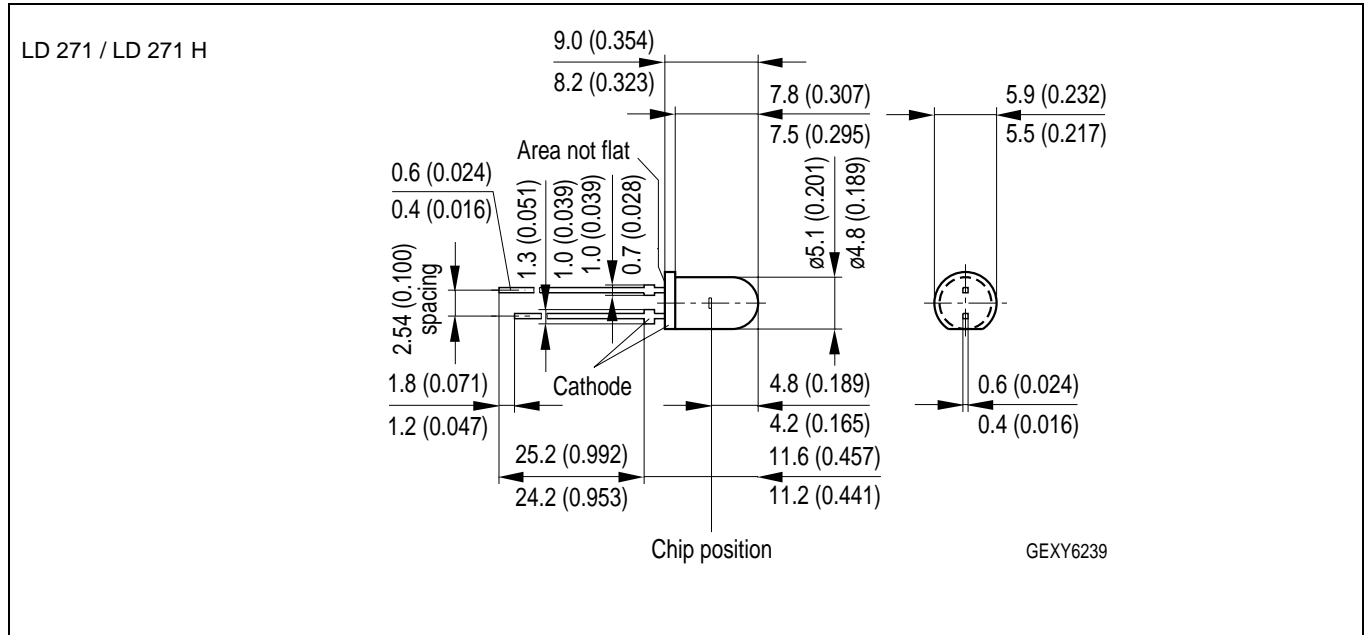
$I_F = f(\tau)$ ,  $T_C = 25 \text{ }^\circ\text{C}$ , duty cycle  $D = \text{parameter}$



**Radiation Characteristics**  $I_{rel} = f(\varphi)$



Maßzeichnung  
Package Outlines



Maße in mm (inch) / Dimensions in mm (inch).

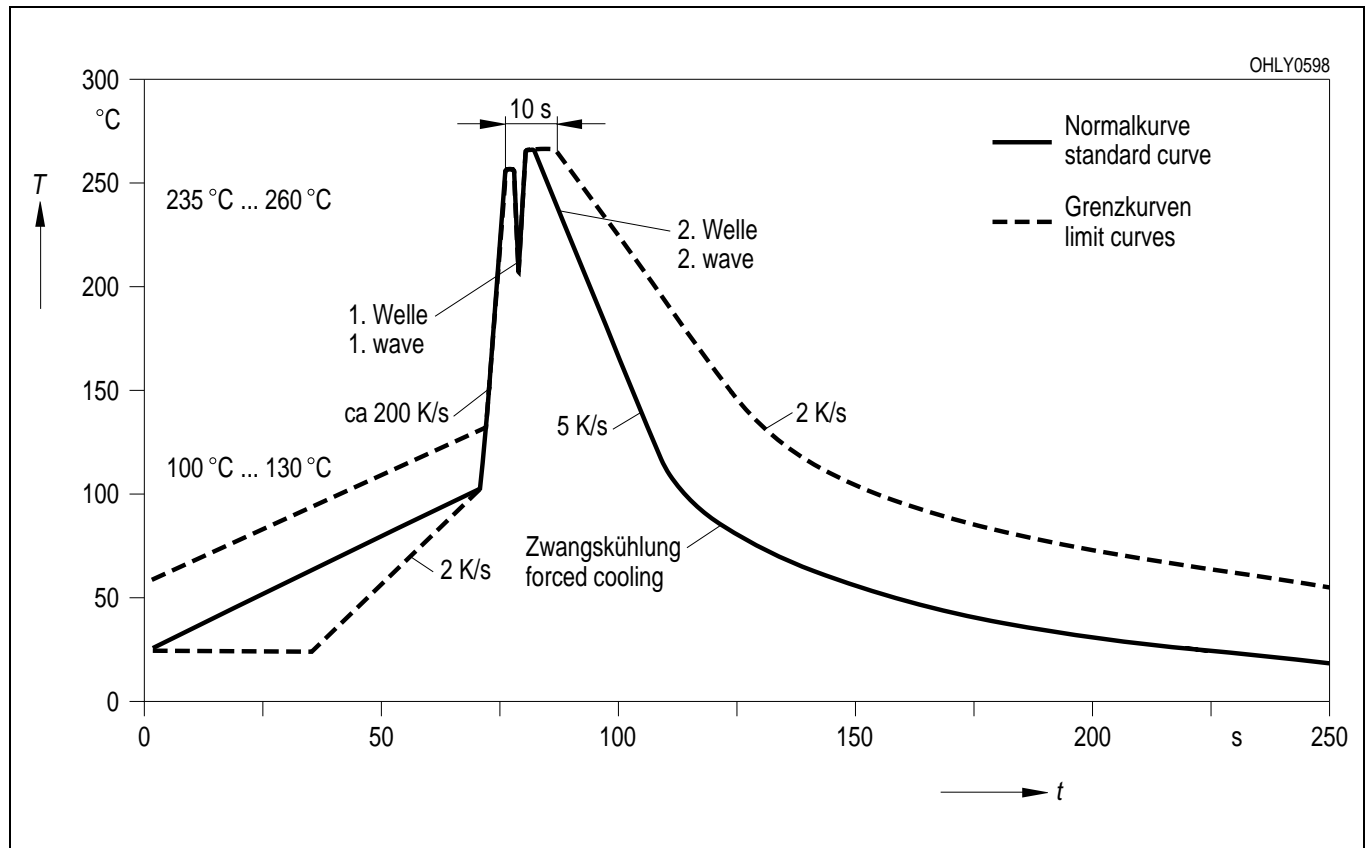
Gehäusefarbe: grau  
Brechungsindex Verguss: 1.53

Package Colour: grey  
Refractive index resin: 1.53

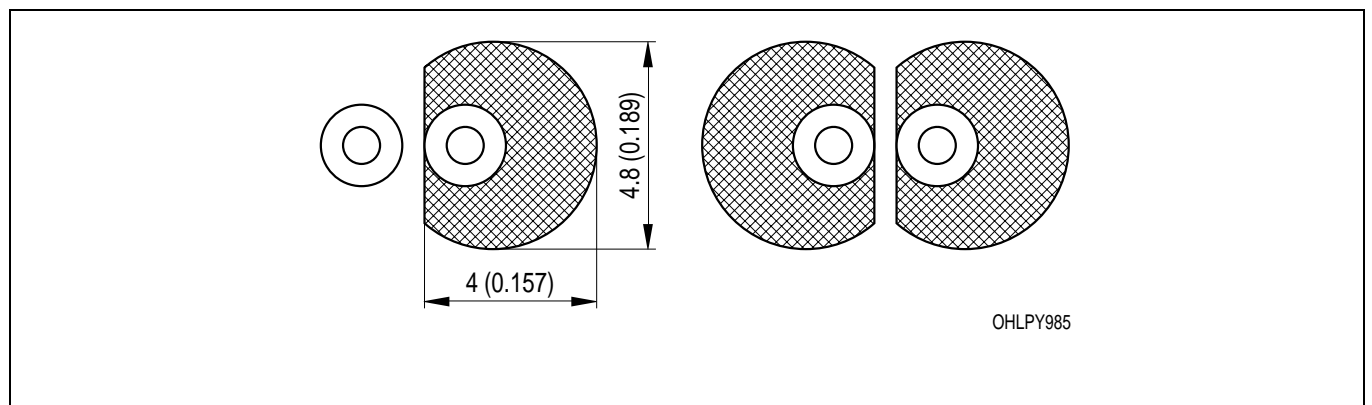
**Lötbedingungen**  
**Soldering Conditions**

**Wellenlöten (TTW)**  
**TTW Soldering**

(nach CECC 00802)  
(acc. to CECC 00802)



**Empfohlenes Lötpaddesign** Wellenlöten (TTW)  
**Recommended Solder Pad** TTW Soldering



Maße in mm (inch) / Dimensions in mm (inch).

Published by  
**OSRAM Opto Semiconductors GmbH**  
Wernerwerkstrasse 2, D-93049 Regensburg  
[www.osram-os.com](http://www.osram-os.com)  
© All Rights Reserved.

EU RoHS and China RoHS compliant product



此产品符合欧盟 RoHS 指令的要求；

按照中国的相关法规和标准，不含有毒有害物质或元素。

The information describes the type of component and shall not be considered as assured characteristics. All typical data and graphs are basing on sample base, but don't represent the production range. If required, e.g. because of technical improvements, the typ. data will be changed without any further notice.

Terms of delivery and rights to change design reserved. Due to technical requirements components may contain dangerous substances. For information on the types in question please contact our Sales Organization.

#### **Packing**

Please use the recycling operators known to you. We can also help you – get in touch with your nearest sales office. By agreement we will take packing material back, if it is sorted. You must bear the costs of transport. For packing material that is returned to us unsorted or which we are not obliged to accept, we shall have to invoice you for any costs incurred.

**Components used in life-support devices or systems must be expressly authorized for such purpose!** Critical components <sup>1</sup>, may only be used in life-support devices or systems <sup>2</sup> with the express written approval of OSRAM OS.

<sup>1</sup> A critical component is a component used in a life-support device or system whose failure can reasonably be expected to cause the failure of that life-support device or system, or to affect its safety or effectiveness of that device or system.

<sup>2</sup> Life support devices or systems are intended (a) to be implanted in the human body, or (b) to support and/or maintain and sustain human life. If they fail, it is reasonable to assume that the health of the user may be endangered.