

LD5015A/B Series - 0.50 inch Single Digit 16 Segment LED Display



ATTENTION
OBSERVE PRECAUTIONS
FOR HANDLING
ELECTROSTATIC
DISCHARGE
SENSITIVE
DEVICES



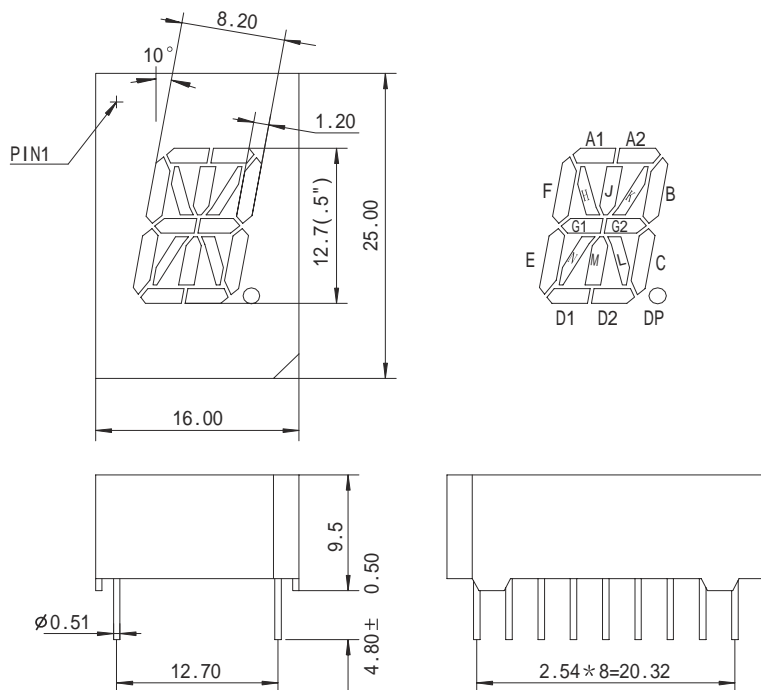
Features

- 12.70 mm (0.50 inch) digit high
- Excellent digit appearance
- Wide viewing angle
- Range of emitted colors
- I.C. compatible
- Low power consumption
- White segment
- RoHS compliant

Available options

- Alternative emitting luminosity:
Standard or high brightness version
- Alternative emitted color
- Alternative segment color
- Alternative font
- Common Cathode is available
- Cropped terminal pins

Package Dimensions

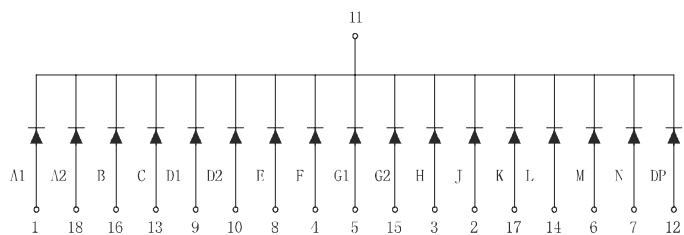


Notes:

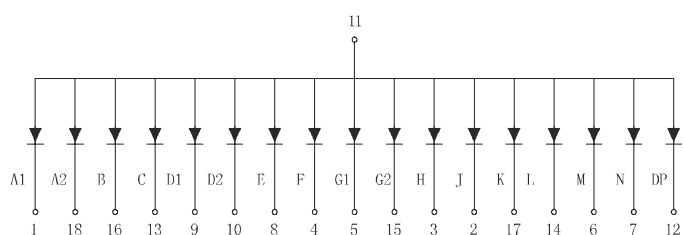
1. All dimensions are in millimeters (inches), Tolerance is $\pm 0.25\text{mm}$ (0.01inch) unless other wise noted.
2. Specifications are subject to change without notice.
3. The gap between the reflector and PCB shall not exceed 0.25mm.

Internal Circuit Diagram

LD5015A (Common Cathode)



LD5015B (Common Anode)



Selection Guide

Single Digit 7 Segment LED Display, Digit Height:12.70mm(0.50 inch), External Dimensions: 16.00x25.00x9.50mm (L x W x H)

Part No.		Chip			Iv@IF=20mA		Iv@IF=20mA	
Common Cathode	Common Anode	Material	Color	WLD	One Seg		One DP	
					Min.	Typ.	Min.	Typ.
LD5015AR	LD5015BR	GaAlAs	Super Red	640	8	10	8	10
LD5015AD	LD5015BD	GaAlAs	Hi-Red	640	18	25	18	25
LD5015AO	LD5015BO	GaAsP	Orange	625	7	9	7	9
LD5015AY	LD5015BY	GaAsP	Yellow	588	8	10	8	10
LD5015AG	LD5015BG	GaP	Green	568	7	9	7	9
LD5015AUR	LD5015BUR	AlGaInP	Ultra Red	640	50	45	50	45
LD5015AUO	LD5015BUO	AlGaInP	Ultra Orange	625	45	60	45	60
LD5015AUA	LD5015BUA	AlGaInP	Ultra Amber	605	50	45	50	45
LD5015AUY	LD5015BUY	AlGaInP	Ultra Yellow	595	50	45	50	45
LD5015AUG	LD5015BUG	AlGaInP	Ultra Green	573	50	45	50	45
LD5015APG	LD5015BPG	InGaN	Pure Green	525	120	500	120	500
LD5015AUB	LD5015BUB	InGaN	Ultra Blue	470	50	45	50	45
LD5015AUW	LD5015BUW	InGaN	Ultra White	\	100	120	100	120
Unit:	\	\	\	nm	mcd	mcd	mcd	mcd

Electrical Characteristics & Absolute Maximum Ratings

Color		Electrical optical Characteristics ^[1]			Absolute Maximum Ratings ^[1]		
		Forward Voltage@ IF=20mA		Reverse Current VR=5V	Power Dissipation	DC Forward Current	Peak Forward Current ^[2]
		Typ.	Max.				
Super Red	Per Seg.	1.8	2.2	50	60	25	100
	Per DP	1.8	2.2	50	60	25	100
Hi-Red	Per Seg.	1.8	2.2	50	60	25	100
	Per DP	1.8	2.2	50	60	25	100
Orange	Per Seg.	2.1	2.5	50	80	50	100
	Per DP	2.1	2.5	50	80	50	100
Yellow	Per Seg.	2.1	2.5	50	80	50	100
	Per DP	2.1	2.5	50	80	50	100
Green	Per Seg.	2.2	2.5	50	80	50	100
	Per DP	2.2	2.5	50	80	50	100
Ultra Red	Per Seg.	1.9	2.6	50	60	50	100
	Per DP	1.9	2.6	50	60	50	100
Ultra Orange	Per Seg.	2	2.6	50	65	50	100
	Per DP	2	2.6	50	65	50	100
Ultra Amber	Per Seg.	2	2.6	50	65	50	100
	Per DP	2	2.6	50	65	50	100
Ultra Yellow	Per Seg.	2	2.6	50	65	50	100
	Per DP	2	2.6	50	65	50	100
Ultra Green	Per Seg.	2.1	2.6	50	75	50	100
	Per DP	2.1	2.6	50	75	50	100
Pure Green	Per Seg.	3.5	4	50	110	50	100
	Per DP	3.5	4	50	110	50	100
Ultra Blue	Per Seg.	3.5	4	50	120	50	100
	Per DP	3.5	4	50	120	50	100
Ultra White	Per Seg.	3.5	4	50	120	50	100
	Per DP	3.5	4	50	120	50	100
Unit:	\	V	V	uA	mW	mA	mA

Notes:

1. At Ta = 25 °C.

2. Peak forward current at 1/10 Duty Cycle, 0.1ms Pulse.