

LD5015C/D Series - 0.50 inch Single Digit 16 Segment LED Display



ATTENTION
OBSERVE PRECAUTIONS
FOR HANDLING
ELECTROSTATIC
DISCHARGE
SENSITIVE
DEVICES



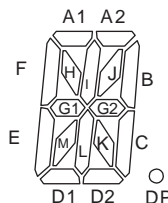
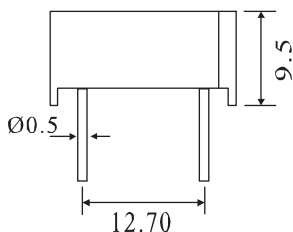
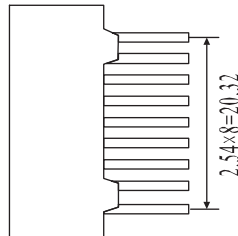
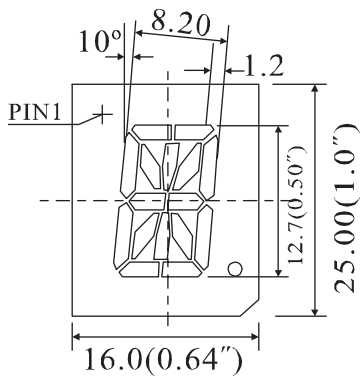
Features

- 12.70 mm (0.50 inch) digit high
- Excellent digit appearance
- Wide viewing angle
- Range of emitted colors
- I.C. compatible
- Low power consumption
- White segment
- RoHS compliant

Available options

- Alternative emitting luminosity:
Standard or high brightness version
- Alternative emitted color
- Alternative segment color
- Alternative font
- Common Cathode is available
- Cropped terminal pins

Package Dimensions

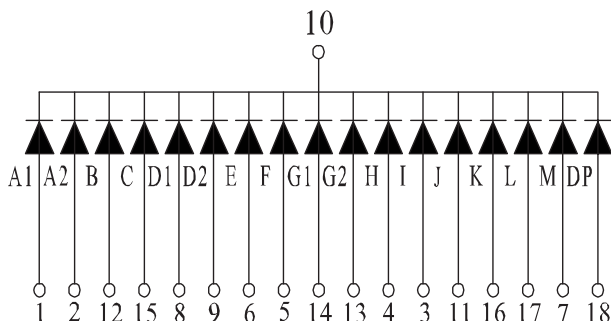


Notes:

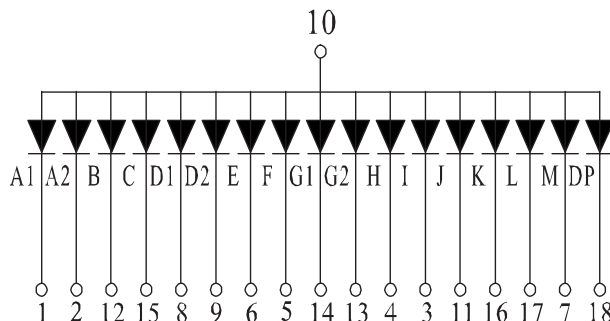
1. All dimensions are in millimeters (inches), Tolerance is $\pm 0.25\text{mm}(0.01\text{inch})$ unless otherwise noted.
2. Specifications are subject to change without notice.
3. The gap between the reflector and PCB shall not exceed 0.25mm.

Internal Circuit Diagram

LD5015C (Common Cathode)



LD5015D (Common Anode)



Selection Guide

Single Digit 7 Segment LED Display, Digit Height:12.70mm(0.50 inch), External Dimensions: 16.00x25.00x9.50mm (L x W x H)

Part No.		Chip			I _v @I _F =20mA		I _v @I _F =20mA	
Common Cathode	Common Anode	Material	Color	WLD	One Seg		One DP	
					Min.	Typ.	Min.	Typ.
LD5015CR	LD5015DR	GaAlAs	Super Red	640	8	10	8	10
LD5015CD	LD5015DD	GaAlAs	Hi-Red	640	18	25	18	25
LD5015CO	LD5015DO	GaAsP	Orange	625	7	9	7	9
LD5015CY	LD5015DY	GaAsP	Yellow	588	8	10	8	10
LD5015CG	LD5015DG	GaP	Green	568	7	9	7	9
LD5015CUR	LD5015DUR	AlGaInP	Ultra Red	640	30	45	30	45
LD5015CUO	LD5015DUO	AlGaInP	Ultra Orange	625	45	60	45	60
LD5015CUA	LD5015DUA	AlGaInP	Ultra Amber	605	30	45	30	45
LD5015CUY	LD5015DUY	AlGaInP	Ultra Yellow	595	30	45	30	45
LD5015CUG	LD5015DUG	AlGaInP	Ultra Green	573	30	45	30	45
LD5015CPG	LD5015DPG	InGaN	Pure Green	525	120	300	120	300
LD5015CUB	LD5015DUB	InGaN	Ultra Blue	470	30	45	30	45
LD5015CUW	LD5015DUW	InGaN	Ultra White	\	100	120	100	120
Unit:	\	\	\	nm	mcd	mcd	mcd	mcd

Electrical Characteristics & Absolute Maximum Ratings

Color		Electrical optical Characteristics ^[1]			Absolute Maximum Ratings ^[1]		
		Forward Voltage@ IF=20mA		Reverse Current VR=5V	Power Dissipation	DC Forward Current	Peak Forward Current ^[2]
		Typ.	Max.				
Super Red	Per Seg.	1.8	2.2	50	60	25	100
	Per DP	1.8	2.2	50	60	25	100
Hi-Red	Per Seg.	1.8	2.2	50	60	25	100
	Per DP	1.8	2.2	50	60	25	100
Orange	Per Seg.	2.1	2.5	50	80	50	100
	Per DP	2.1	2.5	50	80	50	100
Yellow	Per Seg.	2.1	2.5	50	80	50	100
	Per DP	2.1	2.5	50	80	50	100
Green	Per Seg.	2.2	2.5	50	80	50	100
	Per DP	2.2	2.5	50	80	50	100
Ultra Red	Per Seg.	1.9	2.6	50	60	50	100
	Per DP	1.9	2.6	50	60	50	100
Ultra Orange	Per Seg.	2	2.6	50	65	50	100
	Per DP	2	2.6	50	65	50	100
Ultra Amber	Per Seg.	2	2.6	50	65	50	100
	Per DP	2	2.6	50	65	50	100
Ultra Yellow	Per Seg.	2	2.6	50	65	50	100
	Per DP	2	2.6	50	65	50	100
Ultra Green	Per Seg.	2.1	2.6	50	75	50	100
	Per DP	2.1	2.6	50	75	50	100
Pure Green	Per Seg.	3.5	4	50	110	50	100
	Per DP	3.5	4	50	110	50	100
Ultra Blue	Per Seg.	3.5	4	50	120	50	100
	Per DP	3.5	4	50	120	50	100
Ultra White	Per Seg.	3.5	4	50	120	50	100
	Per DP	3.5	4	50	120	50	100
Unit:	\	V	V	uA	mW	mA	mA

Notes:

1. At Ta = 25 °C.

2. Peak forward current at 1/10 Duty Cycle, 0.1ms Pulse.