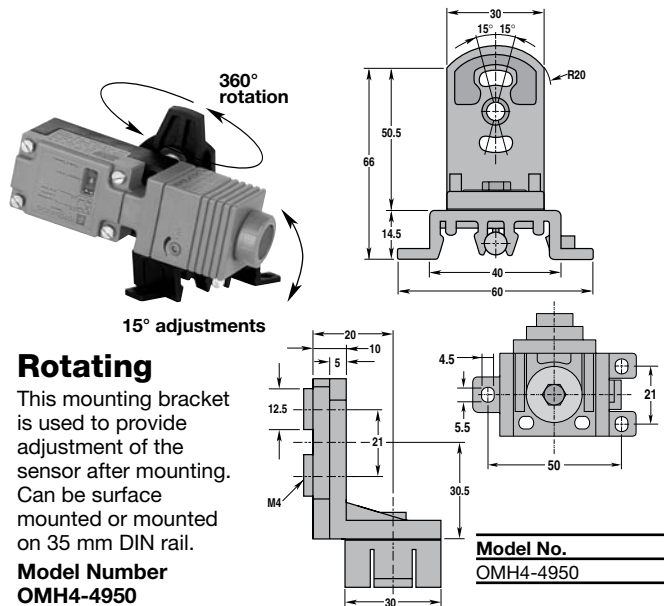


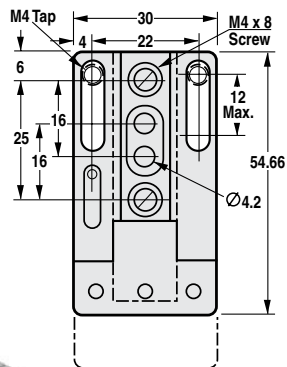
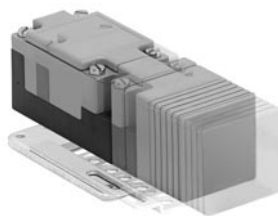
Mounting Brackets for Mini Limit Switch Sensors



Adjustable

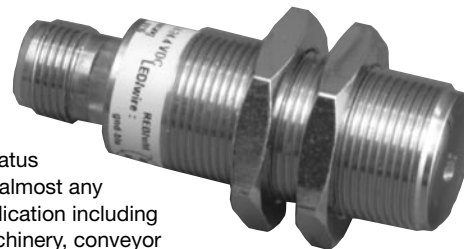
This mounting bracket is used to provide adjustment of the sensor after mounting. Includes mounting hardware. To order specify model number **MH4-3742**.

Model No.
MH4-3742



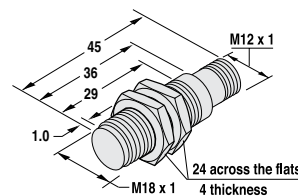
Testers and Indicators

18 mm Pilot Light (12-24 VDC)

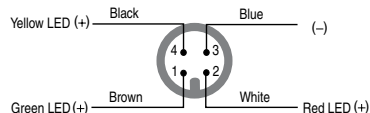


This pilot light provides ultra-bright status indication for almost any industrial application including part bins, machinery, conveyor lines and error proofing. Available in red, yellow or green (or all three combined), these indicators feature an IP67, nickel-plated brass housing for harsh-duty applications.

Quick Disconnect
Male Receptable End View.



V1 Type



Model Number	LED Color
LED18-RYG-P	Red, Yellow, Green
LED18-RRR-P	Red
LED18-YYY-P	Yellow
LED18-GGG-P	Green

Test Instruments

On-site troubleshooting can be a problem without the proper testing equipment. With P+F's hand-held tester, proximity sensors can be tested without having to remove the sensor from its installation. With this compact easy-to-read tester, instructions are right on the front of the unit.

You can check all 2-, 3-, and 4-wire DC sensors and all 2- and 3-wire AC sensors.

If the tester is improperly connected to a sensor, a safety feature prevents damage to either the tester or the sensor.

To order specify model number **1-1350**.

Model No.
1-1350



The ST-03 is a universal, compact testing device that fits in your palm.

Features:

- The unit tests the operation of all DC sensors in 2-wire, 3-wire, and 4-wire configurations, and all sensors built according to DIN 19234, NAMUR.
- Will not damage sensors that are connected incorrectly.
- Push-button terminals allow quick, easy sensor connection.

To order specify model number **ST-03**.

Model No.
ST-03

