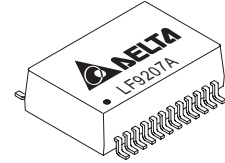




# 100/1000BASE-T TRANSFORMER MODULES

## Networking Components

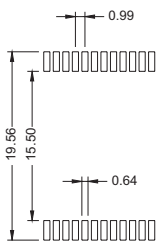
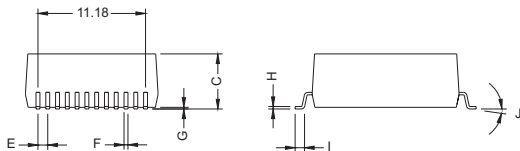
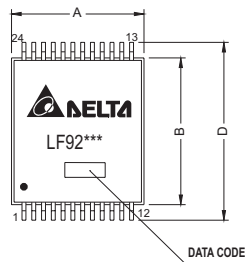


### ELECTRICAL CHARACTERISTICS @25°C

Rise Time & Fall Time @5.0ns (Max), Hi-Pot Test @60Sec, 1500Vrms, OCL @8mA DC Bias 350uH (Min)														
Model	Insertion Loss (dB Max)			Return Loss (dB Min)				Cross Talk (dB Min)			Com. To Com. Rejection (dB Min)	Diff. To Com. Mode Rejection (dB Min)		Turns Ratio TX/RX (±5%)
	1-60	60-100	100-125	1-30	30-40	40-50	50-100	1-30	30-60	60-100	1-100	1-60	60-100	1
	MHz			MHz				MHz			MHz	MHz		MHz
LF9207A	-0.5	-1.0	-1.2	-16	-13.5	-11.5	-10	-40	-38	-33	-30	-40	-30	1:1 / 1:1

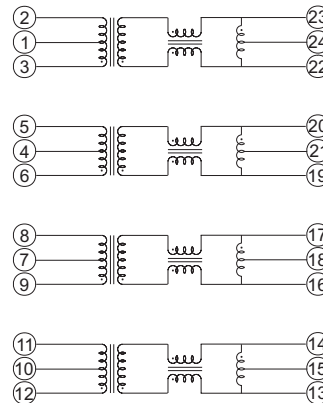
### MECHANICAL CONSTRUCTION

### SCHEMATICS



UNIT : mm / inch  
 A = 13.77 ± 0.254 / 0.542 ± 0.010  
 B = 15.24 ± 0.254 / 0.600 ± 0.010  
 C = 5.72 ± 0.254 / 0.225 ± 0.010  
 D = 18.80 ± 0.254 / 0.630 ± 0.010  
 E = 0.99 / 0.039 (TYP)  
 F = 0.41 ± 0.127 / 0.016 ± 0.005  
 G = 0.254 ± 0.127 / 0.010 ± 0.005  
 H = 0.254 / 0.010 (TYP)  
 I = 1.14 / 0.045 (REF)  
 J = 0°~8°

#### LF9207A



### DELTA ELECTRONICS, INC.

(TAOYUAN PLANT CPBG) 252, SAN YING ROAD, KUEI SAN INDUSTRIAL ZONE, TAOYUAN SHIEN, TAIWAN, R.O.C.  
 TEL: 886-3-3591968; FAX: 886-3-3591991  
 Http://www.deltaww.com/products/networking