

Class H/K5 and R Fuse Blocks

250 and 600 Volt



Class H 250V

Amp Rating	No. of Poles	Catalog Number	Connector Type (Add suffix shown)			Maximum Wire Size
			Screw	Pressure Plate	Box Lug	
30	1	LH25030-1	S (R)	P (R)	C (R)	S & P = #10 CU C = #6 CU-AL
	2	LH25030-2	S (R)	P (R)	C (R)	
	3	LH25030-3	S (R)	P (R)	C (R)	
60	1	LH25060-1	S (R)		C (R)	S = #10 CU C = #2 CU-AL
	2	LH25060-2	S (R)		C (R)	
	3	LH25060-3	S (R)		C (R)	
100	1	LH25100-1			C	#2/0 CU-AL
	2	LH25100-2			C	
	3	LH25100-3			C	
200	1	LH25200-1			C	250 MCM CU-AL
	2	LH25200-2			C	
	3	LH25200-3			C	
400	1	LH25400-1			CR	(2) 350 MCM CU-AL
	3	LH25400-3			CR	
600	1	LH25600-1			C	(2) 500 MCM CU-AL
	3	LH25600-3			C	

Note: Reinforcing springs standard on all Class H fuse blocks 100 amperes and above.

Class R 250V

Amp Rating	No. of Poles	Catalog Number	Connector Type (Add suffix shown)			Maximum Wire Size
			Screw	Pressure Plate	Box Lug	
30	1	LR25030-1	SR	PR	CR	S & P = #10 CU C = #6 CU-AL
	2	LR25030-2	SR	PR	CR	
	3	LR25030-3	SR	PR	CR	
60	1	LR25060-1			CR	S = #10 CU C = #2 CU-AL
	2	LR25060-2			CR	
	3	LR25060-3			CR	
100	1	LR25100-1			C	#2/0 CU-AL
	2	LR25100-2			C	
	3	LR25100-3			C	
200	1	LR25200-1			C	250 MCM CU-AL
	2	LR25200-2			C	
	3	LR25200-3			C	
400	1	LR25400-1			CR	(2) 350 MCM CU-AL
	3	LR25400-3			CR	
600	1	LR25600-1			C	(2) 500 MCM CU-AL
	3	LR25600-3			C	

Note: Reinforcing springs standard on all Class R fuse blocks.

SPECIFICATIONS

Voltage Rating: 250 Volts; 600 Volts

Ampere Ratings: 0 – 600 amperes

Approvals: UL Listed (File No. E14721)
CSA Certified (File No. LR73091)

RECOMMENDED FUSES

Class H Blocks
250V
NLN
RLN

600V
NLS
RLS

Class R Blocks
250V
FLNR
KLNK
LLNRK
TLN

600V

FLSR/FLSR_ID
KLSR
LLSRK/LLSRK_ID
IDSR

Class H fuse blocks are for use with Class H/K5 fuses, which have an interrupting rating of up to 50,000 amperes. When higher interrupting ratings are required, use Class R fuses (200,000 A.I.R.) and Class R fuse blocks. Class R fuse blocks are dimensionally the same as Class H blocks, but incorporate a rejection feature which allows only Class R fuses to be inserted.

FEATURES/BENEFITS

Class H and Class R fuse blocks feature a one-piece fuse clip design for positive electrical contact and minimum heat rise. Side barriers provide isolation between poles. Bases on most blocks are of molded phenolic or thermoplastic, UL rated at 150° C.

Class H 600V

Amp Rating	No. of Poles	Catalog Number	Connector Type (Add suffix shown)			Maximum Wire Size
			Screw	Pressure Plate	Box Lug	
30	1	LH60030-1	S (R)	P (R)	C (R)	S & P = #10 CU C = #6 CU-AL
	2	LH60030-2	S (R)	P (R)	C (R)	
	3	LH60030-3	S (R)	P (R)	C (R)	
60	1	LH60060-1			C (R)	S = #10 CU C = #2 CU-AL
	2	LH60060-2			C (R)	
	3	LH60060-3			C (R)	
100	1	LH60100-1			C	#2/0 CU-AL
	2	LH60100-2			C	
	3	LH60100-3			C	
200	1	LH60200-1			C	250 MCM CU-AL
	2	LH60200-2			C	
	3	LH60200-3			C	
400	1	LH60400-1			CR	(2) 350 MCM CU-AL
	3	LH60400-3			CR	
600	1	LH60600-1			C	(2) 500 MCM CU-AL
	3	LH60600-3			C	

Note: Reinforcing springs standard on all Class H fuse blocks 100 amperes and above.

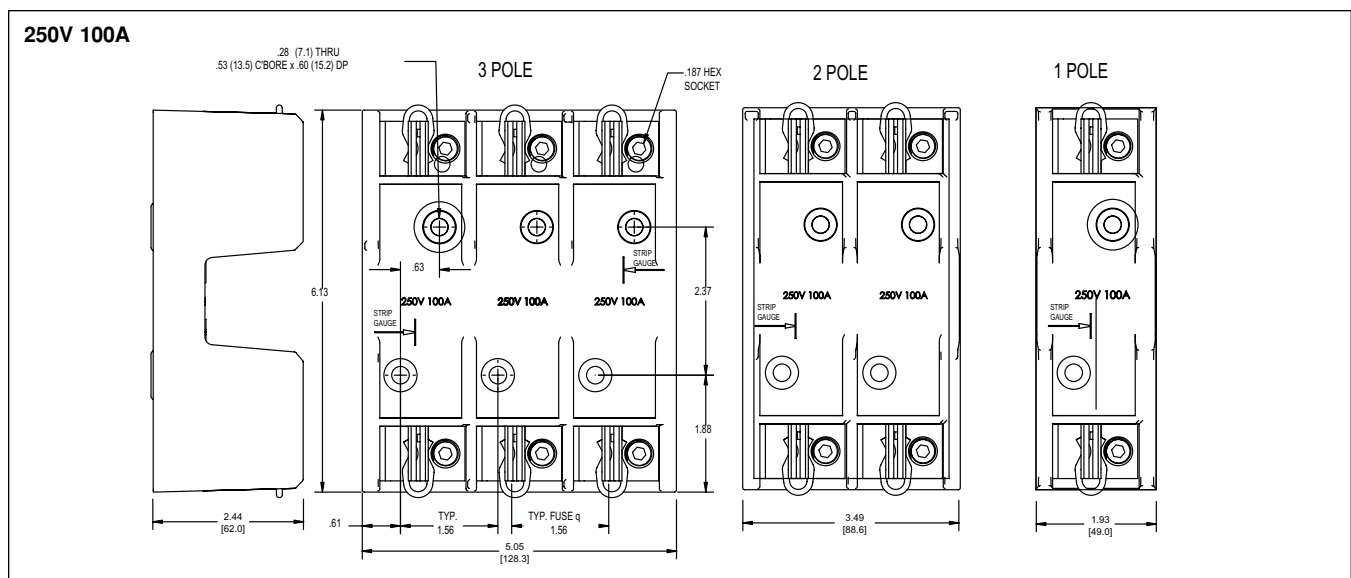
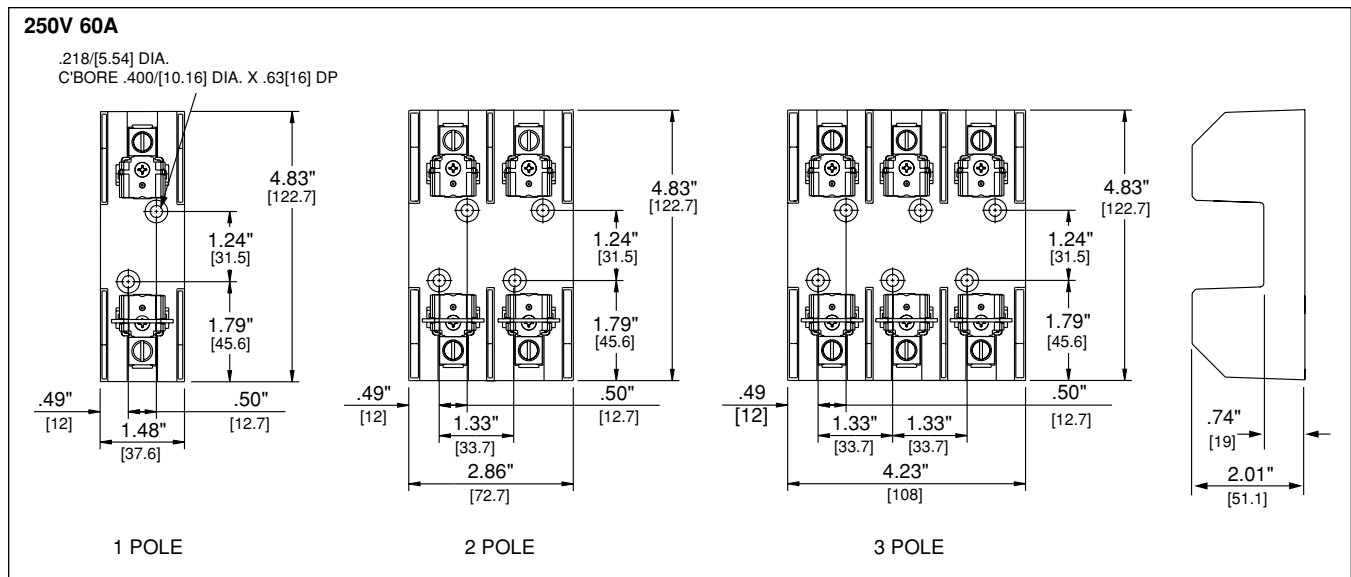
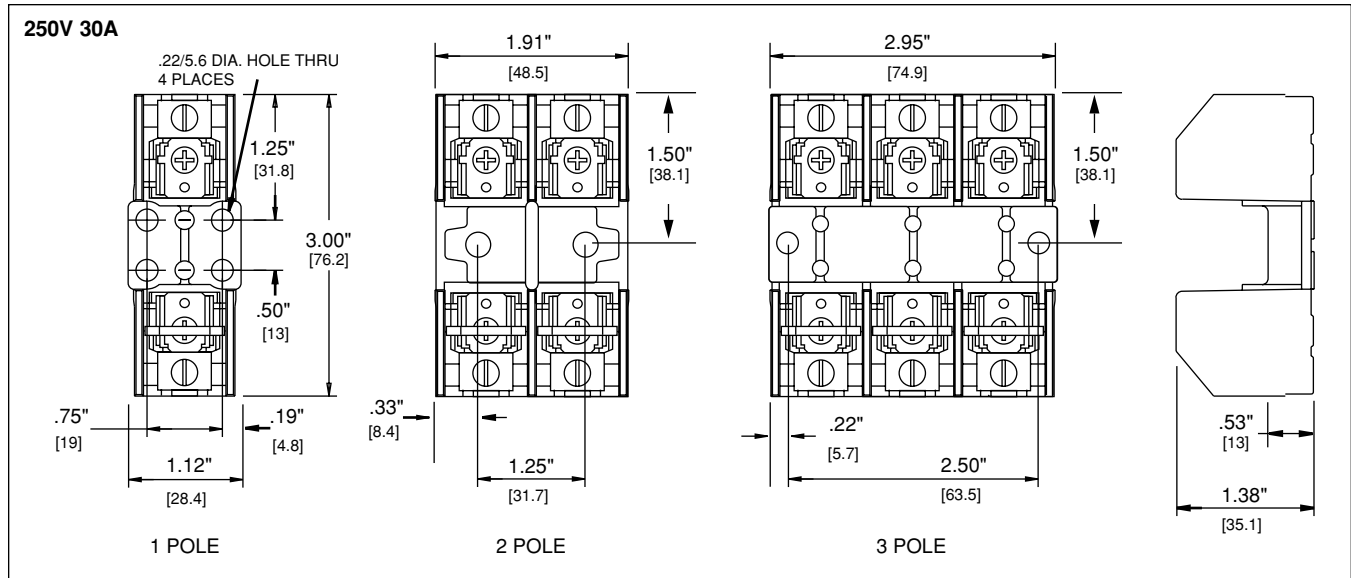
Class R 600V

Amp Rating	No. of Poles	Catalog Number	Connector Type (Add suffix shown)			Maximum Wire Size
			Screw	Pressure Plate	Box Lug	
30	1	LR60030-1	SR	PR	CR	S & P = #10 CU C = #6 CU-AL
	2	LR60030-2	SR	PR	CR	
	3	LR60030-3	SR	PR	CR	
60	1	LR60060-1			CR	S = #10 CU C = #2 CU-AL
	2	LR60060-2			CR	
	3	LR60060-3			CR	
100	1	LR60100-1			C	#2/0 CU-AL
	2	LR60100-2			C	
	3	LR60100-3			C	
200	1	LR60200-1			C	250 MCM CU-AL
	2	LR60200-2			C	
	3	LR60200-3			C	
400	1	LR60400-1			CR	(2) 350 MCM CU-AL
	3	LR60400-3			CR	
600	1	LR60600-1			C	(2) 500 MCM CU-AL
	3	LR60600-3			C	

Note: Reinforcing springs standard on all Class R fuse blocks.

Class H/K5 and R Fuse Blocks

250 Volt

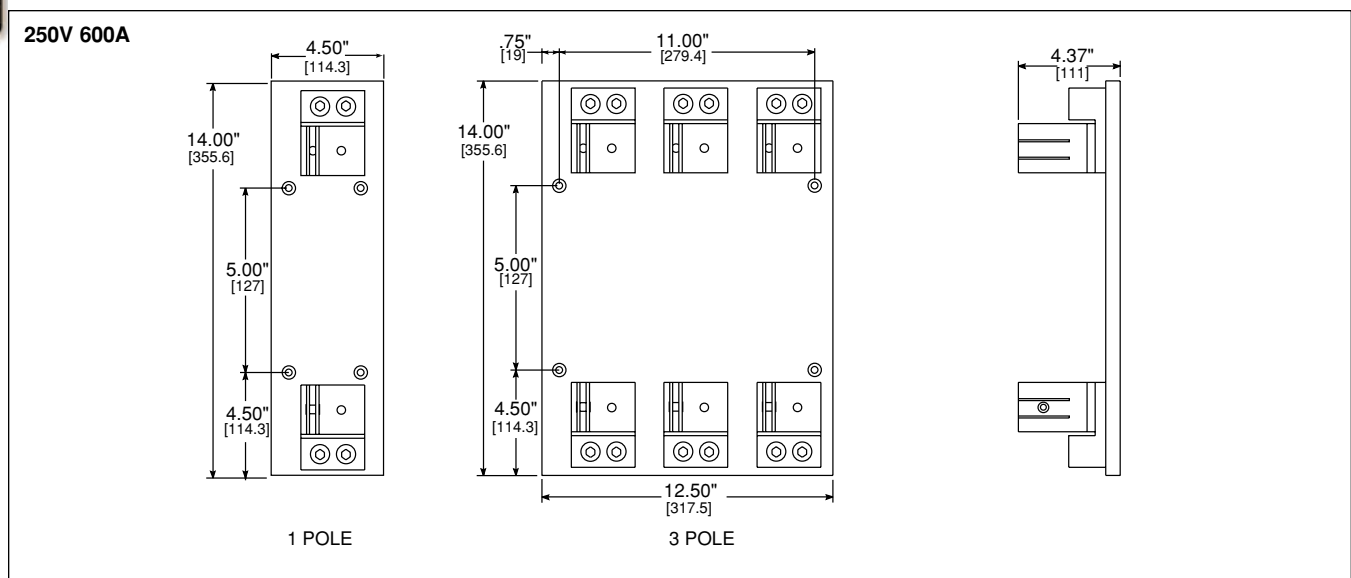
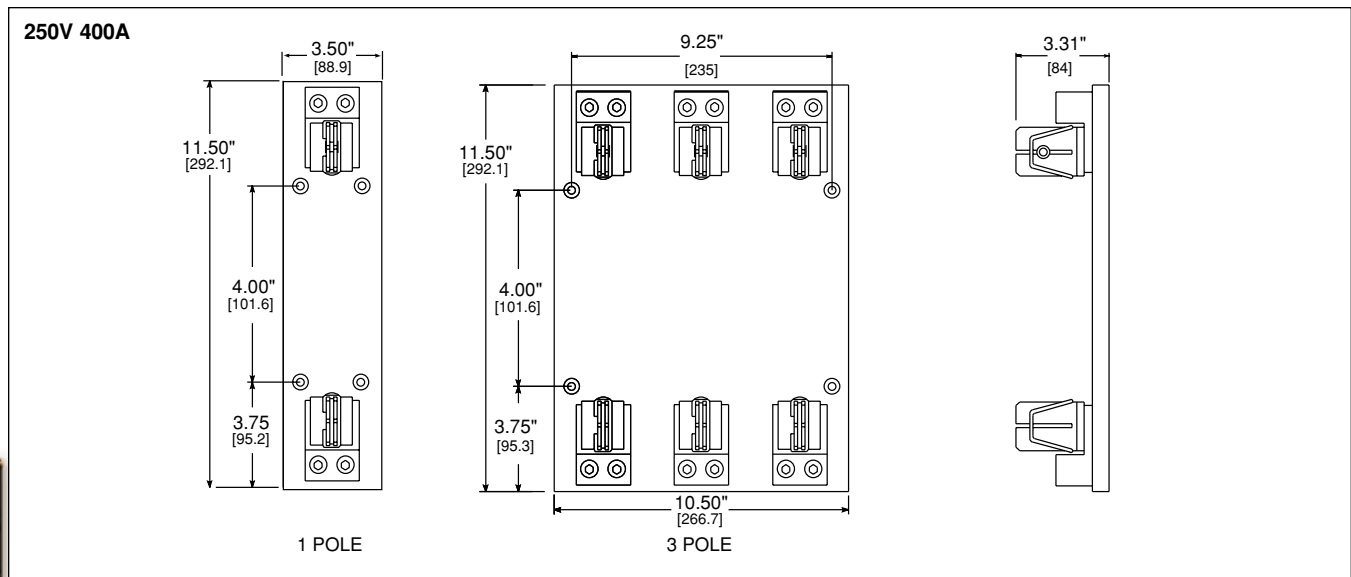
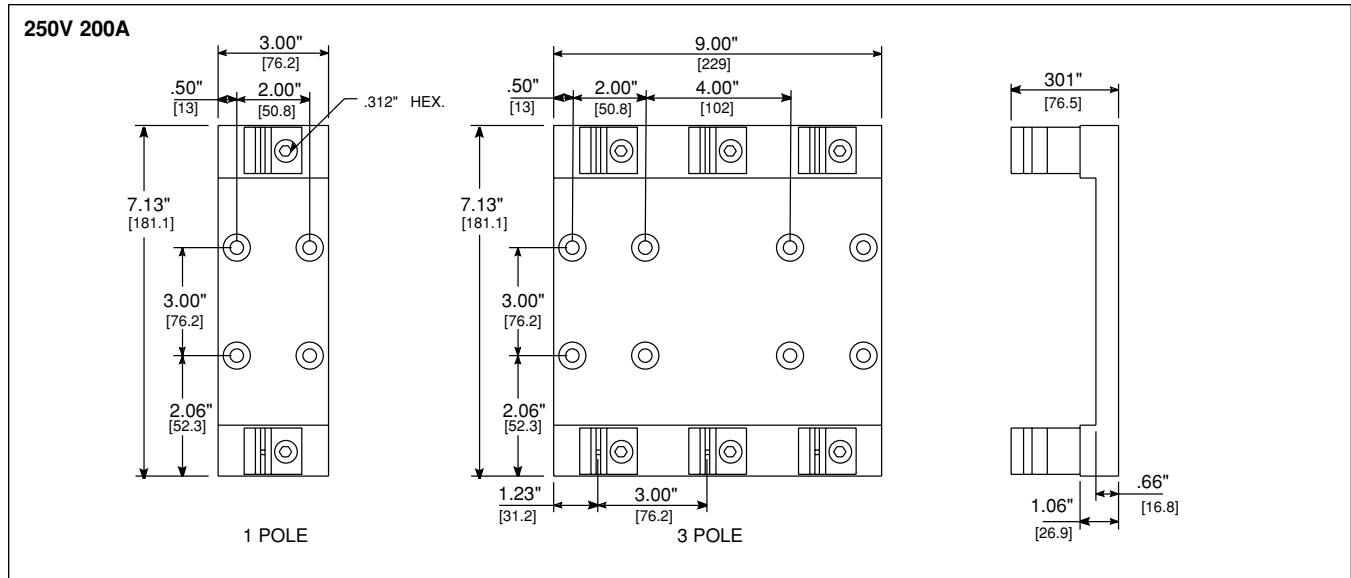


Blocks
And
Holders



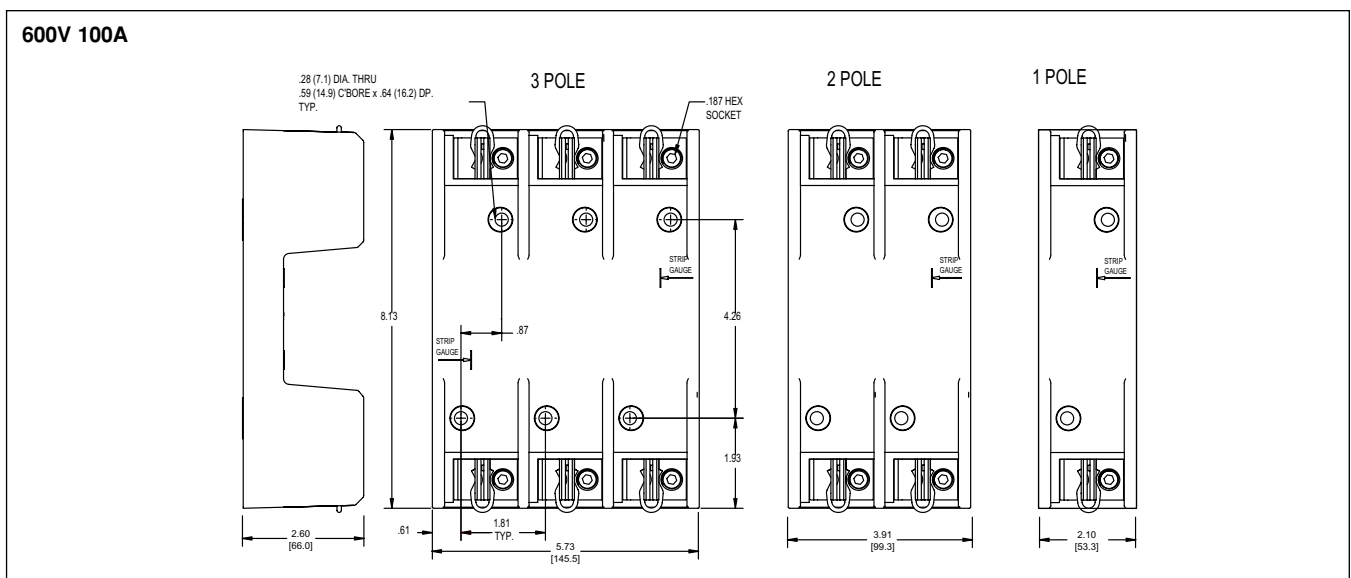
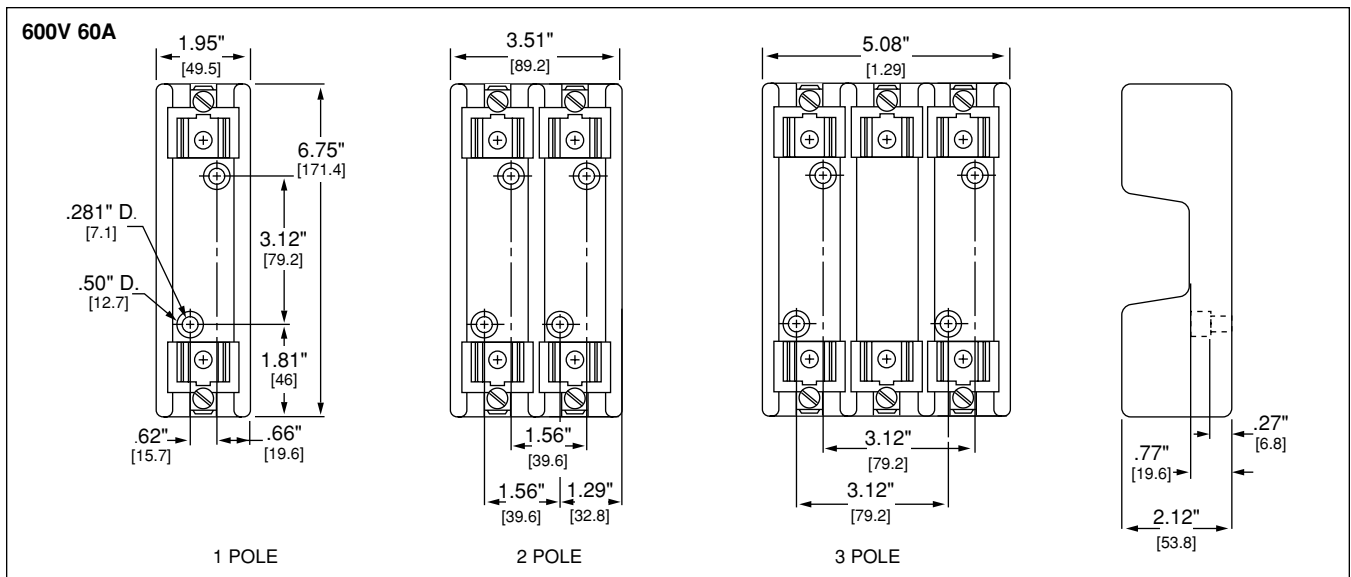
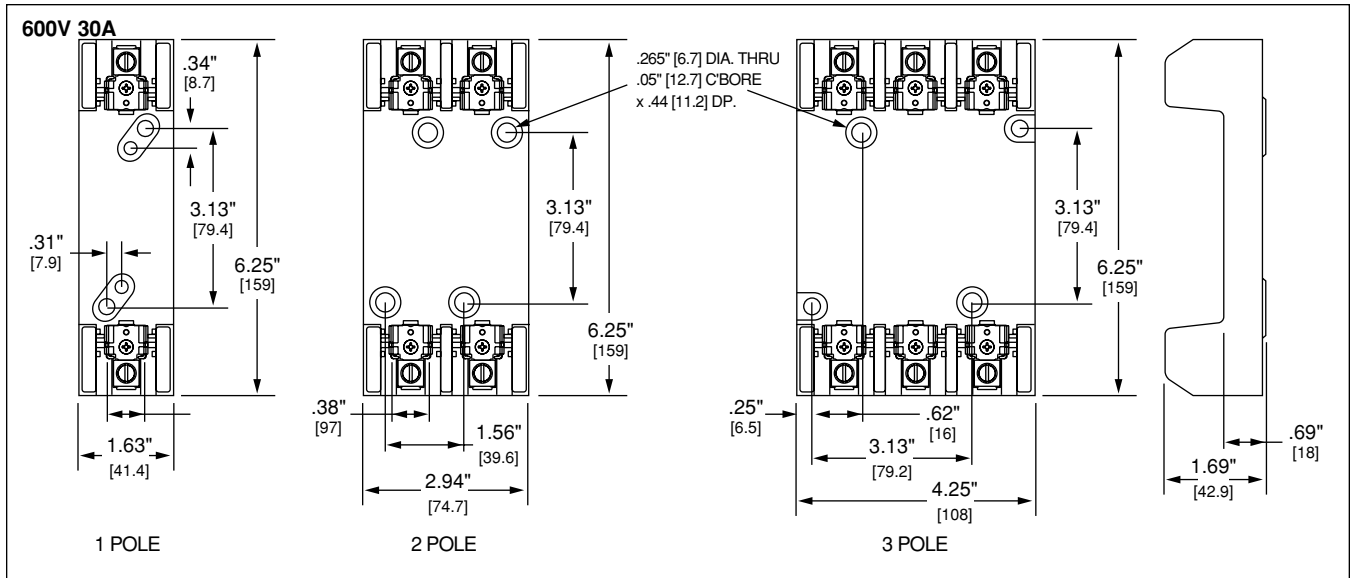
Class H/K5 and R Fuse Blocks

250 Volt



Class H/K5 and R Fuse Blocks

600 Volt



Blocks
And
Holders

Class H/K5 and R Fuse Blocks

600 Volt

