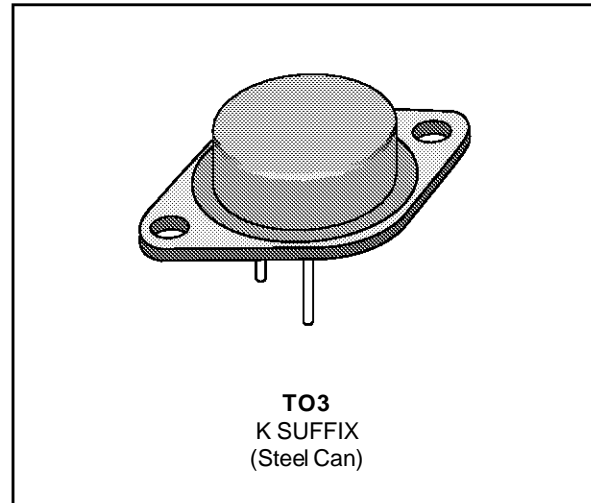


**THREE-TERMINAL 3 A  
ADJUSTABLE VOLTAGE REGULATORS**

- GUARANTEED 3A OUTPUT CURRENT
- ADJUSTABLE OUTPUT DOWN TO 1.2V
- LINE REGULATION TYPICALLY 0.005% /V
- LOAD REGULATION TYPICALLY 0.1%
- GUARANTEED THERMAL REGULATION
- CURRENT LIMIT CONSTANT WITH TEMPERATURE
- STANDARD 3-LEAD TRANSISTOR PACKAGE

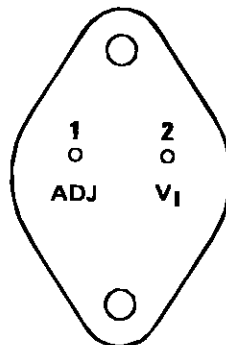


**ORDER CODE**

PART NUMBER	TEMPERATURE RANGE	PACKAGE
		K
LM150	-55 °C to + 150 °C	•
LM250	-25 °C to + 150 °C	•
LM350	0 °C to + 125 °C	•

**EXAMPLE:** LM150K

**PIN CONNECTION**  
(bottom view)



Case is output

# LM150-LM250-LM350

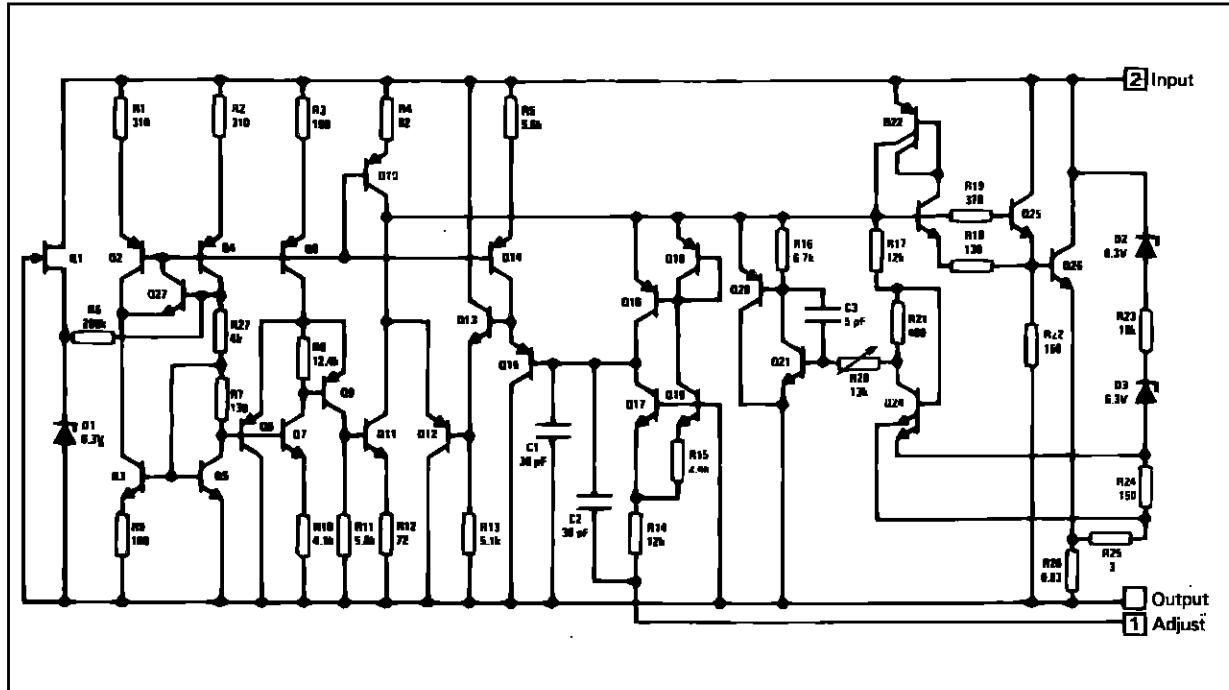
## ABSOLUTE MAXIMUM RATING

Symbol	Parameter	Value	Unit	
$P_{tot}$	Power Dissipation	Internally Limited	W	
$V_I - V_O$	Input-Output Voltage Differential	35	V	
$T_{oper}$	Operating Junction Temperature Range	LM150 LM250 LM350	-55 to 150 -25 to 150 0 to 125	°C
$T_{stg}$	Storage Temperature Range		-65 to 150	°C
$T_{lead}$	Lead Temperature (Soldering, 10 seconds)		300	°C

## THERMAL CHARACTERISTICS

Symbol	Parameter	Value	Unit
$R_{th(j-c)}$	Typical Junction-Case Thermal Resistance	1.5	°C/W
$R_{th(j-a)}$	Max Junction-Ambient Thermal Resistance	35	°C/W

## SCHEMATIC DIAGRAM



**ELECTRICAL CHARACTERISTICS**

**LM150:**  $-55\text{ }^{\circ}\text{C} \leq T_j \leq 150\text{ }^{\circ}\text{C}$ ,  $V_I - V_O = 5\text{V}$ ,  $I_O = 1.5\text{A}$

**LM250:**  $-25\text{ }^{\circ}\text{C} \leq T_j \leq 150\text{ }^{\circ}\text{C}$ ,  $V_I - V_O = 5\text{V}$ ,  $I_O = 1.5\text{A}$

**LM350:**  $0\text{ }^{\circ}\text{C} \leq T_j \leq 150\text{ }^{\circ}\text{C}$ ,  $V_I - V_O = 5\text{V}$ ,  $I_O = 1.5\text{A}$

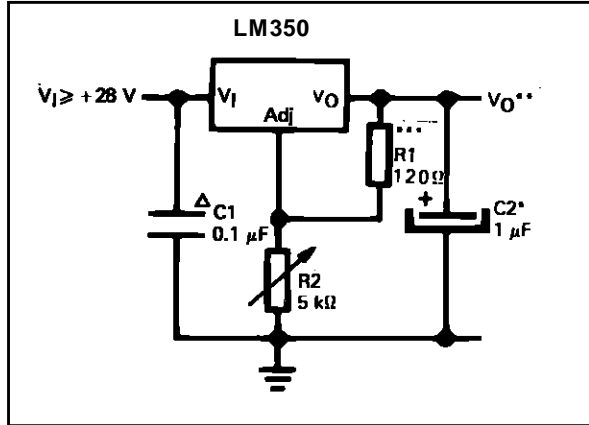
Although power dissipation is internally limited, these specifications apply to power dissipation up to 30W (unless otherwise specified).

Symbol	Parameter	LM150-LM250			LM350			Unit
		Min.	Typ.	Max.	Min.	Typ.	Max.	
$K_{VI}$	Line Regulation - (note 1) $T_{amb} = 25\text{ }^{\circ}\text{C}$ , $3\text{V} \leq (V_I - V_O) \leq 35\text{V}$		0.005	0.01		0.005	0.03	%/V
$K_{VO}$	Load Regulation $T_{amb} = 25\text{ }^{\circ}\text{C}$ , $10\text{mA} \leq I_O \leq 3\text{A}$ $V_O \leq 5\text{V}$ - (note 1) $V_O \geq 5\text{V}$ - (note 1)		5 0.1	15 0.3		5 0.1	25 0.5	mV %
	Thermal Regulation (pulse = 20 ms)		0.002	0.01		0.002	0.02	%/W
$I_{adj}$	Adjustment Pin Current		50	100		50	100	$\mu\text{A}$
$\Delta I_{adj}$	Adjustment Pin Current Change $10\text{mA} \leq I_L \leq 3\text{A}$ , $3\text{V} \leq (V_I - V_O) \leq 35\text{V}$		0.2	5		0.2	5	$\mu\text{A}$
$V_{(ref)}$	Reference Voltage $3\text{V} \leq (V_I - V_O) \leq 35\text{V}$ , $10\text{mA} \leq I_O \leq 3\text{A}$ , $P \leq 30\text{W}$	1.19	1.24	1.29	1.19	1.24	1.29	V
$K_{VI}$	Line Regulation - (note 1) $3\text{V} \leq (V_I - V_O) \leq 35\text{V}$		0.02	0.05		0.02	0.05	%/V
$K_{VO}$	Load Regulation $10\text{mA} \leq I_O \leq 3\text{A}$ $V_O \leq 5\text{V}$ - (note 1) $V_O \geq 5\text{V}$ - (note 1)		20 0.3	50 1		20 0.3	70 1.5	mV %
$K_{VT}$	Temperature Stability ( $T_{min} \leq T_j \leq T_{max}$ )		1			1		%
$I_{O(min)}$	Minimum Load Current ( $V_I - V_O \leq 35\text{V}$ )		3.5	5		3.5	10	mA
$I_{O(max)}$	Current Limit ( $V_I - V_O \leq 10\text{V}$ ) DC $V_I - V_O = 30\text{V}$	3	4.5 1		3	4.5 1		A
	RMS Output Noise, % of $V_O$ ( $T_{amb} = 25\text{ }^{\circ}\text{C}$ , $10\text{Hz} \leq f \leq 10\text{KHz}$ )		0.001			0.001		%
$R_{vf}$	Ripple Rejection Ratio $V_O = 10\text{V}$ , $f = 120\text{Hz}$ $C_{adj} = 10\text{ }\mu\text{F}$	66	65 86		66	65 86		dB
$K_{VH}$	Long Term Stability ( $T_{amb} = 125\text{ }^{\circ}\text{C}$ )		0.3	1		0.3	1	%

**Note 1 :** Regulation is measured at constant junction temperature. Changes in output voltage due to heating effects are taken into account separately by thermal rejection.

TYPICAL APPLICATIONS

+ 1.2V to + 25V ADJUSTABLE REGULATOR



Δ Needed if device is far from filter capacitors.

\* Optional—improves transient response. Output capacitors in the range of 1μF to 100μF of aluminium or tantalum electrolytic are commonly used to provide improved output impedance and rejection of transients.

\*\*  $V_O = 1.25V \left( 1 + \frac{R_2}{R_1} \right)$

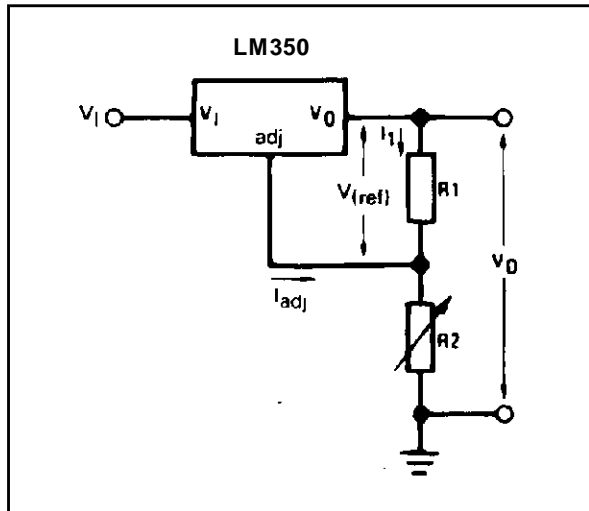
\*\*\* R1 = 240Ω for LM150 and LM250

APPLICATION HINTS

In operation, the LM350 develops a nominal 1.25V reference voltage,  $V_{(ref)}$ , between the output and adjustment terminal. The reference voltage is impressed across program resistor R1 and, since the voltage is constant, a constant current  $I_1$  then flows through the output set resistor R2, giving an output voltage of

$$V_O = V_{(ref)} \left( 1 + \frac{R_2}{R_1} \right) + I_{adj}R_2$$

Figure 1.



Since the 50μA current from the adjustment terminal represents an error term, the LM350 was designed to minimize  $I_{adj}$  and make it very constant with line and load changes. To do this, all quiescent operating current is returned to the output establishing a minimum load current requirement. If there is insufficient load on the output, the output will rise.

EXTERNAL CAPACITORS

An input bypass capacitor is recommended. A 0.1μF disc or 1μF solid tantalum on the input is suitable input by passing for almost all applications. The device is more sensitive to the absence of input bypassing when adjustment or output capacitors are used by the above values will eliminate the possibility of problems.

The adjustment terminal can be bypassed to ground on the LM350 to improve ripple rejection. This bypass capacitor prevents ripple from being amplified as the output voltage is increased. With a 10μF bypass capacitor 75dB ripple rejection is obtainable at any output level. Increases over 20μF do not appreciably improve the ripple rejection at frequencies above 120Hz. If the bypass capacitor is used, it is sometimes necessary to include protection diodes to prevent the capacitor from discharging through internal low current paths and damaging the device.

In general, the best type of capacitors to use are solid tantalum. Solid tantalum capacitors have low impedance even at high frequencies. Depending upon capacitor construction, it takes about 25μF in aluminum electrolytic to equal 1μF solid tantalum at high frequencies. Ceramic capacitors are also good at high frequencies, but some types have a large decrease in capacitance at frequencies around 0.5MHz. For this reason, 0.01μF disc may seem to work better than a 0.1μF disc as a bypass.

Although the LM350 is stable with no output capacitors, like any feedback circuit, certain values of external capacitance can cause excessive ringing. This occurs with values between 500pF and 5000pF. A 1μF solid tantalum (or 25μF aluminium electrolytic) on the output swamps this effect and insures stability.

LOAD REGULATION

The LM350 is capable of providing extremely good load regulation but a few precautions are needed to obtain maximum performance. The current set resistor connected between the adjustment terminal and the output terminal (usually 240Ω) should be tied directly to the output of the regulator rather than near the load. This eliminates line drops from appearing effectively in series with the reference and degrading regulation. For example, a 15V regulator with 0.05Ω resistance between the regulator and load will have a load regulation due to line resistance of 0.05Ω x  $I_L$ . If the set resistor is connected near the load the effective line resistance

will be  $0.05\Omega (1 + R_2/R_1)$  or in this case, 11.5 times worse.

Figure 2 shows the effect of resistance between the regulator and  $140\Omega$  set resistor.

With the TO-3 package, it is easy to minimize the resistance from the case to the set resistor, by using 2 separate leads to the case. The ground of  $R_2$  can be returned near the ground of the load to provide remote ground sensing and improve load regulation.

PROTECTION DIODES

When external capacitors are used with any IC regulator it is sometimes necessary to add protection diodes to prevent the capacitors from discharging through low current points into the regulator. Most

$20\mu\text{F}$  capacitors have low enough internal series resistance to deliver 20A spikes when shorted. Although the surge is short, there is enough energy to damage parts of the IC.

When an output capacitor is connected to a regulator and the input is shorted, the output capacitor will discharge into the output of the regulator. The discharge current depends on the value of the capacitor, the output voltage of the regulator, and the rate of decrease of  $V_I$ . In the LM350 this discharge path is through a large junction that is able to sustain 25A surge with no problem. This is not true of other types of positive regulators. For output capacitors of  $100\mu\text{F}$  or less at output of 15V or less, there is no need to use diodes.

The bypass capacitor on the adjustment terminal can discharge through a low current junction. Discharge occurs when either the input or output is shorted. Internal to the LM350 is a  $50\Omega$  resistor which limits the peak discharge current. No protection is needed for output voltages of 25V or less and  $10\mu\text{F}$  capacitance. Figure 3 shows an LM350 with protection diodes included for use with outputs greater than 25V and high values of output capacitance.

Figure 2 : Regulator with Line Resistance in Output Lead.

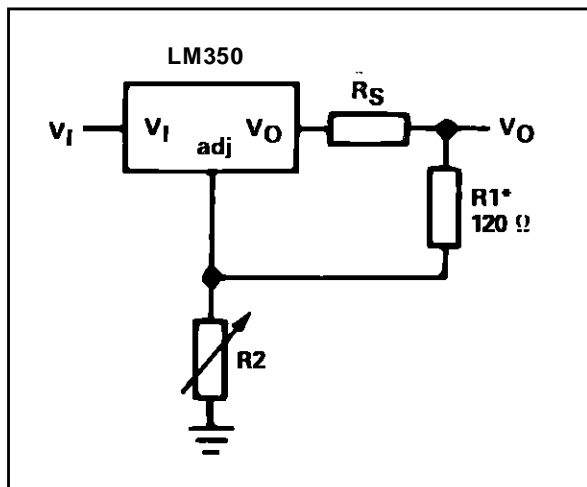
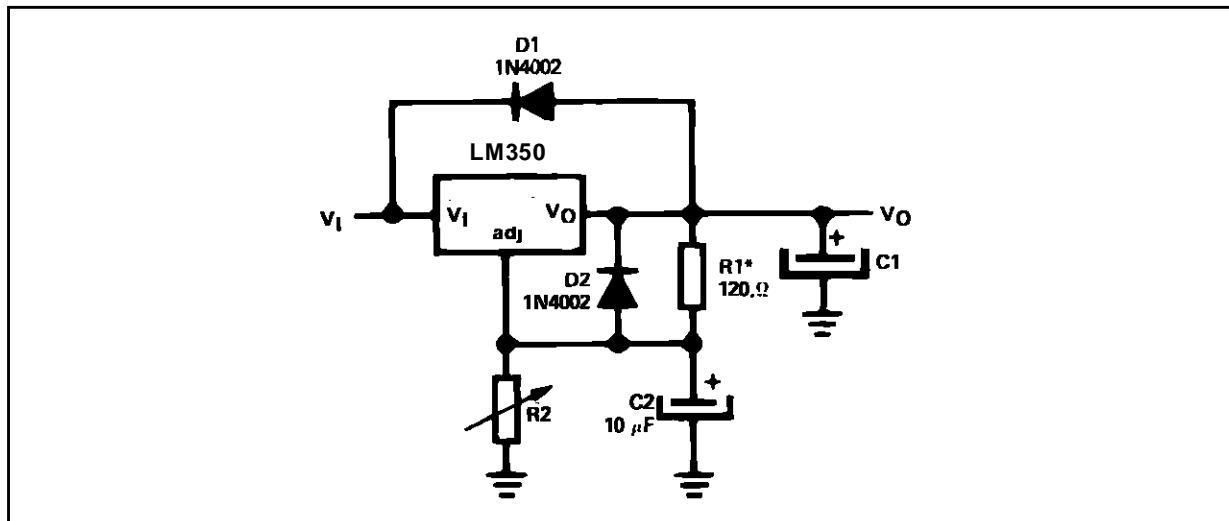
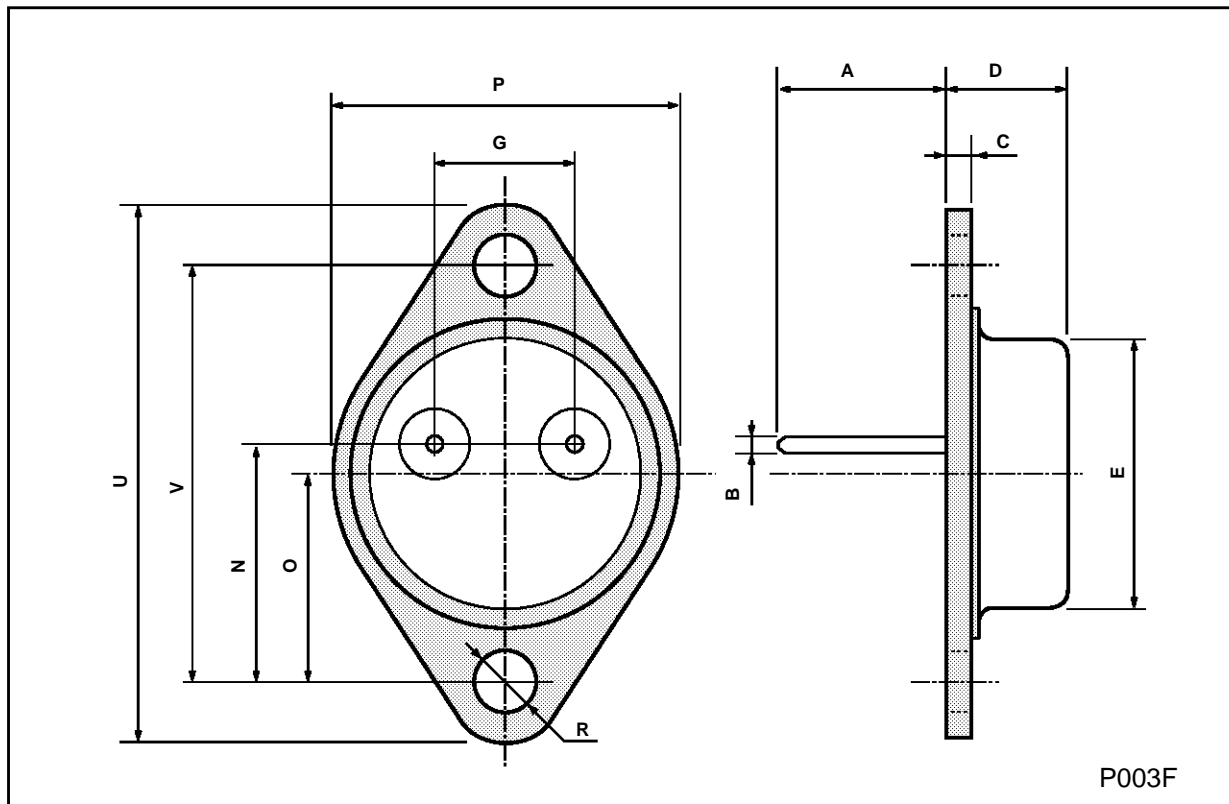


Figure 3 : Regulator with Protection Diodes.



**TO-3 MECHANICAL DATA**

DIM.	mm			inch		
	MIN.	TYP.	MAX.	MIN.	TYP.	MAX.
A	11.00		13.10	0.433		0.516
B	0.97		1.15	0.038		0.045
C	1.50		1.65	0.059		0.065
D	8.32		8.92	0.327		0.351
E	19.00		20.00	0.748		0.787
G	10.70		11.10	0.421		0.437
N	16.50		17.20	0.649		0.677
P	25.00		26.00	0.984		1.023
R	4.00		4.09	0.157		0.161
U	38.50		39.30	1.515		1.547
V	30.00		30.30	1.187		1.193



P003F

Information furnished is believed to be accurate and reliable. However, SGS-THOMSON Microelectronics assumes no responsibility for the consequences of use of such information nor for any infringement of patents or other rights of third parties which may result from its use. No license is granted by implication or otherwise under any patent or patent rights of SGS-THOMSON Microelectronics. Specifications mentioned in this publication are subject to change without notice. This publication supersedes and replaces all information previously supplied. SGS-THOMSON Microelectronics products are not authorized for use as critical components in life support devices or systems without express written approval of SGS-THOMSON Microelectronics.

© 1994 SGS-THOMSON Microelectronics - All Rights Reserved

SGS-THOMSON Microelectronics GROUP OF COMPANIES

Australia - Brazil - France - Germany - Hong Kong - Italy - Japan - Korea - Malaysia - Malta - Morocco - The Netherlands -  
Singapore - Spain - Sweden - Switzerland - Taiwan - Thailand - United Kingdom - U.S.A