



DUAL OPERATIONAL AND LOW VOLTAGE NOISE AMPLIFIER

DESCRIPTION

The UTC **LM833** is integrated circuit amplifiers which combine dual operational and low voltage noise ($4.5nV/\sqrt{Hz}$). It is particularly suited to audio applications.

It offers excellent phase/gain margins and a very low distortion (0.002%).

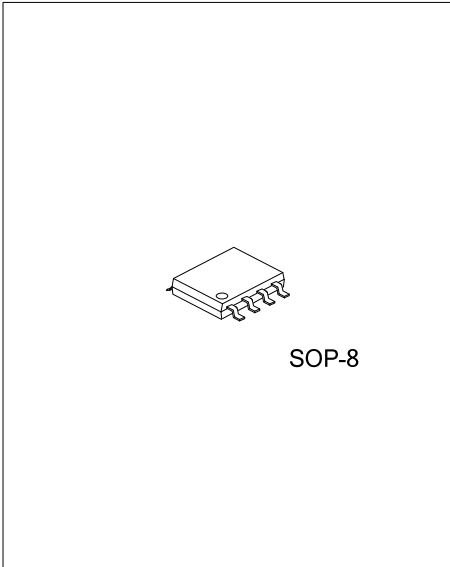
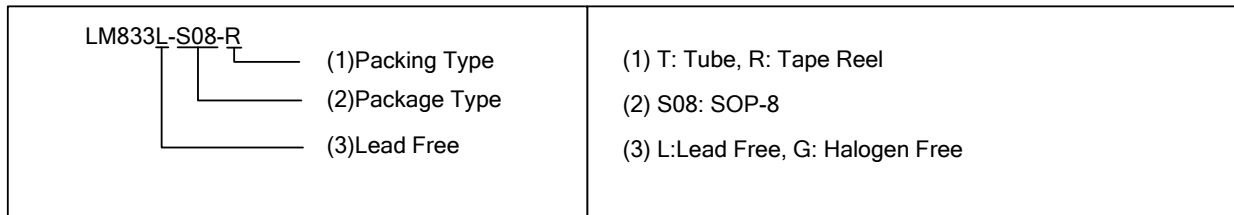
In addition, the UTC **LM833** has high frequency performances (15 MHz gain bandwidth product, 7V/ μ s slew rate).

FEATURES

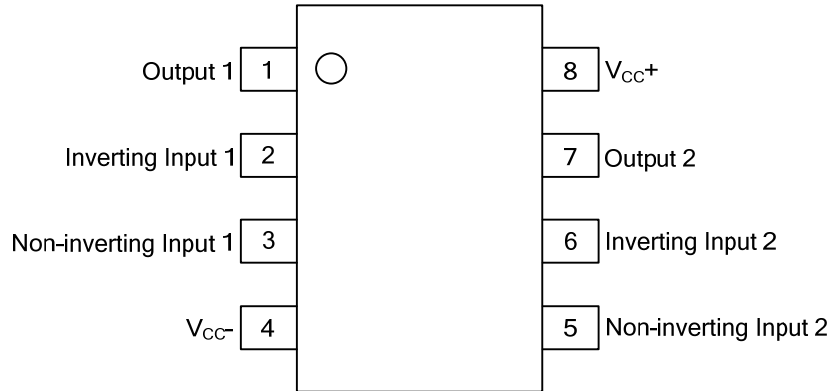
- * High slew rate: 7V/ μ s
- * High gain bandwidth product: 15MHz
- * Excellent frequency stability
- * Low distortion: 0.002%
- * Low voltage noise: 4.5nV/ \sqrt{Hz}

ORDERING INFORMATION

Ordering Number		Package	Packing
Lead Free	Halogen Free		
LM833L-S08-T	LM833G-S08-T	SOP-8	Tube
LM833L-S08-R	LM833G-S08-R	SOP-8	Tape Reel



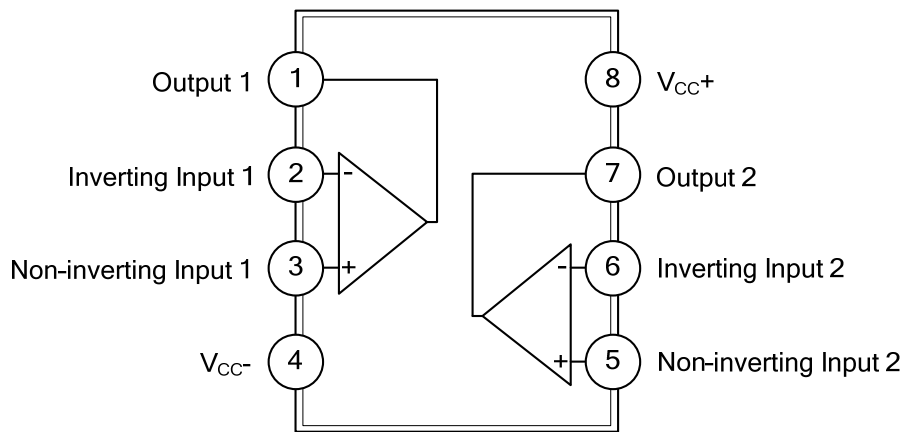
■ PIN CONFIGURATION



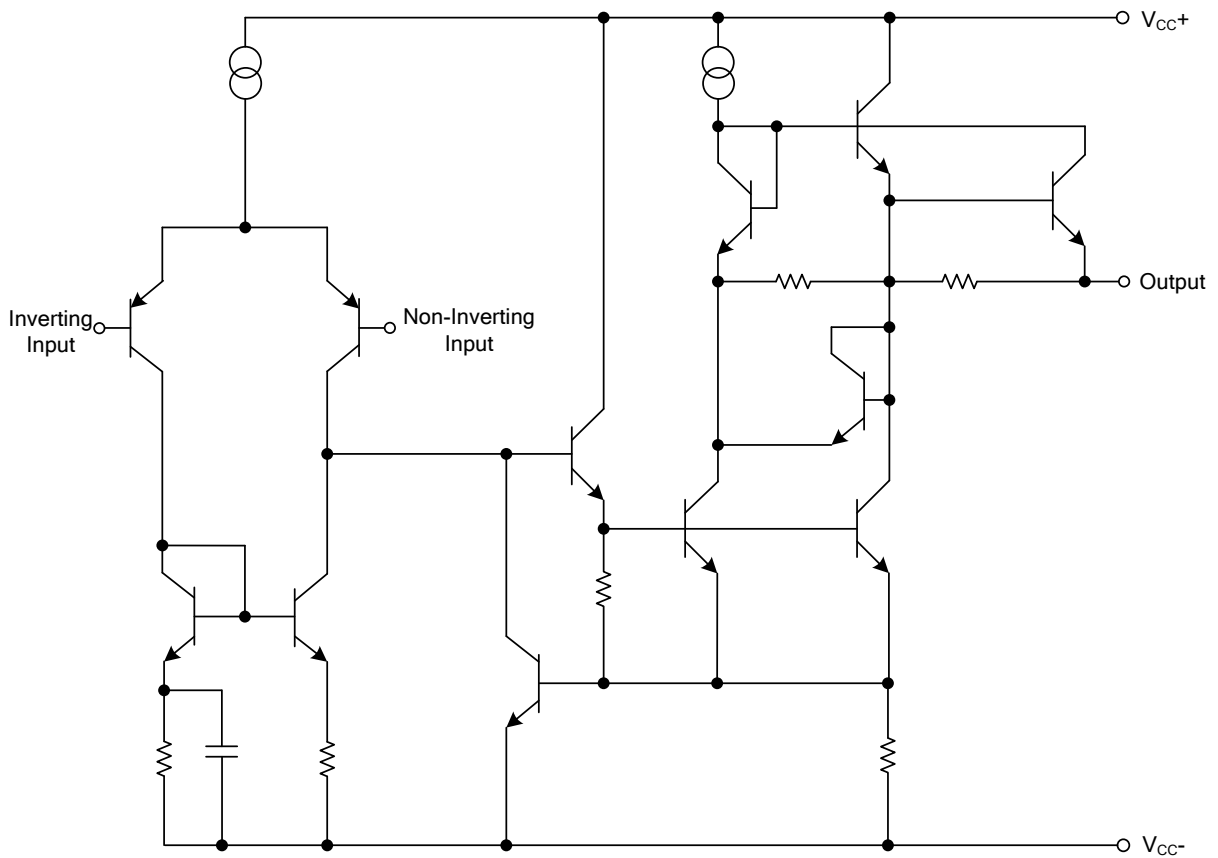
■ PIN DESCRIPTION

PIN NO.	PIN NAME	DESCRIPTION
1	Output 1	The output of channel 1
2	Inverting Input 1	The inverting input of channel 1
3	Non-inverting Input 1	The non-inverting input of channel 1
4	V _{CC-}	Power supply
5	Non-inverting Input 2	The non-inverting input of channel 2
6	Inverting Input 2	The inverting input of channel 2
7	Output 2	The output of channel 2
8	V _{CC+}	Power supply

■ BLOCK DIAGRAM



■ SCHEMATIC DIAGRAM



■ ABSOLUTE MAXIMUM RATING

PARAMETER	SYMBOL	RATINGS	UNIT
Supply Voltage	V_{CC}	± 18 or $+36$	V
Differential Input Voltage (Note 1)	V_{ID}	± 30	V
Input Voltage (Note 1)	V_{IN}	± 15	V
Maximum Power Dissipation (Note 2)	P_D	500	mW
Junction Temperature	T_J	+150	$^{\circ}\text{C}$
Storage Temperature	T_{STG}	-65~150	$^{\circ}\text{C}$

Notes: 1. Either or both input voltages must not exceed the magnitude of V_{CC+} or V_{CC-} .
2. Power dissipation must be considered to ensure maximum junction temperature (T_J) is not exceeded.

■ OPERATING CONDITIONS

PARAMETER	SYMBOL	VALUE	UNIT
Supply Voltage	V_{CC}	$\pm 2.5 \sim \pm 15$	V
Operating Free-Air Temperature Range	T_{OPER}	-40~105	$^{\circ}\text{C}$

■ ELECTRICAL CHARACTERISTICS

($V_{CC+} = +15\text{V}$, $V_{CC-} = -15\text{V}$, $T_{AMB} = 25^{\circ}\text{C}$ (unless otherwise specified))

PARAMETER	SYMBOL	TEST CONDITIONS	MIN	TYP	MAX	UNIT		
Input Offset Voltage	V_{IO}	$R_S = 10\Omega$, $V_O = 0\text{V}$, $V_{IC} = 0\text{V}$		0.3	5	mV		
Input Offset Voltage Drift	DV_{IO}	$R_S = 10\Omega$, $V_O = 0\text{V}$, $T_{MIN} \leq T_{AMB} \leq T_{MAX}$		2		$\mu\text{V}/^{\circ}\text{C}$		
Input Offset Current	I_{IO}	$V_O = 0\text{V}$, $V_{IC} = 0\text{V}$		25	200	nA		
Input Bias Current	I_{IB}	$V_O = 0\text{V}$, $V_{IC} = 0\text{V}$		500	1000	nA		
Input Common Mode Voltage Range	V_{ICM}		± 12	± 14		V		
Large Signal Voltage Gain	A_{VD}	$R_L = 2\Omega$, $V_O = \pm 10\text{V}$	90	100		dB		
Output Voltage Swing	$\pm V_{OPP}$	$V_{ID} = \pm 1\text{V}$	$R_L = 2.0\text{k}\Omega$	10	13.7		V	
			$R_L = 2.0\text{k}\Omega$		-14	-10		V
			$R_L = 10\text{k}\Omega$	12	13.9			V
			$R_L = 10\text{k}\Omega$		-14.4	-12		V
Common-Mode Rejection Ratio	CMR	$V_{IC} = \pm 13\text{V}$	80	100		dB		
Supply Voltage Rejection Ratio	SVR	$V_{CC+}/V_{CC-} = +15\text{V}/-15\text{V} \sim +5\text{V}/-5\text{V}$	80	105		dB		
Supply Current	I_{CC}	$V_O = 0\text{V}$, all amplifiers		4	8	mA		
Slew Rate	SR	$V_I = -10\text{V} \sim +10\text{V}$, $R_L = 2\text{k}\Omega$, $A_V = +1$	5	7		$\text{V}/\mu\text{s}$		
Gain Bandwidth Product	GBW	$R_L = 2\text{k}\Omega$, $C_L = 100\text{pF}$, $f = 100\text{kHz}$	10	15		MHz		
Unity Gain Bandwidth	B	open loop		9		MHz		
Phase Margin	ϕ_m	$R_L = 2\text{k}\Omega$		60		Degrees		
Equivalent Input Noise Voltage	e_N	$R_S = 100\Omega$, $f = 1\text{kHz}$		4.5		$\text{nV}/\sqrt{\text{Hz}}$		
Equivalent Input Noise Current	i_N	$f = 1\text{kHz}$		0.5		$\text{pA}/\sqrt{\text{Hz}}$		
Total Harmonic Distortion	THD	$R_L = 2\text{k}\Omega$, $f = 20\text{Hz} \sim f = 20\text{kHz}$, $V_O = 3V_{RMS}$, $A_V = +1$		0.002		%		
Channel Separation	V_{O1}/V_{O2}	$f = 20\text{Hz} \sim f = 20\text{kHz}$		120		dB		
Full Power Bandwidth	PBW	$V_O = 27V_{PP}$, $R_L = 2\text{k}\Omega$, $\text{THD} \leq 1\%$		120		kHz		

UTC assumes no responsibility for equipment failures that result from using products at values that exceed, even momentarily, rated values (such as maximum ratings, operating condition ranges, or other parameters) listed in products specifications of any and all UTC products described or contained herein. UTC products are not designed for use in life support appliances, devices or systems where malfunction of these products can be reasonably expected to result in personal injury. Reproduction in whole or in part is prohibited without the prior written consent of the copyright owner. The information presented in this document does not form part of any quotation or contract, is believed to be accurate and reliable and may be changed without notice.