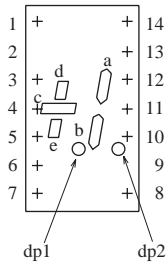


Numeric Display

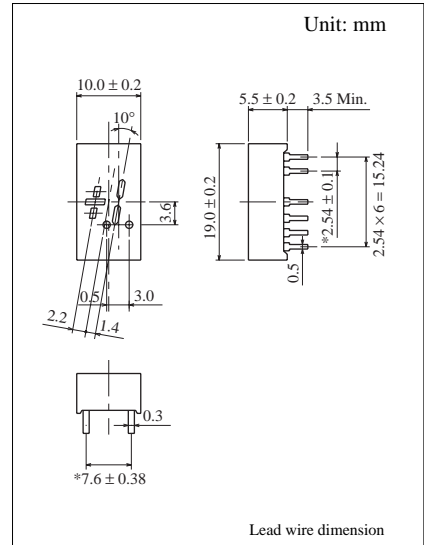
#/ 7.6 mm (.3") Series

Conventional Part No.	Global Part No.	Lighting Color
LN503R	LNM273ZA01	Red
LN503G	LNM373ZA01	Green
LN503Y	LNM473ZA01	Amber

Terminal Connection



Pin No.	Assignment
1	Anode d
2	_____
3	Cathode d
4	Cathode c
5	Cathode e
6	Anode e
7	Anode c
8	Anode dp1
9	_____
10	Cathode dp2
11	Cathode b
12	Cathode a
13	Anode a
14	Anode b



■ Absolute Maximum Ratings ($T_a = 25^\circ\text{C}$)

Lighting Color	P_D (mW)	I_F (mA)	I_{FP} (mA)*	V_R (V)	T_{opr} ($^\circ\text{C}$)	T_{stg} ($^\circ\text{C}$)
Red	60	20	100	5	-25 ~ +80	-30 ~ +85
Green	60	20	100	5	-25 ~ +80	-30 ~ +85
Amber	60	20	100	5	-25 ~ +80	-30 ~ +85

I_{FP} の条件は duty 10% Pulse width 1 msec. The condition of I_{FP} is duty 10%, Pulse width 1 msec

■ Electro-Optical Characteristics ($T_a = 25^\circ\text{C}$)

Conventional Part No.	Lighting Color	Common	I_O / seg		$I_O / \text{d.p}$	I_F	V_F		λ_P	$\Delta\lambda$	I_F	I_R	
			Typ	Min			Typ	Typ				Typ	Max
LN503R	Red	—	400	150	150	5	2.2	2.8	700	100	20	10	5
LN503G	Green	—	1200	400	400	10	2.2	2.8	565	30	20	10	5
LN503Y	Amber	—	600	200	200	10	2.2	2.8	590	30	20	10	5
Unit	—	—	μcd	μcd	μcd	mA	V	V	nm	nm	mA	μA	V

