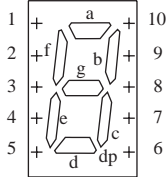


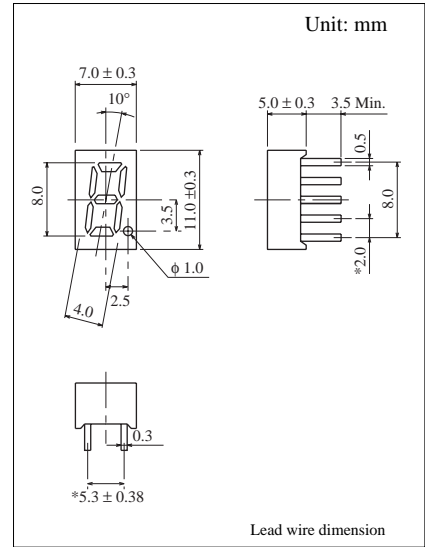
## 1 Digit 8.0 mm (.3") Series

Conventional Part No.	Global Part No.	Lighting Color
LN513RAM	LNM213AM01B	Red
LN513RKM	LNM213KM01B	Red
LN513GAM	LNM313AM01	Green
LN513GKM	LNM313KM01	Green

### Terminal Connection



Pin No.	Assignment	Assignment
1	Cathode a	Anode a
2	Cathode f	Anode f
3	Cathode g	Anode g
4	Cathode e	Anode e
5	Cathode d	Anode d
6	Cathode dp	Cathode dp
7	Anode dp	Anode dp
8	Cathode c	Anode c
9	Common Anode	Common Cathode
10	Cathode b	Anode b



### Absolute Maximum Ratings ( $T_a = 25^\circ\text{C}$ )

Lighting Color	$P_D$ (mW)	$I_F$ (mA)	$I_{FP}$ (mA)*	$V_R$ (V)	$T_{opr}$ ( $^\circ\text{C}$ )	$T_{stg}$ ( $^\circ\text{C}$ )
Red	40	15	80	5	-25 ~ +80	-30 ~ +85
Green	40	15	80	5	-25 ~ +80	-30 ~ +85

$I_{FP}$ の条件は、duty 10%、Pulse width 1 msec. The condition of  $I_{FP}$  is duty 10%, Pulse width 1 msec

### Electro-Optical Characteristics ( $T_a = 25^\circ\text{C}$ )

Conventional Part No.	Lighting Color	Common	$I_O$ / seg		$I_F$	$V_F$		$\lambda_p$	$\Delta\lambda$	$I_F$	$I_R$		
			Typ	Min		Typ	Typ				Max	Max	$V_R$
LN513RAM	Red	Anode	200	70	70	5	2.1	2.8	700	100	10	10	5
LN513RKM	Red	Cathode	200	70	70	5	2.1	2.8	700	100	10	10	5
LN513GAM	Green	Anode	1000	300	300	10	2.1	2.8	565	30	10	10	5
LN513GKM	Green	Cathode	1000	300	300	10	2.1	2.8	565	30	10	10	5
Unit	—	—	$\mu\text{cd}$	$\mu\text{cd}$	$\mu\text{cd}$	mA	V	V	nm	nm	mA	$\mu\text{A}$	V

