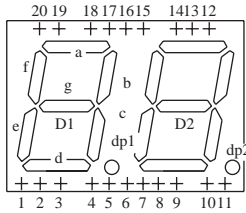


Numeric Display

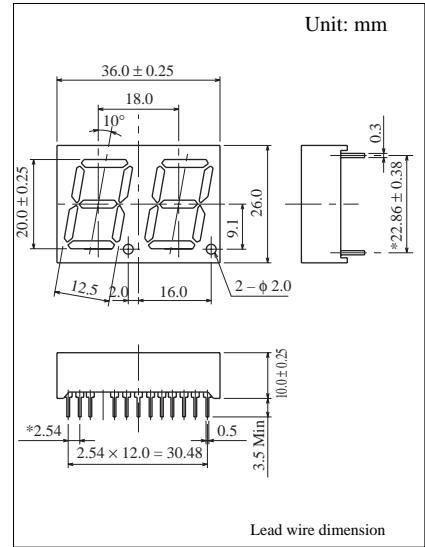
2 Digit 20.0mm (.8") Series

Conventional Part No.	Global Part No.	Lighting Color
LN528YA	LNM428AA01	Amber
LN528YK	LNM428KA01	Amber
LN528OA	LNM828AA01	Orange
LN528OK	LNM828KA01	Orange

Terminal Connection



Pin No.	Assignment	Assignment
1	Cathode e1	Anode e1
2	Cathode d1	Anode d1
3	Common Anode D1	Common Cathode D1
4	Cathode c1	Anode c1
5	Cathode dp1	Anode dp1
6	Cathode e2	Anode e2
7	Cathode d2	Anode d2
8	Common Anode D2	Common Cathode D2
9	Cathode g2	Anode g2
10	Cathode c2	Anode c2
11	Cathode dp2	Anode dp2
12	Cathode b2	Anode b2
13	Cathode a2	Anode a2
14	Cathode f2	Anode f2
15	Common Anode D2	Common Cathode D2
16	Common Anode D1	Common Cathode D1
17	Cathode b1	Anode b1
18	Cathode a1	Anode a1
19	Cathode g1	Anode g1
20	Cathode f1	Anode f1



Absolute Maximum Ratings (T_a = 25°C)

Lighting Color	P _D (mW)	I _F (mA)	I _{FP} (mA)*	V _R (V)	T _{opr} (°C)	T _{stg} (°C)
Amber	60	20	100	5	-25 ~ +80	-30 ~ +85
Orange	60	20	100	5	-25 ~ +80	-30 ~ +85

I_{FP}の条件は、duty 10%、Pulse width 1 msec. The condition of I_{FP} is duty 10%, Pulse width 1 msec

Electro-Optical Characteristics (T_a = 25°C)

Conventional Part No.	Lighting Color	Common	I _O		I _O /d.p	I _F	V _F		λ _p	Δλ	I _F	I _R	
			Typ	Min			Typ	Max				Max	V _R
LN528YA	Amber	Anode	600	200	200	10	2.2	2.8	590	30	20	10	5
LN528YK	Amber	Cathode	600	200	200	10	2.2	2.8	590	30	20	10	5
LN528OA	Orange	Anode	1200	300	500	10	2.1	2.8	630	40	20	10	5
LN528OK	Orange	Cathode	1200	300	500	10	2.1	2.8	630	40	20	10	5
Unit	—	—	μcd	μcd	μcd	mA	V	V	nm	nm	mA	μA	V

