

AMIC

LP61L1024

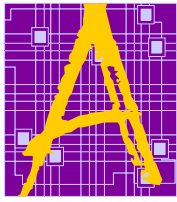
128K X 8 BIT 3.3V HIGH SPEED LOW VCC CMOS SRAM

Document Title

128K X 8 BIT 3.3V HIGH SPEED LOW VCC CMOS SRAM

Revision History

<u>Rev. No.</u>	<u>History</u>	<u>Issue Date</u>	<u>Remark</u>
2.0	Add product family and 32-pin TSSOP package	May 9, 2002	Final
2.1	Add 36 ball BGA package type	August 22, 2002	
2.2	Add Pb-Free package type	August 9, 2004	



128K X 8 BIT 3.3V HIGH SPEED LOW VCC CMOS SRAM

Features

- Single +3.3V power supply
- Access times: 12/15 ns (max.)
- Current: Operating: 170mA (max.)
Standby: 10mA (max.)
- Full static operation, no clock or refreshing required
- All inputs and outputs are directly TTL compatible
- Common I/O using three-state output
- Output enable and two chip enable inputs for easy application
- Data retention voltage: 2.0V (min.)
- Available in 32-pin SOJ 300 mil, 32-pin TSOP and 32-pin TSSOP and 36-pin CSP packages

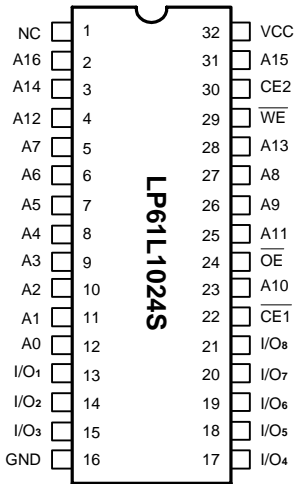
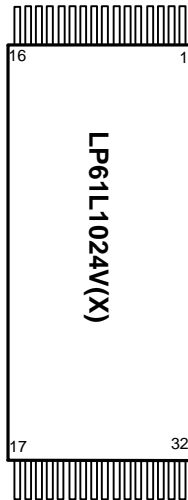
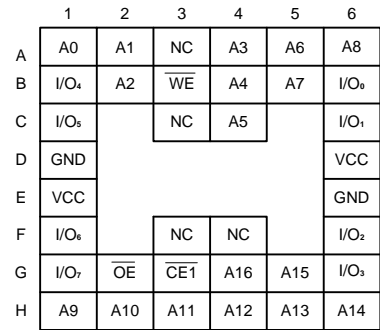
General Description

The LP61L1024 is a low operating current 1,048,576-bit static random access memory organized as 131,072 words by 8 bits and operates on a single 3.3V power supply. Inputs and three-state outputs are TTL compatible and allow for direct interfacing with common system bus structures. Two chip enable inputs are provided for POWER-DOWN and device enable and an output enable input is included for easy interfacing. Data retention is guaranteed at a power supply voltage as low as 2.0V.

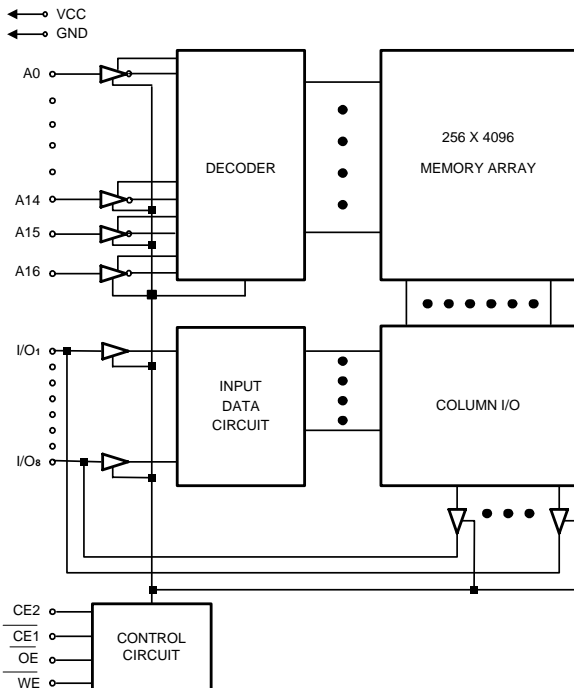
Product Family

Product Family	Operating Temperature	VCC Range	Speed	Power Dissipation			Package Type
				Data Retention (I _{CCDR} , Typ.)	Standby (I _{SB1} , Typ.)	Operating (I _{CC1} , Typ.)	
LP61L1024	0°C ~ 70°C	3V ~ 3.6V	12/15 ns	0.4mA	0.5mA	130mA	32L SOJ 32L TSOP 32L TSSOP 36B μBGA

1. Typical values are measured at VCC = 3.0V, T_A = 25°C and not 100% tested.
2. Data retention current VCC = 2.0V.

Pin Configurations
■ SOJ

■ TSOP / TSSOP

**■ CSP (Chip Size Package)
36-pin Top View**


Pin No.	1	2	3	4	5	6	7	8	9	10	11	12	13	14	15	16
Pin Name	A11	A9	A8	A13	WE	CE2	A15	VCC	NC	A16	A14	A12	A7	A6	A5	A4
Pin No.	17	18	19	20	21	22	23	24	25	26	27	28	29	30	31	32
Pin Name	A3	A2	A1	A0	I/O ₁	I/O ₂	I/O ₃	GND	I/O ₄	I/O ₅	I/O ₆	I/O ₇	I/O ₈	CE1	A10	OE

Block Diagram

Pin Description

Pin No.	Symbol	Description
2 - 12, 23, 25 - 28, 31	A0 - A16	Address Inputs
29	WE	Write Enable
24	OE	Output Enable
22	CE1	Chip Enable
30	CE2	Chip Enable
1	NC	No Connection
13 - 15, 17 - 21	I/O ₁ - I/O ₈	Data Input/Outputs
32	VCC	Power Supply
16	GND	Ground

Recommended DC Operating Conditions

 (T_A = 0°C to + 70°C)

Symbol	Parameter	Min.	Typ.	Max.	Unit
VCC	Supply Voltage	3.0	3.3	3.6	V
GND	Ground	0	0	0	V
V _{IH}	Input High Voltage	2.2	-	VCC + 0.3	V
V _{IL}	Input Low Voltage	-0.3	0	+0.8	V
C _L	Output Load	-	-	30	pF
TTL	Output Load	-	-	1	-

Absolute Maximum Ratings*

VCC to GND-0.5V to +7.0V
 IN, IN/OUT Volt to GND -0.5V to VCC +0.5V
 Operating Temperature, T_{opr}0°C to +70°C
 Storage Temperature, T_{stg}..... -55°C to +125°C
 Temperature Under Bias, T_{bias}..... -10°C to +85°C
 Power Dissipation, P_t..... 1.0W
 Soldering Temp. & Time 260°C, 10 sec

***Comments**

Stresses above those listed under "Absolute Maximum Ratings" may cause permanent damage to this device. These are stress ratings only. Functional operation of this device at these or any other conditions above those indicated in the operational sections of this specification is not implied or intended. Exposure to the absolute maximum rating conditions for extended periods may affect device reliability.

DC Electrical Characteristics (T_A = 0°C to + 70°C, VCC = 3.3V + 10%, GND = 0V)

Symbol	Parameter	LP61L1024-12/15		Unit	Conditions
		Min.	Max.		
I _{LI}	Input Leakage Current	-	2	μA	V _{IN} = GND to VCC
I _{LO}	Output Leakage Current	-	2	μA	$\overline{CE1} = V_{IH}$ or $\overline{CE2} = V_{IL}$ $\overline{OE} = V_{IH}$ or $\overline{WE} = V_{IL}$ V _{I/O} = GND to VCC
I _{CC1} (1)	Dynamic Operating Current	-	170	mA	$\overline{CE1} = V_{IL}$, $\overline{CE2} = V_{IH}$ I _{I/O} = 0 mA
I _{SB}	Standby Power Supply Current	-	30	mA	$\overline{CE1} = V_{IH}$ or $\overline{CE2} = V_{IL}$
I _{SB1}		-	10	mA	$\overline{CE1} \geq VCC - 0.2V$, $\overline{CE2} \geq VCC - 0.2V$, V _{IN} ≤ 0.2V or V _{IN} ≥ VCC - 0.2V
I _{SB2}		-	10	mA	$\overline{CE1} \leq 0.2V$, $\overline{CE2} \leq 0.2V$ V _{IN} ≤ 0.2V or V _{IN} ≥ VCC - 0.2V
V _{OL}	Output Low Voltage	-	0.4	V	I _{oL} = 8 mA
V _{OH}	Output High Voltage	2.4	-	V	I _{oH} = -4 mA

Note: 1. I_{CC1} is dependent on output loading, cycle rates, and Read/Write patterns

Truth Table

Mode	$\overline{CE1}$	CE2	\overline{OE}	\overline{WE}	I/O Operation	Supply Current
Standby	H	X	X	X	High Z	I _{SB} , I _{SB1}
	X	L	X	X	High Z	I _{SB} , I _{SB2}
Output Disable	L	H	H	H	High Z	I _{CC1}
Read	L	H	L	H	D _{OUT}	I _{CC1}
Write	L	H	X	L	D _{IN}	I _{CC1}

Note: X = H or L

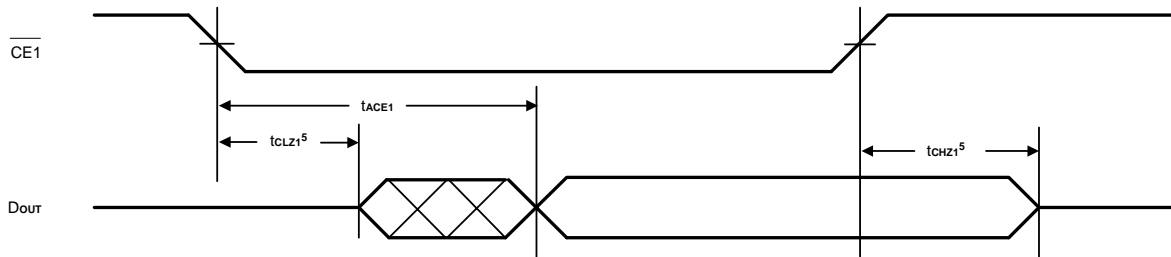
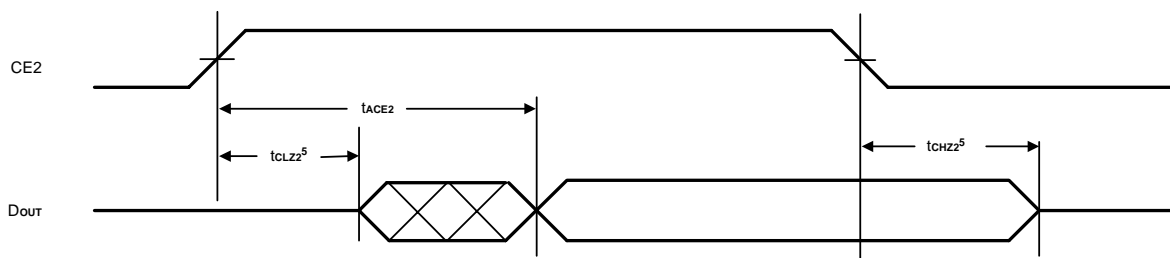
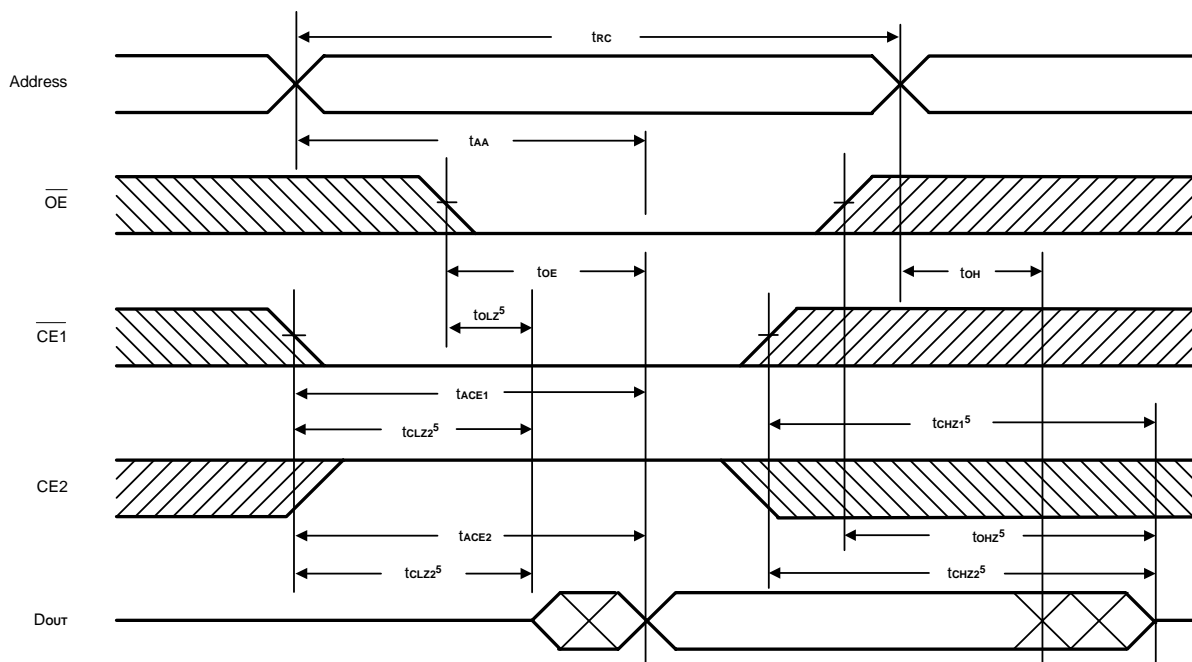
Capacitance (T_A = 25°C, f = 1.0MHz)

Symbol	Parameter	Min.	Max.	Unit	Conditions
C _{IN} *	Input Capacitance		8	pF	V _{IN} = 0V
C _{I/O} *	Input/Output Capacitance		10	pF	V _{I/O} = 0V

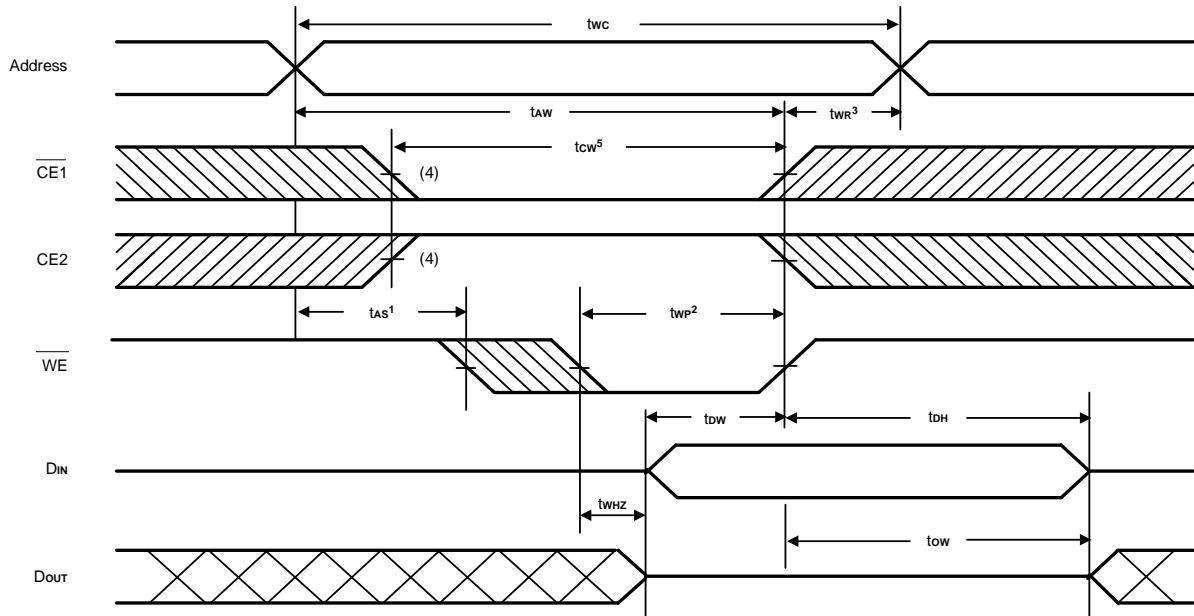
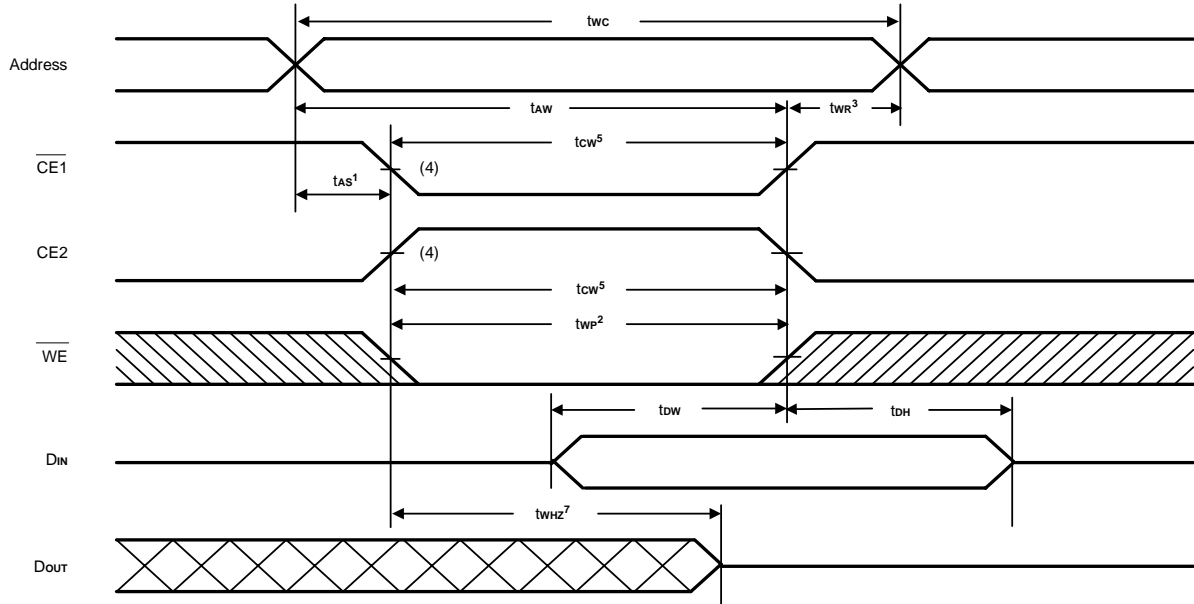
* These parameters are sampled and not 100% tested.

AC Characteristics (T_A = 0°C to +70°C, V_{CC} = 3.3V + 10, GND = 0V)

Symbol	Parameter	LP61L1024-12		LP61L1024-15		Unit	
		Min.	Max.	Min.	Max.		
Read Cycle							
t _{RC}	Read Cycle Time	12	-	15	-	ns	
t _{AA}	Address Access Time	-	12	-	15	ns	
t _{ACE1}	Chip Enable Access Time	$\overline{CE1}$	-	12	-	15	ns
t _{ACE2}		CE2	-	12	-	15	ns
t _{OE}	Output Enable to Output Valid	-	7	-	9	ns	
t _{CLZ1}	Chip Enable to Output in Low Z	$\overline{CE1}$	3	-	5	-	ns
t _{CLZ2}		CE2	3	-	5	-	ns
t _{OLZ}	Output Enable to Output in Low Z	2	-	2	-	ns	
t _{CHZ1}	Chip Disable to Output in High Z	$\overline{CE1}$	-	7	-	10	ns
t _{CHZ2}		CE2	-	7	-	10	ns
t _{OHZ}	Output Disable to Output in High Z	2	7	2	9	ns	
t _{OH}	Output Hold from Address Change	3	-	5	-	ns	

Read Cycle 2 (1, 3, 4, 6)

Read Cycle 3 (1, 4, 7, 8)

Read Cycle 4 (1)


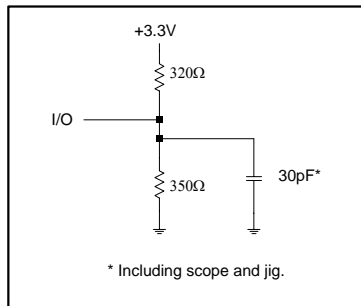
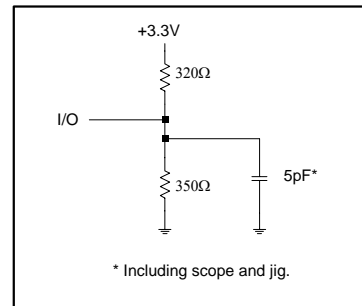
- Notes:
1. \overline{WE} is high for Read Cycle.
 2. Device is continuously enabled $\overline{CE1} = V_{IL}$ and $CE2 = V_{IH}$.
 3. Address valid prior to or coincident with $\overline{CE1}$ transition low.
 4. $OE = V_{IL}$.
 5. Transition is measured $\pm 500mV$ from steady state. This parameter is sampled and not 100% tested.
 6. $CE2$ is high.
 7. $\overline{CE1}$ is low.
 8. Address valid prior to or coincident with $CE2$ transition high.

Timing Waveforms (continued)
**Write Cycle 1⁽⁶⁾
(Write Enable Controlled)**

**Write Cycle 2
(Chip Enable Controlled)**


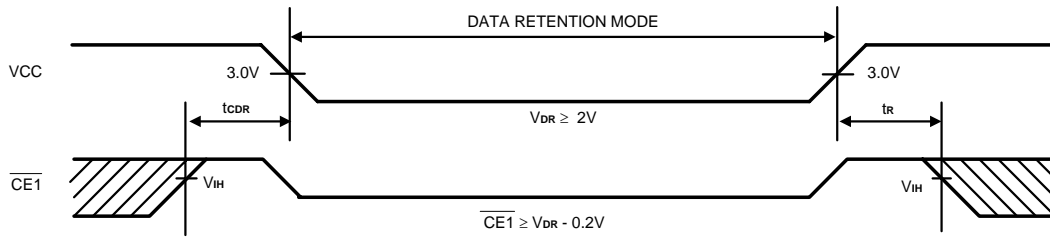
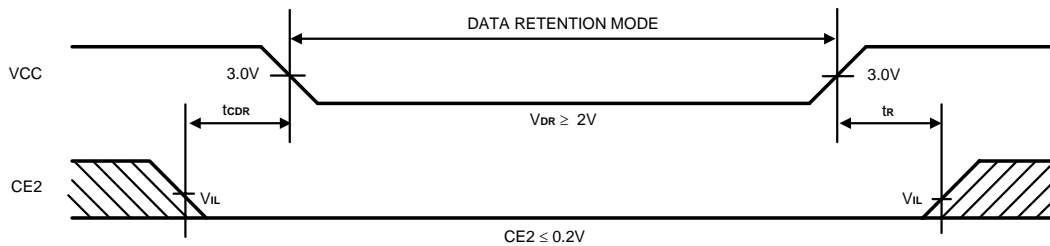
- Notes:
1. t_{as} is measured from the address valid to the beginning of Write.
 2. A Write occurs during the overlap (t_{wp}) of a low $\overline{CE1}$, a high $CE2$ and a low \overline{WE} .
 3. t_{wr} is measured from the earliest of $\overline{CE1}$ or \overline{WE} going high or $CE2$ going low to the end of the Write cycle.
 4. If the $\overline{CE1}$ low transition or the $CE2$ high transition occurs simultaneously with the \overline{WE} low transition or after the \overline{WE} transition, outputs remain in a high impedance state.
 5. t_{cw} is measured from the later of \overline{CE} going low or $CE2$ going high to the end of Write.
 6. \overline{OE} is continuously low. ($\overline{OE} = V_{IL}$)
 7. Transition is measured $\pm 500mV$ from steady state. This parameter is sampled and not 100% tested.

AC Test Conditions

Input Pulse Levels	0V to 3.0V
Input Rise and Fall Time	3 ns
Input and Output Timing Reference Levels	1.5V
Output Load	See Figures 1 and 2


Figure 1. Output Load

Figure 2. Output Load for t_{CLZ1} , t_{CLZ2} , t_{OHZ} , t_{OLZ} , t_{CHZ1} , t_{CHZ2} , t_{WHZ} , and t_{OW}
Data Retention Characteristics ($T_A = 0^\circ\text{C}$ to 70°C)

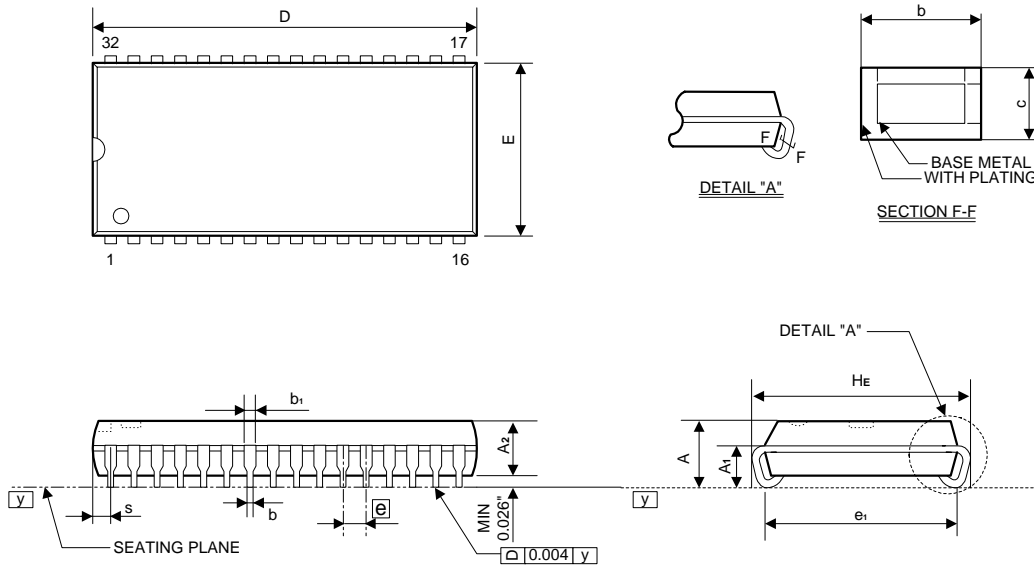
Symbol	Parameter	Min.	Max.	Unit	Conditions
V_{DR1}	VCC for Data Retention	2	3.6	V	$\overline{CE1} \geq V_{CC} - 0.2V$ $CE2 \geq V_{CC} - 0.2V$ or $CE2 \leq 0.2V$
V_{DR2}		2	3.6	V	$CE2 \leq 0.2V$ $\overline{CE1} \geq V_{CC} - 0.2V$ or $\overline{CE1} \leq 0.2V$
I_{CCDR1}	Data Retention Current	-	5	mA	$V_{CC} = 3.0V$ $\overline{CE1} \geq V_{CC} - 0.2V$ $CE2 \geq V_{CC} - 0.2V$ $V_{IN} \geq V_{CC} - 0.2V$ or $V_{IN} \leq 0.2V$
I_{CCDR2}		-	5	mA	$V_{CC} = 3.0V$ $CE2 \leq 0.2V$ $\overline{CE1} \leq 0.2V$ $V_{IN} \geq V_{CC} - 0.2V$ or $V_{IN} \leq 0.2V$
t_{CDR}	Chip Disable to Data Retention Time	0	-	ns	See Retention Waveform
t_r	Operation Recovery Time	5	-	ms	

Low VCC Data Retention Waveform (1) ($\overline{CE1}$ Controlled)

Low VCC Data Retention Waveform (2) (CE2 Controlled)

Ordering Information

Part No.	Access Time (ns)	Operating Current Max. (mA)	Standby Current Max. (mA)	Package
LP61L1024S-12	12	170	10	32L SOJ (300 mil)
LP61L1024S-12F				32L Pb-Free SOJ (300 mil)
LP61L1024V-12				32L TSOP
LP61L1024V-12F				32L Pb-Free TSOP
LP61L1024X-12				32L TSSOP
LP61L1024X-12F				32L Pb-Free TSSOP
LP61L1024U-12				36L CSP
LP61L1024U-12F				36L Pb-Free CSP
LP61L1024S-15	15	170	10	32L SOJ (300 mil)
LP61L1024S-15F				32L Pb-Free SOJ (300 mil)
LP61L1024V-15				32L TSOP
LP61L1024V-15F				32L Pb-Free TSOP
LP61L1024X-15				32L TSSOP
LP61L1024X-15F				32L Pb-Free TSSOP
LP61L1024U-15				36L CSP
LP61L1024U-15F				36L Pb-Free CSP

Package Information
SOJ 32/32LD (300mil BODY) Outline Dimensions

unit: inches/mm



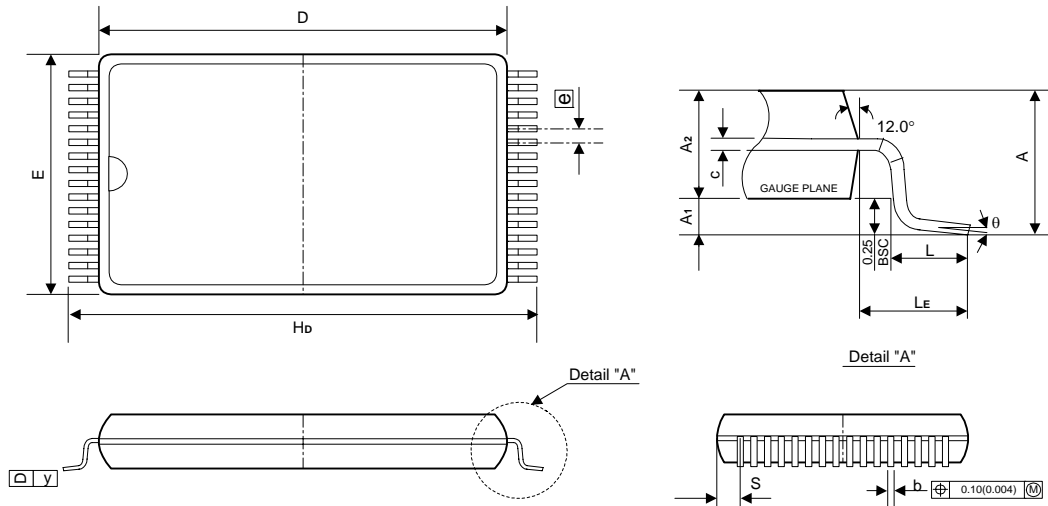
Symbol	Dimensions in inches			Dimensions in mm		
	Min.	Nom.	Max.	Min.	Nom.	Max.
A	0.128	0.132	0.140	3.25	3.35	3.56
A1	0.052	-	-	2.08	-	-
A2	0.095	0.100	0.105	2.41	2.54	2.67
b	0.016	0.018	0.020	0.41	0.46	0.51
b1	0.026	0.028	0.032	0.66	0.71	0.81
c	0.006	0.008	0.012	0.15	0.20	0.30
D	0.820	0.825	0.830	20.83	20.96	21.08
HE	0.330	0.335	0.340	8.39	8.51	8.63
E	0.295	0.300	0.305	7.49	7.62	7.75
e1	0.260	0.267	0.274	6.61	6.78	6.96
e	-	0.050	-	-	1.27	-
s	-	-	0.048	-	-	1.22
y	-	-	0.004	-	-	0.10

Notes:

1. The maximum value of dimension D includes end flash.
2. Dimension E doesn't include resin fins.
3. Dimension e₁ is for PC Board surface mount pad pitch design reference only.
4. Dimension S includes end flash.

Package Information
TSOP 32L TYPE I (8 X 20mm) Outline Dimensions

unit: inches/mm



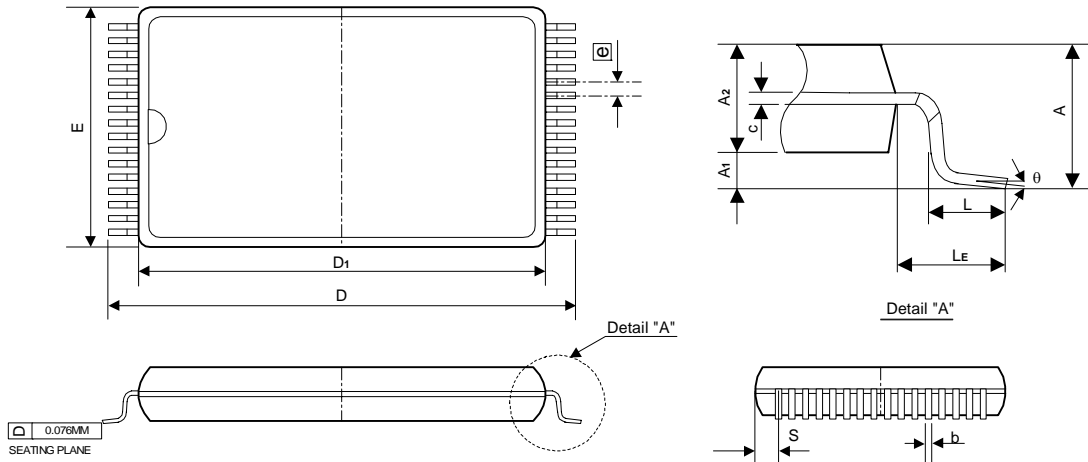
Symbol	Dimensions in inches	Dimensions in mm
A	0.047 Max.	1.20 Max.
A1	0.004±0.002	0.10±0.05
A2	0.039±0.002	1.00±0.05
b	0.008±0.001	0.20±0.03
c	0.006±0.001	0.15±0.02
D	0.724±0.004	18.40±0.10
E	0.315±0.004	8.00±0.10
e ₁	0.020 TYP.	0.50 TYP.
Hb	0.787±0.007	20.00±0.20
L	0.020±0.004	0.50±0.10
LE	0.031 TYP.	0.80 TYP.
S	0.0167 TYP.	0.425 TYP.
Y	0.004 Max.	0.10 Max.
θ	0° ~ 6°	0° ~ 6°

Notes:

1. The maximum value of dimension D includes end flash.
2. Dimension E does not include resin fins.
3. Dimension e₁ is for PC Board surface mount pad pitch design reference only.
4. Dimension S includes end flash.

Package Information
TSSOP 32L TYPE I (8 X 13.4mm) Outline Dimensions

unit: inches/mm



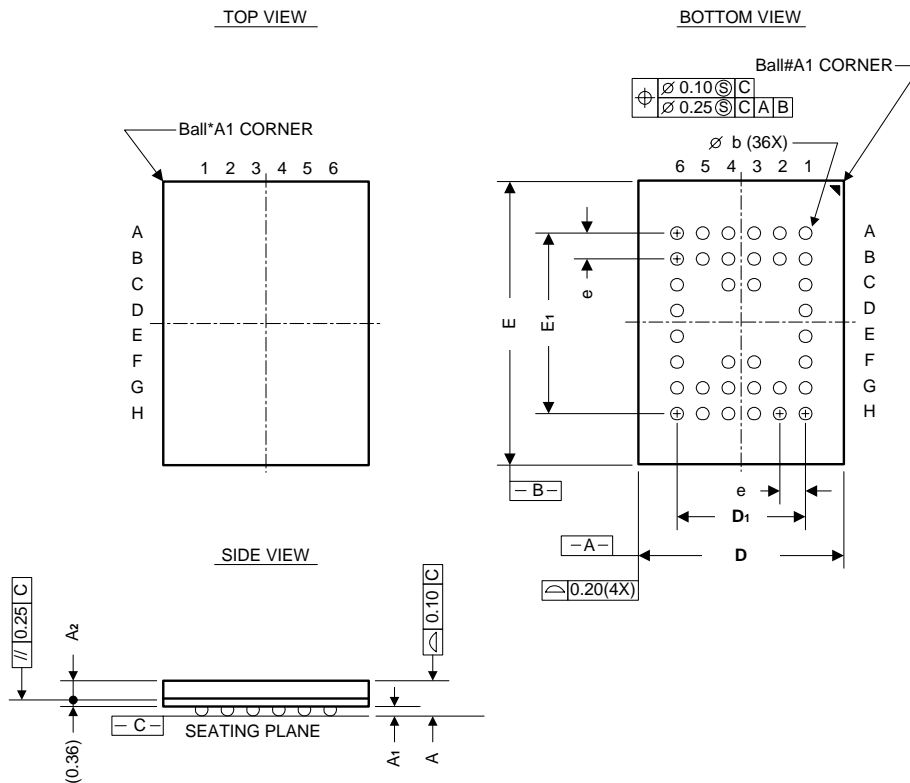
Symbol	Dimensions in inches			Dimensions in mm		
	Min	Nom	Max	Min	Nom	Max
A	-	-	0.049	-	-	1.25
A1	0.002	-	-	0.05	-	-
A2	0.037	0.039	0.041	0.95	1.00	1.05
b	0.007	0.008	0.009	0.17	0.20	0.23
c	0.0056	0.0059	0.0062	0.142	0.150	0.158
E	0.311	0.315	0.319	7.90	8.00	8.10
e	0.020 TYP			0.50 TYP		
D	0.520	0.528	0.535	13.20	13.40	13.60
D1	0.461	0.465	0.469	11.70	11.80	11.90
L	0.012	0.020	0.028	0.30	0.50	0.70
LE	0.0275	0.0315	0.0355	0.700	0.800	0.900
S	0.0109 TYP			0.278 TYP		
θ	0°	3°	5°	0°	3°	5°

Notes:

1. The maximum value of dimension D1 includes end flash.
2. Dimension E does not include resin fins.
3. Dimension S includes end flash.

Package Information
36LD CSP (6 x 8 mm) Outline Dimensions

unit: mm



Symbol	Dimensions in mm		
	MIN.	NOM.	MAX.
A	1.00	1.10	1.20
A ₁	0.16	0.21	0.26
A ₂	0.48	0.53	0.58
D	5.80	6.00	6.20
E	7.80	8.00	8.20
D ₁	---	3.75	---
E ₁	---	5.25	---
e	---	0.75	---
b	0.25	0.30	0.35

Note:

1. THE BALL DIAMETER, BALL PITCH, STAND-OFF & PACKAGE THICKNESS ARE DIFFERENT FROM JEDEC SPEC MO192 (LOW PROFILE BGA FAMILY).
2. PRIMARY DATUM C AND SEATING PLANE ARE DEFINED BY THE SPHERICAL CROWNS OF THE SOLDER BALLS.
3. DIMENSION b IS MEASURED AT THE MAXIMUM.
4. THERE SHALL BE A MINIMUM CLEARANCE OF 0.25mm BETWEEN THE EDGE OF THE SOLDER BALL AND THE BODY EDGE.