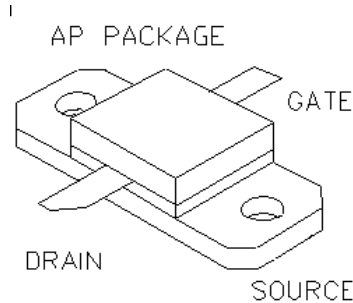




General Description

Silicon VDMOS and LDMOS transistors designed specifically for broadband RF applications. Suitable for Military Radios, Cellular and Paging Amplifier Base Stations, Broadcast FM/AM, MRI, Laser Driver and others.

"Polyfet"TM process features low feedback and output capacitances resulting in high F_t transistors with high input impedance and high efficiency.



SILICON GATE ENHANCEMENT MODE

RF POWER LDMOS TRANSISTOR

35.0 Watts Single Ended

Package Style AP

**HIGH EFFICIENCY, LINEAR
HIGH GAIN, LOW NOISE**

ABSOLUTE MAXIMUM RATINGS (T = 25 °C)

| Total Device Dissipation | Junction to Case Thermal Resistance | Maximum Junction Temperature | Storage Temperature | DC Drain Current | Drain to Gate Voltage | Drain to Source Voltage | Gate to Source Voltage |
|--------------------------|-------------------------------------|------------------------------|---------------------|------------------|-----------------------|-------------------------|------------------------|
| 150 Watts | 1.00 °C/W | 200 °C | -65 °C to 150 °C | 15.0 A | 50V | 50V | 20 V |

RF CHARACTERISTICS (35.0 WATTS OUTPUT)

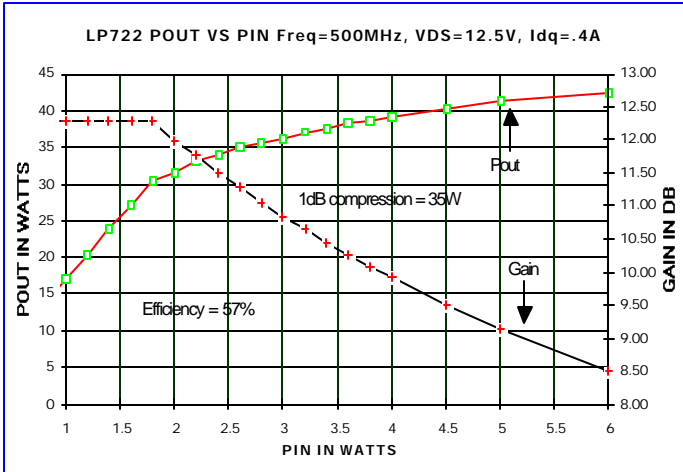
| SYMBOL | PARAMETER | MIN | TYP | MAX | UNITS | TEST CONDITIONS |
|--------|--------------------------|-----|-----|------|----------|--|
| Gps | Common Source Power Gain | 10 | | | dB | Idq = 0.40 A, Vds = 12.5 V, F = 500MHz |
| η | Drain Efficiency | | 55 | | % | Idq = 0.40 A, Vds = 12.5 V, F = 500MHz |
| VSWR | Load Mismatch Tolerance | | | 20:1 | Relative | Idq = 0.40 A, Vds = 12.5 V, F = 500MHz |

ELECTRICAL CHARACTERISTICS (EACH SIDE)

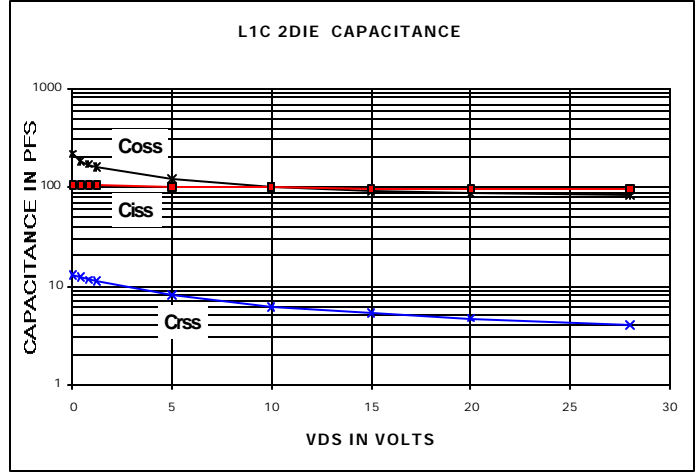
| SYMBOL | PARAMETER | MIN | TYP | MAX | UNITS | TEST CONDITIONS |
|--------|------------------------------------|-----|-------|-----|-------|--------------------------------|
| Bvdss | Drain Breakdown Voltage | 40 | | | V | Ids = 0.40 mA, Vgs = 0V |
| Idss | Zero Bias Drain Current | | | 4.0 | mA | Vds = 12.5 V, Vgs = 0V |
| Igss | Gate Leakage Current | | | 1 | uA | Vds = 0V Vgs = 30V |
| Vgs | Gate Bias for Drain Current | 1 | | 7 | V | Ids = 0.40 A, Vgs = Vds |
| gM | Forward Transconductance | | 3.4 | | Mho | Vds = 10V, Vgs = 5V |
| Rdson | Saturation Resistance | | 0.30 | | Ohm | Vgs = 20V, Ids = 2.00 A |
| Idsat | Saturation Current | | 26.00 | | Amp | Vgs = 20V, Vds = 10V |
| Ciss | Common Source Input Capacitance | | 100.0 | | pF | Vds = 12.5 Vgs = 0V, F = 1 MHz |
| Crss | Common Source Feedback Capacitance | | 4.0 | | pF | Vds = 12.5 Vgs = 0V, F = 1 MHz |
| Coss | Common Source Output Capacitance | | 80.0 | | pF | Vds = 12.5 Vgs = 0V, F = 1 MHz |

LP722

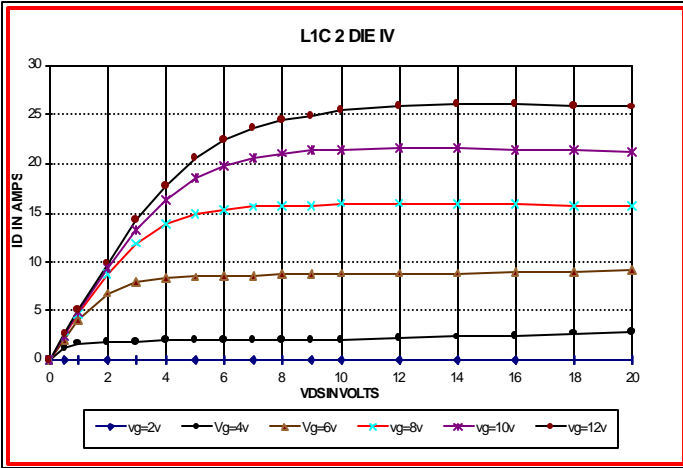
POUT VS PIN GRAPH



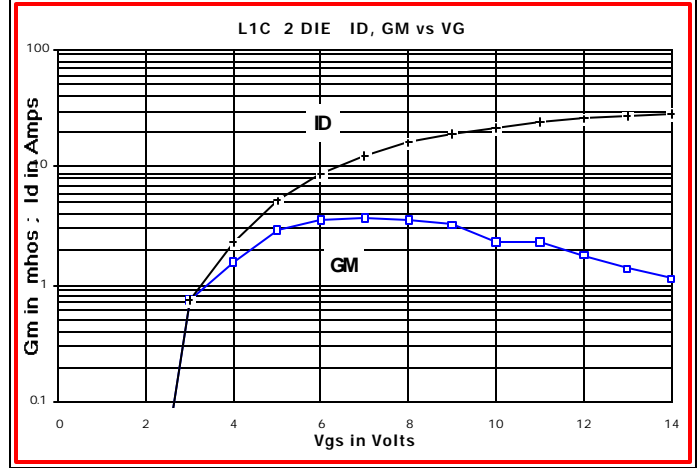
CAPACITANCE VS VOLTAGE



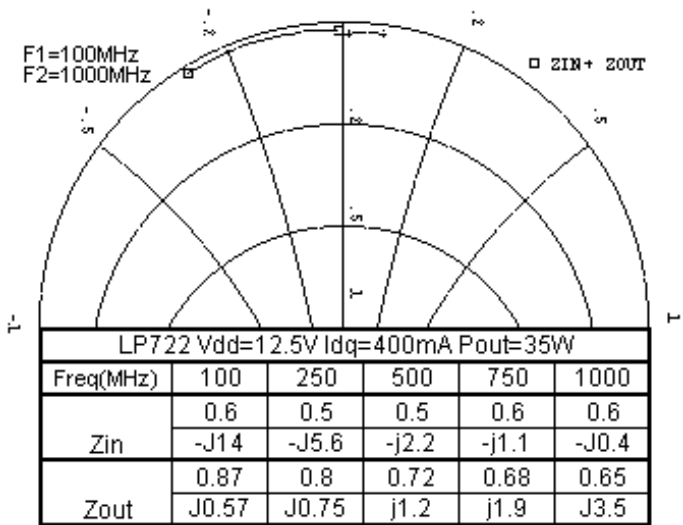
IV CURVE



ID & GM VS VGS



Zin Zout



PACKAGE DIMENSIONS IN INCHES

