

LSFB54-190-004M0

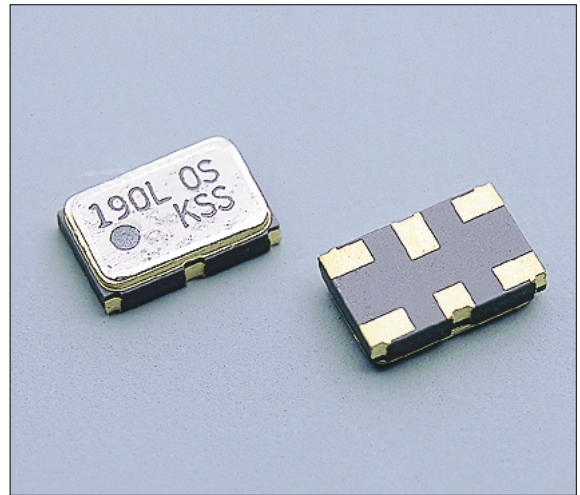
W-CDMA-IF

■Features

- Wide-Band IF filter for W-CDMA.
- Because it is leadless type, automatic mounting is possible.
- Excellent phase characteristics.
- Balance connection type of input and output is available.

■Standard Frequencies

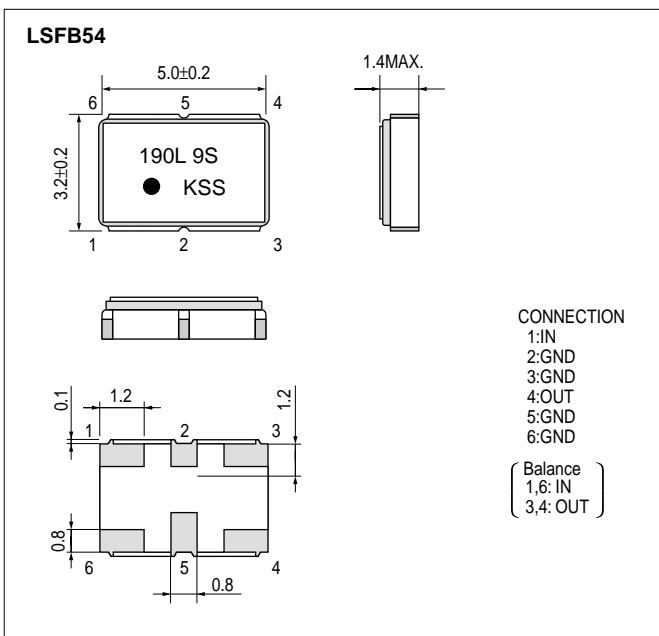
- 190.0MHz.



■Specifications

Item	Unit	Conditions	Specifications
Nominal Frequency	MHz	—	190.0
Operating Temperature Range	°C	-30~+75	—
Storage Temperature Range	°C	-40~+80	—
Pass Bandwidth	MHz	-1dB	±2.5 MIN.
Ripple	dB	±1.92MHz	1.5 MAX.
Insertion Loss	dB	Typical	7.0 MAX.
Guaranteed Attenuation	dB	Fo±5MHz	35 MIN.
		Fo±10MHz	40 MIN.
Phase Linearity	°(rms)	Fo±1.92MHz	3.0 MAX.

■Outline



Dimensions(mm)

■Measurement Circuit

