



SANYO Semiconductors

## DATA SHEET



LV23014T

Bi-CMOS IC

For Mini Component, receiver  
**1-chip Tuner IC**  
**Incorporating PLL**

## Overview

The LV23014T is a Single-chip tuner IC with built-in PLL for mini component, receiver.

## Functions

- AM tuner
- FM tuner
- MPX stereo decoder
- PLL frequency synthesizer

## Specifications

Maximum Ratings at Ta = 25 °C

Parameter	Symbol	Conditions	Ratings	Unit
Maximum supply voltage	V <sub>CC</sub> max	V <sub>CC</sub>	7.0	V
Maximum input voltage	V <sub>IN1</sub> max	CE, CI, CL	7.0	V
	V <sub>IN2</sub> max	XIN	*1 V <sub>reg2</sub> +0.3	V
Maximum output voltage	V <sub>O1</sub> max	DO	7.0	V
	V <sub>O2</sub> max	XOUT, PD	V <sub>reg2</sub> +0.3	V
	V <sub>O3</sub> max	BO1, AOUT	12.0	V
Allowable power dissipation	P <sub>d</sub> max	Ta ≤ 70 °C *2	400	mW
Operating temperature	T <sub>opr</sub>		-20 to +70	°C
Storage temperature	T <sub>stg</sub>		-40 to +125	°C

\*1 V<sub>reg2</sub> : 21 pin output voltage (Reference voltage of PLL) Reference value (3.0V±0.2V)

\*2 Specified board : 114.3mm×76.1mm×1.6mm, glass epoxy board.

- CCB is a registered trademark of SANYO Electric Co., Ltd.
- CCB is SANYO Semiconductor's original bus format. All bus addresses are managed by SANYO Semiconductor for this format.

■ Any and all SANYO Semiconductor Co., Ltd. products described or contained herein are, with regard to "standard application", intended for the use as general electronics equipment (home appliances, AV equipment, communication device, office equipment, industrial equipment etc.). The products mentioned herein shall not be intended for use for any "special application" (medical equipment whose purpose is to sustain life, aerospace instrument, nuclear control device, burning appliances, transportation machine, traffic signal system, safety equipment etc.) that shall require extremely high level of reliability and can directly threaten human lives in case of failure or malfunction of the product or may cause harm to human bodies, nor shall they grant any guarantee thereof. If you should intend to use our products for applications outside the standard applications of our customer who is considering such use and/or outside the scope of our intended standard applications, please consult with us prior to the intended use. If there is no consultation or inquiry before the intended use, our customer shall be solely responsible for the use.

■ Specifications of any and all SANYO Semiconductor Co., Ltd. products described or contained herein stipulate the performance, characteristics, and functions of the described products in the independent state, and are not guarantees of the performance, characteristics, and functions of the described products as mounted in the customer's products or equipment. To verify symptoms and states that cannot be evaluated in an independent device, the customer should always evaluate and test devices mounted in the customer's products or equipment.

**SANYO Semiconductor Co., Ltd.**

TOKYO OFFICE Tokyo Bldg., 1-10, 1 Chome, Ueno, Taito-ku, TOKYO, 110-8534 JAPAN

# LV23014T

## Operating Condition at Ta = 25 °C

Parameter	Symbol	Conditions	Ratings	Unit
Recommended supply voltage	V <sub>CC</sub>		5.0	V
Operating supply voltage range	V <sub>CC op</sub>		4.0 to 6.0	V

## PLL block Allowable Operating Range at Ta = -20°C to +70°C, V<sub>SS</sub> = 0V

Parameter	Symbol	Conditions	Ratings			Unit
			min	typ	max	
Input high level voltage	V <sub>IH</sub>	CE, CL, DI	0.7Vreg2		6.0	V
Input low level voltage	V <sub>IL</sub>	CE, CL, DI	0		0.3Vreg2	V
Output voltage	V <sub>O1</sub>	DO	0		6.0	V
	V <sub>O2</sub>	BO1, AOUT	0		10	V
Operating frequency	f <sub>IN1</sub>	XIN ; V <sub>IN1</sub>		4.5		MHz
	f <sub>IN2</sub>	FMIN ; V <sub>IN2</sub>	10		160	MHz
	f <sub>IN3</sub>	AMIN (SNS = 1) ; V <sub>IN3</sub>	2		40	MHz
	f <sub>IN4</sub>	AMIN (SNS = 0) ; V <sub>IN4</sub>	0.5		10	MHz

Note : The XIN pin has extremely high input impedance, so that due care must be taken to prevent leakage.

## Operating Characteristics at Ta = 25°C, V<sub>CC</sub> = 5.0V, for the specified test circuit.

Parameter	Symbol	Conditions	Ratings			Unit
			min	typ	max	
<b>FM-FE characteristics</b> : fc = 98MHz, fm = 1kHz, 22.5kHzdev.						
3dB sensitivity	-3dB LS	60dBμV, 22.5kHzdev output reference, -3dB input		5		dBμV EMF
Practical sensitivity	QS	S/N = Input at S/N = 30dB		8		dBμV EMF
<b>FM-EF stereo characteristics</b> : fc = 98MHz, fm = 1kHz, 75kHzdev, L+R = 90%, Pilot = 10%, V <sub>IN</sub> = 60dBμVEMF						
Stereo ON bandwidth	ST-BW	ST-ON frequency bandwidth, 18pin (DO) output		(300) Reference value		kHz
<b>FM-IF monaural characteristics</b> : fc = 10.7MHz, fm = 1kHz, 75kHzdev.						
Demodulation output	V <sub>O</sub>	100dBμV, 12pin output	750	1000	1200	mVrms
Channel balance	CB	100dBμV, 12pin output	-1.0	0	+1.0	dB
Signal to noise ratio	S/N	100dBμV, 12pin output	68	74		dB
AM suppression ratio	AMR	70dBμV input 12pin output reference, FM = no-mod, AM = 1kHz-30%mod, 12pin output	40	50		dB
Total harmonic distortion (monaural)	THD	100dBμV, 12pin output		0.6	1.5	%
3dB sensitivity	3dB LS	100dBμV, 75kHzdev output reference, -3dB input		38	44	dBμV
IF count sensitivity	IF-C3	SDC0 = 1, SDC1 = 0, 18pin (DO) output	38	46	54	dBμV
Mute attenuation	Mute-Att	100dBμV, 12pin output	60	70		dB
<b>FM-IF stereo characteristics</b> : fc = 10.7MHz, fm = 1kHz, Pilot = 10%						
Separation	SEP	100dBμV, L+R = 90%, L-mod, 12pin output/13pin output	28	38		dB
Total harmonic distortion (main)	THD-ST	100dBμV, L+R = 90%, Main-mod, 12pin output		1.0	2.0	%
Total harmonic distortion (L only)	THD-L	100dBμV, L+R = 90%, L-mod, 12pin output		0.6	2.0	%
Stereo ON sensitivity	ST-ON	100dBμV, L+R = 90%, 18 (DO) pin output	0.6		6.5	%
<b>AM characteristics</b> : fc = 1000kHz, fm = 1kHz, 30%mod						
Detection output 1	V <sub>O1</sub>	23dBμV, 12pin output	60	120	240	mVrms
Detection output 2	V <sub>O2</sub>	80dBμV, 12pin output	220	330	440	mVrms
Signal to noise ratio 1	S/N1	23dBμV, 12pin output	15	20		dB
Signal to noise ratio 2	S/N2	80dBμV, 12pin output	47	54		dB
Total harmonic distortion	THD	80dBμV, 12pin output		1.2	2.5	%
IF count sensitivity	IF-C	18pin (DO) output	16	26	36	dBμV
Mute attenuation	Mute-Att	80dBμV, 12pin output	54	65		dB

Continued on next page.

# LV23014T

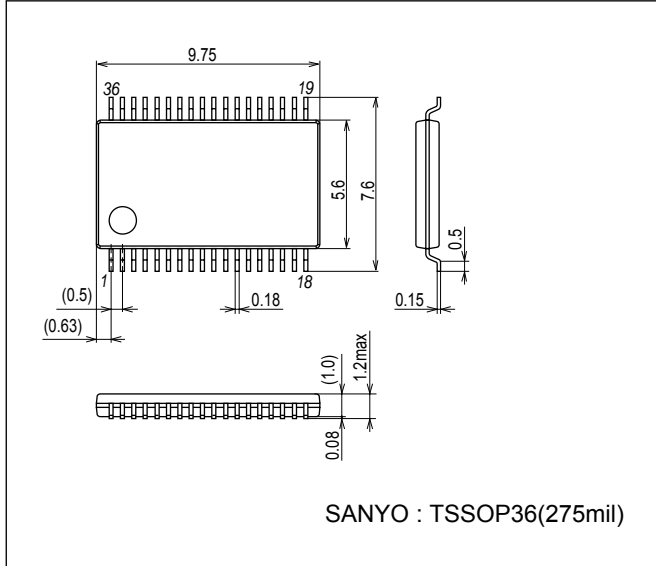
Continued from preceding page.

Parameter	Symbol	Conditions	Ratings			Unit
			min	typ	max	
<b>Current drain</b>						
FM tuner	$I_{CCFM}$	No input at FM	25	35	45	mA
AM tuner	$I_{CCAM}$	No input at AM	11	22	33	mA
<b>PLL characteristics</b>						
Built-in return resistor	Rf	XIN		8		M $\Omega$
Built-in output resistor	Rd	XOUT		250		k $\Omega$
Hysteresis width	$V_{HIS}$	CE, CL, DI		0.1Vreg2		V
Output high level voltage	$V_{OH}$	PD ; $I_O = -1mA$	Vreg2-1.0			V
Output low level voltage	$V_{OL2}$	BO1 ; $I_O = 1mA$			0.25	V
		BO1 ; $I_O = 5mA$			1.25	V
	$V_{OL3}$	DO ; $I_O = 1mA$			0.25	V
	$V_{OL4}$	AOUT ; $I_O = 1mA, A_{IN} = 2.0V$			0.5	V
Input high level current	$I_{IH1}$	CE, CL, DI ; $V_I = 6.0V$			5.0	$\mu A$
	$I_{IH2}$	XIN ; $V_I = V_{DD}$	0.16		0.9	$\mu A$
	$I_{IH3}$	AIN ; $V_I = 6.0V$			200	nA
Input low level current	$I_{IL1}$	CE, CL, DI ; $V_I = 0V$			5.0	$\mu A$
	$I_{IL2}$	XIN ; $V_I = 0V$	0.16		0.9	$\mu A$
	$I_{IL3}$	AIN ; $V_I = 0V$			200	nA
Output off-leak current	$I_{OFF1}$	AOUT, BO1 ; $V_O = 10V$			5.0	$\mu A$
	$I_{OFF2}$	DO ; $V_O = 6.0V$			5.0	$\mu A$

## Package Dimensions

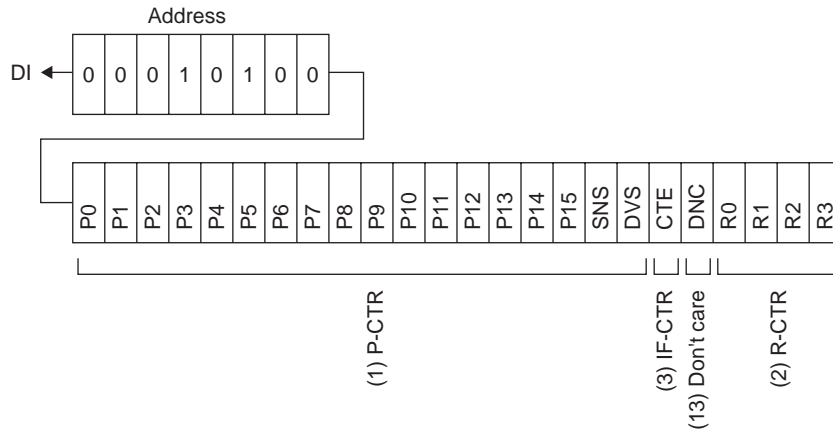
unit : mm (typ)

3253B

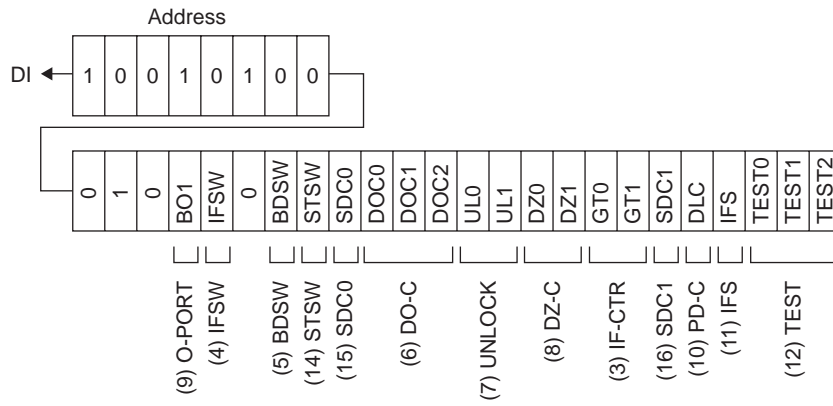


Composition of DI control data (serial data input)

(1) IN mode



(2) IN2 mode



# LV23014T

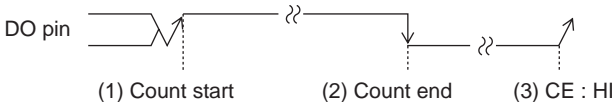
## Description of DI control Data

No.	Control/data	Description	Related data																																																																																					
(1)	Programmable divider data  P0 to P15 DVS, SNS	<ul style="list-style-type: none"> <li>Data to set the number of divisions of programmable divider Binary value using P15 as MSB. LSB varies depending on DVS and SNS.                 (* : don't care)               <table border="1" style="margin-left: 20px;"> <thead> <tr> <th>DVS</th> <th>SNS</th> <th>LSB</th> <th>Set number of divisions (N)</th> <th>Actual number of divisions</th> </tr> </thead> <tbody> <tr> <td>1</td> <td>*</td> <td>P0</td> <td>272 to 65535</td> <td>Twice the set value</td> </tr> <tr> <td>0</td> <td>1</td> <td>P0</td> <td>272 to 65535</td> <td>Set value</td> </tr> <tr> <td>0</td> <td>0</td> <td>P4</td> <td>4 to 4095</td> <td>Set value</td> </tr> </tbody> </table> </li> <li>* LSB : P0 to P3 invalid when LSB is P4.</li> <li>Selection of the signal input (FMIN, AMIN) to the programmable divider and switching of the input frequency.                 (* : don't care)               <table border="1" style="margin-left: 20px;"> <thead> <tr> <th>DVS</th> <th>SNS</th> <th>Input</th> <th>Operation frequency range</th> </tr> </thead> <tbody> <tr> <td>1</td> <td>*</td> <td>FMIN</td> <td>10 to 160MHz</td> </tr> <tr> <td>0</td> <td>1</td> <td>AMIN</td> <td>2 to 40MHz</td> </tr> <tr> <td>0</td> <td>0</td> <td>AMIN</td> <td>0.5 to 10MHz</td> </tr> </tbody> </table> </li> </ul>	DVS	SNS	LSB	Set number of divisions (N)	Actual number of divisions	1	*	P0	272 to 65535	Twice the set value	0	1	P0	272 to 65535	Set value	0	0	P4	4 to 4095	Set value	DVS	SNS	Input	Operation frequency range	1	*	FMIN	10 to 160MHz	0	1	AMIN	2 to 40MHz	0	0	AMIN	0.5 to 10MHz																																																		
DVS	SNS	LSB	Set number of divisions (N)	Actual number of divisions																																																																																				
1	*	P0	272 to 65535	Twice the set value																																																																																				
0	1	P0	272 to 65535	Set value																																																																																				
0	0	P4	4 to 4095	Set value																																																																																				
DVS	SNS	Input	Operation frequency range																																																																																					
1	*	FMIN	10 to 160MHz																																																																																					
0	1	AMIN	2 to 40MHz																																																																																					
0	0	AMIN	0.5 to 10MHz																																																																																					
(2)	Reference divider data  R0 to R3	<ul style="list-style-type: none"> <li>Data to select the reference frequency.               <table border="1" style="margin-left: 20px;"> <thead> <tr> <th>R3</th> <th>R2</th> <th>R1</th> <th>R0</th> <th>Reference frequency</th> </tr> </thead> <tbody> <tr><td>0</td><td>0</td><td>0</td><td>0</td><td>25kHz</td></tr> <tr><td>0</td><td>0</td><td>0</td><td>1</td><td>25kHz</td></tr> <tr><td>0</td><td>0</td><td>1</td><td>0</td><td>25kHz</td></tr> <tr><td>0</td><td>0</td><td>1</td><td>1</td><td>25kHz</td></tr> <tr><td>0</td><td>1</td><td>0</td><td>0</td><td>12.5kHz</td></tr> <tr><td>0</td><td>1</td><td>0</td><td>1</td><td>6.25kHz</td></tr> <tr><td>0</td><td>1</td><td>1</td><td>0</td><td>3.125kHz</td></tr> <tr><td>0</td><td>1</td><td>1</td><td>1</td><td>3.125kHz</td></tr> <tr><td>1</td><td>0</td><td>0</td><td>0</td><td>5kHz</td></tr> <tr><td>1</td><td>0</td><td>0</td><td>1</td><td>5kHz</td></tr> <tr><td>1</td><td>0</td><td>1</td><td>0</td><td>5kHz</td></tr> <tr><td>1</td><td>0</td><td>1</td><td>1</td><td>1kHz</td></tr> <tr><td>1</td><td>1</td><td>0</td><td>0</td><td>3kHz</td></tr> <tr><td>1</td><td>1</td><td>0</td><td>1</td><td>15kHz</td></tr> <tr><td>1</td><td>1</td><td>1</td><td>0</td><td>PLL INHIBIT+X'tal OSC STOP</td></tr> <tr><td>1</td><td>1</td><td>1</td><td>1</td><td>PLL INHIBIT</td></tr> </tbody> </table> </li> <li>* PLL INHIBIT</li> <li>Programmable divider and IF counter blocks stop, FMIN, AMIN, and IFIN inputs enter the pull-down state (GND), and the charge pump has high impedance.</li> </ul>	R3	R2	R1	R0	Reference frequency	0	0	0	0	25kHz	0	0	0	1	25kHz	0	0	1	0	25kHz	0	0	1	1	25kHz	0	1	0	0	12.5kHz	0	1	0	1	6.25kHz	0	1	1	0	3.125kHz	0	1	1	1	3.125kHz	1	0	0	0	5kHz	1	0	0	1	5kHz	1	0	1	0	5kHz	1	0	1	1	1kHz	1	1	0	0	3kHz	1	1	0	1	15kHz	1	1	1	0	PLL INHIBIT+X'tal OSC STOP	1	1	1	1	PLL INHIBIT	
R3	R2	R1	R0	Reference frequency																																																																																				
0	0	0	0	25kHz																																																																																				
0	0	0	1	25kHz																																																																																				
0	0	1	0	25kHz																																																																																				
0	0	1	1	25kHz																																																																																				
0	1	0	0	12.5kHz																																																																																				
0	1	0	1	6.25kHz																																																																																				
0	1	1	0	3.125kHz																																																																																				
0	1	1	1	3.125kHz																																																																																				
1	0	0	0	5kHz																																																																																				
1	0	0	1	5kHz																																																																																				
1	0	1	0	5kHz																																																																																				
1	0	1	1	1kHz																																																																																				
1	1	0	0	3kHz																																																																																				
1	1	0	1	15kHz																																																																																				
1	1	1	0	PLL INHIBIT+X'tal OSC STOP																																																																																				
1	1	1	1	PLL INHIBIT																																																																																				
(3)	IF counter control data  CTE GT0, GT1	<ul style="list-style-type: none"> <li>IF counter measurement start data                CTE = 1 : Count start                = 0 : Count reset</li> <li>Determines the universal counter measurement time.               <table border="1" style="margin-left: 20px;"> <thead> <tr> <th>GT1</th> <th>GT0</th> <th>Measurement time</th> <th>Wait time</th> </tr> </thead> <tbody> <tr> <td>0</td> <td>0</td> <td>4ms</td> <td>3 to 4ms</td> </tr> <tr> <td>0</td> <td>1</td> <td>8ms</td> <td>3 to 4ms</td> </tr> <tr> <td>1</td> <td>0</td> <td>16ms</td> <td>3 to 4ms</td> </tr> <tr> <td>1</td> <td>1</td> <td>32ms</td> <td>3 to 4ms</td> </tr> </tbody> </table> </li> </ul>	GT1	GT0	Measurement time	Wait time	0	0	4ms	3 to 4ms	0	1	8ms	3 to 4ms	1	0	16ms	3 to 4ms	1	1	32ms	3 to 4ms	IFS																																																																	
GT1	GT0	Measurement time	Wait time																																																																																					
0	0	4ms	3 to 4ms																																																																																					
0	1	8ms	3 to 4ms																																																																																					
1	0	16ms	3 to 4ms																																																																																					
1	1	32ms	3 to 4ms																																																																																					
(4)	MUTE IF count output SD time constant changeover control data  IFSW	<ul style="list-style-type: none"> <li>Data to determine the output of the output port IFSW, controlling the MUTE function, IF count output (*1), and SD time constant changeover circuit (*2).                "Data" = 0 : MUTE, IF count output, SD time constant changeover circuit-OFF (during normal reception)                1 : MUTE, IF count output, SD time constant changeover circuit-ON (during search of the desired station)</li> <li>*1 : IF counter buffer output entered in the IF counter circuit of the PLL logic block</li> <li>*2 : The rise time of AM-AGC voltage is shortened through rapid charge to the pin-25 external capacity when IFSW has been set to 1.</li> </ul>																																																																																						
(5)	FM/AM BAND switch control data BDSW	<ul style="list-style-type: none"> <li>Data to determine the output of the output port BDSW, controlling switching of BAND.                "Data" = 0 : AM                1 : FM</li> </ul>																																																																																						

Continued on next page.

# LV23014T

Continued from preceding page.

No.	Control/data	Description	Related data																																				
(6)	DO pin control data  DOC0 DOC1 DOC2	<ul style="list-style-type: none"> <li>Data to determine the output of the DO pin.</li> </ul> <table border="1" style="margin-left: auto; margin-right: auto; border-collapse: collapse;"> <thead> <tr> <th>DOC2</th> <th>DOC1</th> <th>DOC0</th> <th>DO pin state</th> </tr> </thead> <tbody> <tr> <td style="text-align: center;">0</td> <td style="text-align: center;">0</td> <td style="text-align: center;">0</td> <td>Open</td> </tr> <tr> <td style="text-align: center;">0</td> <td style="text-align: center;">0</td> <td style="text-align: center;">1</td> <td>Low detection of unlock</td> </tr> <tr> <td style="text-align: center;">0</td> <td style="text-align: center;">1</td> <td style="text-align: center;">0</td> <td>end-UC (See below)</td> </tr> <tr> <td style="text-align: center;">0</td> <td style="text-align: center;">1</td> <td style="text-align: center;">1</td> <td>Open</td> </tr> <tr> <td style="text-align: center;">1</td> <td style="text-align: center;">0</td> <td style="text-align: center;">0</td> <td>Open</td> </tr> <tr> <td style="text-align: center;">1</td> <td style="text-align: center;">0</td> <td style="text-align: center;">1</td> <td>Low at SD ON</td> </tr> <tr> <td style="text-align: center;">1</td> <td style="text-align: center;">1</td> <td style="text-align: center;">0</td> <td>Low at stereo</td> </tr> <tr> <td style="text-align: center;">1</td> <td style="text-align: center;">1</td> <td style="text-align: center;">1</td> <td>Open</td> </tr> </tbody> </table> <ul style="list-style-type: none"> <li>Open selected with power ON reset</li> <li>* IF counter measurement end check</li> </ul> <div style="text-align: center;">  <p style="margin-left: 100px;">(1) Count start                      (2) Count end                      (3) CE : HI</p> </div> <p>(1) DO pin open automatically when end-UC is set and the IF counter starts (CTE = 0→1).                      (2) DO pin becomes low, enabling check of the counter end when the IF counter measurement is over.                      (3) DO pin open with serial data input/output (CE pin : Hi)</p> <p>Note) DO pin open regardless of the DO pin control data (DOC0 to 2) during data input period (IN1 and IN2 modes CE-Hi period).                      The DO pin state allows output of the content of internal DO serial data in synchronization with CL regardless of the DO pin control data (DOC0 to 2) during data input period (OUT mode CE : Hi period).</p>	DOC2	DOC1	DOC0	DO pin state	0	0	0	Open	0	0	1	Low detection of unlock	0	1	0	end-UC (See below)	0	1	1	Open	1	0	0	Open	1	0	1	Low at SD ON	1	1	0	Low at stereo	1	1	1	Open	UL0, UL1 CTE
DOC2	DOC1	DOC0	DO pin state																																				
0	0	0	Open																																				
0	0	1	Low detection of unlock																																				
0	1	0	end-UC (See below)																																				
0	1	1	Open																																				
1	0	0	Open																																				
1	0	1	Low at SD ON																																				
1	1	0	Low at stereo																																				
1	1	1	Open																																				
(7)	Unlock detection data  UL0, UL1	<ul style="list-style-type: none"> <li>Data to select the phase error (<math>\phi E</math>) detection width to determine if PLL is locked. Unlock is determined when the phase error exceeding the detection width occurs.</li> </ul> <p style="text-align: right;">(* : don't care)</p> <table border="1" style="margin-left: auto; margin-right: auto; border-collapse: collapse;"> <thead> <tr> <th>UL1</th> <th>UL0</th> <th><math>\phi E</math> Detection width</th> <th>Detection output</th> </tr> </thead> <tbody> <tr> <td style="text-align: center;">0</td> <td style="text-align: center;">0</td> <td style="text-align: center;">Stop</td> <td style="text-align: center;">Open</td> </tr> <tr> <td style="text-align: center;">0</td> <td style="text-align: center;">1</td> <td style="text-align: center;">0</td> <td style="text-align: center;"><math>\phi E</math> output directly</td> </tr> <tr> <td style="text-align: center;">1</td> <td style="text-align: center;">*</td> <td style="text-align: center;"><math>\pm 6.67\mu s</math></td> <td style="text-align: center;"><math>\phi E</math> extended by 1 to 2ms</td> </tr> </tbody> </table> <p>* unlock : DO pin becomes Low and the serial data output becomes UL = 0.</p>	UL1	UL0	$\phi E$ Detection width	Detection output	0	0	Stop	Open	0	1	0	$\phi E$ output directly	1	*	$\pm 6.67\mu s$	$\phi E$ extended by 1 to 2ms	DOC0 DOC1 DOC2																				
UL1	UL0	$\phi E$ Detection width	Detection output																																				
0	0	Stop	Open																																				
0	1	0	$\phi E$ output directly																																				
1	*	$\pm 6.67\mu s$	$\phi E$ extended by 1 to 2ms																																				
(8)	Phase comparator control data  DZ0, DZ1	<ul style="list-style-type: none"> <li>Data to control the dead band of phase comparator.</li> </ul> <table border="1" style="margin-left: auto; margin-right: auto; border-collapse: collapse;"> <thead> <tr> <th>DZ1</th> <th>DZ0</th> <th>Deadband mode</th> </tr> </thead> <tbody> <tr> <td style="text-align: center;">0</td> <td style="text-align: center;">0</td> <td style="text-align: center;">DZA</td> </tr> <tr> <td style="text-align: center;">0</td> <td style="text-align: center;">1</td> <td style="text-align: center;">DZB</td> </tr> <tr> <td style="text-align: center;">1</td> <td style="text-align: center;">0</td> <td style="text-align: center;">DZC</td> </tr> <tr> <td style="text-align: center;">1</td> <td style="text-align: center;">1</td> <td style="text-align: center;">DZD</td> </tr> </tbody> </table> <p style="text-align: center;">Dead band : DZA &lt; DZB &lt; DZC &lt; DZD</p>	DZ1	DZ0	Deadband mode	0	0	DZA	0	1	DZB	1	0	DZC	1	1	DZD																						
DZ1	DZ0	Deadband mode																																					
0	0	DZA																																					
0	1	DZB																																					
1	0	DZC																																					
1	1	DZD																																					
(9)	Output port data  $\overline{BO1}$	<ul style="list-style-type: none"> <li>Data to determine the output of output ports <math>\overline{BO1}</math></li> </ul> <p>"Data" = 0 : OPEN                      1 : Low</p>																																					
(10)	Charge pump control data  DLC	<ul style="list-style-type: none"> <li>Data for forced control of the charge pump output</li> </ul> <table border="1" style="margin-left: auto; margin-right: auto; border-collapse: collapse;"> <thead> <tr> <th>DLC</th> <th>Charge pump output</th> </tr> </thead> <tbody> <tr> <td style="text-align: center;">0</td> <td style="text-align: center;">Normal operation</td> </tr> <tr> <td style="text-align: center;">1</td> <td style="text-align: center;">Forced Low</td> </tr> </tbody> </table> <p>When the VCO control voltage (<math>V_{tune}</math>) develops dead lock because of stop of oscillation of VCO at 0V, set the charge pump output to LOW and <math>V_{tune}</math> to <math>V_{CC}</math> to escape the dead lock. (Dead lock clear circuit)</p>	DLC	Charge pump output	0	Normal operation	1	Forced Low																															
DLC	Charge pump output																																						
0	Normal operation																																						
1	Forced Low																																						
(11)	IFS	<ul style="list-style-type: none"> <li>Normally, set data = 1. Setting the data = 0 causes worsening of the input sensitivity, resulting in decrease of the sensitivity by about 10 to 30mVrms.</li> </ul>																																					
(12)	LSI test data  TEST0 to 2	<ul style="list-style-type: none"> <li>LSI test data</li> </ul> <table style="margin-left: auto; margin-right: auto;"> <tr> <td style="text-align: center;">TEST0</td> <td rowspan="3" style="font-size: 2em; vertical-align: middle;">}</td> <td rowspan="3" style="vertical-align: middle;">All to be set to "0"</td> </tr> <tr> <td style="text-align: center;">TEST1</td> </tr> <tr> <td style="text-align: center;">TEST2</td> </tr> </table> <p>All set to 0 for power ON reset</p>	TEST0	}	All to be set to "0"	TEST1	TEST2																																
TEST0	}	All to be set to "0"																																					
TEST1																																							
TEST2																																							
(13)	DNC	<ul style="list-style-type: none"> <li>Set data = 0.</li> </ul>																																					

Continued on next page.

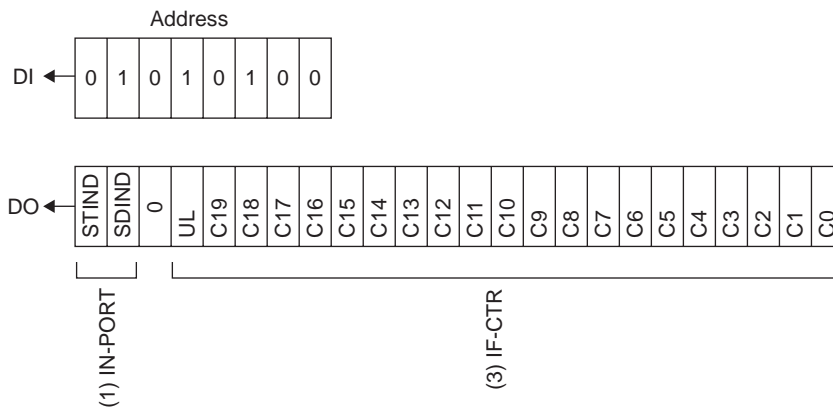
# LV23014T

Continued from preceding page.

No.	Control block data	Description	Related data
(14)	Forced monaural control data  STSW	<ul style="list-style-type: none"> <li>Data to determine the output of the output port STSW, controlling the forced monaural stereo function "Data" = 0 : MONO 1 : STEREO</li> </ul>	
(15) (16)	SD sensitivity adjustment data  SDC0 SDC1	<ul style="list-style-type: none"> <li>Data to determine the output of output ports SDC0 and SDC1, setting the SD sensitivity "Data" = SDC0 : 0, SDC1 : 0 → SD sensitivity = 37dB<math>\mu</math>V (Typ) SDC0 : 0, SDC1 : 1 → SD sensitivity = 40dB<math>\mu</math>V (Typ) SDC0 : 1, SDC1 : 0 → SD sensitivity = 46dB<math>\mu</math>V (Typ) SDC0 : 1, SDC1 : 1 → SD sensitivity = 51dB<math>\mu</math>V (Typ)</li> </ul>	

## Composition of the DO control data (serial data output)

### (1) OUT mode



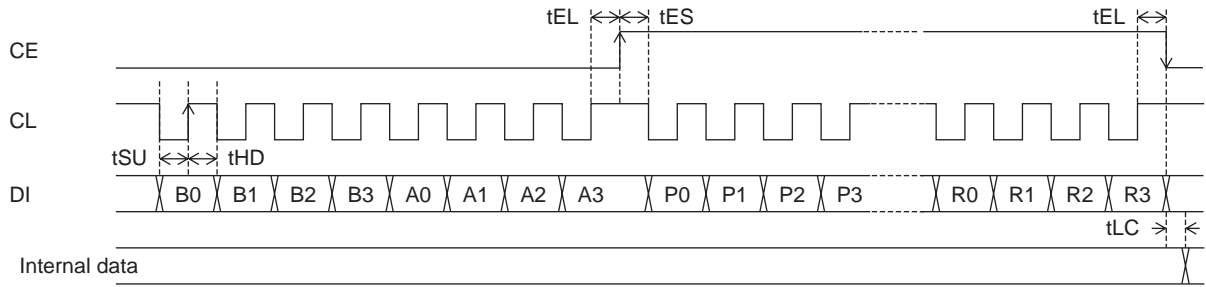
## Description of DO output data

No.	Control/data	Description	Related data
(1)	Stereo indicator SD indicator Control data  STIND, SDIND	<ul style="list-style-type: none"> <li>Data latching stereo indicator and SI indicator states. Latch made at a time of the data output mode (OUT mode). STIND ← Stereo indicator state      0 : ST ON, 1 : ST OFF SDIND ← SD indicator state          0 : SD ON, 1 : SD OFF</li> </ul>	
(2)	PLL unlock data  UL	<ul style="list-style-type: none"> <li>Data latching the content of the unlock detection circuit UL ← 0 : At unlock 1 : At lock or detection stop mode</li> </ul>	UL0 UL1
(3)	IF counter Binary counter  C19 to C0	<ul style="list-style-type: none"> <li>Data latching the content of IF counter (20 bit binary counter) C19 ← MSB of binary counter C0 ← LSB of binary counter</li> </ul>	CTE GT0 GT1

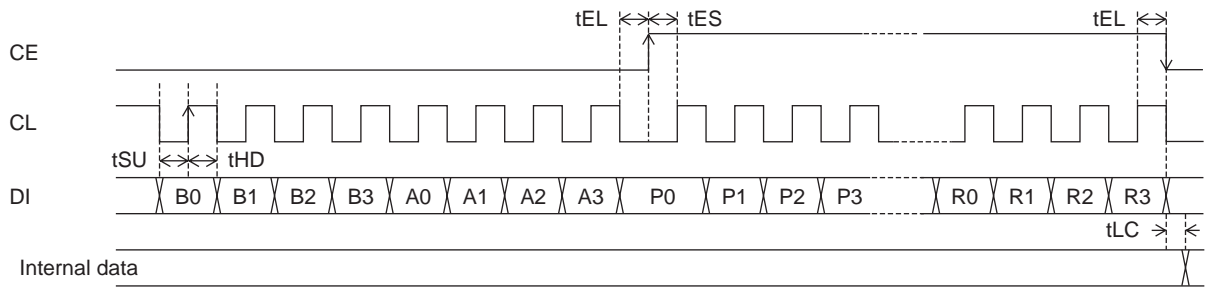
# LV23014T

**Serial data input (IN1/IN2)**  $t_{SU}, t_{HD}, t_{EL}, t_{ES}, t_{EH} \geq 0.75\mu s$   $t_{LC} < 0.75\mu s$

(1) CL : normal Hi

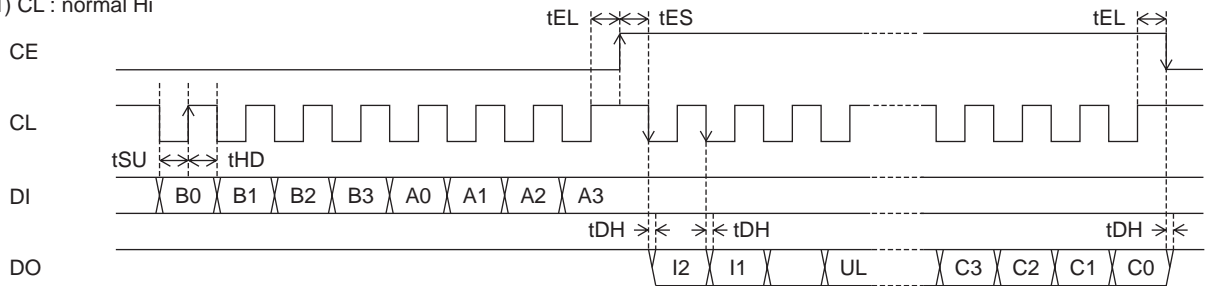


(2) CL : normal Low

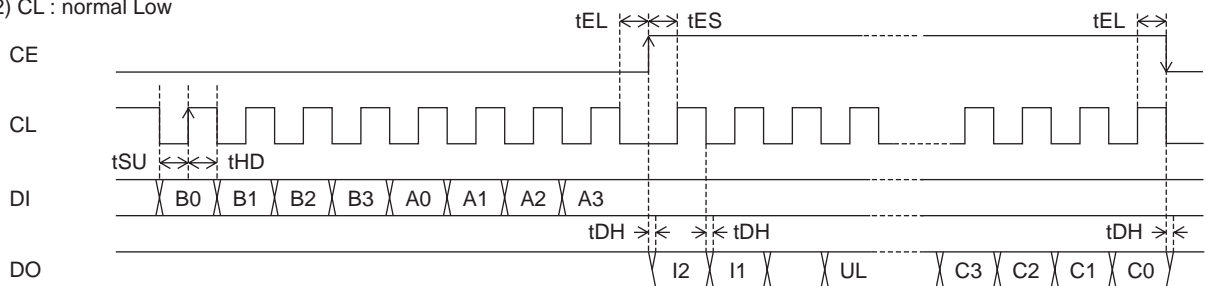


**Serial data output (OUT)**  $t_{SU}, t_{HD}, t_{EL}, t_{ES}, t_{EH} \geq 0.75\mu s$   $t_{DC}, t_{DH} < 0.35\mu s$

(1) CL : normal Hi



(2) CL : normal Low

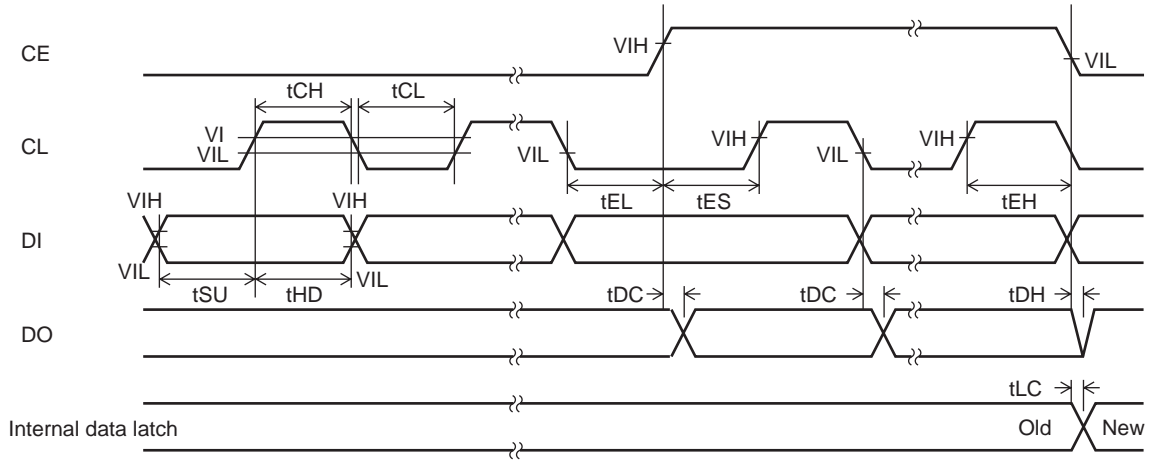


Note : The DO pin is an Nch open drain pin, so that the data change time ( $t_{DC}$ ,  $t_{DH}$ ) changes depending on the pull-up resistance and substrate capacity.

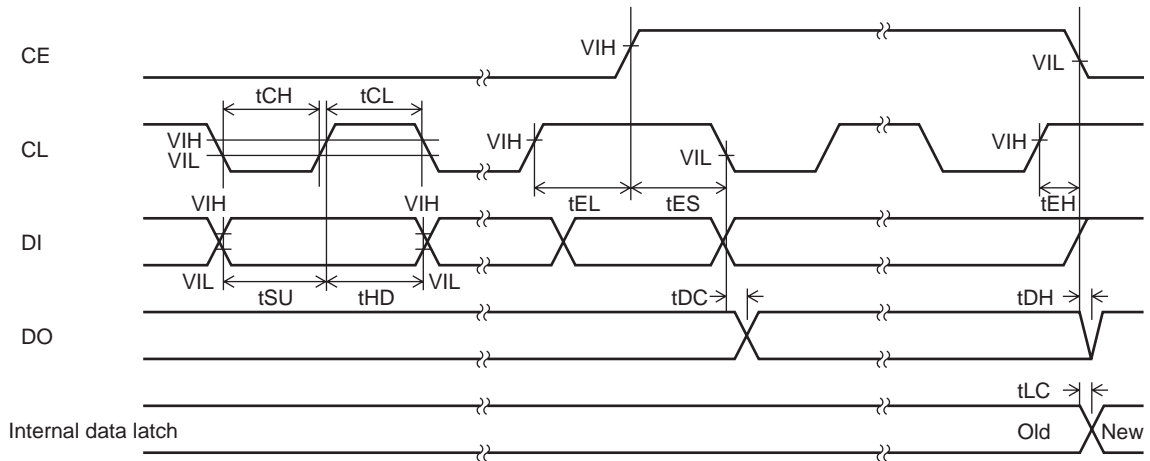


# LV23014T

## Serial data timing



<< CL stopped at "L" level >>

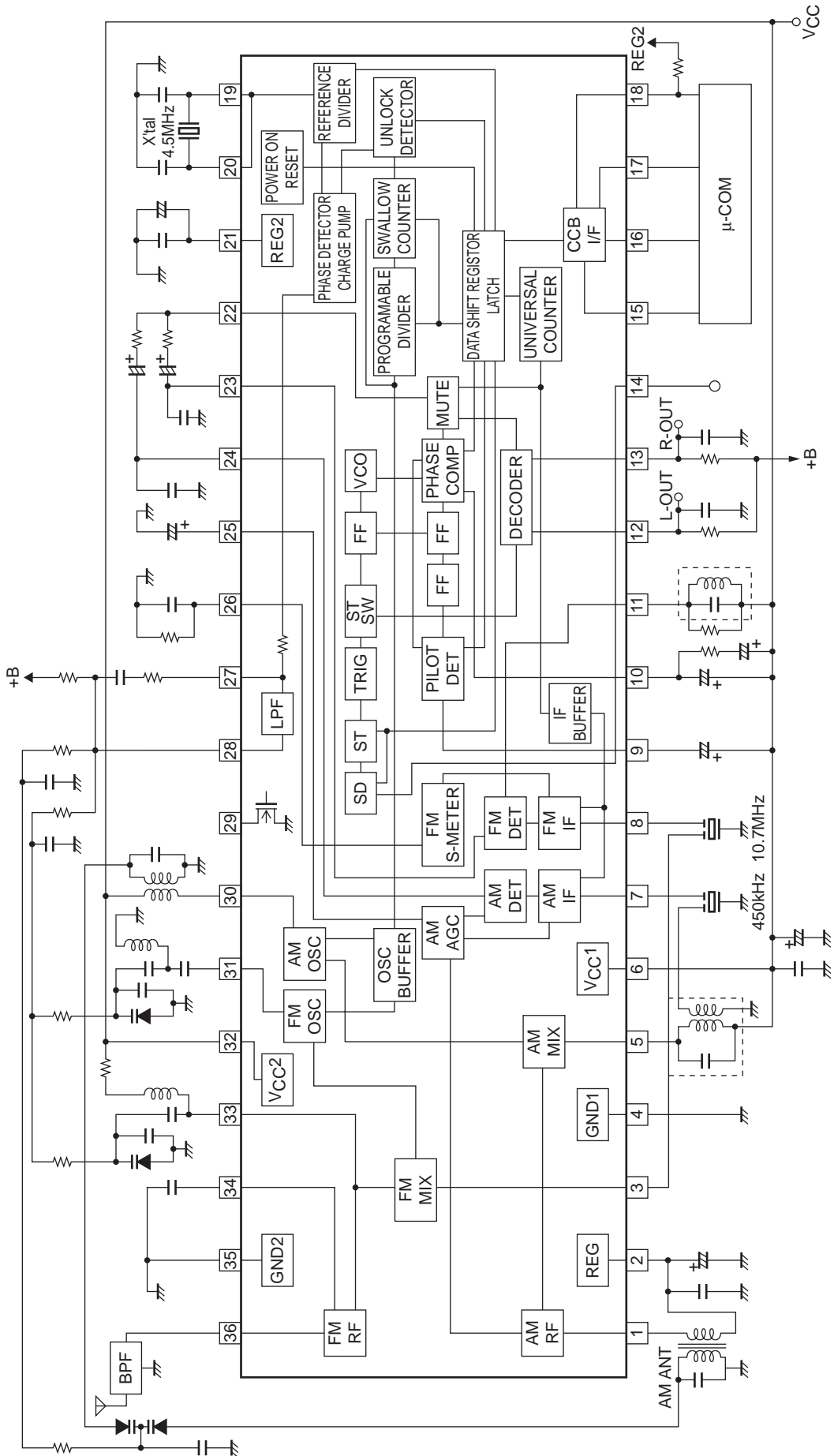


<< CL stopped at "H" level >>

Parameter	Symbol	Pin	Conditions	Min	Typ	Max	Unit
Data setup time	$t_{SU}$	DI, CL		0.75			$\mu s$
Data hold time	$t_{HD}$	DI, CL		0.75			$\mu s$
Clock L level time	$t_{CL}$	CL		0.75			$\mu s$
Clock H level time	$t_{CH}$	CL		0.75			$\mu s$
CE wait time	$t_{EL}$	CE, CL		0.75			$\mu s$
CE setup time	$t_{ES}$	CE, CL		0.75			$\mu s$
CE hold time	$t_{EH}$	CE, CL		0.75			$\mu s$
Data latch change time	$t_{LC}$					0.75	$\mu s$
Data output time	$t_{DC}$	DO, CL	Varies depending on the pull-up resistance and substrate capacity			0.35	$\mu s$
	$t_{DH}$	DO, CE					

# LV23014T

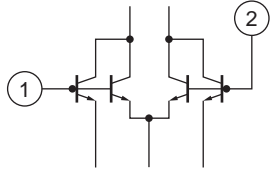
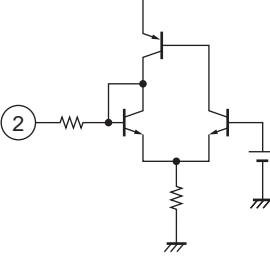
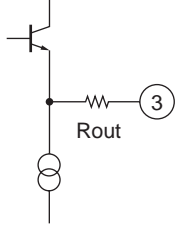
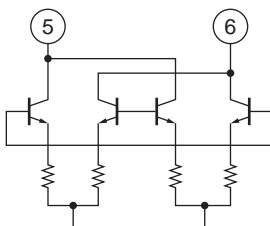
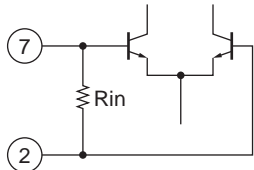
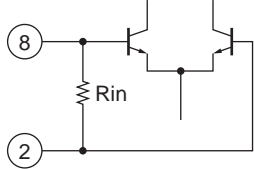
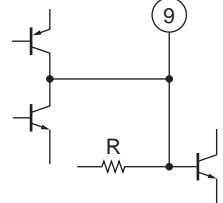
## Block Diagram





# LV23014T

## LV23014T Pin description and pin voltage ( $V_{CC} = 5.0V$ , $+B = 9.0V$ )

No.	Pin name	Pin description	No input voltage (V)		Internal equivalent circuit
			AM	FM	
1	AM RF input	Connect the AM ANT coil between this pin and pin 2 (Vreg1).	Vreg1	Vreg1	
2	REG1	Reference voltage of AM/FM, IF/MPX block	2.2	2.2	
3	FM MIX output	$R_{out} = 270\Omega$	$(2/3)V_{CC} - 0.5$	$(2/3)V_{CC} - 0.7$	
4	GND1	GND of AM/FM, IF/MPX block	0	0	
5	AM MIX output	Connect the AM MIX coil between this pin and pin 6 ( $V_{CC}$ voltage).	$V_{CC}$	$V_{CC}$	
6	$V_{CC1}$	$V_{CC}$ of AM/FM, IF/MPX block	5.0	5.0	
7	AM IF input	$R_{in} = 2k\Omega$	Vreg1	Vreg1	
8	FM IF input	$R_{in} = 330\Omega$	Vreg1	Vreg1	
9	Pilot filter	$R = 10k\Omega$	$V_{CC} - 1$	$V_{CC} - 1$	

Continued on next page.

# LV23014T

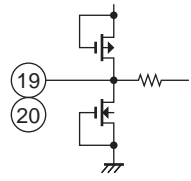
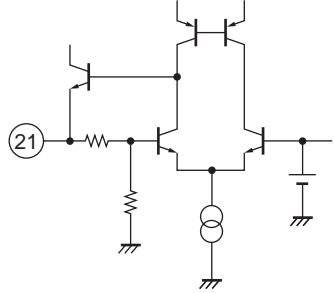
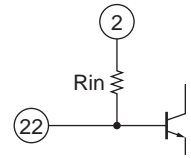
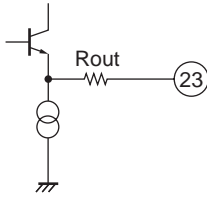
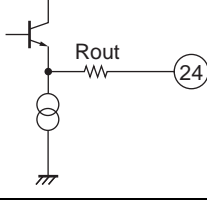
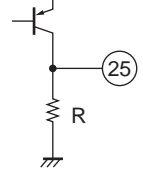
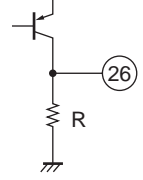
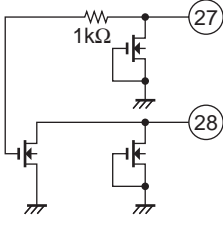
Continued from preceding page.

No.	Pin name	Pin description	No input voltage (V)		Internal equivalent circuit
			AM	FM	
10	Phase comparator filter	R = 10kΩ	V <sub>CC-1</sub>	V <sub>CC-1</sub>	
11	FM DET	Connect the FM DET coil between this pin and pin 6 (V <sub>CC</sub> voltage).  Recommended detection coil : 600BCAS-10790Z by TOKO.	V <sub>CC</sub>	V <sub>CC</sub>	
12 13	L output R output	Resistance 2.2kΩ for output level adjustments is connected between pin 12/13 and +B (+9V). R = 600Ω	6.0 6.0	6.0 6.0	
14	SD IND	SD indicator Active low output. R = 30kΩ	Vreg2	Vreg2	
15	CE	Chip enable port At changeover from "L" to "H" address latching. At changeover from "H" to "L" data latching.			
16	DI	Serial data input port Sets data in synchronization with rise of data clock.			
17	CL	Data clock input port			
18	DO	Data output port Outputs various data in synchronization with fall of data clock in the out mode.			

Continued on next page.

# LV23014T

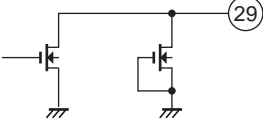
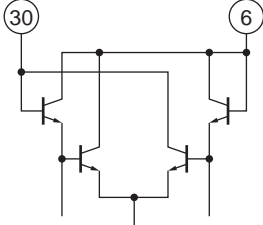
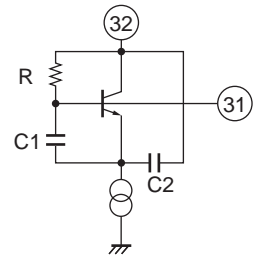
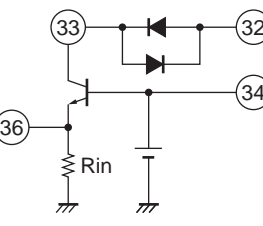
Continued from preceding page.

No.	Pin name	Pin description	No input voltage (V)		Internal equivalent circuit
			AM	FM	
19 20	XIN XOUT	Clock for internal reference Connect 4.5MHz crystal oscillator.			
21	VREG2	Reference voltage of PLL block	3.0	3.0	
22	MPX input	Rin = 20kΩ	Vreg1	Vreg1	
23	FM detection output	The separation can be adjusted with an external capacitor connected between this pin and GND.  Rout = 3.3kΩ	0.8	Vreg1	
24	AM detection output	AM low frequency characteristic can be adjusted with an external capacitor connected between this pin and GND.  Rout = 5.0kΩ	2.0	0	
25	AM AGC output	R = 13.8kΩ	0.8	0	
26	FM S-meter output and FM SD adjust	The FMSD sensitivity can be adjusted with an external resistor connected between this pin and GND.  R = 14.0kΩ	0	0.8	
27 28	AIN AOUT	Nch MOS transistor for PLL active low pass filter.			

Continued on next page.

# LV23014T

Continued from preceding page.

No.	Pin name	Pin description	No input voltage (V)		Internal equivalent circuit
			AM	FM	
29	BO1	General purpose output port			
30	AM OSC	AM OSC circuit with ALC AM OSC coil used between pins 31 and 6 (V <sub>CC</sub> voltage).	V <sub>CC</sub>	V <sub>CC</sub>	
31	FM OSC	R = 10kΩ C1 = 10pF C2 = 20pF	V <sub>CC</sub>	4.95	
32	V <sub>CC2</sub>	V <sub>CC</sub> of FM FE block	5.0	5.0	
33	FM RF output	FM RF coil used between pins 33 and 32 (V <sub>CC</sub> voltage).	V <sub>CC</sub>	V <sub>CC</sub>	
34	FM bypass	The capacity of 1000pF is connected between pins 34 and 35 (GND).	0	1.6	
35	FM RF input	R <sub>in</sub> = 1.5kΩ	0	0.9	
35	GND2	GND of FM FE block	0	0	





- SANYO Semiconductor Co.,Ltd. assumes no responsibility for equipment failures that result from using products at values that exceed, even momentarily, rated values (such as maximum ratings, operating condition ranges, or other parameters) listed in products specifications of any and all SANYO Semiconductor Co.,Ltd. products described or contained herein.
- SANYO Semiconductor Co.,Ltd. strives to supply high-quality high-reliability products, however, any and all semiconductor products fail or malfunction with some probability. It is possible that these probabilistic failures or malfunction could give rise to accidents or events that could endanger human lives, trouble that could give rise to smoke or fire, or accidents that could cause damage to other property. When designing equipment, adopt safety measures so that these kinds of accidents or events cannot occur. Such measures include but are not limited to protective circuits and error prevention circuits for safe design, redundant design, and structural design.
- In the event that any or all SANYO Semiconductor Co.,Ltd. products described or contained herein are controlled under any of applicable local export control laws and regulations, such products may require the export license from the authorities concerned in accordance with the above law.
- No part of this publication may be reproduced or transmitted in any form or by any means, electronic or mechanical, including photocopying and recording, or any information storage or retrieval system, or otherwise, without the prior written consent of SANYO Semiconductor Co.,Ltd.
- Any and all information described or contained herein are subject to change without notice due to product/technology improvement, etc. When designing equipment, refer to the "Delivery Specification" for the SANYO Semiconductor Co.,Ltd. product that you intend to use.
- Information (including circuit diagrams and circuit parameters) herein is for example only; it is not guaranteed for volume production.
- Upon using the technical information or products described herein, neither warranty nor license shall be granted with regard to intellectual property rights or any other rights of SANYO Semiconductor Co.,Ltd. or any third party. SANYO Semiconductor Co.,Ltd. shall not be liable for any claim or suits with regard to a third party's intellectual property rights which has resulted from the use of the technical information and products mentioned above.

This catalog provides information as of June, 2008. Specifications and information herein are subject to change without notice.