



SANYO Semiconductors

DATA SHEET

An ON Semiconductor Company

Bi-CMOS IC

LV5066V — Low power consumption and high efficiency Step-down Switching Regulator Controller

Overview

LV5066V is 1ch step-down switching regulator. The operation current is about 80 μ A, and low power consumption is achieved.

Functions

- 1ch diode rectification controller IC
- Maximum value of light load mode current is 80 μ A.
- Built-in OCP circuit with P-by-P method
- When P-by-P is generated continuously, it shifts to the HICCUP operation.
- If connect C-HICCUP to GND pin, then latch-off when over current.
- The oscillatory frequency can be set by the external pin. The oscillatory frequency is 300 kHz to 2.2MHz
- Built-in UVLO, TSD
- Synchronous driving with external signal

Specifications

Maximum Ratings at Ta = 25°C

Parameter	Symbol	Conditions	Ratings	Unit
Input voltage	V _{IN} max		22	V
Allowable power dissipation	Pd max	Specified substrate *1	0.74	W
Operating temperature	T _{opr}		-40 to +85	°C
Storage temperature	T _{stg}		-55 to +150	°C

*1: Specified substrate 114.3mm×76.1mm×1.6mm³ glass-epoxy

Caution 1) Absolute maximum ratings represent the value which cannot be exceeded for any length of time.

Caution 2) Even when the device is used within the range of absolute maximum ratings, as a result of continuous usage under high temperature, high current, high voltage, or drastic temperature change, the reliability of the IC may be degraded. Please contact us for the further details.

Recommended Operating Conditions at Ta = 25°C

Parameter	Symbol	Conditions	Ratings	Unit
Input voltage range	V _{IN}		4.5 to 18	V

■ Any and all SANYO Semiconductor Co.,Ltd. products described or contained herein are, with regard to "standard application", intended for the use as general electronics equipment. The products mentioned herein shall not be intended for use for any "special application" (medical equipment whose purpose is to sustain life, aerospace instrument, nuclear control device, burning appliances, transportation machine, traffic signal system, safety equipment etc.) that shall require extremely high level of reliability and can directly threaten human lives in case of failure or malfunction of the product or may cause harm to human bodies, nor shall they grant any guarantee thereof. If you should intend to use our products for new introduction or other application different from current conditions on the usage of automotive device, communication device, office equipment, industrial equipment etc. , please consult with us about usage condition (temperature, operation time etc.) prior to the intended use. If there is no consultation or inquiry before the intended use, our customer shall be solely responsible for the use.

■ Specifications of any and all SANYO Semiconductor Co.,Ltd. products described or contained herein stipulate the performance, characteristics, and functions of the described products in the independent state, and are not guarantees of the performance, characteristics, and functions of the described products as mounted in the customer's products or equipment. To verify symptoms and states that cannot be evaluated in an independent device, the customer should always evaluate and test devices mounted in the customer's products or equipment.

LV5066V

Electrical Characteristics at Ta = 25°C, VIN = 15V

Parameter	Symbol	Conditions	Ratings			Unit
			min	typ	max	
Reference voltage						
Internal reference voltage	Vref		1.247	1.260	1.273	V
Pch drive voltage	VPDR	IOUT=0 to -5mA	VIN-5.5	VIN-5.0	VIN-4.5	V
Saw wave oscillator						
Oscillatory frequency	FOSC	RT=470kΩ	280	330	380	kHz
ON/OFF circuit						
IC start-up voltage	VCNT_ON		1.5		VIN	V
Disable voltage	VCNT_OFF				0.3	V
Soft start circuit						
Soft start source current	ISS_SC	EN>1.5V	1.3	2.0	2.7	μA
Soft start sink current	ISS_SK	EN<0.3V, SS=4V	1.0	1.6	2.2	mA
UVLO circuit						
UVLO release voltage	VUVLON	FB=COMP	3.0	3.4	3.8	V
UVLO lock voltage	VUVLOF	FB=COMP	2.5	2.9	3.3	V
Error amplifier						
Input bias current	IEA_IN		-100	-50	100	nA
Error amplifier gain	GEA		100	250	400	μA/V
Output sink current	IEA_OSK	FB=1.75V	-40	-20	-10	μA
Output source current	IES_OSC	FB=0.75V	10	20	40	μA
Over current limit circuit						
Reference current	ILIM1		49.3	55	60.7	μA
Over current detection comparator offset voltage	VLIM_OFS		-7		+7	mV
RSNS pin input range	VRSNS		VIN-0.15		VIN	V
HICCUP timer start-up cycle	NLCYCLES			15		cycle
HICCUP comparator threshold voltage	VtHIC		1.2	1.26	1.32	V
HICCUP timer change current	IHIC		1	2	3	μA
PWM comparator						
Maximum On-duty	D max		95			%
Logic output						
Power good "L" sink current	IPWRGD_L	PG=5V	4	5	6	mA
Power good "H" leakage current	IPWRGD_H	PG=5V			1	μA
Power good threshold voltage	VtPG		1.0	1.1	1.2	V
Power good hysteresis	VPG_H		40	50	60	mV
Output						
Output on-resistance (High)	RONH			3		Ω
Output on-resistance (Low)	RONL			2		Ω
Output on-current (High)	IONH		500			mA
Output on-current (Low)	IONL		500			mA
The entire device						
Stand-by current	ICCS	EN<0.3V			1	μA
Light load mode consumption current	ISLEEP1	EN>1.5V, No switching	30	55	80	μA
Thermal shutdown	TSD	*2		170		°C

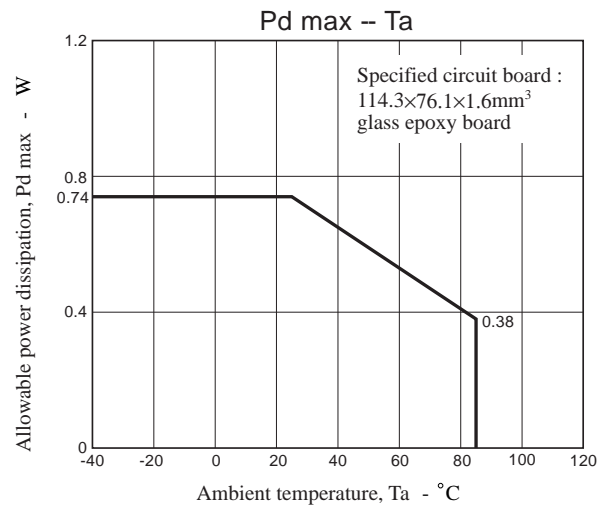
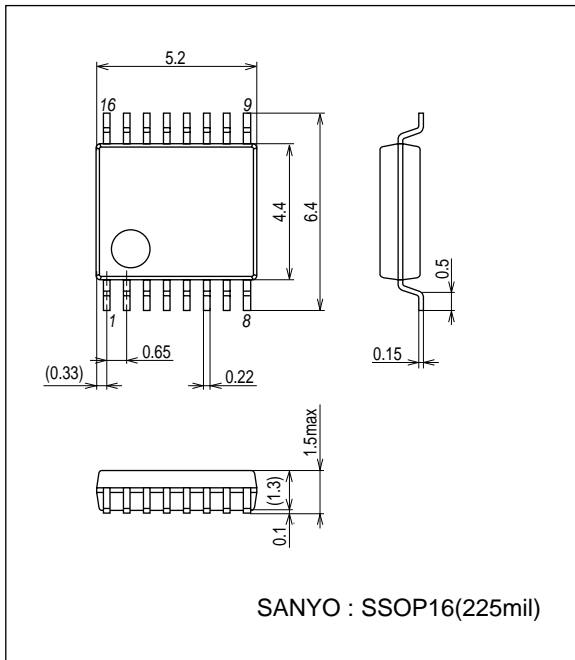
*2: Design certification

LV5066V

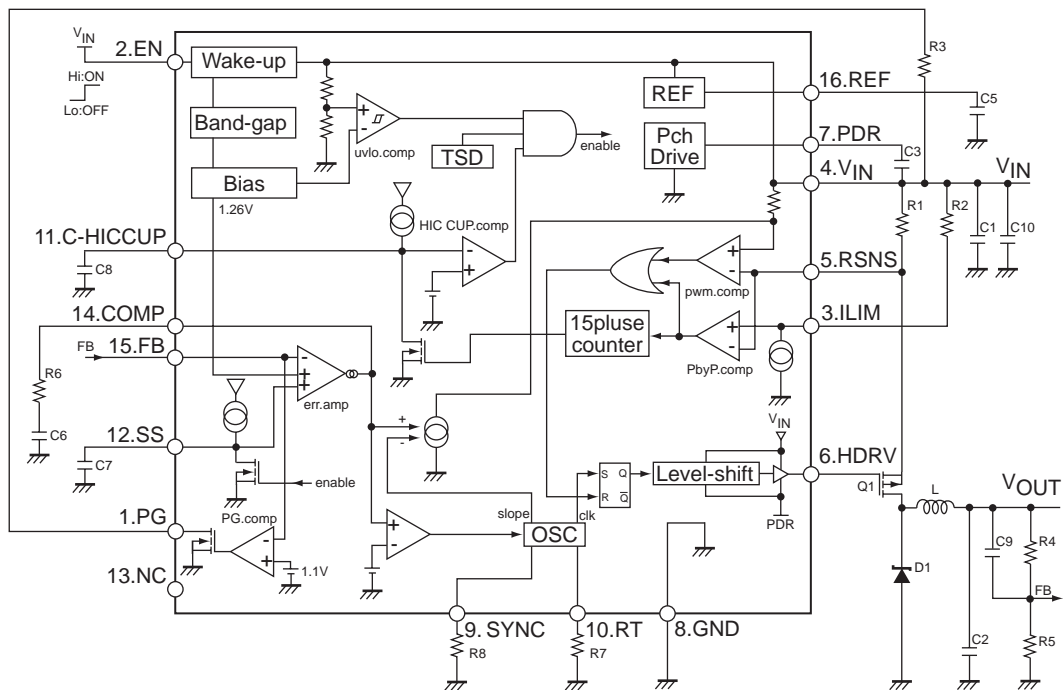
Package Dimensions

unit : mm (typ)

3178B

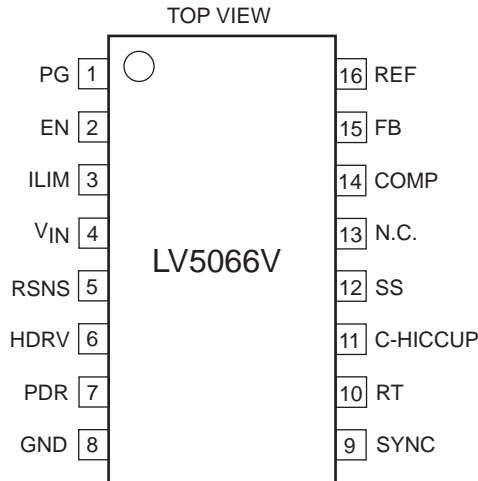


Block Diagram



LV5066V

Pin Assignment

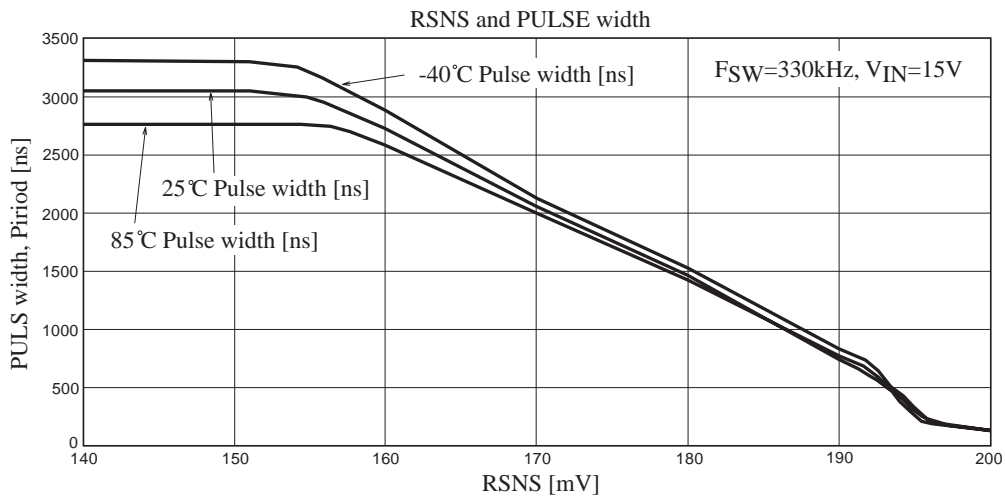


Pin Descriptions

Pin No.	Pin name	Descriptions
1	PG	Power good pin. Connect to open drain of MOS-FET in ICs inside. Setting output voltage to "L", when FB voltage is 1.05V or less
2	EN	ON/OFF pin
3	ILIM	For current detection. Sink current is about 55μA. The current limiter comparator works when an external resistor is connected between this pin and V _{IN} , and if the voltage of this resistor is less than the voltage of RSNS then Pch MOS is turned off. This operation is reset each PWM pulse.
4	V _{IN}	Supply voltage pin It is observed by the UVLO function. When its voltage becomes 3.4V or more, ICs startup in soft start.
5	RSNS	Current detection resistor connection pin. Resistor is connected between V _{IN} and this pin, and the current flows to MOSFET are measured.
6	HDRV	The external high-side MOSFET gate drive pin
7	PDR	Gate drive voltage of the external Pch MOSFET. Meanwhile, the bypass capacitor is connected between V _{IN} and this pin.
8	GND	Ground Pin Ground pin voltage is reference voltage.
9	SYNC	Pin of using combined of external synchronous signal input pin
10	RT	Oscillation frequency setting pin. Resistor is connected between this pin and GND.
11	C-HICCUP	It is capacitor connection pin for setting re-startup cycle in HICCUP mode If connect it to GND pin, then latch-off when over current.
12	SS	Capacitor connection pin for soft start. About 2μA current charges the soft start capacitor.
13	NC	NC pin.
14	COMP	Error Amplifier Output Pin The phase compensation network is connected between GND pin and COMP pin Thanks to current-mode control, COMP pin voltage would tell you the output current amplitude. COMP pin is connected internally to an int.comparator which comparators with 0.9V reference. If COMP pin voltage is larger than 0.9V, IC operates in "continuous mode". If COMP pin voltage is smaller than 0.9V, IC operates in "discontinuous mode (low consumption mode)".
15	FB	Error amplifier reverse input pin ICs make its voltage keep 1.26V. Output voltage is divided by external resistors and it across FB.
16	REF	Reference voltage.

Reference data

Relations (change of the pulse width when COMP changed RSNS at the upper limit to work) of RSNS and the pulse width



- SANYO Semiconductor Co.,Ltd. assumes no responsibility for equipment failures that result from using products at values that exceed, even momentarily, rated values (such as maximum ratings, operating condition ranges, or other parameters) listed in products specifications of any and all SANYO Semiconductor Co.,Ltd. products described or contained herein.
- SANYO Semiconductor Co.,Ltd. strives to supply high-quality high-reliability products, however, any and all semiconductor products fail or malfunction with some probability. It is possible that these probabilistic failures or malfunction could give rise to accidents or events that could endanger human lives, trouble that could give rise to smoke or fire, or accidents that could cause damage to other property. When designing equipment, adopt safety measures so that these kinds of accidents or events cannot occur. Such measures include but are not limited to protective circuits and error prevention circuits for safe design, redundant design, and structural design.
- In the event that any or all SANYO Semiconductor Co.,Ltd. products described or contained herein are controlled under any of applicable local export control laws and regulations, such products may require the export license from the authorities concerned in accordance with the above law.
- No part of this publication may be reproduced or transmitted in any form or by any means, electronic or mechanical, including photocopying and recording, or any information storage or retrieval system, or otherwise, without the prior written consent of SANYO Semiconductor Co.,Ltd.
- Any and all information described or contained herein are subject to change without notice due to product/technology improvement, etc. When designing equipment, refer to the "Delivery Specification" for the SANYO Semiconductor Co.,Ltd. product that you intend to use.
- Information (including circuit diagrams and circuit parameters) herein is for example only; it is not guaranteed for volume production.
- Upon using the technical information or products described herein, neither warranty nor license shall be granted with regard to intellectual property rights or any other rights of SANYO Semiconductor Co.,Ltd. or any third party. SANYO Semiconductor Co.,Ltd. shall not be liable for any claim or suits with regard to a third party's intellectual property rights which has resulted from the use of the technical information and products mentioned above.

This catalog provides information as of February, 2012. Specifications and information herein are subject to change without notice.