



# ADM1025/ADM1025A—SPECIFICATIONS (T<sub>A</sub> = T<sub>MIN</sub> to T<sub>MAX</sub>, V<sub>CC</sub> = V<sub>MIN</sub> to V<sub>MAX</sub>, unless otherwise noted.)

Parameter	Min	Typ	Max	Unit	Test Conditions/Comments
<b>POWER SUPPLY</b>					
Supply Voltage, V <sub>CC</sub>	3.0	3.30	5.5	V	(Note 1)
Supply Current, I <sub>CC</sub>		1.4	2.5	mA	Interface Inactive, ADC Active
		32	500	μA	Standby Mode (Note 2)
<b>TEMPERATURE-TO-DIGITAL CONVERTER</b>					
Internal Sensor Accuracy			±3	°C	60°C ≤ T <sub>A</sub> ≤ 100°C; V <sub>CC</sub> = 3.3 V
Resolution		1		°C	
External Diode Sensor Accuracy			±5	°C	
			±3	°C	
Resolution		1		°C	
Remote Sensor Source Current		180		μA	
		11		μA	Low Level
<b>ANALOG-TO-DIGITAL CONVERTER (INCLUDING MUX AND ATTENUATORS)</b>					
Total Unadjusted Error, TUE			±2	%	(Note 3)
Differential Nonlinearity, DNL			±1	LSB	
Power Supply Sensitivity		±1		%/V	
Conversion Time (Analog Input or Internal Temperature)		11.6		ms	(Note 4)
Conversion Time (External Temperature)		34.8		ms	(Note 4)
Input Resistance (2.5 V, 3.3 V, 5 V, 12 V, V <sub>CCPIN</sub> )	100	140	250	kΩ	
<b>OPEN-DRAIN DIGITAL OUTPUT ADD/RST/INT/NT0</b>					
Output Low Voltage, V <sub>OL</sub>			0.4	V	I <sub>OUT</sub> = -6.0 mA; V <sub>CC</sub> = 3 V V <sub>OUT</sub> = V <sub>CC</sub> ; V <sub>CC</sub> = 3 V
High Level Output Leakage Current, I <sub>OH</sub>		0.1	1	μA	
RST Pulswidth		20	45	ms	
<b>OPEN-DRAIN SERIAL DATA BUS OUTPUT (SDA)</b>					
Output Low Voltage, V <sub>OL</sub>			0.4	V	I <sub>OUT</sub> = -6.0 mA; V <sub>CC</sub> = 3 V V <sub>OUT</sub> = V <sub>CC</sub>
High Level Output Leakage Current, I <sub>OH</sub>		0.1	1	μA	
<b>SERIAL BUS DIGITAL INPUTS (SCL, SDA)</b>					
Input High Voltage, V <sub>IH</sub>	2.1			V	
Input Low Voltage, V <sub>IL</sub>			0.8	V	
Hysteresis		500		mV	
<b>DIGITAL INPUT LOGIC LEVELS (ADD, VID0–VID4, NTI)<sup>5</sup></b>					
VID0–3 Input Resistance		100		kΩ	ADM1025 Only
VID4 Input Resistance		300		kΩ	ADM1025 Only
		100		kΩ	ADM1025A
Input High Voltage, V <sub>IH</sub> <sup>6</sup>	2.1			V	
Input Low Voltage, V <sub>IL</sub> <sup>6</sup>			0.8	V	
<b>DIGITAL INPUT LEAKAGE CURRENT</b>					
Input High Current, I <sub>IH</sub>	-1			μA	V <sub>IN</sub> = V <sub>CC</sub> V <sub>IN</sub> = 0
Input Low Current, I <sub>IL</sub>			1	μA	
Input Capacitance, C <sub>IN</sub>		5		pF	
<b>SERIAL BUS TIMING</b>					
Clock Frequency, f <sub>SCLK</sub>			400	kHz	See Figure 1
Glitch Immunity, t <sub>SW</sub>		50		ns	See Figure 1
Bus Free Time, t <sub>BUF</sub>	1.3			μs	See Figure 1
Start Setup Time, t <sub>SU:STA</sub>	600			ns	See Figure 1
Start Hold Time, t <sub>HD:STA</sub>	600			ns	See Figure 1
Stop Condition Setup Time t <sub>SU:STO</sub>	600			ns	See Figure 1
SCL Low Time, t <sub>LOW</sub>	1.3			μs	See Figure 1
SCL High Time, t <sub>HIGH</sub>	0.6			μs	See Figure 1
SCL, SDA Rise Time, t <sub>R</sub>			300	ns	See Figure 1
SCL, SDA Fall Time, t <sub>F</sub>			300	ns	See Figure 1
Data Setup Time, t <sub>SU:DAT</sub>	100			ns	See Figure 1
Data Hold Time, t <sub>HD:DAT</sub>	300			ns	See Figure 1

## NOTES

<sup>1</sup>All voltages are measured with respect to GND, unless otherwise specified.

<sup>2</sup>Typicals are at T<sub>A</sub> = 25°C and represent most likely parametric norm. Shutdown current typ is measured with V<sub>CC</sub> = 3.3 V.

<sup>3</sup>TUE (Total Unadjusted Error) includes Offset, Gain and Linearity errors of the ADC, multiplexer and on-chip input attenuators, including an external series input protection resistor value between zero and 1 kΩ.

<sup>4</sup>Total monitoring cycle time is nominally 114.4 ms. Monitoring Cycle consists of 6 Voltage + 1 Internal Temperature + 1 External Temperature readings.

<sup>5</sup>ADD is a three-state input that may be pulled high, low or left open-circuit.

<sup>6</sup>Timing specifications are tested at logic levels of V<sub>IL</sub> = 0.8 V for a falling edge and V<sub>IH</sub> = 2.2 V for a rising edge.

Specifications subject to change without notice.

### ABSOLUTE MAXIMUM RATINGS\*

Positive Supply Voltage ( $V_{CC}$ )	6.5 V
Voltage on 12 V $V_{IN}$ Pin	20 V
Voltage on Any Input or Output Pin	-0.3 V to +6.5 V
Input Current at Any Pin	$\pm 5$ mA
Package Input Current	$\pm 20$ mA
Maximum Junction Temperature ( $T_J$ max)	150°C
Storage Temperature Range	-65°C to +150°C
Lead Temperature, Soldering	
Vapor Phase 60 sec	215°C
Infrared 15 sec	200°C
ESD Rating All Pins	2000 V

\*Stresses above those listed under Absolute Maximum Ratings may cause permanent damage to the device. This is a stress rating only; functional operation of the device at these or any other conditions above those indicated in the operational section of this specification is not implied. Exposure to absolute maximum rating conditions for extended periods may affect device reliability.

### THERMAL CHARACTERISTICS

16-Lead QSOP Package:

$$\theta_{JA} = 105^{\circ}\text{C/W}$$

$$\theta_{JC} = 39^{\circ}\text{C/W}$$

### ORDERING GUIDE

Model	Temperature Range	Package Description	Package Option	Option
ADM1025ARQ	0°C to 100°C	16-Lead QSOP	RQ-16	Integrated 100 k $\Omega$ VID Pull-Ups
ADM1025AARQ	0°C to 100°C	16-Lead QSOP	RQ-16	Open-Drain VID Inputs

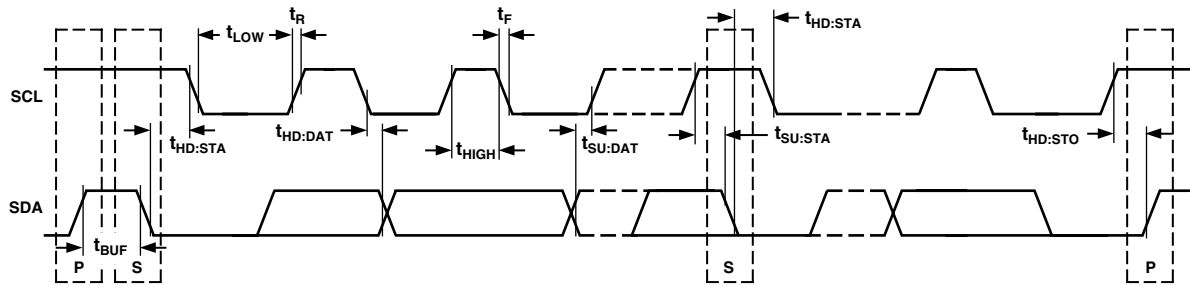


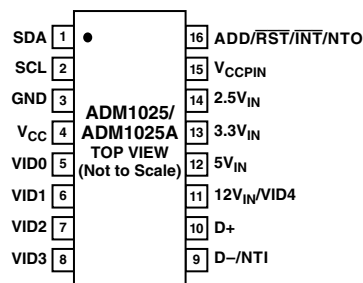
Figure 1. Diagram for Serial Bus Timing

# ADM1025/ADM1025A

## PIN FUNCTION DESCRIPTIONS

Pin No.	Mnemonic	Description
1	SDA	Digital I/O. Serial bus bidirectional data. Open-drain output.
2	SCL	Digital Input. Serial bus clock.
3	GND	System Ground.
4	V <sub>CC</sub>	Power. Can be powered by +3.3 V standby power if monitoring in low power states is required. This pin also serves as the analog input to monitor V <sub>CC</sub> .
5	VID0	Digital Input. Core voltage ID readouts from the processor. This value is read into the VID0–VID3 Status Register. It has an on-chip 100 kΩ pull-up resistor (ADM1025 only).
6	VID1	Digital Input. Core voltage ID readouts from the processor. This value is read into the VID0–VID3 Status Register. It has an on-chip 100 kΩ pull-up resistor (ADM1025 only).
7	VID2	Digital Input. Core voltage ID readouts from the processor. This value is read into the VID0–VID3 Status Register. It has an on-chip 100 kΩ pull-up resistor (ADM1025 only).
8	VID3	Digital Input. Core voltage ID readouts from the processor. This value is read into the VID0–VID3 Status Register. It has an on-chip 100 kΩ pull-up resistor (ADM1025 only).
9	D–/NTI	Analog/Digital Input. Connected to cathode of external temperature sensing diode. If held high at power-up, initiates NAND tree test mode.
10	D+	Analog Input. Connected to anode of external temperature sensing diode.
11	12 V <sub>IN</sub> /VID4	Programmable Analog/Digital Input. Defaults to 12 V <sub>IN</sub> analog input at power-up, but may be programmed as VID4 Core Voltage ID readout from the processor. This value is read into the VID4 Status Register. In analog 12 V <sub>IN</sub> mode it has an on-chip voltage attenuator. In VID4 mode it has an on-chip 300 kΩ pull-up resistor.
12	5 V <sub>IN</sub>	Analog Input. Monitors 5 V supply.
13	3.3 V <sub>IN</sub>	Analog Input. Monitors 3.3 V supply.
14	2.5 V <sub>IN</sub>	Analog Input. Monitors 2.5 V supply.
15	V <sub>CCPIN</sub>	Analog Input. Monitors processor core voltage (0 V to 3.0 V).
16	ADD/ $\overline{\text{RST}}$ / $\overline{\text{INT}}$ /NTO	Programmable Digital I/O. The lowest order programmable bit of the SMBus Address, sampled on SMB activity as a three-state input. Can also be configured to give a minimum 20 ms low reset output pulse. Alternatively, can be programmed as an interrupt output for temperature/voltage interrupts. Functions as the output of the NAND tree in NAND tree test mode.

## PIN CONFIGURATION



# Typical Performance Characteristics—ADM1025/ADM1025A

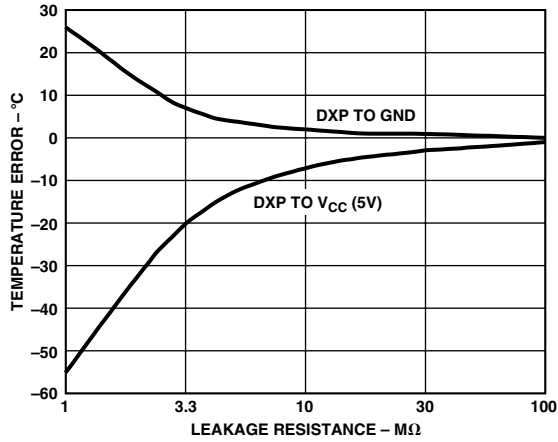


Figure 2. Temperature Error vs. PC Board Track Resistance

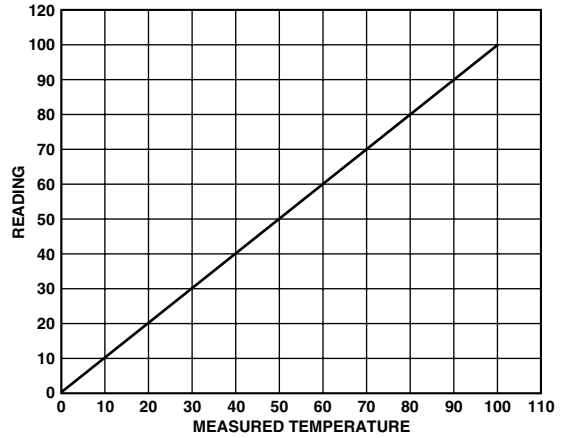


Figure 5. Pentium II® Temperature Measurement vs. ADM1025/ADM1025A Reading

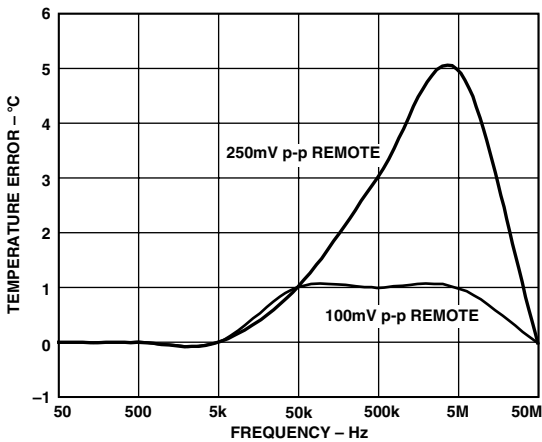


Figure 3. Temperature Error vs. Power Supply Noise Frequency

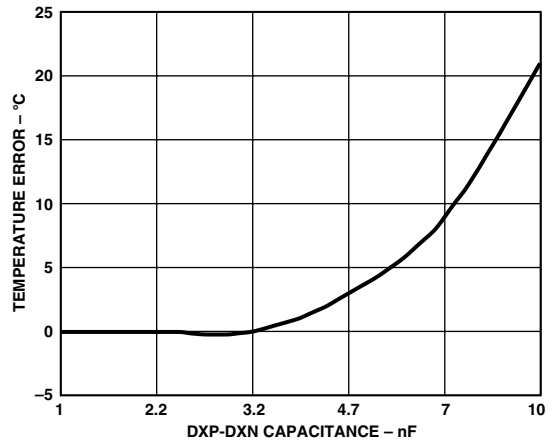


Figure 6. Temperature Error vs. Capacitance Between D+ and D-

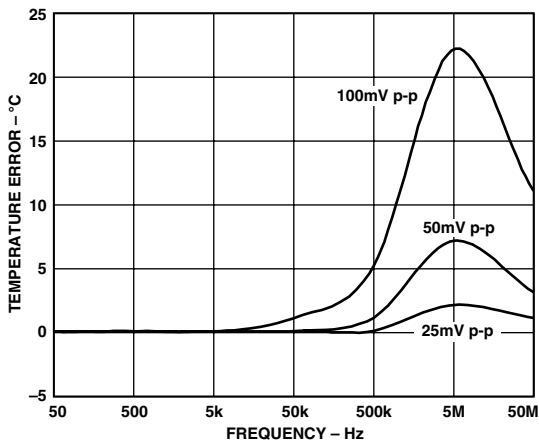


Figure 4. Temperature Error vs. Common-Mode Noise Frequency

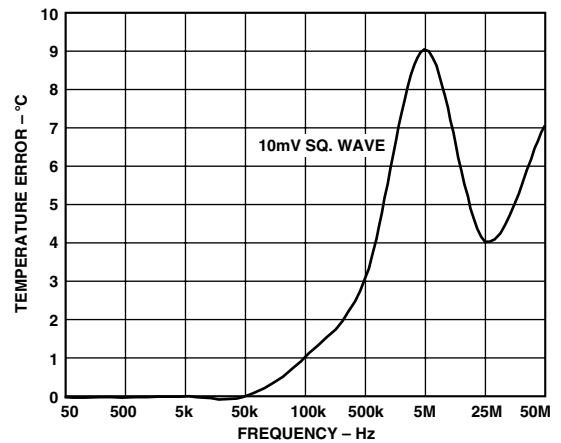


Figure 7. Temperature Error vs. Differential-Mode Noise Frequency

Pentium II is a registered trademark of Intel Corporation.

# ADM1025/ADM1025A

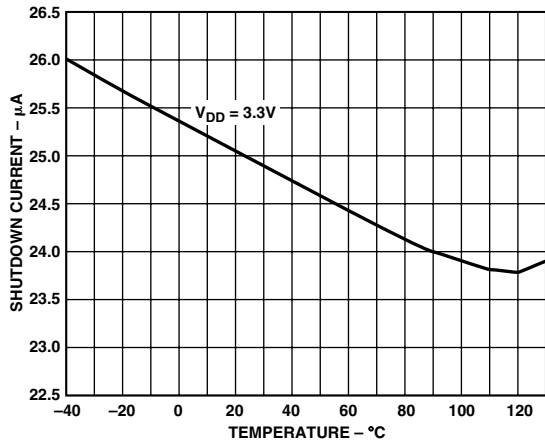


Figure 8. Standby Current vs. Temperature

## GENERAL DESCRIPTION

The ADM1025/ADM1025A is a complete system hardware monitor for microprocessor-based systems. The device communicates with the system via a serial System Management Bus. The serial bus controller has a hardwired address line for device selection (Pin 16), a serial data line for reading and writing addresses and data (Pin 1), and an input line for the serial clock (Pin 2). All control and programming functions of the ADM1025/ADM1025A are performed over the serial bus.

## MEASUREMENT INPUTS

The device has six measurement inputs, five for voltage and one for temperature. It can also measure its own supply voltage and can measure ambient temperature with its on-chip temperature sensor.

Pins 11 through 15 are analog inputs with on-chip attenuators, configured to monitor 12 V, 5 V, 3.3 V, 2.5 V and the processor core voltage, respectively. Pin 11 may alternatively be programmed as a digital input for Bit 4 of the processor voltage ID code.

Power is supplied to the chip via Pin 4 and the system also monitors the voltage on this pin.

Remote temperature sensing is provided by the D+ and D- inputs, to which a diode-connected, external temperature-sensing transistor may be connected.

An on-chip bandgap temperature sensor monitors system ambient temperature.

## SEQUENTIAL MEASUREMENT

When the ADM1025/ADM1025A monitoring sequence is started, it cycles sequentially through the measurement of analog inputs and the temperature sensors. Measured values from these inputs are stored in Value Registers. These can be read out over the serial bus, or can be compared with programmed limits stored in the Limit Registers. The results of out-of-limit comparisons are stored in the Status Registers, which can be read over the serial bus to flag out of limit conditions.

## PROCESSOR VOLTAGE ID

Five digital inputs (VID4 to VID0—Pins 5 to 8 and 11) read the processor voltage ID code and store it in the VID registers, from which it can be read out by the management system over the serial bus. If Pin 11 is configured as a 12 V analog input (power-up default), the VID4 bit in the VID4 register will default to 0.

The VID pins have internal 100 kΩ pull-up resistors (ADM1025 only).

## ADD/RST/INT/NTO

Pin 16 is a programmable digital I/O pin. After power-up, at the first sign of SMBus activity, it is sampled to set the lowest two bits of the serial bus address. During board-level, NAND tree connectivity testing, this pin functions as the output of the NAND tree. During normal operation Pin 16 may be programmed as a reset output to provide a low going 20 ms reset pulse when enabled, or it may be programmed as an interrupt output for out-of-limit temperature and/or voltage events. These functions are described in more detail later.

## INTERNAL REGISTERS OF THE ADM1025/ADM1025A

A brief description of the ADM1025/ADM1025A's principal internal registers is given below. More detailed information on the function of each register is given in Tables V to XV.

**Configuration Register:** Provides control and configuration.

**Address Pointer Register:** This register contains the address that selects one of the other internal registers. When writing to the ADM1025/ADM1025A, the first byte of data is always a register address, which is written to the Address Pointer Register.

**Status Registers:** Two registers to provide status of each limit comparison.

**VID Registers:** The status of the VID0 to VID4 pins of the processor can read from these registers.

**Value and Limit Registers:** The results of analog voltage inputs and temperature measurements are stored in these registers, along with their limit values.

**Offset Register:** Allows either an internal or external temperature channel reading to be offset by a two's complement value written to this register.

## SERIAL BUS INTERFACE

Control of the ADM1025/ADM1025A is carried out via the serial bus. The ADM1025/ADM1025A is connected to this bus as a slave device, under the control of a master device or master controller.

The ADM1025/ADM1025A has a 7-bit serial bus address. When the device is powered up, it will do so with a default serial bus address. The five MSBs of the address are set to 01011, the two LSBs are determined by the logical states of Pin 16 at power-up. This is a three-state input that can be grounded, connected to V<sub>CC</sub> or left open-circuit to give three different addresses:

Table I. Address Selection

ADD Pin	A1	A0
GND	0	0
No Connect	1	0
V <sub>CC</sub>	0	1

If ADD is left open-circuit the default address will be 0101110. ADD is sampled only after power-up, so any changes made will have no effect, unless power is cycled.

The facility to make hardwired changes to A1 and A0 allows the user to avoid conflicts with other devices sharing the same serial bus if, for example, more than one ADM1025/ADM1025A is used in a system. However, as previously mentioned, the ADD pin may also function as a reset output or interrupt output. Use of these functions may restrict the addresses that can be set. See the sections on  $\overline{RST}$  and  $\overline{INT}$  for further information.

The serial bus protocol operates as follows:

1. The master initiates data transfer by establishing a START condition, defined as a high-to-low transition on the serial data line SDA while the serial clock line SCL remains high. This indicates that an address/data stream will follow. All slave peripherals connected to the serial bus respond to the START condition, and shift in the next eight bits, consisting of a 7-bit address (MSB first) plus an  $R/\overline{W}$  bit, which determines the direction of the data transfer, i.e., whether data will be written to or read from the slave device.

The peripheral whose address corresponds to the transmitted address responds by pulling the data line low during the low period before the ninth clock pulse, known as the Acknowledge Bit. All other devices on the bus now remain idle while the selected device waits for data to be read from or written to it. If the  $R/\overline{W}$  bit is a 0, the master will write to the slave device. If the  $R/\overline{W}$  bit is a 1, the master will read from the slave device.

2. Data is sent over the serial bus in sequences of nine clock pulses, eight bits of data followed by an Acknowledge Bit from the slave device. Transitions on the data line must occur during the low period of the clock signal and remain stable during the high period, as a low-to-high transition when the clock is high may be interpreted as a STOP signal. The number of data bytes that can be transmitted over the serial bus in a single READ or WRITE operation is limited only by what the master and slave devices can handle.

3. When all data bytes have been read or written, stop conditions are established. In WRITE mode, the master will pull the data line high during the 10th clock pulse to assert a STOP condition. In READ mode, the master device will override the acknowledge bit by pulling the data line high during the low period before the 9th clock pulse. This is known as No Acknowledge. The master will then take the data line low during the low period before the 10th clock pulse, then high during the 10th clock pulse to assert a STOP condition.

Any number of bytes of data may be transferred over the serial bus in one operation, but it is not possible to mix read and write in one operation, because the type of operation is determined at the beginning and cannot subsequently be changed without starting a new operation.

In the case of the ADM1025/ADM1025A, write operations contain either one or two bytes, and read operations contain one byte, and perform the following functions:

To write data to one of the device data registers or read data from it, the Address Pointer Register must be set so that the correct data register is addressed, data can then be written into that register or read from it. The first byte of a write operation always contains an address that is stored in the Address Pointer Register. If data is to be written to the device, the write operation contains a second data byte that is written to the register selected by the address pointer register.

This is illustrated in Figure 9a. The device address is sent over the bus followed by  $R/\overline{W}$  set to 0. This is followed by two data bytes. The first data byte is the address of the internal data register to be written to, which is stored in the Address Pointer Register. The second data byte is the data to be written to the internal data register.

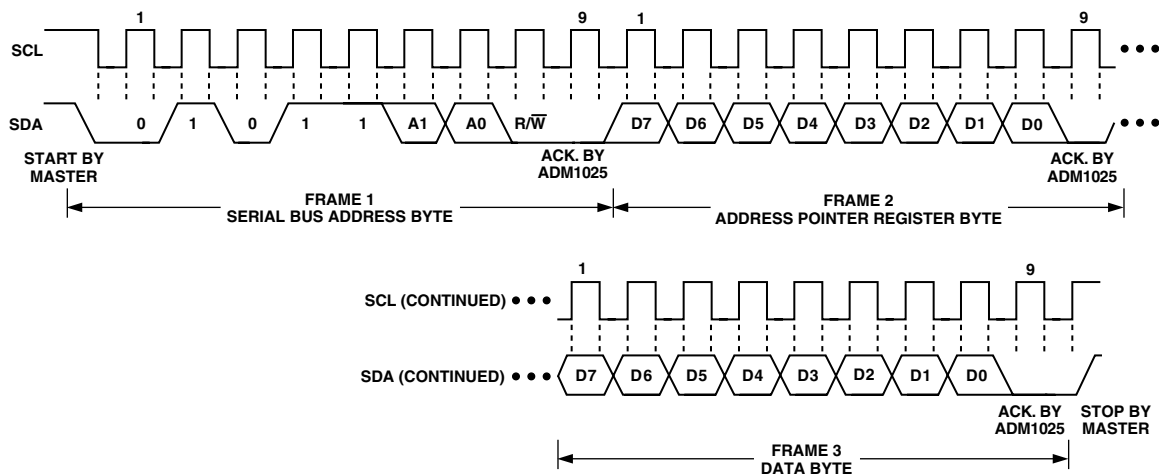


Figure 9a. Writing a Register Address to the Address Pointer Register, then Writing Data to the Selected Register

# ADM1025/ADM1025A

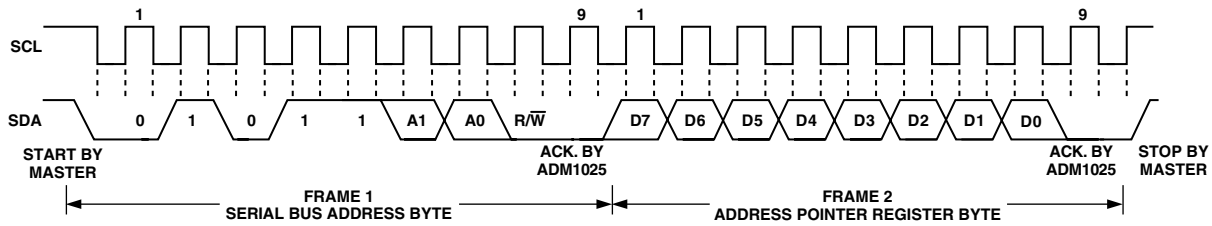


Figure 9b. Writing to the Address Pointer Register Only

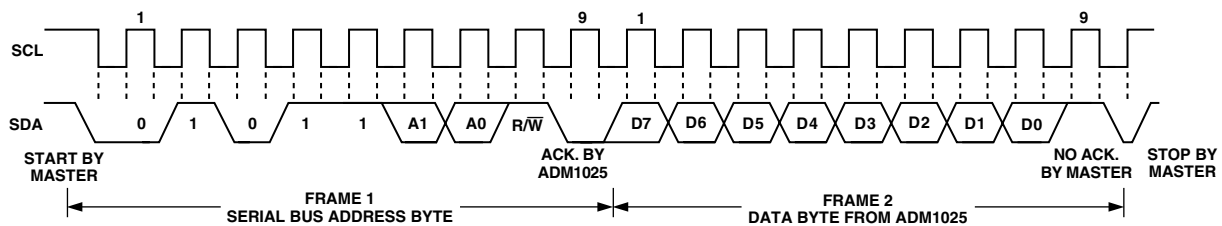


Figure 9c. Reading Data from a Previously Selected Register

When reading data from a register there are two possibilities:

1. If the ADM1025/ADM1025A's Address Pointer Register value is unknown or not the desired value, it is first necessary to set it to the correct value before data can be read from the desired data register. This is done by performing a write to the ADM1025/ADM1025A as before, but only the data byte containing the register address is sent, as data is not to be written to the register. This is shown in Figure 9b.

A read operation is then performed consisting of the serial bus address,  $R/\overline{W}$  bit set to 1, followed by the data byte read from the data register. This is shown in Figure 9c.

2. If the Address Pointer Register is known to be already at the desired address, data can be read from the corresponding data register without first writing to the Address Pointer Register, so Figure 9b can be omitted.

## NOTES

1. Although it is possible to read a data byte from a data register without first writing to the Address Pointer Register, if the Address Pointer Register is already at the correct value, it is not possible to write data to a register without writing to the Address Pointer Register, because the first data byte of a write is always written to the Address Pointer Register.
2. In Figures 9a to 9c, the serial bus address is shown as the default value 01011(A1)(A0), where A1 and A0 are set by the three-state ADD pin.
3. In addition to supporting the Send Byte and Receive Byte protocols, the ADM1025/ADM1025A also supports the Read Byte protocol (see System Management Bus specifications Rev. 1.1 for more information).
4. If Reset or Interrupt functionality is required, address pin *cannot* be strapped to GND, as this would keep the  $\overline{RST}/\overline{INT}/\overline{NTO}$  pin permanently low.

## MEASUREMENT INPUTS

The ADM1025/ADM1025A has six external measurement inputs, five for voltage and one (two pins) for temperature. Internal measurements are also carried out on  $V_{CC}$  and the on-chip temperature sensor.

## A-TO-D CONVERTER

These inputs are multiplexed into the on-chip, successive approximation, analog-to-digital converter. This has a resolution of eight bits. The basic input range is zero to 2.5 V, but the inputs have built-in attenuators to allow measurement of 2.5 V, 3.3 V, 5 V, 12 V and the processor core voltage  $V_{CCP}$ , without any external components. To allow for the tolerance of these supply voltages, the A-to-D converter produces an output of 3/4 full scale (decimal 192) for the nominal input voltage, and so has adequate headroom to cope with overvoltages. Table II shows the input ranges of the analog inputs and output codes of the A-to-D converter.

When the ADC is running, it samples and converts an input every 11.6 ms, except for the external temperature (D+ and D-) input. This has special input signal conditioning and is averaged over 16 conversions to reduce noise; a measurement on this input takes nominally 34.8 ms.

## INPUT CIRCUITS

The internal structure for the analog inputs are shown in Figure 10. Each input circuit consists of an input protection diode, an attenuator, plus a capacitor to form a first-order low-pass filter which gives the input immunity to high frequency noise.

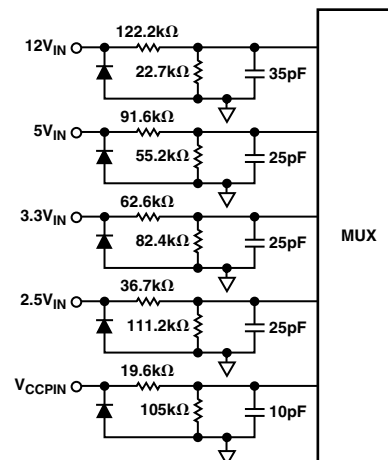


Figure 10. Structure of Analog Inputs



**Table II. A/D Output Code vs.  $V_{IN}$**

Input Voltage					A/D Output	
$12 V_{IN}$	$5 V_{IN}$	$V_{CC}/3.3 V_{IN}$	$2.5 V_{IN}$	$V_{CCPIN}$	Decimal	Binary
<0.062	<0.026	<0.0172	<0.013	<0.012	0	0000 0000
0.062–0.125	0.026–0.052	0.017–0.034	0.013–0.026	0.012–0.023	1	0000 0001
0.125–0.188	0.052–0.078	0.034–0.052	0.026–0.039	0.023–0.035	2	0000 0010
0.188–0.250	0.078–0.104	0.052–0.069	0.039–0.052	0.035–0.047	3	0000 0011
0.250–0.313	0.104–0.130	0.069–0.086	0.052–0.065	0.047–0.058	4	0000 0100
0.313–0.375	0.130–0.156	0.086–0.103	0.065–0.078	0.058–0.070	5	0000 0101
0.375–0.438	0.156–0.182	0.103–0.120	0.078–0.091	0.070–0.082	6	0000 0110
0.438–0.500	0.182–0.208	0.120–0.138	0.091–0.104	0.082–0.093	7	0000 0111
0.500–0.563	0.208–0.234	0.138–0.155	0.104–0.117	0.093–0.105	8	0000 1000
			•			
			•			
4.000–4.063	1.666–1.692	1.100–1.117	0.833–0.846	0.749–0.761	64 (1/4 Scale)	0100 0000
			•			
			•			
8.000–8.063	3.330–3.560	2.200–2.217	1.667–1.680	1.499–1.511	128 (1/2 Scale)	1000 0000
			•			
			•			
12.000–12.063	5.000–5.026	3.300–3.317	2.500–2.513	2.249–2.261	192 (3/4 Scale)	1100 0000
			•			
			•			
15.312–15.375	6.380–6.406	4.210–4.230	3.190–3.203	2.869–2.881	245	1111 0101
15.375–15.437	6.406–6.432	4.230–4.245	3.203–3.216	2.881–2.893	246	1111 0110
15.437–15.500	6.432–6.458	4.245–4.263	3.216–3.229	2.893–2.905	247	1111 0111
15.500–15.563	6.458–6.484	4.263–4.280	3.229–3.242	2.905–2.916	248	1111 1000
15.625–15.625	6.484–6.510	4.280–4.300	3.242–3.255	2.916–2.928	249	1111 1001
15.625–15.688	6.510–6.536	4.300–4.314	3.255–3.268	2.928–2.940	250	1111 1010
15.688–15.750	6.536–6.562	4.314–4.330	3.268–3.281	2.940–2.951	251	1111 1011
15.750–15.812	6.562–6.588	4.331–4.348	3.281–3.294	2.951–2.964	252	1111 1100
15.812–15.875	6.588–6.615	4.348–4.366	3.294–3.307	2.964–2.975	253	1111 1101
15.875–15.938	6.615–6.640	4.366–4.383	3.307–3.320	2.975–2.987	254	1111 1110
>15.938	>6.640	>4.383	>3.320	>2.988	255	1111 1111

# ADM1025/ADM1025A

## TEMPERATURE MEASUREMENT SYSTEM

### Internal Temperature Measurement

The ADM1025/ADM1025A contains an on-chip bandgap temperature sensor, whose output is digitized by the on-chip ADC. The temperature data is stored in the Local Temperature Value Register (address 27h). As both positive and negative temperatures can be measured, the temperature data is stored in two's complement format, as shown in Table III. Theoretically, the temperature sensor and ADC can measure temperatures from  $-128^{\circ}\text{C}$  to  $+127^{\circ}\text{C}$  with a resolution of  $1^{\circ}\text{C}$ , although temperatures below  $0^{\circ}\text{C}$  and above  $100^{\circ}\text{C}$  are outside the operating temperature range of the device.

### External Temperature Measurement

The ADM1025/ADM1025A can measure temperature using an external diode sensor or diode-connected transistor, connected to Pins 9 and 10.

The forward voltage of a diode or diode-connected transistor, operated at a constant current, exhibits a negative temperature coefficient of about  $-2\text{ mV}/^{\circ}\text{C}$ . Unfortunately, the absolute value of  $V_{\text{BE}}$ , varies from device to device, and individual calibration is required to null this out, so the technique is unsuitable for mass production.

The technique used in the ADM1025/ADM1025A is to measure the change in  $V_{\text{BE}}$  when the device is operated at two different currents.

This is given by:

$$\Delta V_{\text{BE}} = KT/q \times \ln(N)$$

where:

- $K$  is Boltzmann's constant
- $q$  is charge on the carrier
- $T$  is absolute temperature in Kelvins
- $N$  is ratio of the two currents

Figure 11 shows the input signal conditioning used to measure the output of an external temperature sensor. This figure shows the external sensor as a substrate transistor, provided for temperature monitoring on some microprocessors, but it could equally well be a discrete transistor.

If a discrete transistor is used, the collector will not be grounded, and should be linked to the base. If a PNP transistor is used, the base is connected to the D- input and the emitter to the D+ input. If an NPN transistor is used, the emitter is connected to the D- input and the base to the D+ input.

Bit 6 of Status Register 2 (42h) is set if a remote diode fault is detected. The ADM1025/ADM1025A detects shorts from D+ to GND or supply, as well as shorts/opens between D+/D-.

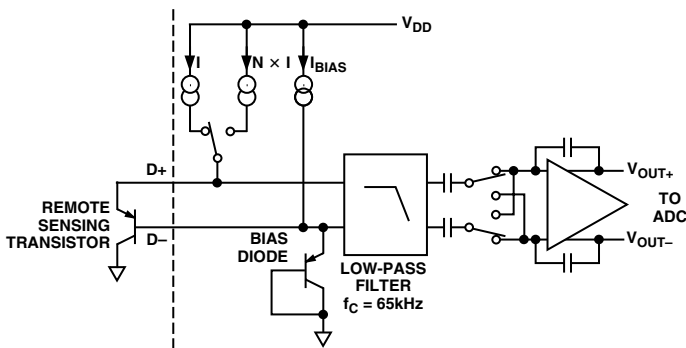


Figure 11. Signal Conditioning for External Diode Temperature Sensors

Table III. Temperature Data Format

Temperature	Digital Output
$-128^{\circ}\text{C}$	1000 0000
$-125^{\circ}\text{C}$	1000 0011
$-100^{\circ}\text{C}$	1001 1100
$-75^{\circ}\text{C}$	1011 0101
$-50^{\circ}\text{C}$	1100 1110
$-25^{\circ}\text{C}$	1110 0111
$0^{\circ}\text{C}$	0000 0000
$+10^{\circ}\text{C}$	0000 1010
$+25^{\circ}\text{C}$	0001 1001
$+50^{\circ}\text{C}$	0011 0010
$+75^{\circ}\text{C}$	0100 1011
$+100^{\circ}\text{C}$	0110 0100
$+125^{\circ}\text{C}$	0111 1101
$+127^{\circ}\text{C}$	0111 1111

To prevent ground noise interfering with the measurement, the more negative terminal of the sensor is not referenced to ground, but is biased above ground by an internal diode at the D- input.

If the sensor is used in a very noisy environment, a capacitor of value up to  $1\text{ nF}$  may be placed between the D+ and D- inputs to filter the noise.

To measure  $\Delta V_{\text{BE}}$ , the sensor is switched between operating currents of  $I$  and  $N \times I$ . The resulting waveform is passed through a  $65\text{ kHz}$  low-pass filter to remove noise, then to a chopper-stabilized amplifier that performs the functions of amplification and rectification of the waveform to produce a dc voltage proportional to  $\Delta V_{\text{BE}}$ . This voltage is measured by the ADC to give a temperature output in 8-bit two's complement format. To further reduce the effects of noise, digital filtering is performed by averaging the results of sixteen measurement cycles. An external temperature measurement takes nominally  $34.8\text{ ms}$ .

## LAYOUT CONSIDERATIONS

Digital boards can be electrically noisy environments and care must be taken to protect the analog inputs from noise, particularly when measuring the very small voltages from a remote diode sensor. The following precautions should be taken:

1. Place the ADM1025/ADM1025A as close as possible to the remote sensing diode. Provided that the worst noise sources such as clock generators, data/address buses and CRTs are avoided, this distance can be four to eight inches.
2. Route the D+ and D- tracks close together, in parallel, with grounded guard tracks on each side. Provide a ground plane under the tracks if possible.
3. Use wide tracks to minimize inductance and reduce noise pickup.  $10\text{ mil}$  track minimum width and spacing is recommended.



Figure 12. Arrangement of Signal Tracks

4. Try to minimize the number of copper/solder joints, which can cause thermocouple effects. Where copper/solder joints are used, make sure that they are in both the D+ and D– path and at the same temperature.  
Thermocouple effects should not be a major problem as 1°C corresponds to about 240  $\mu\text{V}$ , and thermocouple voltages are about 3  $\mu\text{V}/^\circ\text{C}$  of temperature difference. Unless there are two thermocouples with a big temperature differential between them, thermocouple voltages should be much less than 200  $\mu\text{V}$ .
5. Place 0.1  $\mu\text{F}$  bypass and 1 nF input filter capacitors close to the ADM1025/ADM1025A.
6. If the distance to the remote sensor is more than 8 inches, the use of twisted pair cable is recommended. This will work up to about 6 to 12 feet.
7. For really long distances (up to 100 feet) use shielded twisted pair such as Belden #8451 microphone cable. Connect the twisted pair to D+ and D– and the shield to GND close to the ADM1025/ADM1025A. Leave the remote end of the shield unconnected to avoid ground loops.

Because the measurement technique uses switched current sources, excessive cable and/or filter capacitance can affect the measurement. When using long cables, the filter capacitor may be reduced or removed.

Cable resistance can also introduce errors. 1  $\Omega$  series resistance introduces about 0.5°C error.

#### LIMIT VALUES

High and low limit values for each measurement channel are stored in the appropriate limit registers. As each channel is measured, the measured value is stored and compared with the programmed limit.

#### STATUS REGISTERS

The results of limit comparisons are stored in Status Registers 1 and 2. The Status Register bit for a particular measurement channel reflects the status of the last measurement and limit comparison on that channel. If a measurement is within limits the corresponding Status Register bit will be cleared to “0.” If the measurement is out of limits the corresponding status register bit will be set to “1.”

The state of the various measurement channels may be polled by reading the Status Registers over the serial bus. Reading the Status Registers does not affect their contents. Out-of-limit temperature/voltage events may also be used to generate an interrupt, so that remedial action such as turning on a cooling fan may be taken immediately. This is described in the section on  $\overline{\text{RST}}$  and  $\overline{\text{INT}}$ .

#### MONITORING CYCLE TIME

The monitoring cycle begins when a one is written to the Start Bit (Bit 0) of the Configuration Register. The ADC measures each analog input in turn and as each measurement is completed the result is automatically stored in the appropriate value register. This “round-robin” monitoring cycle continues until it is disabled by writing a 0 to Bit 0 of the Configuration Register.

As the ADC will normally be left to free-run in this manner, the time taken to monitor all the analog inputs will normally not be of interest, as the most recently measured value of any input can be read out at any time.

#### INPUT SAFETY

Scaling of the analog inputs is performed on-chip, so external attenuators are normally not required. However, since the power supply voltages will appear directly at the pins, it is advisable to add small external resistors in series with the supply traces to the chip to prevent damaging the traces or power supplies should an accidental short such as a probe connect two power supplies together.

As the resistors will form part of the input attenuators, they will affect the accuracy of the analog measurement if their value is too high. The analog input channels are calibrated assuming an external series resistor of 500  $\Omega$ , and the accuracy will remain within specification for any value from zero to 1 k $\Omega$ , so a standard 510  $\Omega$  resistor is suitable.

The worst such accident would be connecting 0 V to 12 V—a total of 12 V difference, with the series resistors this would draw a maximum current of approximately 12 mA.

#### LAYOUT AND GROUNDING

Analog inputs will provide best accuracy when referred to a clean ground. A separate, low impedance ground plane for analog ground, which provides a ground point for the voltage dividers and analog components, will provide best performance but is not mandatory.

The power supply bypass, the parallel combination of 10  $\mu\text{F}$  (electrolytic or tantalum) and 0.1  $\mu\text{F}$  (ceramic) bypass capacitors connected between Pin 9 and ground, should also be located as close as possible to the ADM1025/ADM1025A.

#### $\overline{\text{RST}}/\overline{\text{INT}}$ OUTPUT

As previously mentioned, Pin 16 is a multifunction pin. Its state after power-on is latched to set the lowest two bits of the serial bus address. During NAND tree board-level connectivity testing it functions as the output of the NAND tree. It may also be used as a reset output, or as an interrupt output for out-of-limit temperature/voltage events.

Pin 16 is programmed as a reset output by clearing bit 0 of the Test Register and setting Bit 7 of the VID Register. A low going, 20 ms, reset output pulse can then be generated by setting Bit 4 of the Configuration Register.

If Bit 7 of the VID Register is cleared, Pin 16 can be programmed as an interrupt output for out-of-limit temperature/voltage events ( $\overline{\text{INT}}$ ). Desired interrupt operation is achieved by changing the values of Bits 1 and 0 of the Test Register as shown in Table IV. Note, however, that Bits 2 to 7 of the Test Register *must* be zeros (not don't cares). If, for example,  $\overline{\text{INT}}$  is programmed for thermal and voltage interrupts, then if any temperature or voltage measurement goes outside its respective high or low limit, the  $\overline{\text{INT}}$  output will go low. It will remain low until Status Register 1 is read, when it will be cleared. If the temperature or voltage remains out of limit,  $\overline{\text{INT}}$  will be reasserted on the next monitoring cycle.  $\overline{\text{INT}}$  can also be cleared by issuing an Alert Response Address Call.

# ADM1025/ADM1025A

Table IV. Controlling the Operation of  $\overline{\text{INT}}$

Test Register		Function
Bit 1	Bit 0	
0	0	Interrupts Disabled
0	1	Thermal Interrupt Only
1	0	Voltage Interrupt Only
1	1	Voltage and Thermal Interrupts

Note that Bit 7 of VID register should be zero, and that Bits 2 to 7 of Test Register must be zeros.

When Pin 16 is used as a  $\overline{\text{RST}}$  or  $\overline{\text{INT}}$  output, it is open-drain and requires an external pull-up resistor. This will restrict the address function on Pin 16 to being high at power-up. If the  $\overline{\text{RST}}$  or  $\overline{\text{INT}}$  function is required and *two* ADM1025/ADM1025As are to be used on the same serial bus, A1/A0 can be set to 10 by using a high value pull-up on Pin 16 (100 k $\Omega$  or greater). This will not override the “floating” condition of ADD during power-up.

Note, however, that the  $\overline{\text{RST}}/\overline{\text{INT}}$  outputs of two or more devices cannot be wire-OR'd, as the devices would then have the same address. If the  $\overline{\text{RST}}/\overline{\text{INT}}$  outputs need to be connected to a common interrupt line, they can be OR'd together using the circuit of Figure 13.

If the  $\overline{\text{RST}}$  or  $\overline{\text{INT}}$  functionality is not required, a third address may be used by setting A1/A0 to 00 by using a 1 k $\Omega$  pull-down resistor on Pin 16. Note that this address should not be used if  $\overline{\text{RST}}$  or  $\overline{\text{INT}}$  is required, since using this address will cause the device to appear to be generating resets or interrupts, since Pin 16 will be permanently tied low.

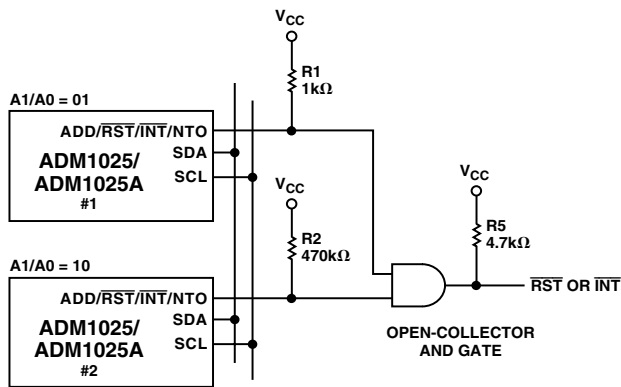


Figure 13. Using Two ADM1025/ADM1025As on the Same Bus with a Common Interrupt

## GENERATING AN $\overline{\text{SMBALERT}}$

The  $\overline{\text{INT}}$  output can be used as an interrupt output or can be used as an  $\overline{\text{SMBALERT}}$ . One or more  $\overline{\text{INT}}$  outputs can be connected to a common  $\overline{\text{SMBALERT}}$  line connected to the master. If a device's  $\overline{\text{INT}}$  line goes low, the following procedure occurs:

1.  $\overline{\text{SMBALERT}}$  pulled low.
2. Master initiates a read operation and sends the Alert Response Address (ARA = 0001 100). This is a general call address that must not be used as a specific device address.
3. The device whose  $\overline{\text{INT}}$  output is low responds to the Alert Response Address, and the master reads its device address. The address of the device is now known and it can be interrogated in the usual way.
4. If more than one device's  $\overline{\text{INT}}$  output is low, the one with the lowest device address will have priority, in accordance with normal SMBus arbitration.
5. Once the ADM1025/ADM1025A has responded to the Alert Response Address, it will reset its  $\overline{\text{INT}}$  output; however, if the error condition that caused the interrupt persists,  $\overline{\text{INT}}$  will be reasserted on the next monitoring cycle.

## NAND TREE TESTS

A NAND tree is provided in the ADM1025/ADM1025A for Automated Test Equipment (ATE) board level connectivity testing. The device is placed into NAND Test Mode by powering up with Pin 9 (D-NTI) held high. This pin is automatically sampled after power-up and if it is connected high, the NAND test mode is invoked.

In NAND test mode, all digital inputs may be tested as illustrated below. ADD/ $\overline{\text{RST}}/\overline{\text{INT}}/\text{NTO}$  will become the NAND test output pin.

To perform a NAND tree test, all pins are initially driven low. The test vectors set all inputs low, then one-by-one toggle them high (keeping them high). Exercising the test circuit with this “walking one” pattern, starting with the input closest to the output of the tree, cycling toward the farthest, causes the output of the tree to toggle with each input change. Allow for a typical propagation delay of 500 ns. The structure of the NAND tree is shown in Figure 14.

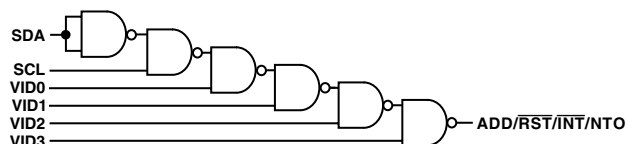


Figure 14. NAND Tree

Note: If any of the inputs shown in Figure 14 are unused, they should not be connected directly to ground, but via a resistor such as 10 k $\Omega$ . This will allow the ATE (Automatic Test Equipment) to drive every input high so that the NAND tree test can be properly carried out. Refer to Table XVI for Test Vectors.

## USING THE ADM1025/ADM1025A

### Power-On RESET

When power is first applied, the ADM1025/ADM1025A performs a “power- on reset” on several of its registers. Registers whose power-on values are not shown have power-on conditions that are indeterminate. Value and limit registers are reset to 00h on power-up. The ADC is inactive. In most applications, usually the first action after power-on would be to write limits into the Limit Registers.

Power-on reset clears or initializes the following registers (the initialized values are shown in Table VI):

- Configuration Register
- Status Registers #1 and #2
- VID0-3 Register
- VID4 Register
- Test Register

### INITIALIZATION

Configuration Register Initialization performs a similar, but not identical, function to power-on reset.

Configuration Register Initialization is accomplished by setting Bit 7 of the Configuration Register high. This bit automatically clears after being set.

### USING THE CONFIGURATION REGISTER

Control of the ADM1025/ADM1025A is provided through the configuration register. The Configuration Register is used to start and stop the ADM1025/ADM1025A, programming the operating modes of Pins 11 and 16, and provide the initialization function described above.

Bit 0 of the Configuration Register controls the monitoring loop of the ADM1025/ADM1025A. Setting Bit 0 low stops the monitoring loop and puts the ADM1025/ADM1025A into a low power mode thereby reducing power consumption. Serial bus communication is still possible with any register in the ADM1025/ADM1025A while in low power mode. Setting Bit 0 high starts the monitoring loop.

Bit 4 of the Configuration Register causes a low going 20 ms (typ) pulse at the RST pin (Pin 16) when set. This bit is self-clearing.

Bit 5 of the Configuration Register selects the operating mode of pin 11 between the default of 12 V analog input (Bit 5 = 0) and VID4 (Bit 5 = 1).

Bit 7 of the Configuration Register is used to start a Configuration Register Initialization when it is set to 1.

### USING THE OFFSET REGISTER

This register contains a two’s complement value that is added (or subtracted if the number is negative) to either the internal or external temperature reading. Note that the default value in the offset register is zero, so zero is always added to the temperature reading. The offset register is configured for the external temperature channel by default. It may be switched to the internal channel by setting Bit 0 of the Test Register to 1, setting Bit 6 of the VID Register to 1, and clearing Bit 7 of the VID Register.

### STARTING CONVERSION

The monitoring function of the ADM1025/ADM1025A is started by writing to the Configuration Register and setting Start (Bit 0), high. Limit values should be written into the Limit Registers

before starting the ADC to avoid spurious out-of-limit conditions. The time taken to complete the analog measurements depends on how they are configured, as described elsewhere. Once the measurements have been completed, the results can be read from the Value Registers at any time.

### REDUCED POWER AND SHUTDOWN MODE

The ADM1025/ADM1025A can be placed in a low power mode by setting Bit 0 of the Configuration Register to 0. This disables the internal ADC. Full shutdown mode may then be achieved by setting Bit 7 of the VID Register to 1 AND Bit 0 of the Test Register to 1. This turns off power to all analog circuits and stops the monitoring cycle, if running, but it does not affect the condition of any of the registers. The device will return to its previous state when these bits are reset to zero.

### 5 V OPERATION

The ADM1025/ADM1025A may be operated with  $V_{CC}$  connected to any supply voltage between 3.0 V and 5.5 V, but it should be noted that the device has been optimized for 3.3 V operation. In particular, the internal voltage divider used to measure the supply voltage is optimized for 3.3 V. Powering the device from 5 V will cause the  $V_{CC}$  Reading Register (Register 25h) to overrange. In this case, the 5 V measurement should be read from the 5 V Reading Register (Register 23h), instead of the  $V_{CC}$  Reading Register. Note also that when 12  $V_{IN}/VID4$  pin is programmed to read VID4, due to its internal voltage divider, it will only read  $V_{IH} = 2.1$  V on 12  $V_{IN}/VID4$  pin as logic high if device is being powered from 3.3 V supply.

## REGISTERS

**Table V. Address POINTER Register**

Bit	Name	R/W	Description
7-0	Address Pointer	Write	Address of ADM1025/ADM1025A Registers. See the tables below for detail.

**Table VI. List of Registers**

Register Name	Address A7-A0 in Hex	Power On Value of Registers: <7:0>
Configuration Register	40h	0000 1000
Status Register 1	41h	0000 0000
Status Register 2	42h	0000 0000
VID Register	47h	<7:4> = 0000, <3:0> = VID3-VID0
VID4 Register	49h	<0> = VID4; Default = 1000 000 (VID4)
Value and Limit Registers	15-3Dh	
Company ID	3Eh	0100 0001
Stepping	3Fh	0010 (Bits 3:0 Version Number)

# ADM1025/ADM1025A

**Table VII. Register 40H – Configuration Register**

Bit	Name	R/W	Description
0	START	Read/Write	Logic 1 enables start-up of monitor ASIC, Logic 0 places the ASIC in standby mode. At start-up, limit checking functions and scanning begins. Note, all HIGH and LOW LIMITS should be set into the ADM1025/ADM1025A prior to turning on this bit. (Power-up Default = 0)
1	Reserved	Read	
2	Reserved	Read	
3	Reserved	Read	
4	RESET	Read/Write	Setting this bit generates a minimum 20 ms low pulse on Pin 16, if the function is enabled.
5	+12/VID4 Select	Read/Write	Selects whether Pin 11 acts as a 12 V Analog Input monitoring pin, or as a VID[4] input. This pin defaults to the 12 V Analog Input. (Default = 0)
6	Reserved	Read	
7	Initialization	Read/Write	Logic 1 restores power-up default values to the Configuration Register and Status Registers. This bit automatically clears itself and the power-on default is zero.

**Table VIII. Register 41H – STATUS Register 1 (Power-On Default <7:0> = 00h)**

Bit	Name	R/W	Description
0	+2.5 V_Error	Read Only	A one indicates a High or Low limit has been exceeded.
1	V <sub>CCP</sub> _Error	Read Only	A one indicates a High or Low limit has been exceeded.
2	+3.3 V_Error	Read Only	A one indicates a High or Low limit has been exceeded.
3	+5 V_Error	Read Only	A one indicates a High or Low limit has been exceeded.
4	Local Temp Error	Read Only	A one indicates that a High or a Low Temperature limit has been exceeded.
5	Remote Temp Error	Read Only	A one indicates a High or Low Remote Temperature Limit has been exceeded.
6	Reserved		
7	Reserved		

**Table IX. Register 42H – Status Register 2 (Power-On Default <7:0> = 00h)**

Bit	Name	R/W	Description
0	+12 V_Error	Read Only	A one indicates a High or Low limit has been exceeded.
1	V <sub>CC</sub> _Error	Read Only	A one indicates a High or Low limit has been exceeded.
2	Reserved	Read Only	Undefined
3	Reserved	Read Only	Undefined
4	Reserved	Read Only	Undefined
5	Reserved	Read Only	Undefined
6	Remote Diode Fault	Read Only	A one indicates either a short or open circuited fault on the remote thermal diode inputs.
7	Reserved	Read Only	Undefined

**Table X. Register 47h – VID REGISTER (Power-On Default = 0000 (VID[3:0]))**

Bit	Name	R/W	Description
0–3	VID[3:0]	Read Only	The VID[3:0] inputs from Pentium/PRO power supplies to indicate the operating voltage (e.g., 1.3 V to 2.9 V).
4–5	Reserved	Read Only	Undefined
6	Offset Config	Read/Write	Configures offset register to be used with internal or external channel. If Bit 0 of Test Register = 1, and Bit 7 of VID Register = 0, then setting this bit to 1 configures the Offset Register to the internal temperature channel. Clearing this bit configures the Offset Register to the external temperature channel. (Default = 0)
7	R <sub>ST</sub> ENABLE	Read/Write	When set to 1, enables the R <sub>ST</sub> output function on Pin 16. This bit defaults to 0 on power-up. (R <sub>ST</sub> Disabled.)

**Table XI. Register 49h – VID4 Register (Power-On Default = 1000 000(VID4))**

Bit	Name	R/W	Description
0	VID4	Read	VID4 Input (If Selected) (Defaults to 0)
1–7	Reserved	Read	

**Table XII. Registers 15h–3Dh – Value and Limit Registers**

Address	R/W	Description
15h	Read/Write	Manufacturers Test Register
1Fh	Read/Write	Offset Register
20h	Read Only	2.5 V Reading
21h	Read Only	V <sub>CCP</sub> Reading
22h	Read Only	3.3 V Reading
23h	Read Only	5 V Reading
24h	Read Only	12 V Reading
25h	Read Only	V <sub>CC</sub> Reading
26h	Read Only	Remote Diode Temperature Reading
27h	Read Only	Local Temperature Reading
2Bh	Read/Write	2.5 V High Limit
2Ch	Read/Write	2.5 V Low Limit
2Dh	Read/Write	V <sub>CCP</sub> High Limit
2Eh	Read/Write	V <sub>CCP</sub> Low Limit
2Fh	Read/Write	3.3 V High Limit
30h	Read/Write	3.3 V Low Limit
31h	Read/Write	5 V High Limit
32h	Read/Write	5 V Low Limit
33h	Read/Write	12 V High Limit
34h	Read/Write	12 V Low Limit
35h	Read/Write	V <sub>CC</sub> High Limit
36h	Read/Write	V <sub>CC</sub> Low Limit
37h	Read/Write	Remote Temperature High Limit
38h	Read/Write	Remote Temperature Low Limit
39h	Read/Write	Local Temperature High Limit
3Ah	Read/Write	Local Temperature Low Limit

**NOTE**

For the high limits of the voltages, the device is doing a greater-than comparison. For the low limits, however, it is doing a less-than or equal comparison.

**Table XIII. Register 15h – Manufacturers Test Register**

Bit	Name	R/W	Description
0		Read/Write	Used to select $\overline{\text{RST}}$ or $\overline{\text{INT}}$ functions. Refer to $\overline{\text{RST}}/\overline{\text{INT}}$ Input section.
1		Read/Write	Used to select $\overline{\text{RST}}$ or $\overline{\text{INT}}$ functions. Refer to $\overline{\text{RST}}/\overline{\text{INT}}$ Input section.
2–7	Reserved	Read/Write	Reserved. Only values written to these bits should be zeros.

**Table XIV. Register 3Eh – Company ID**

Value (Bits 7:0)	R/W	Description
0100 0001	Read Only	This location contains the company identification number which may be used by software to determine the manufacturer’s device. This register is read only.

**Table XV. Register 3Fh – Stepping**

Value (Bits 7:0)	R/W	Description
0010 [Version]	Read Only	Stepping ID Number and Version

**Table XVI. NAND Tree Test Vectors**

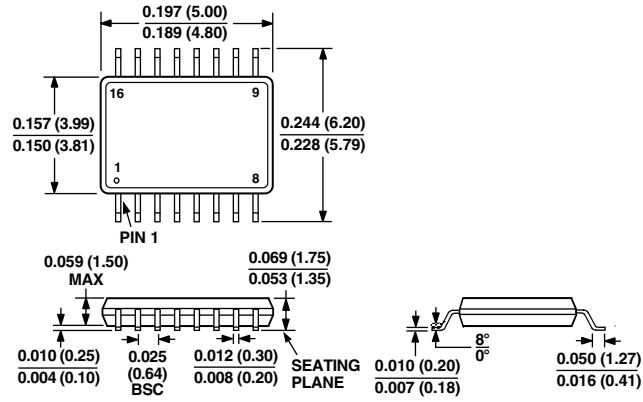
Vector No.	SDA	SCL	VID0	VID1	VID2	VID3	ADD/ $\overline{\text{RST}}$ / $\overline{\text{INT}}/\text{NTO}$
1	0	0	0	0	0	0	1
2	0	0	0	0	0	1	0
3	0	0	0	0	1	1	1
4	0	0	0	1	1	1	0
5	0	0	1	1	1	1	1
6	0	1	1	1	1	1	0
7	1	1	1	1	1	1	1

# ADM1025/ADM1025A

## OUTLINE DIMENSIONS

Dimensions shown in inches and (mm).

### 16-Lead QSOP (RQ-16)



REF: JEDEC 0.150" SSOP - DRAWING NUMBER MO-137