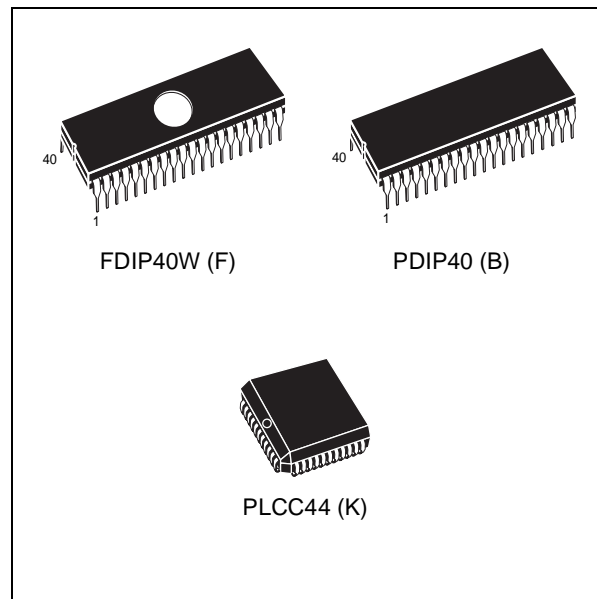




M27W400

4 Mbit (512Kb x8 or 256Kb x16) Low Voltage UV EPROM and OTP EPROM

- 2.7 to 3.6V LOW VOLTAGE in READ OPERATION
- READ ACCESS TIME:
 - 80ns at $V_{CC} = 3.0$ to 3.6V
 - 100ns at $V_{CC} = 2.7$ to 3.6V
- BYTE-WIDE or WORD-WIDE CONFIGURABLE
- 4 Mbit MASK ROM REPLACEMENT
- LOW POWER CONSUMPTION
 - Active Current 20mA at 8MHz
 - Stand-by Current 15 μ A
- PROGRAMMING VOLTAGE: 12.5V \pm 0.25V
- PROGRAMMING TIME: 50 μ s/word
- ELECTRONIC SIGNATURE
 - Manufacturer Code: 20h
 - Device Code: B8h



DESCRIPTION

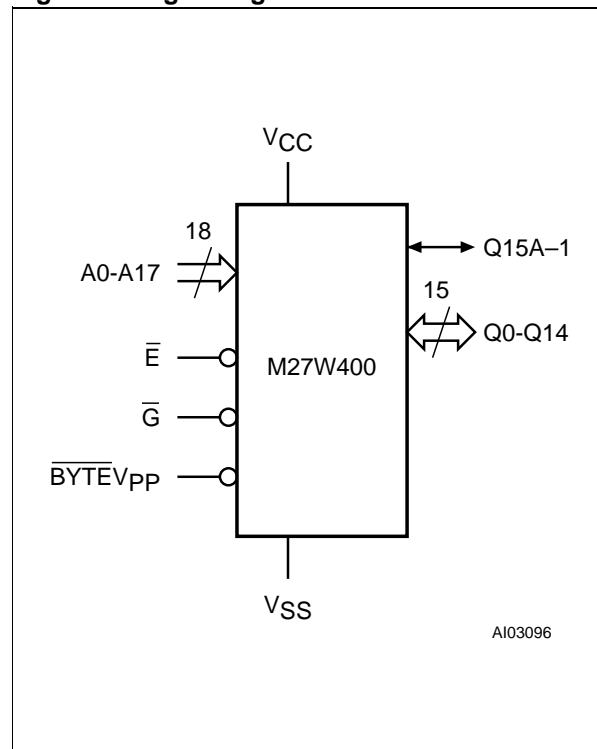
The M27W400 is a low voltage 4 Mbit EPROM offered in the two range UV (Ultra Violet Erase) and OTP (one time programmable). It is ideally suited for microprocessor systems requiring large data or program storage. It is organised as either 512 Kwords of 8 bit or 256 Kwords of 16 bit. The pin-out is compatible with the most common 4 Mbit Mask ROM.

The M27W400 operates in the read mode with a supply voltage as low as 2.7V at -40 to 85°C temperature range. The decrease in operating power allows either a reduction of the size of the battery or an increase in the time between battery recharges.

The FDIP40W (window ceramic frit-seal package) has a transparent lid which allows the user to expose the chip to ultraviolet light to erase the bit pattern. A new pattern can then be written to the device by following the programming procedure.

For application where the content is programmed only one time and erasure is not required, the M27W400 is offered in PDIP40 and PLCC44 packages.

Figure 1. Logic Diagram



M27W400

Figure 2A. DIP Connections

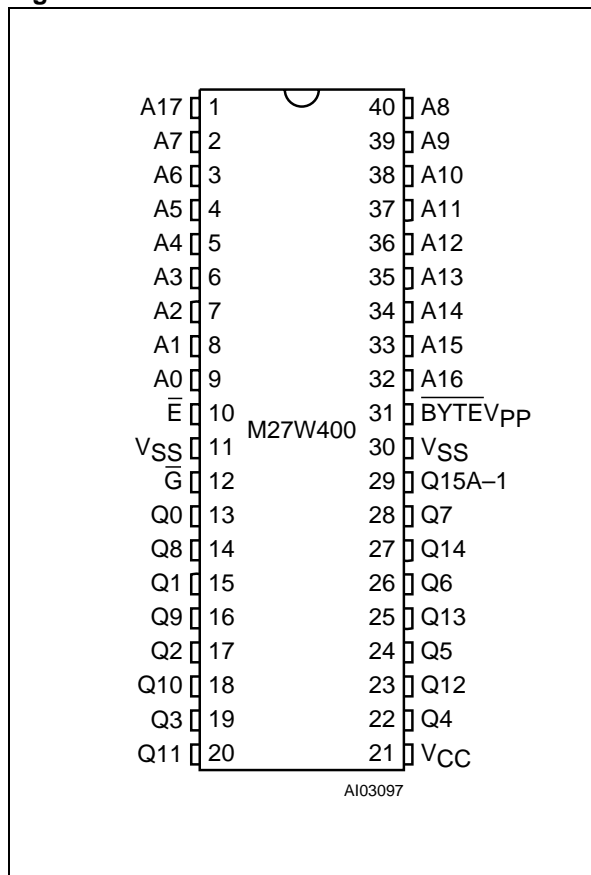


Figure 2B. LCC Connections

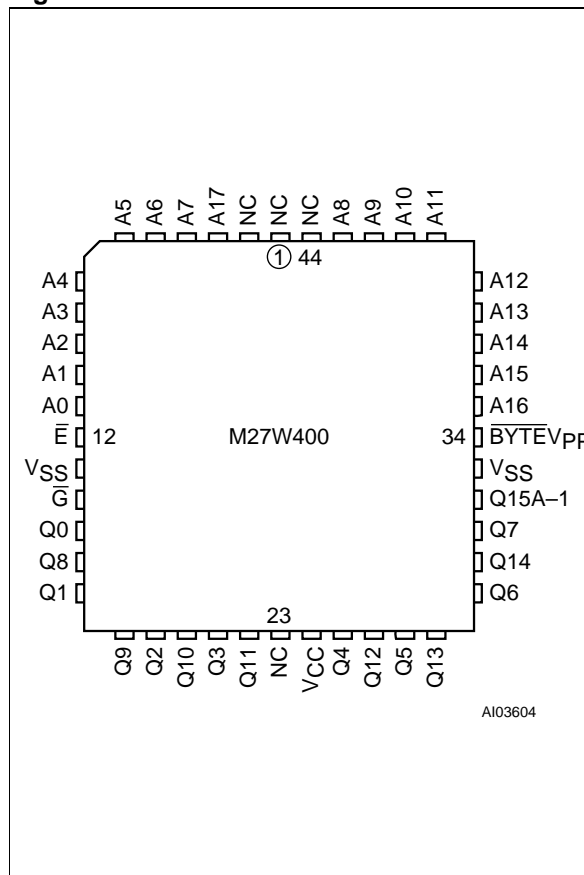


Table 1. Signal Names

A0-A17	Address Inputs
Q0-Q7	Data Outputs
Q8-Q14	Data Outputs
Q15A-1	Data Output / Address Input
\bar{E}	Chip Enable
\bar{G}	Output Enable
$\overline{BYTEV_{PP}}$	Byte Mode / Program Supply
V _{CC}	Supply Voltage
V _{SS}	Ground

DEVICE OPERATION

The operating modes of the M27W400 are listed in the Operating Modes Table. A single power supply is required in the read mode. All inputs are TTL compatible except for V_{PP} and 12V on A9 for the Electronic Signature.

Read Mode

The M27W400 has two organisations, Word-wide and Byte-wide. The organisation is selected by the signal level on the $\overline{BYTEV_{PP}}$ pin. When $\overline{BYTEV_{PP}}$ is at V_{IH} the Word-wide organisation is selected and the Q15A-1 pin is used for Q15 Data Output. When the $\overline{BYTEV_{PP}}$ pin is at V_{IL} the Byte-wide organisation is selected and the Q15A-1 pin is used for the Address Input A-1. When the memory is logically regarded as 16 bit wide, but read in the Byte-wide organisation, then with A-1 at V_{IL} the lower 8 bits of the 16 bit data are selected and with A-1 at V_{IH} the upper 8 bits of the 16 bit data are selected.

Table 2. Absolute Maximum Ratings (1)

Symbol	Parameter	Value	Unit
T _A	Ambient Operating Temperature (3)	-40 to 125	°C
T _{BIAS}	Temperature Under Bias	-50 to 125	°C
T _{STG}	Storage Temperature	-65 to 150	°C
V _{IO} (2)	Input or Output Voltage (except A9)	-2 to 7	V
V _{CC}	Supply Voltage	-2 to 7	V
V _{A9} (2)	A9 Voltage	-2 to 13.5	V
V _{PP}	Program Supply Voltage	-2 to 14	V

Note: 1. Except for the rating "Operating Temperature Range", stresses above those listed in the Table "Absolute Maximum Ratings" may cause permanent damage to the device. These are stress ratings only and operation of the device at these or any other conditions above those indicated in the Operating sections of this specification is not implied. Exposure to Absolute Maximum Rating conditions for extended periods may affect device reliability. Refer also to the STMicroelectronics SURE Program and other relevant quality documents.

2. Minimum DC voltage on Input or Output is -0.5V with possible undershoot to -2.0V for a period less than 20ns. Maximum DC voltage on Output is V_{CC} +0.5V with possible overshoot to V_{CC} +2V for a period less than 20ns.
3. Depends on range.

Table 3. Operating Modes

Mode	\bar{E}	\bar{G}	$\overline{BYTEV_{PP}}$	A9	Q7-Q0	Q14-Q8	Q15A-1
Read Word-wide	V _{IL}	V _{IL}	V _{IH}	X	Data Out	Data Out	Data Out
Read Byte-wide Upper	V _{IL}	V _{IL}	V _{IL}	X	Data Out	Hi-Z	V _{IH}
Read Byte-wide Lower	V _{IL}	V _{IL}	V _{IL}	X	Data Out	Hi-Z	V _{IL}
Output Disable	V _{IL}	V _{IH}	X	X	Hi-Z	Hi-Z	Hi-Z
Program	V _{IL} Pulse	V _{IH}	V _{PP}	X	Data In	Data In	Data In
Verify	V _{IH}	V _{IL}	V _{PP}	X	Data Out	Data Out	Data Out
Program Inhibit	V _{IH}	V _{IH}	V _{PP}	X	Hi-Z	Hi-Z	Hi-Z
Standby	V _{IH}	X	X	X	Hi-Z	Hi-Z	Hi-Z
Electronic Signature	V _{IL}	V _{IL}	V _{IH}	V _{ID}	Codes	Codes	Code

Note: X = V_{IH} or V_{IL}, V_{ID} = 12V ± 0.5V.

Table 4. Electronic Signature

Identifier	A0	Q15 or Q7	Q14 or Q6	Q13 or Q5	Q12 or Q4	Q11 or Q3	Q10 or Q2	Q9 or Q1	Q8 or Q0	Hex Data
Manufacturer's Code	V _{IL}	0	0	1	0	0	0	0	0	20h
Device Code	V _{IH}	1	0	1	1	1	0	0	0	B8h

Table 5. AC Measurement Conditions

	High Speed	Standard
Input Rise and Fall Times	≤ 10ns	≤ 20ns
Input Pulse Voltages	0 to 3V	0.4V to 2.4V
Input and Output Timing Ref. Voltages	1.5V	0.8V and 2V

Figure 3. Testing Input Output Waveform

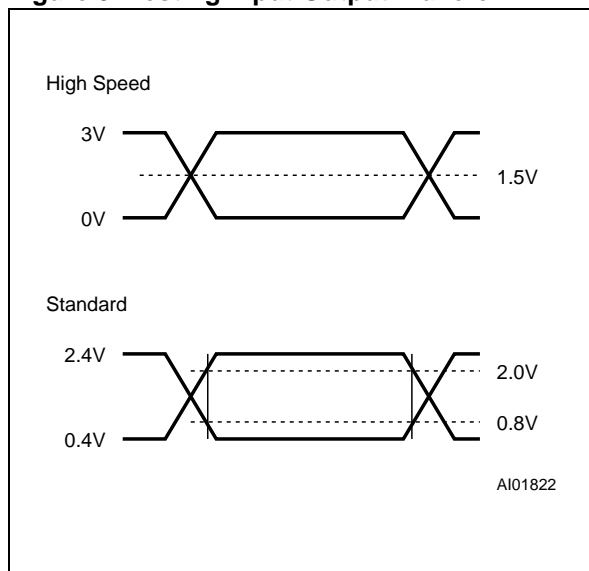


Figure 4. AC Testing Load Circuit

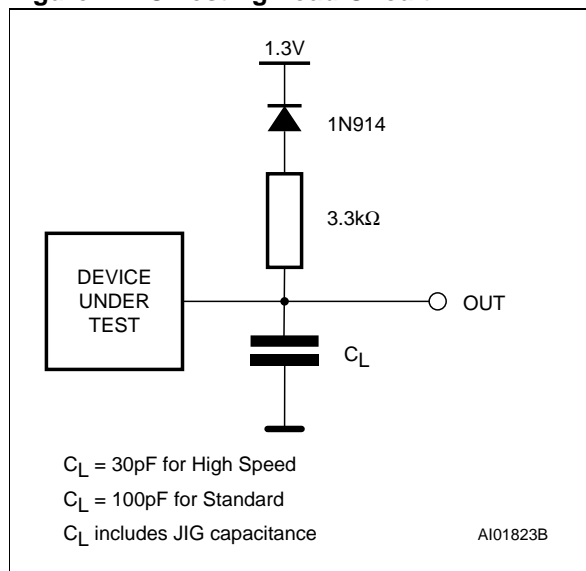


Table 6. Capacitance ⁽¹⁾ (T_A = 25 °C, f = 1 MHz)

Symbol	Parameter	Test Condition	Min	Max	Unit
C _{IN}	Input Capacitance (except $\overline{\text{BYTE}}V_{PP}$)	V _{IN} = 0V		10	pF
	Input Capacitance ($\overline{\text{BYTE}}V_{PP}$)	V _{IN} = 0V		120	pF
C _{OUT}	Output Capacitance	V _{OUT} = 0V		12	pF

Note: 1. Sampled only, not 100% tested.

The M27W400 has two control functions, both of which must be logically active in order to obtain data at the outputs. In addition the Word-wide or Byte-wide organisation must be selected. Chip Enable ($\overline{\text{E}}$) is the power control and should be used for device selection. Output Enable ($\overline{\text{G}}$) is the output control and should be used to gate data to the output pins independent of device selection. Assuming that the addresses are stable, the address access time (t_{AVQV}) is equal to the delay

from $\overline{\text{E}}$ to output (t_{ELQV}). Data is available at the output after a delay of t_{GLQV} from the falling edge of $\overline{\text{G}}$, assuming that $\overline{\text{E}}$ has been low and the addresses have been stable for at least t_{AVQV}-t_{GLQV}.

Standby Mode

The M27W400 has a standby mode which reduces the supply current from 20mA to 15µA. The M27W400 is placed in the standby mode by applying a CMOS high signal to the $\overline{\text{E}}$ input. When in the standby mode, the outputs are in a high impedance state, independent of the $\overline{\text{G}}$ input.

Table 7. Read Mode DC Characteristics (1)(T_A = 0 to 70 °C or -40 to 85 °C; V_{CC} = 2.7 to 3.6V; V_{PP} = V_{CC})

Symbol	Parameter	Test Condition	Min	Max	Unit
I _{LI}	Input Leakage Current	0V ≤ V _{IN} ≤ V _{CC}		±1	μA
I _{LO}	Output Leakage Current	0V ≤ V _{OUT} ≤ V _{CC}		±10	μA
I _{CC}	Supply Current	$\bar{E} = V_{IL}, \bar{G} = V_{IL}, I_{OUT} = 0mA, f = 8MHz$		20	mA
		$\bar{E} = V_{IL}, \bar{G} = V_{IL}, I_{OUT} = 0mA, f = 5MHz$		15	mA
I _{CC1}	Supply Current (Standby) TTL	$\bar{E} = V_{IH}$		1	mA
I _{CC2}	Supply Current (Standby) CMOS	$\bar{E} > V_{CC} - 0.2V$		15	μA
I _{PP}	Program Current	V _{PP} = V _{CC}		10	μA
V _{IL}	Input Low Voltage		-0.6	0.2 V _{CC}	V
V _{IH} (2)	Input High Voltage		0.7 V _{CC}	V _{CC} + 0.5	V
V _{OL}	Output Low Voltage	I _{OL} = 2.1mA		0.4	V
V _{OH}	Output High Voltage TTL	I _{OH} = -400μA	2.4		V

Note: 1. V_{CC} must be applied simultaneously with or before V_{PP} and removed simultaneously or after V_{PP}.2. Maximum DC voltage on Output is V_{CC} + 0.5V.

Two Line Output Control

Because EPROMs are usually used in larger memory arrays, this product features a 2-line control function which accommodates the use of multiple memory connection. The two-line control function allows:

- the lowest possible memory power dissipation
- complete assurance that output bus contention will not occur.

For the most efficient use of these two control lines, \bar{E} should be decoded and used as the primary device selecting function, while \bar{G} should be made a common connection to all devices in the array and connected to the \overline{READ} line from the system control bus. This ensures that all deselected memory devices are in their low power standby mode and that the output pins are only active when data is required from a particular memory device.

System Considerations

The power switching characteristics of Advanced CMOS EPROMs require careful decoupling of the supplies to the devices. The supply current I_{CC} has three segments of importance to the system designer: the standby current, the active current and the transient peaks that are produced by the falling and rising edges of \bar{E} . The magnitude of the transient current peaks is dependent on the capacitive and inductive loading of the device outputs. The associated transient voltage peaks can be suppressed by complying with the two line output control and by properly selected decoupling capacitors. It is recommended that a 0.1μF ceramic capacitor is used on every device between V_{CC} and V_{SS}. This should be a high frequency type of low inherent inductance and should be placed as close as possible to the device. In addition, a 4.7μF electrolytic capacitor should be used between V_{CC} and V_{SS} for every eight devices. This capacitor should be mounted near the power supply connection point. The purpose of this capacitor is to overcome the voltage drop caused by the inductive effects of PCB traces.

M27W400

Table 8. Read Mode AC Characteristics (1)

($T_A = 0$ to 70 °C or -40 to 85 °C; $V_{CC} = 2.7$ to 3.6 V; $V_{PP} = V_{CC}$)

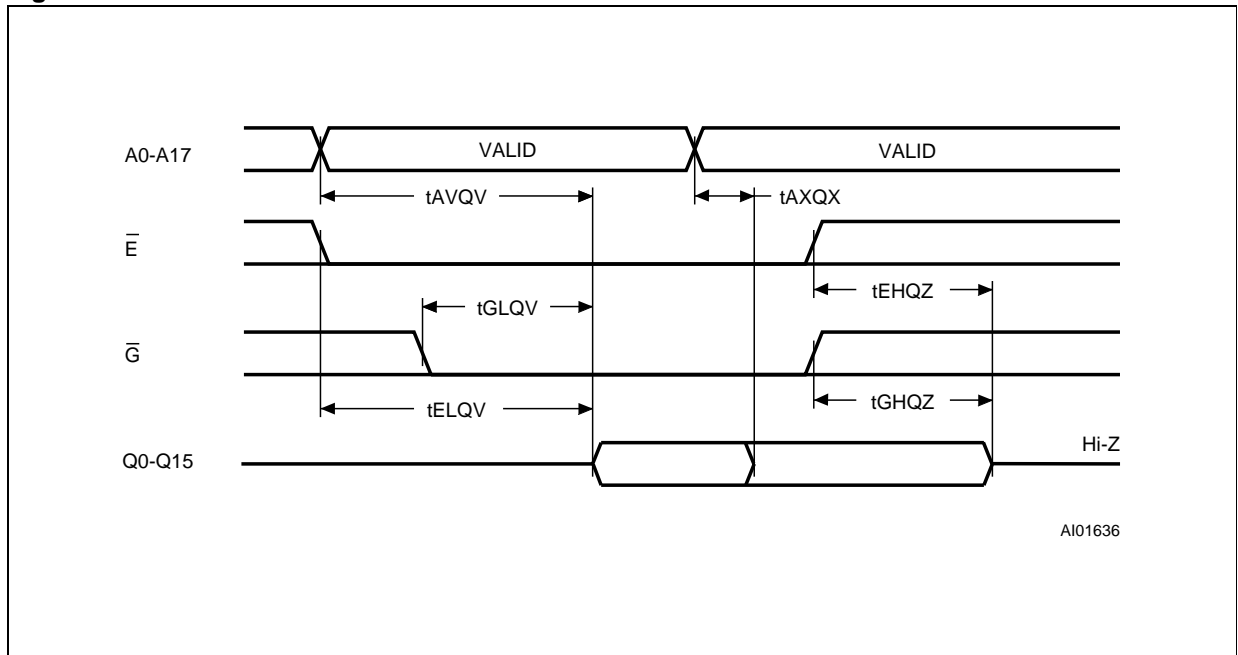
Symbol	Alt	Parameter	Test Condition	M27W400						Unit
				-100 ⁽³⁾				-120		
				V _{CC} = 3.0 to 3.6V		V _{CC} = 2.7 to 3.6V		V _{CC} = 2.7 to 3.6V		
				Min	Max	Min	Max	Min	Max	
t _{AVQV}	t _{ACC}	Address Valid to Output Valid	$\bar{E} = V_{IL}, \bar{G} = V_{IL}$		80		100		120	ns
t _{BHQV}	t _{ST}	BYTE High to Output Valid	$\bar{E} = V_{IL}, \bar{G} = V_{IL}$		80		100		120	ns
t _{ELQV}	t _{CE}	Chip Enable Low to Output Valid	$\bar{G} = V_{IL}$		80		100		120	ns
t _{GLQV}	t _{OE}	Output Enable Low to Output Valid	$\bar{E} = V_{IL}$		40		50		60	ns
t _{BLQZ} ⁽²⁾	t _{STD}	BYTE Low to Output Hi-Z	$\bar{E} = V_{IL}, \bar{G} = V_{IL}$		40		50		60	ns
t _{EHQZ} ⁽²⁾	t _{DF}	Chip Enable High to Output Hi-Z	$\bar{G} = V_{IL}$	0	40	0	50	0	60	ns
t _{GHQZ} ⁽²⁾	t _{DF}	Output Enable High to Output Hi-Z	$\bar{E} = V_{IL}$	0	40	0	50	0	60	ns
t _{AXQX}	t _{OH}	Address Transition to Output Transition	$\bar{E} = V_{IL}, \bar{G} = V_{IL}$	5		5		5		ns
t _{BLQX}	t _{OH}	BYTE Low to Output Transition	$\bar{E} = V_{IL}, \bar{G} = V_{IL}$	5		5		5		ns

Note: 1. V_{CC} must be applied simultaneously with or before V_{PP} and removed simultaneously or after V_{PP}

2. Sampled only, not 100% tested.

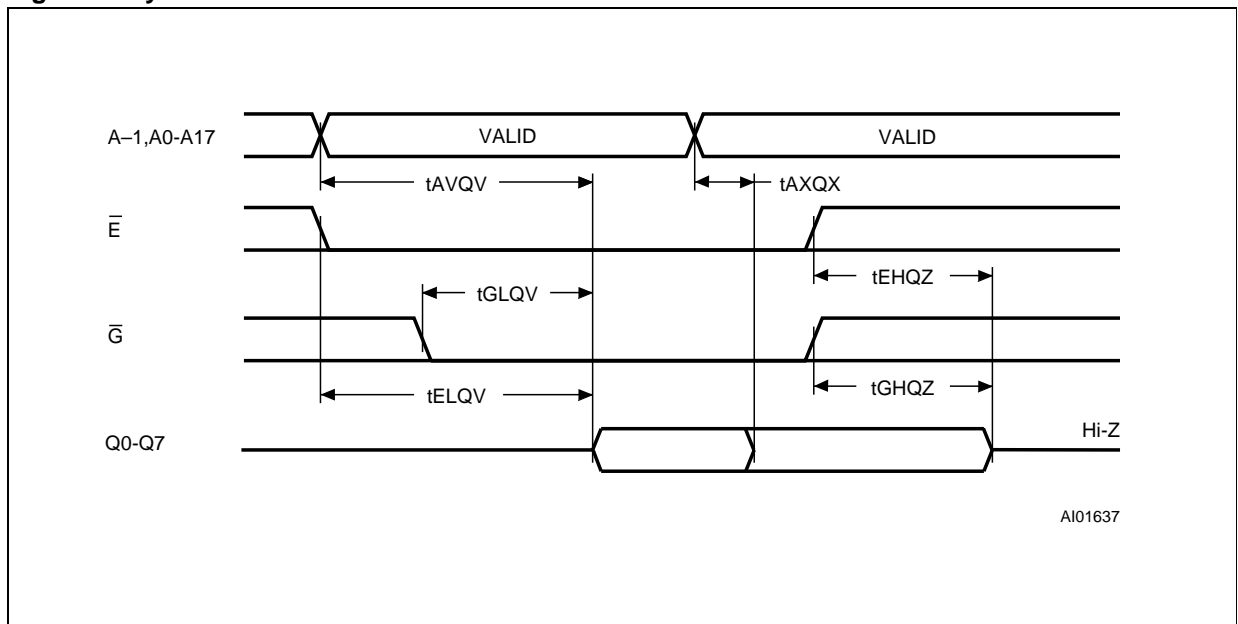
3. Speed obtained with High Speed measurement conditions.

Figure 5. Word-Wide Read Mode AC Waveforms



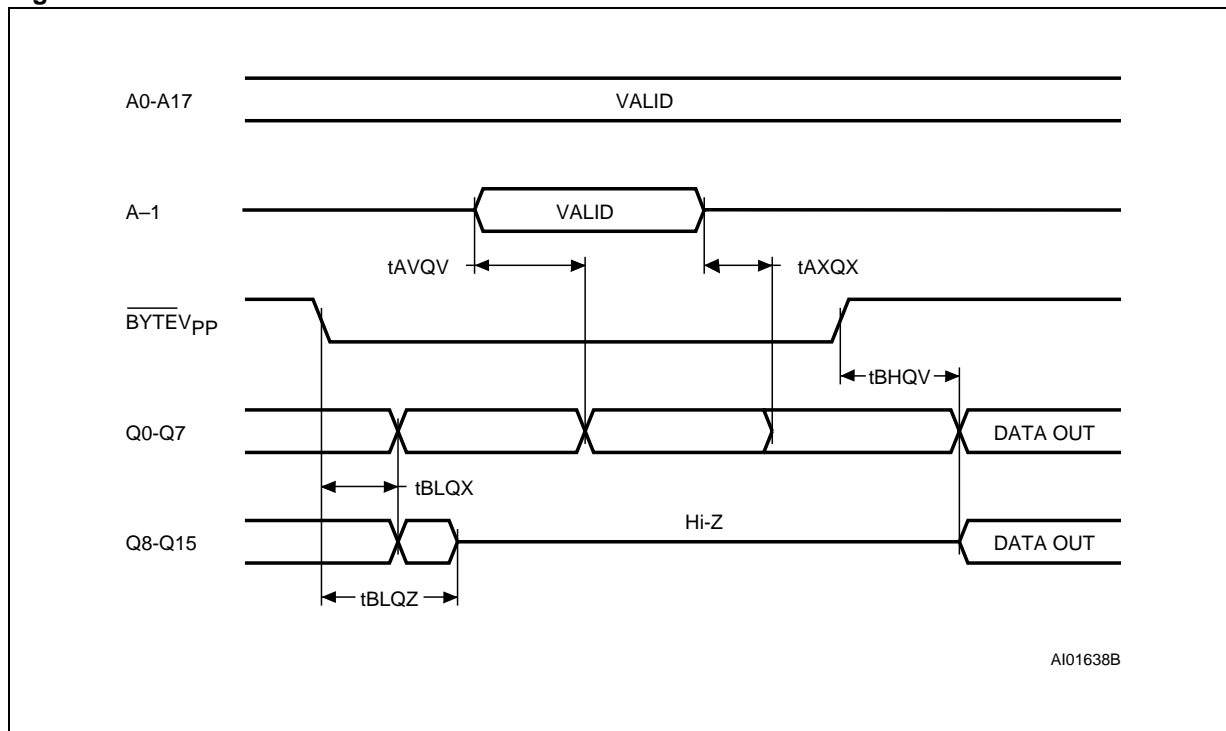
Note: $\text{BYTEV}_{\text{PP}} = V_{\text{IH}}$.

Figure 6. Byte-Wide Read Mode AC Waveforms



Note: $\text{BYTEV}_{\text{PP}} = V_{\text{IL}}$.

Figure 7. $\overline{\text{BYTE}}$ Transition AC Waveforms



Note: Chip Enable ($\overline{\text{E}}$) and Output Enable ($\overline{\text{G}}$) = V_{IL} .

Table 9. Programming Mode DC Characteristics ⁽¹⁾
 ($T_A = 25\text{ }^\circ\text{C}$; $V_{CC} = 6.25\text{V} \pm 0.25\text{V}$; $V_{PP} = 12.5\text{V} \pm 0.25\text{V}$)

Symbol	Parameter	Test Condition	Min	Max	Unit
I_{LI}	Input Leakage Current	$0 \leq V_{IN} \leq V_{CC}$		± 1	μA
I_{CC}	Supply Current			50	mA
I_{PP}	Program Current	$\overline{\text{E}} = V_{IL}$		50	mA
V_{IL}	Input Low Voltage		-0.3	0.8	V
V_{IH}	Input High Voltage		2.4	$V_{CC} + 0.5$	V
V_{OL}	Output Low Voltage	$I_{OL} = 2.1\text{mA}$		0.4	V
V_{OH}	Output High Voltage TTL	$I_{OH} = -2.5\text{mA}$	3.5		V
V_{ID}	A9 Voltage		11.5	12.5	V

Note: 1. V_{CC} must be applied simultaneously with or before V_{PP} and removed simultaneously or after V_{PP} .

Programming

When delivered (and after each erasure for UV EPROM), all bits of the M27W400 are in the '1' state. Data is introduced by selectively programming '0's into the desired bit locations. Although only '0's will be programmed, both '1's and '0's can be present in the data word. The only way to

change a '0' to a '1' is by die exposition to ultraviolet light (UV EPROM). The M27W400 is in the programming mode when V_{PP} input is at 12.5V, $\overline{\text{G}}$ is at V_{IH} and $\overline{\text{E}}$ is pulsed to V_{IL} . The data to be programmed is applied to 16 bits in parallel to the data output pins. The levels required for the address and data inputs are TTL. V_{CC} is specified to be $6.25\text{V} \pm 0.25\text{V}$.



Table 10. Programming Mode AC Characteristics (1)
 ($T_A = 25\text{ }^\circ\text{C}$; $V_{CC} = 6.25\text{V} \pm 0.25\text{V}$; $V_{PP} = 12.5\text{V} \pm 0.25\text{V}$)

Symbol	Alt	Parameter	Test Condition	Min	Max	Unit
t_{AVEL}	t_{AS}	Address Valid to Chip Enable Low		2		μs
t_{QVEL}	t_{DS}	Input Valid to Chip Enable Low		2		μs
t_{VPHAV}	t_{VPS}	V_{PP} High to Address Valid		2		μs
t_{VCHAV}	t_{VCS}	V_{CC} High to Address Valid		2		μs
t_{ELEH}	t_{PW}	Chip Enable Program Pulse Width		45	55	μs
t_{EHQX}	t_{DH}	Chip Enable High to Input Transition		2		μs
t_{QXGL}	t_{OES}	Input Transition to Output Enable Low		2		μs
t_{GLQV}	t_{OE}	Output Enable Low to Output Valid			120	ns
$t_{GHQZ}^{(2)}$	t_{DFP}	Output Enable High to Output Hi-Z		0	130	ns
t_{GHAX}	t_{AH}	Output Enable High to Address Transition		0		ns

Note: 1. V_{CC} must be applied simultaneously with or before V_{PP} and removed simultaneously or after V_{PP} .
 2. Sampled only, not 100% tested.

Figure 8. Programming and Verify Modes AC Waveforms

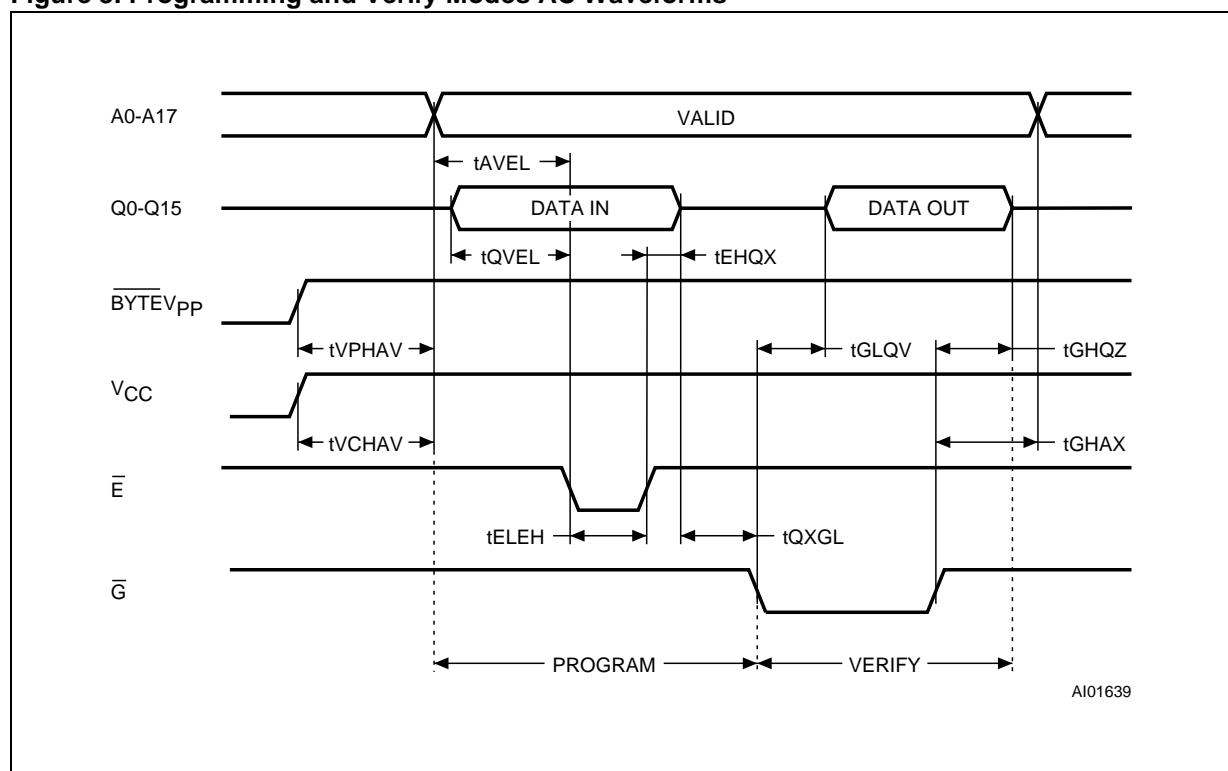
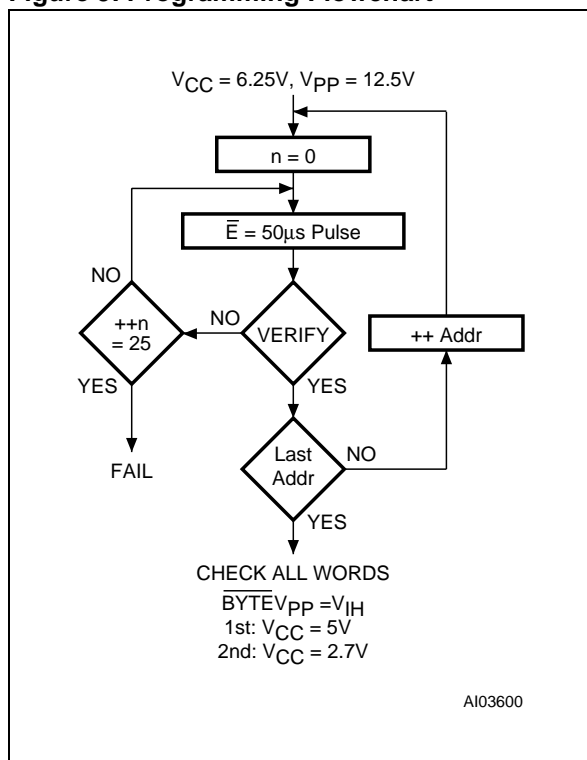


Figure 9. Programming Flowchart



PRESTO III Programming Algorithm

The PRESTO III Programming Algorithm allows the whole array to be programmed with a guaranteed margin in a typical time of 26 seconds. Programming with PRESTO III consists of applying a sequence of 50µs program pulses to each word until a correct verify occurs (see Figure 9). During programming and verify operation a MARGIN MODE circuit is automatically activated to guarantee that each cell is programmed with enough margin. No overpromise pulse is applied since the verify in MARGIN MODE provides the necessary margin to each programmed cell.

Program Inhibit

Programming of multiple M27W400s in parallel with different data is also easily accomplished. Except for \bar{E} , all like inputs including \bar{G} of the parallel M27W400 may be common. A TTL low level pulse applied to a M27W400's \bar{E} input and V_{PP} at 12.5V, will program that M27W400. A high level \bar{E} input inhibits the other M27W400s from being programmed.

Program Verify

A verify (read) should be performed on the programmed bits to determine that they were correctly programmed. The verify is accomplished with \bar{E} at V_{IH} and \bar{G} at V_{IL} , V_{PP} at 12.5V and V_{CC} at 6.25V.

On-Board Programming

The M27W400 can be directly programmed in the application circuit. See the relevant Application Note AN620.

Electronic Signature

The Electronic Signature (ES) mode allows the reading out of a binary code from an EPROM that will identify its manufacturer and type. This mode is intended for use by programming equipment to automatically match the device to be programmed with its corresponding programming algorithm. The ES mode is functional in the $25^{\circ}\text{C} \pm 5^{\circ}\text{C}$ ambient temperature range that is required when programming the M27W400. To activate the ES mode, the programming equipment must force 11.5V to 12.5V on address line A9 of the M27W400, with $V_{PP} = V_{CC} = 5\text{V}$. Two identifier bytes may then be sequenced from the device outputs by toggling address line A0 from V_{IL} to V_{IH} . All other address lines must be held at V_{IL} during Electronic Signature mode.

Byte 0 ($A0 = V_{IL}$) represents the manufacturer code and byte 1 ($A0 = V_{IH}$) the device identifier code. For the STMicroelectronics M27W400, these two identifier bytes are given in Table 4 and can be read-out on outputs Q7 to Q0.

ERASURE OPERATION (applies to UV EPROM)

The erasure characteristics of the M27W400 is such that erasure begins when the cells are exposed to light with wavelengths shorter than approximately 4000 Å. It should be noted that sunlight and some type of fluorescent lamps have wavelengths in the 3000-4000 Å range. Research shows that constant exposure to room level fluorescent lighting could erase a typical M27W400 in about 3 years, while it would take approximately 1 week to cause erasure when exposed to direct sunlight. If the M27W400 is to be exposed to these types of lighting conditions for extended periods of time, it is suggested that opaque labels be put over the M27W400 window to prevent unintentional erasure. The recommended erasure procedure for M27W400 is exposure to short wave ultraviolet light which has a wavelength of 2537 Å. The integrated dose (i.e. UV intensity x exposure time) for erasure should be a minimum of 30 W-sec/cm². The erasure time with this dosage is approximately 30 to 40 minutes using an ultraviolet lamp with 12000 µW/cm² power rating. The M27W400 should be placed within 2.5cm (1 inch) of the lamp tubes during the erasure. Some lamps have a filter on their tubes which should be removed before erasure.

Table 11. Ordering Information Scheme

Example:	M27W400	-100	X	F	6	TR
Device Type	M27					
Supply Voltage	W = 2.7 to 3.6V					
Device Function	400 = 4 Mbit (512Kb x8 or 256Kb x16)					
Speed	-100 ^(1,2) = 100 ns -120 = 120ns					
V_{CC} Tolerance	blank = ± 10% X = ± 5%					
Package	F = FDIP40W ⁽³⁾ B = PDIP40 K = PLCC44					
Temperature Range	6 = -40 to 85 °C					
Options	TR = Tape & Reel Packing					

Note: 1. High Speed, see AC Characteristics section for further information.
 2. This speed also guarantees 80ns access time at V_{CC} = 3.0 to 3.6V.
 3. For Ceramic Package please contact our Sales Office.

For a list of available options (Speed, Package, etc...) or for further information on any aspect of this device, please contact the STMicroelectronics Sales Office nearest to you.

Table 1. Revision History

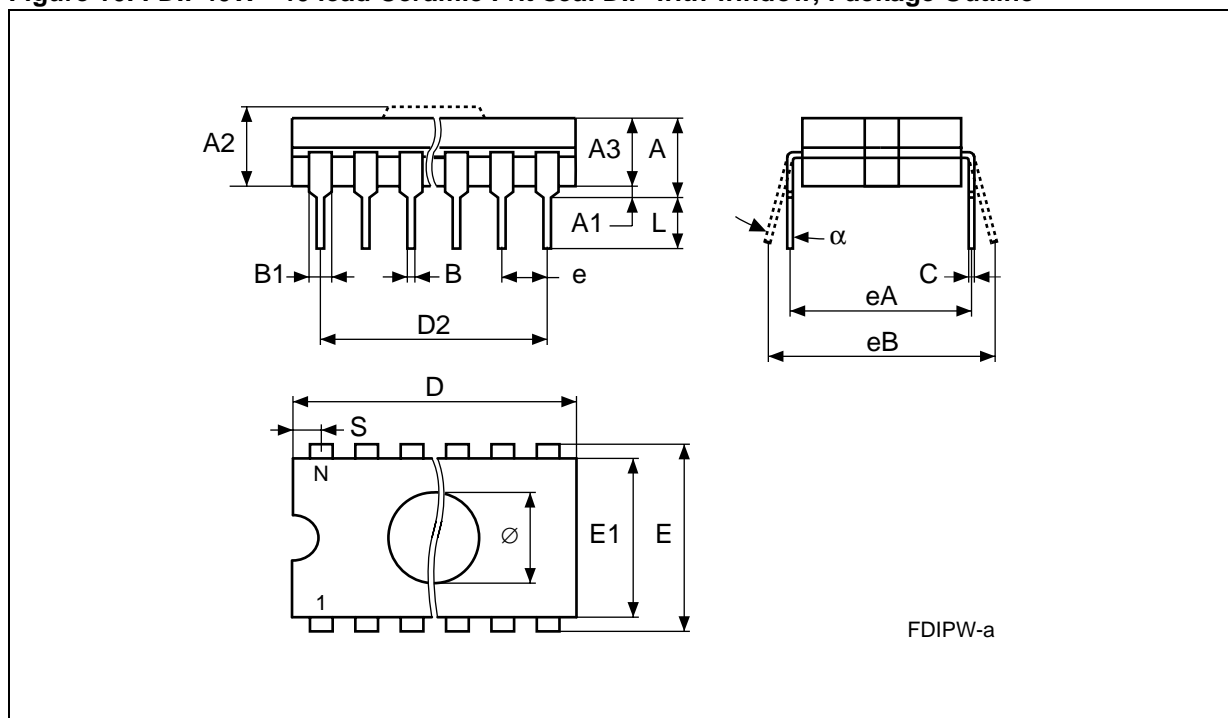
Date	Revision Details
November 1999	First Issue
01/19/00	From TARGET SPECIFICATION to DATA SHEET 120ns speed class added Temperature Range 1 removed Note 3 added (Table 11)

M27W400

Table 12. FDIP40W - 40 lead Ceramic Frit-seal DIP with window, Package Mechanical Data

Symb	mm			inches		
	Typ	Min	Max	Typ	Min	Max
A			5.72			0.225
A1		0.51	1.40		0.020	0.055
A2		3.91	4.57		0.154	0.180
A3		3.89	4.50		0.153	0.177
B		0.41	0.56		0.016	0.022
B1	1.45	–	–	0.057	–	–
C		0.23	0.30		0.009	0.012
D		51.79	52.60		2.039	2.071
D2	48.26	–	–	1.900	–	–
E	15.24	–	–	0.600	–	–
E1		13.06	13.36		0.514	0.526
e	2.54	–	–	0.100	–	–
ea.	14.99	–	–	0.590	–	–
be		16.18	18.03		0.637	0.710
L		3.18	–		0.125	–
S		1.52	2.49		0.060	0.098
∅	8.13	–	–	0.320	–	–
α		4°	11°		4°	11°
N		40			40	

Figure 10. FDIP40W - 40 lead Ceramic Frit-seal DIP with window, Package Outline

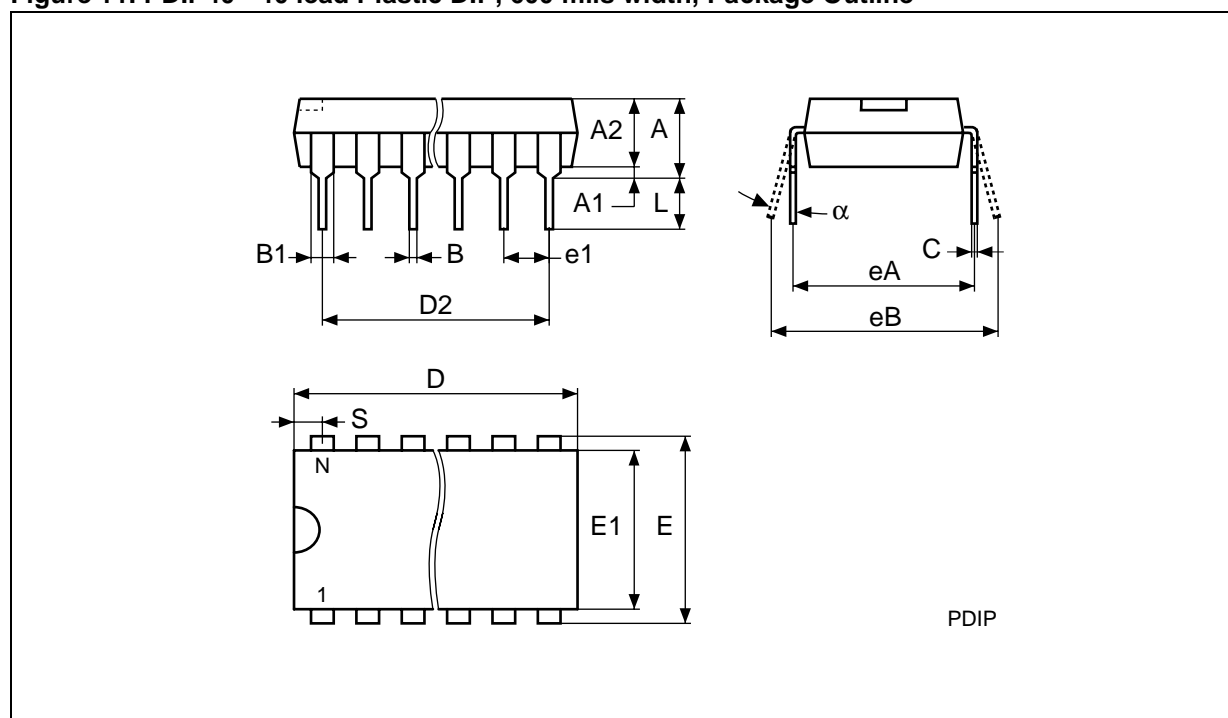


Drawing is not to scale.

Table 13. PDIP40 - 40 pin Plastic DIP, 600 mils width, Package Mechanical Data

Symb	mm			inches		
	Typ	Min	Max	Typ	Min	Max
A	4.45	–	–	0.175	–	–
A1	0.64	0.38	–	0.025	0.015	–
A2		3.56	3.91		0.140	0.154
B		0.38	0.53		0.015	0.021
B1		1.14	1.78		0.045	0.070
C		0.20	0.31		0.008	0.012
D		51.78	52.58		2.039	2.070
D2	48.26	–	–	1.900	–	–
E		14.80	16.26		0.583	0.640
E1		13.46	13.99		0.530	0.551
e1	2.54	–	–	0.100	–	–
ea.	15.24	–	–	0.600	–	–
be		15.24	17.78		0.600	0.700
L		3.05	3.81		0.120	0.150
S		1.52	2.29		0.060	0.090
α		0°	15°		0°	15°
N		40			40	

Figure 11. PDIP40 - 40 lead Plastic DIP, 600 mils width, Package Outline

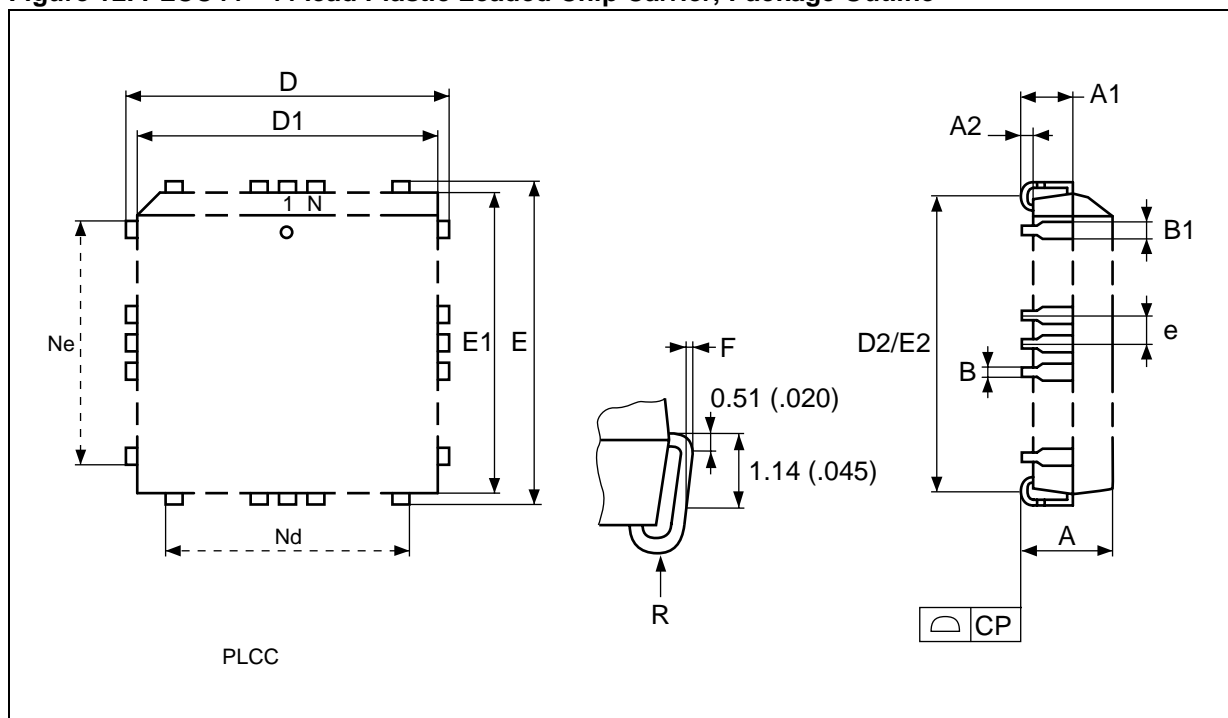


Drawing is not to scale.

Table 14. PLCC44 - 44 lead Plastic Leaded Chip Carrier, Package Mechanical Data

Symb	mm			inches		
	Typ	Min	Max	Typ	Min	Max
A		4.20	4.70		0.165	0.185
A1		2.29	3.04		0.090	0.120
A2		–	0.51		–	0.020
B		0.33	0.53		0.013	0.021
B1		0.66	0.81		0.026	0.032
D		17.40	17.65		0.685	0.695
D1		16.51	16.66		0.650	0.656
D2		14.99	16.00		0.590	0.630
E		17.40	17.65		0.685	0.695
E1		16.51	16.66		0.650	0.656
E2		14.99	16.00		0.590	0.630
e	1.27	–	–	0.050	–	–
F		0.00	0.25		0.000	0.010
R	0.89	–	–	0.035	–	–
N		44			44	
CP			0.10			0.004

Figure 12. PLCC44 - 44 lead Plastic Leaded Chip Carrier, Package Outline



Drawing is not to scale.

Information furnished is believed to be accurate and reliable. However, STMicroelectronics assumes no responsibility for the consequences of use of such information nor for any infringement of patents or other rights of third parties which may result from its use. No license is granted by implication or otherwise under any patent or patent rights of STMicroelectronics. Specifications mentioned in this publication are subject to change without notice. This publication supersedes and replaces all information previously supplied. STMicroelectronics products are not authorized for use as critical components in life support devices or systems without express written approval of STMicroelectronics.

The ST logo is registered trademark of STMicroelectronics
© 2000 STMicroelectronics - All Rights Reserved

All other names are the property of their respective owners.

STMicroelectronics GROUP OF COMPANIES
Australia - Brazil - China - Finland - France - Germany - Hong Kong - India - Italy - Japan - Malaysia - Malta -
Morocco - Singapore - Spain - Sweden - Switzerland - United Kingdom - U.S.A.

<http://www.st.com>