



M36W0R6040T0 M36W0R6040B0

64 Mbit (4Mb x16, Multiple Bank, Burst) Flash Memory and 16 Mbit (1Mb x16) PSRAM, Multi-Chip Package

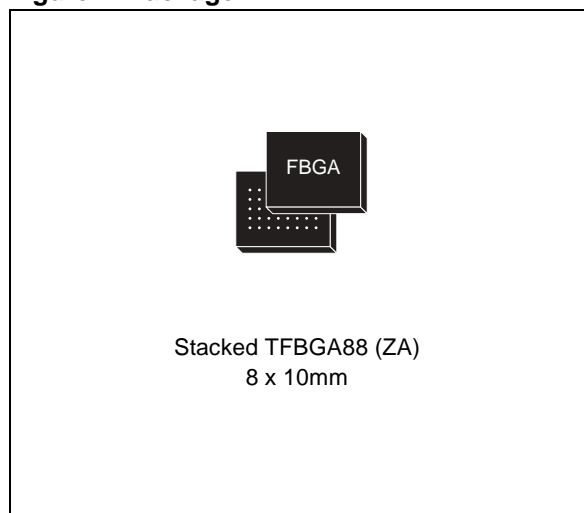
FEATURES SUMMARY

- MULTI-CHIP PACKAGE
 - 1 die of 64 Mbit (4Mb x 16) Flash Memory
 - 1 die of 16 Mbit (1Mb x 16) Pseudo SRAM
- SUPPLY VOLTAGE
 - $V_{DDF} = V_{DDP} = V_{DDQ} = 1.7V$ to 1.95V
- LOW POWER CONSUMPTION
- ELECTRONIC SIGNATURE
 - Manufacturer Code: 20h
 - Device Code (Top Flash Configuration), M36W0R6040T0: 8810h
 - Device Code (Bottom Flash Configuration), M36W0R6040B0: 8811h
- PACKAGES
 - Compliant with Lead-Free Soldering Processes
 - Lead-Free Versions

FLASH MEMORY

- PROGRAMMING TIME
 - 8 μ s by Word typical for Fast Factory Program
 - Double/Quadruple Word Program option
 - Enhanced Factory Program options
- MEMORY BLOCKS
 - Multiple Bank Memory Array: 4 Mbit Banks
 - Parameter Blocks (Top location)
- SYNCHRONOUS / ASYNCHRONOUS READ
 - Synchronous Burst Read mode: 66MHz
 - Asynchronous/ Synchronous Page Read mode
 - Random Access: 70ns
- DUAL OPERATIONS
 - Program Erase in one Bank while Read in others
 - No delay between Read and Write operations

Figure 1. Package



- BLOCK LOCKING
 - All blocks locked at Power-up
 - Any combination of blocks can be locked
 - \overline{WP}_F for Block Lock-Down
- SECURITY
 - 128-bit user programmable OTP cells
 - 64-bit unique device number
- COMMON FLASH INTERFACE (CFI)
- 100,000 PROGRAM/ERASE CYCLES per BLOCK

PSRAM

- ACCESS TIME: 70ns
- LOW STANDBY CURRENT: 110 μ A
- DEEP POWER DOWN CURRENT: 10 μ A

TABLE OF CONTENTS

FEATURES SUMMARY	1
FLASH MEMORY	1
Figure 1. Package	1
PSRAM	1
SUMMARY DESCRIPTION	4
Figure 2. Logic Diagram	4
Table 1. Signal Names	4
Figure 3. TFBGA Connections (Top view through package)	5
SIGNAL DESCRIPTIONS	6
Address Inputs (A0-A19)	6
Address Inputs (A20-A21)	6
Data Input/Output (DQ0-DQ15)	6
Flash Chip Enable (\overline{E}_F)	6
Flash Output Enable (\overline{G}_F)	6
Flash Write Enable (\overline{W}_F)	6
Flash Write Protect (\overline{WP}_F)	6
Flash Reset (\overline{RP}_F)	6
Flash Latch Enable (\overline{L}_F)	6
Flash Clock (K_F)	6
Flash Wait ($WAIT_F$)	6
PSRAM Chip Enable ($\overline{E1}_P$)	6
PSRAM Chip Enable ($\overline{E2}_P$)	6
PSRAM Output Enable (\overline{G}_P)	7
PSRAM Write Enable (\overline{W}_P)	7
PSRAM Upper Byte Enable (\overline{UB}_P)	7
PSRAM Lower Byte Enable (\overline{LB}_P)	7
V _{DDF} Supply Voltage	7
V _{DDP} Supply Voltage	7
V _{DDQ} Supply Voltage	7
V _{PPF} Program Supply Voltage	7
V _{SS} Ground	7
FUNCTIONAL DESCRIPTION	8
Figure 4. Functional Block Diagram	8
Table 2. Main Operating Modes	9
FLASH MEMORY DEVICE	10
PSRAM DEVICE	10
MAXIMUM RATING	11
Table 3. Absolute Maximum Ratings	11

DC AND AC PARAMETERS	12
Table 4. Operating and AC Measurement Conditions	12
Figure 5. AC Measurement I/O Waveform	12
Figure 6. AC Measurement Load Circuit	12
Table 5. Device Capacitance	12
Table 6. Flash Memory DC Characteristics - Currents	13
Table 7. Flash Memory DC Characteristics - Voltages	14
Table 8. PSRAM DC Characteristics	14
PACKAGE MECHANICAL	15
Figure 7. Stacked TFBGA88 8x10mm - 8x10 active ball array, 0.8mm pitch, Package Outline ..	15
Table 9. Stacked TFBGA88 8x10mm - 8x10 ball array, 0.8mm pitch, Package Mechanical Data	15
PART NUMBERING	16
Table 10. Ordering Information Scheme	16
REVISION HISTORY	17
Table 11. Document Revision History	17

SUMMARY DESCRIPTION

The M36W0R6040T0 and M36W0R6040B0 are Multiple Memory Products which combine two memory devices; a 64-Mbit, Multiple Bank Flash memories, the M58WR064FT/B, and a 16-Mbit Pseudo SRAM, the M69AR024B. Recommended operating conditions do not allow more than one memory to be active at the same time.

The memory is offered in a Stacked TFBGA88 (8x10mm, 8x10 ball array, 0.8mm pitch) package. In addition to the standard version, the packages are also available in Lead-free version, in compliance with JEDEC Std J-STD-020B, the ST ECO-PACK 7191395 Specification, and the RoHS (Restriction of Hazardous Substances) directive.

All packages are compliant with Lead-free soldering processes.

The memory is supplied with all the bits erased (set to '1').

Figure 2. Logic Diagram

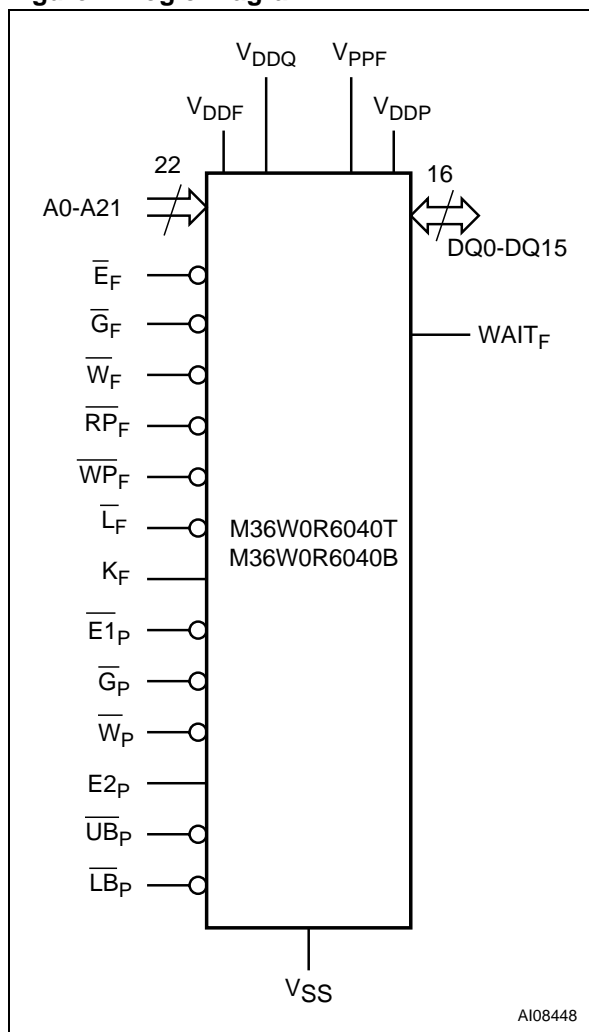
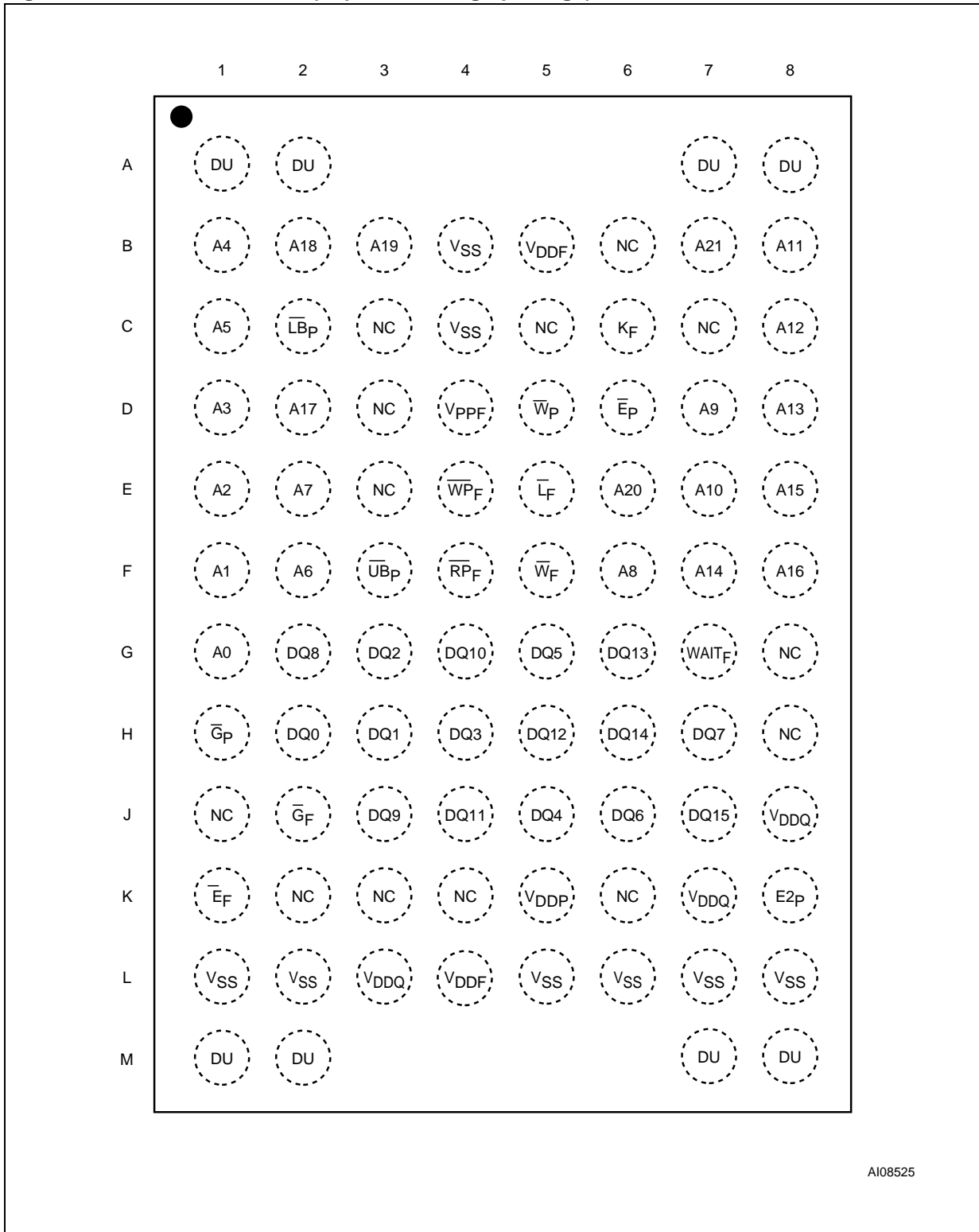


Table 1. Signal Names

A0-A19	Common Address Inputs
DQ0-DQ15	Common Data Input/Output
VDDF	Flash Memory Power Supply
VDDQ	Common Flash and PSRAM Power Supply for I/O Buffers
VPPF	Common Flash Optional Supply Voltage for Fast Program & Erase
VSS	Ground
VDDP	PSRAM Power Supply
NC	Not Connected Internally
DU	Do Not Use as Internally Connected
Flash Memory Control Functions	
A21-A20	Address Inputs for the Flash memory only
LF	Latch Enable input
\overline{E}_F	Chip Enable input
\overline{G}_F	Output Enable input
\overline{W}_F	Write Enable input
$\overline{R}P_F$	Reset input
$\overline{W}P_F$	Write Protect input
K _F	Burst Clock
WAIT _F	Wait Data in Burst Mode
PSRAM control functions	
$\overline{E}1_P$	Chip Enable input
\overline{G}_P	Output Enable input
\overline{W}_P	Write Enable input
E2 _P	Power-down input
$\overline{U}B_P$	Upper Byte Enable input
$\overline{L}B_P$	Lower Byte Enable input

Figure 3. TFBGA Connections (Top view through package)



AI08525

SIGNAL DESCRIPTIONS

See [Figure 2., Logic Diagram](#) and [Table 1., Signal Names](#), for a brief overview of the signals connected to this device.

Address Inputs (A0-A19). Addresses A0-A19 are common inputs for the Flash Memory and PSRAM components. The Address Inputs select the cells in the memory array to access during Bus Read operations. During Bus Write operations they control the commands sent to the Command Interface of the Flash memory Program/Erase Controller, and they select the cells to access in the PSRAM.

The Flash memory is accessed through the Chip Enable signal (\overline{E}_F) and through the Write Enable (W_F) signal, while the PSRAM is accessed through two Chip Enable signals (E_{1P} and E_{2P}) and the Write Enable signal (W_P).

Address Inputs (A20-A21). Addresses A20-A21 are inputs for the Flash memory component only. The Flash memory is accessed through the Chip Enable signals (\overline{E}_F) and through the Write Enable (W_F) signal.

Data Input/Output (DQ0-DQ15). For the Flash memory, the Data I/O outputs the data stored at the selected address during a Bus Read operation or inputs a command or the data to be programmed during a Write Bus operation.

For the PSRAM, the Upper Byte Data Inputs/Outputs carry the data to or from the upper part of the selected address during a Write or Read operation, when Upper Byte Enable (UB_P) is driven Low.

Likewise, the Lower Byte Data Inputs/Outputs carry the data to or from the lower part of the selected address during a Write or Read operation, when Lower Byte Enable (\overline{LB}_P) is driven Low.

Flash Chip Enable (E_F). The Chip Enable inputs activate the memory control logics, input buffers, decoders and sense amplifiers. When Chip Enable is Low, V_{IL} , and Reset is High, V_{IH} , the device is in active mode. When Chip Enable is at V_{IH} the Flash memory is deselected, the outputs are high impedance and the power consumption is reduced to the standby level.

Flash Output Enable (\overline{G}_F). The Output Enable pins control data outputs during Flash memory Bus Read operations.

Flash Write Enable (\overline{W}_F). The Write Enable controls the Bus Write operation of the Flash memories' Command Interface. The data and address inputs are latched on the rising edge of Chip Enable or Write Enable whichever occurs first.

Flash Write Protect (WP_F). Write Protect is an input that gives an additional hardware protection for each block. When Write Protect is Low, V_{IL} , Lock-Down is enabled and the protection status of

the Locked-Down blocks cannot be changed. When Write Protect is at High, V_{IH} , Lock-Down is disabled and the Locked-Down blocks can be locked or unlocked. (Refer to Lock Status Table in M58WR064F(T/B) datasheet).

Flash Reset (RP_F). The Reset input provides a hardware reset of the memory. When Reset is at V_{IL} , the memory is in Reset mode: the outputs are high impedance and the current consumption is reduced to the Reset Supply Current I_{DD2} . Refer to [Table 6., Flash Memory DC Characteristics - Currents](#), for the value of I_{DD2} . After Reset all blocks are in the Locked state and the Configuration Register is reset. When Reset is at V_{IH} , the device is in normal operation. Exiting Reset mode the device enters Asynchronous Read mode, but a negative transition of Chip Enable or Latch Enable is required to ensure valid data outputs.

The Reset pin can be interfaced with 3V logic without any additional circuitry. It can be tied to V_{RPH} (refer to [Table 7., Flash Memory DC Characteristics - Voltages](#)).

Flash Latch Enable (\overline{L}_F). Latch Enable latches the address bits on its rising edge. The address latch is transparent when Latch Enable is Low, V_{IL} , and it is inhibited when Latch Enable is High, V_{IH} . Latch Enable can be kept Low (also at board level) when the Latch Enable function is not required or supported.

Flash Clock (K_F). The Clock input synchronizes the Flash memory to the microcontroller during synchronous read operations; the address is latched on a Clock edge (rising or falling, according to the configuration settings) when Latch Enable is at V_{IL} . Clock is don't care during Asynchronous Read and in write operations.

Flash Wait ($WAIT_F$). WAIT is a Flash output signal used during Synchronous Read to indicate whether the data on the output bus are valid. This output is high impedance when Flash Chip Enable is at V_{IH} or Flash Reset is at V_{IL} . It can be configured to be active during the wait cycle or one clock cycle in advance. The $WAIT_F$ signal is not gated by Output Enable.

PSRAM Chip Enable (\overline{E}_{1P}). When asserted (Low), the Chip Enable, E_{1P} , activates the memory state machine, address buffers and decoders, allowing Read and Write operations to be performed. When de-asserted (High), all other pins are ignored, and the device is put, automatically, in low-power Standby mode.

PSRAM Chip Enable (E_{2P}). The Chip Enable, E_{2P} , puts the device in Deep Power-down mode when it is driven Low. This is the lowest power mode.

PSRAM Output Enable ($\overline{G_P}$). The Output Enable, G_P , provides a high speed tri-state control, allowing fast read/write cycles to be achieved with the common I/O data bus.

PSRAM Write Enable (W_P). The Write Enable, W_P , controls the Bus Write operation of the memory.

PSRAM Upper Byte Enable ($\overline{UB_P}$). The Upper Byte Enable, UB_P , gates the data on the Upper Byte Data Inputs/Outputs (DQ8-DQ15) to or from the upper part of the selected address during a Write or Read operation.

PSRAM Lower Byte Enable ($\overline{LB_P}$). The Lower Byte Enable, LB_P , gates the data on the Lower Byte Data Inputs/Outputs (DQ0-DQ7) to or from the lower part of the selected address during a Write or Read operation.

V_{DDF} Supply Voltage. V_{DDF} provides the power supply to the internal core of the Flash memory component. It is the main power supplies for all Flash memory operations (Read, Program and Erase).

V_{DDP} Supply Voltage. The V_{DDP} Supply Voltage supplies the power for all operations (Read or Write) and for driving the refresh logic, even when the device is not being accessed.

V_{DDQ} Supply Voltage. V_{DDQ} provides the power supply for the Flash Memory and PSRAM I/O pins. This allows all Outputs to be powered independently of the Flash Memory and PSRAM core power supplies: V_{DDF} and V_{DDP} , respectively.

V_{PPF} Program Supply Voltage. V_{PPF} is both a Flash Memory control input and a Flash Memory power supply pin. The two functions are selected by the voltage range applied to the pin.

If V_{PPF} is kept in a low voltage range (0V to V_{DDQ}) V_{PPF} is seen as a control input. In this case a voltage lower than V_{PPLKF} gives an absolute protection against Program or Erase, while $V_{PPF} > V_{PP1F}$ enables these functions (see Tables 6 and 7, DC Characteristics for the relevant values). V_{PPF} is only sampled at the beginning of a Program or Erase; a change in its value after the operation has started does not have any effect and Program or Erase operations continue.

If V_{PPF} is in the range of V_{PPHF} it acts as a power supply pin. In this condition V_{PPF} must be stable until the Program/Erase algorithm is completed.

V_{SS} Ground. V_{SS} is the common ground reference for all voltage measurements in the Flash (core and I/O Buffers) and PSRAM chips.

Note: Each Flash memory device in a system should have its supply voltage (V_{DDF}) and the program supply voltage V_{PPF} decoupled with a 0.1 μ F ceramic capacitor close to the pin (high frequency, inherently low inductance capacitors should be as close as possible to the package). See Figure 6., AC Measurement Load Circuit. The PCB track widths should be sufficient to carry the required V_{PPF} program and erase currents.

FUNCTIONAL DESCRIPTION

The Flash Memory and PSRAM components have separate power supplies but share the same grounds. They are distinguished by three Chip Enable inputs: \overline{E}_F for the Flash memory and $E1_P$ and $E2_P$ for the PSRAM.

Recommended operating conditions do not allow more than one device to be active at a time. The

most common example is simultaneous read operations on the Flash memory and the PSRAM which would result in a data bus contention. Therefore it is recommended to put the other devices in the high impedance state when reading the selected device.

Figure 4. Functional Block Diagram

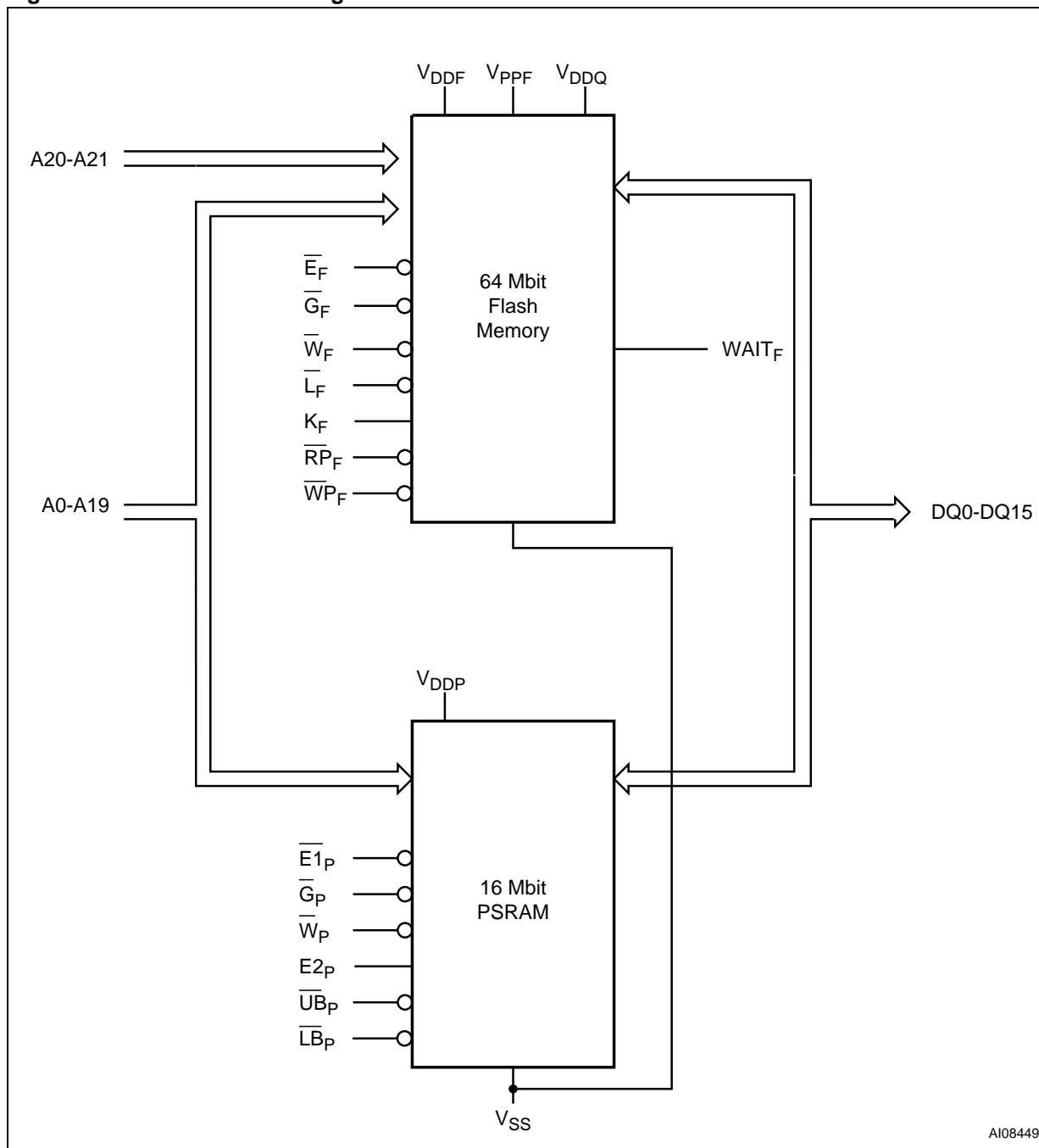


Table 2. Main Operating Modes

Operation	\overline{E}_F	\overline{G}_P	\overline{W}_P	\overline{L}_F	\overline{R}_P	$WAIT_F^{(4)}$	$\overline{E1}_P$	$\overline{E2}_P$	\overline{G}_P	\overline{W}_P	\overline{UB}_P	\overline{LB}_P	DQ15-DQ0
Flash Read	V_{IL}	V_{IL}	V_{IH}	$V_{IL(2)}$	V_{IH}		PSRAM must be disabled						Flash Data Out
Flash Write	V_{IL}	V_{IH}	V_{IL}	$V_{IL(2)}$	V_{IH}								Flash Data In
Flash Address Latch	V_{IL}	X	V_{IH}	V_{IL}	V_{IH}								Flash Data Out or Hi-Z ⁽³⁾
Flash Output Disable	V_{IL}	V_{IH}	V_{IH}	X	V_{IH}		Any PSRAM mode is allowed						Flash Hi-Z
Flash Standby	V_{IH}	X	X	X	V_{IH}	Hi-Z							Flash Hi-Z
Flash Reset	X	X	X	X	V_{IL}	Hi-Z							Flash Hi-Z
PSRAM Read	Flash Memory must be disabled						V_{IL}	V_{IH}	V_{IL}	V_{IH}	V_{IL}	V_{IL}	PSRAM data out
PSRAM Write	Flash Memory must be disabled						V_{IL}	V_{IH}	V_{IH}	V_{IL}	V_{IL}	V_{IL}	PSRAM data in
Output Disable	Any Flash mode is allowed.						V_{IL}	V_{IH}	V_{IH}	V_{IH}	X	X	PSRAM Hi-Z
PSRAM Standby							V_{IH}	V_{IH}	X	X	X	X	PSRAM Hi-Z
PSRAM Deep Power-Down							X	V_{IL}	X	X	X	X	PSRAM Hi-Z

Note: 1. X = Don't care.

2. \overline{L}_F can be tied to V_{IH} if the valid address has been previously latched.

3. Depends on \overline{G}_F .

4. WAIT signal polarity is configured using the Set Configuration Register command. Refer to M58WR064F(T/B) datasheet for details.

M36W0R6040T0, M36W0R6040B0

FLASH MEMORY DEVICE

The M36W0R6040T0 and M36W0R6040B0 contain a 64Mbit Flash memory. For detailed information on how to use it, see the M58WR064F(T/B)

datasheet which is available from your local STMicroelectronics distributor.

PSRAM DEVICE

The M36W0R6040T0 and M36W0R6040B0 contain a 16Mbit PSRAM. For detailed information on how to use it, see the M69AR024B datasheet

which is available from your local STMicroelectronics distributor.

MAXIMUM RATING

Stressing the device above the rating listed in the Absolute Maximum Ratings table may cause permanent damage to the device. These are stress ratings only and operation of the device at these or any other conditions above those indicated in the Operating sections of this specification is not im-

plied. Exposure to Absolute Maximum Rating conditions for extended periods may affect device reliability. Refer also to the STMicroelectronics SURE Program and other relevant quality documents.

Table 3. Absolute Maximum Ratings

Symbol	Parameter	Value		Unit
		Min	Max	
T _A	Ambient Operating Temperature	-30	85	°C
T _{BIAS}	Temperature Under Bias	-40	125	°C
T _{STG}	Storage Temperature	-65	155	°C
T _{LEAD}	Lead Temperature during Soldering		(1)	°C
V _{IO}	Input or Output Voltage	-0.5	V _{DDQ} +0.6	V
V _{DDF}	Flash Memory Core Supply Voltage	-0.2	2.45	V
V _{DDQ}	Input/Output Supply Voltage	-0.2	2.45	V
V _{DDP}	PSRAM Supply Voltage	-0.2	3.3	V
V _{PPF}	Flash Memory Program Voltage	-0.2	14	V
I _O	Output Short Circuit Current		100	mA
t _{VPPFH}	Time for V _{PPF} at V _{PPFH}		100	hours

Note: 1. Compliant with the JEDEC Std J-STD-020B (for small body, Sn-Pb or Pb assembly), the ST ECOPACK® 7191395 specification, and the European directive on Restrictions on Hazardous Substances (RoHS) 2002/95/EU.

DC AND AC PARAMETERS

This section summarizes the operating measurement conditions, and the DC and AC characteristics of the device. The parameters in the DC and AC characteristics Tables that follow, are derived from tests performed under the Measurement

Conditions summarized in [Table 4., Operating and AC Measurement Conditions](#). Designers should check that the operating conditions in their circuit match the operating conditions when relying on the quoted parameters.

Table 4. Operating and AC Measurement Conditions

Parameter	Flash Memory		PSRAM		Unit
	Min	Max	Min	Max	
V _{DDF} Supply Voltage	1.7	1.95	–	–	V
V _{DDP} Supply Voltage	–	–	1.7	1.95	V
V _{DDQ} Supply Voltage	1.7	1.95	–	–	V
V _{PPF} Supply Voltage (Factory environment)	11.4	12.6	–	–	V
V _{PPF} Supply Voltage (Application environment)	–0.4	V _{DDQ} +0.4	–	–	V
Ambient Operating Temperature	–40	85	–30	85	°C
Load Capacitance (C _L)	30		50		pF
Input Rise and Fall Times		5			ns
Input Pulse Voltages	0 to V _{DDQ}		0 to V _{DDP}		V
Input and Output Timing Ref. Voltages	V _{DDQ} /2		V _{DDP} /2		V

Figure 5. AC Measurement I/O Waveform

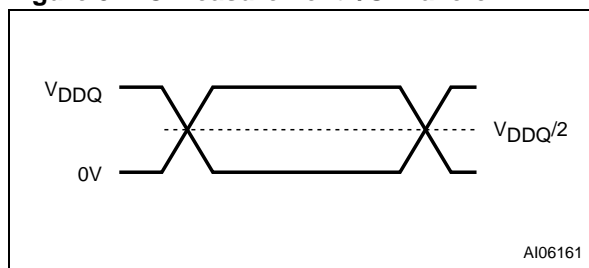


Figure 6. AC Measurement Load Circuit

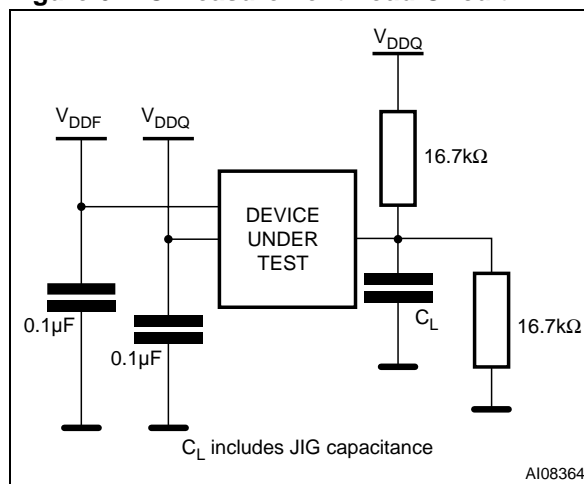


Table 5. Device Capacitance

Symbol	Parameter	Test Condition	Min	Max	Unit
C _{IN}	Input Capacitance	V _{IN} = 0V		12	pF
C _{OUT}	Output Capacitance	V _{OUT} = 0V		15	pF

Note: Sampled only, not 100% tested.

Table 6. Flash Memory DC Characteristics - Currents

Symbol	Parameter	Test Condition	Min	Typ	Max	Unit
I_{LI}	Input Leakage Current	$0V \leq V_{IN} \leq V_{DDQ}$			± 1	μA
I_{LO}	Output Leakage Current	$0V \leq V_{OUT} \leq V_{DDQ}$			± 1	μA
I_{DD1}	Supply Current Asynchronous Read (f=6MHz)	$\bar{E}_F = V_{IL}, \bar{G}_F = V_{IH}$		3	6	mA
		4 Word		7	16	mA
	Supply Current Synchronous Read (f=54MHz)	8 Word		10	18	mA
		16 Word		12	22	mA
		Continuous		13	25	mA
	Supply Current Synchronous Read (f=66MHz)	4 Word		8	17	mA
		8 Word		11	20	mA
		16 Word		14	25	mA
		Continuous		16	30	mA
	I_{DD2}	Supply Current (Reset)	$\bar{R}P_F = V_{SS} \pm 0.2V$		10	50
I_{DD3}	Supply Current (Standby)	$\bar{E}_F = V_{DDF} \pm 0.2V$		10	50	μA
I_{DD4}	Supply Current (Automatic Standby)	$\bar{E}_F = V_{IL}, \bar{G}_F = V_{IH}$		10	50	μA
$I_{DD5}^{(1)}$	Supply Current (Program)	$V_{PPF} = V_{PPH}$		8	15	mA
		$V_{PPF} = V_{DDF}$		10	20	mA
	Supply Current (Erase)	$V_{PPF} = V_{PPH}$		8	15	mA
		$V_{PPF} = V_{DDF}$		10	20	mA
$I_{DD6}^{(1,2)}$	Supply Current (Dual Operations)	Program/Erase in one Bank, Asynchronous Read in another Bank		13	26	mA
		Program/Erase in one Bank, Synchronous Read in another Bank		23	45	mA
$I_{DD7}^{(1)}$	Supply Current Program/ Erase Suspended (Standby)	$\bar{E}_F = V_{DDF} \pm 0.2V$		10	50	μA
$I_{PP1}^{(1)}$	V_{PPF} Supply Current (Program)	$V_{PPF} = V_{PPH}$		2	5	mA
		$V_{PPF} = V_{DDF}$		0.2	5	μA
	V_{PPF} Supply Current (Erase)	$V_{PPF} = V_{PPH}$		2	5	mA
		$V_{PPF} = V_{DDF}$		0.2	5	μA
I_{PP2}	V_{PPF} Supply Current (Read)	$V_{PPF} \leq V_{DDF}$		0.2	5	μA
$I_{PP3}^{(1)}$	V_{PPF} Supply Current (Standby)	$V_{PPF} \leq V_{DDF}$		0.2	5	μA

Note: 1. Sampled only, not 100% tested.

2. V_{DDF} Dual Operation current is the sum of read and program or erase currents.

M36W0R6040T0, M36W0R6040B0

Table 7. Flash Memory DC Characteristics - Voltages

Symbol	Parameter	Test Condition	Min	Typ	Max	Unit
V _{IL}	Input Low Voltage		-0.5		0.4	V
V _{IH}	Input High Voltage		V _{DDQ} - 0.4		V _{DDQ} + 0.4	V
V _{OL}	Output Low Voltage	I _{OL} = 100μA			0.1	V
V _{OH}	Output High Voltage	I _{OH} = -100μA	V _{DDQ} - 0.1			V
V _{PP1}	V _{PPF} Program Voltage-Logic	Program, Erase	1.1	1.8	3.3	V
V _{PPH}	V _{PPF} Program Voltage Factory	Program, Erase	11.4	12	12.6	V
V _{PPLK}	Program or Erase Lockout				0.4	V
V _{LKO}	V _{DDF} Lock Voltage		1			V
V _{RPH}	\overline{RP}_F pin Extended High Voltage				3.3	V

Table 8. PSRAM DC Characteristics

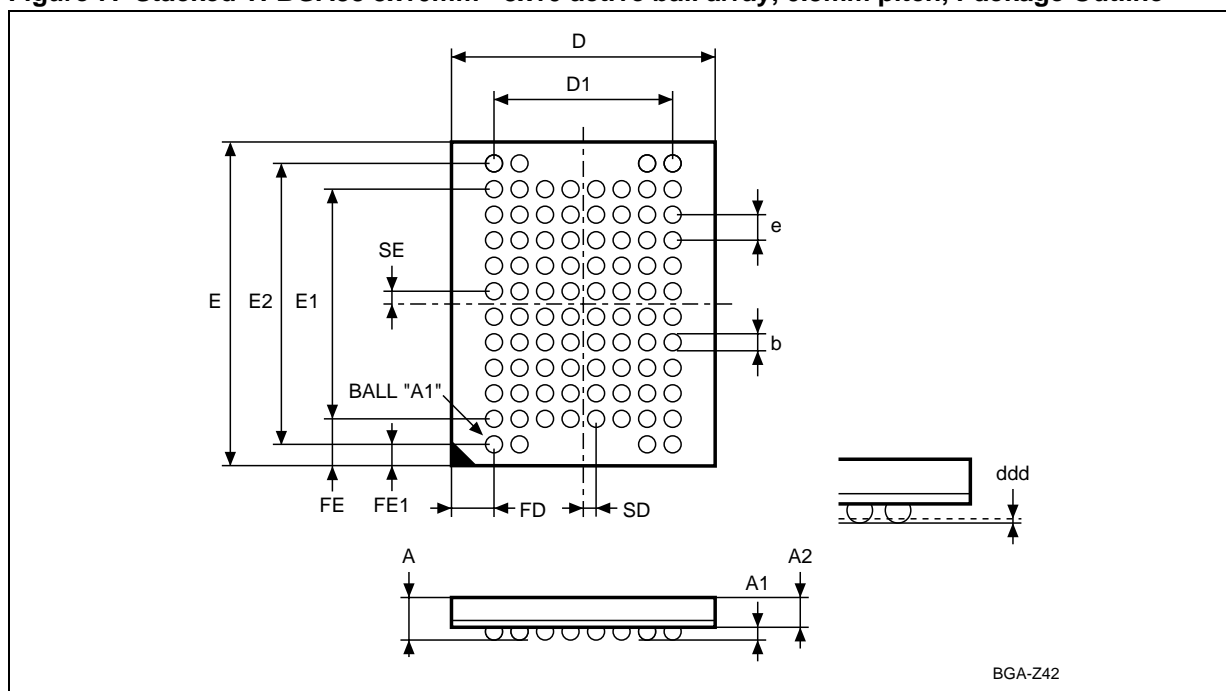
Symbol	Parameter	Test Condition	Min	Max	Unit
I _{CC1}	V _{DDP} Active Current	V _{DDP} = 1.95V, V _{IN} = V _{IH} or V _{IL} , $\overline{E1}_P = V_{IL}$ and $E2_P = V_{IH}$, I _{OUT} = 0mA	t _{AVAV} Read / t _{AVAV} Write = minimum	20	mA
I _{CC2}			t _{AVAV} Read / t _{AVAV} Write = maximum	3	mA
I _{LI}	Input Leakage Current	0V ≤ V _{IN} ≤ V _{DDP}	-1	1	μA
I _{LO}	Output Leakage Current	0V ≤ V _{OUT} ≤ V _{DDP}	-1	1	μA
I _{PD}	Deep Power Down Current	V _{DDP} = 1.95V, $\overline{E1}_P ≥ V_{DDP} - 0.2V$ or $\overline{E1}_P ≤ V_{IL}$, V _{IN} ≥ V _{DDP} - 0.2V or V _{IN} ≤ 0.2V		10	μA
I _{SB}	Standby Supply Current CMOS	V _{DDP} = 1.95V, $\overline{E1}_P = E2_P ≥ V_{DDP} - 0.3V$, I _{OUT} = 0mA		110	μA
V _{IH} ⁽¹⁾	Input High Voltage		0.8V _{DDP}	V _{DDP} + 0.2	V
V _{IL} ⁽²⁾	Input Low Voltage		-0.3	0.4	V
V _{OH}	Output High Voltage	I _{OH} = -0.5mA	V _{DDP} - 0.2		V
V _{OL}	Output Low Voltage	I _{OL} = 0.1mA		0.2	V

Note: 1. The maximum DC voltage on input and I/O pins is V_{DDP}+0.2V. During voltage transitions, inputs may overshoot V_{DDP} by 1.0V for periods of up to 5ns.

2. The minimum DC voltage on input or I/O pins is -0.3V. During voltage transitions, inputs may undershoot V_{SS} by 1.0V for periods of up to 5ns.

PACKAGE MECHANICAL

Figure 7. Stacked TFBGA88 8x10mm - 8x10 active ball array, 0.8mm pitch, Package Outline



Note: Drawing is not to scale.

Table 9. Stacked TFBGA88 8x10mm - 8x10 ball array, 0.8mm pitch, Package Mechanical Data

Symbol	millimeters			inches		
	Typ	Min	Max	Typ	Min	Max
A			1.200			0.0472
A1		0.200			0.0079	
A2	0.850			0.0335		
b	0.350	0.300	0.400	0.0138	0.0118	0.0157
D	8.000	7.900	8.100	0.3150	0.3110	0.3189
D1	5.600			0.2205		
ddd			0.100			0.0039
E	10.000	9.900	10.100	0.3937	0.3898	0.3976
E1	7.200			0.2835		
E2	8.800			0.3465		
e	0.800	–	–	0.0315	–	–
FD	1.200			0.0472		
FE	1.400			0.0551		
FE1	0.600			0.0236		
SD	0.400			0.0157		
SE	0.400			0.0157		

PART NUMBERING

Table 10. Ordering Information Scheme

Example:

M36W0R6040T0ZAQT

Device Type

M36 = Multiple Memory Product (Multiple Flash + RAM)

Flash 1 Architecture

W = Multiple Bank, Burst mode

Flash 2 Architecture

0 = none present

Operating Voltage

R = $V_{DDF} = V_{DDQ} = V_{DDP} = 1.7V$ to $1.95V$

Flash 1 Density

6 = 64 Mbit

Flash 2 Density

0 = none present

RAM 1 Density

4 = 16 Mbit

RAM 0 Density

0 = none present

Parameter Blocks Location

T = Top Boot Block Flash

B = Bottom Boot Block Flash

Product Version

0 = $0.13\mu m$ Flash technology, 70ns;

$0.18\mu m$ RAM, 70ns speed

Package

ZAQ = Stacked TFBGA88 8x10mm - 8x10 active ball array, 0.8mm pitch

Option

Blank = Standard Packing

T = Tape & Reel Packing

E = Lead-Free and RoHS Package, Standard Packing

F = Lead-Free and RoHS Package, Tape & Reel Packing

Devices are shipped from the factory with the memory content bits erased to '1'. For a list of available options (Speed, Package, etc.) or for further information on any aspect of this device, please contact the ST-Microelectronics Sales Office nearest to you.

REVISION HISTORY

Table 11. Document Revision History

Date	Version	Revision Details
07-Nov-2003	1.0	First Issue
02-Dec-2004	2.0	Document status promoted from Target Specification to full Datasheet. Package specification updated. The TFBGA88 package is fully compliant with the ST ECOPACK specification. Flash memory and PSRAM data updated to the M58WR064FT/B datasheet version 5.0 of 08-Oct-2004 and to the M69AR024B datasheet version 6.0 of 29-Sep-2004, respectively.

Information furnished is believed to be accurate and reliable. However, STMicroelectronics assumes no responsibility for the consequences of use of such information nor for any infringement of patents or other rights of third parties which may result from its use. No license is granted by implication or otherwise under any patent or patent rights of STMicroelectronics. Specifications mentioned in this publication are subject to change without notice. This publication supersedes and replaces all information previously supplied. STMicroelectronics products are not authorized for use as critical components in life support devices or systems without express written approval of STMicroelectronics.

The ST logo is a registered trademark of STMicroelectronics.
ECOPACK is a registered trademark of STMicroelectronics.
All other names are the property of their respective owners

© 2004 STMicroelectronics - All rights reserved

STMicroelectronics group of companies
Australia - Belgium - Brazil - Canada - China - Czech Republic - Finland - France - Germany - Hong Kong - India - Israel - Italy - Japan -
Malaysia - Malta - Morocco - Singapore - Spain - Sweden - Switzerland - United Kingdom - United States of America
www.st.com