

MITSUBISHI ICs (TV)
M52043SP

PAL-M SYSTEM SINGLE-CHIP COLOR TV SIGNAL PROCESSOR

DESCRIPTION

The M52043SP is an integrated semiconductor circuit which has signal processing functions for video IF, sound IF, video, chroma, deflection signals and a single chip capable of processing PAL-M color TV signals.

Combined with tuner and simple output stage of discrete transistors, it enables more rationalized designs of PAL-M color TV sets.

FEATURES

- Large integration enables rationalization and high equipment reliability with low power consumption.
- Two differential video IF input terminals give parasitic oscillation stability.
- Horizontal free run frequency adjustment free. (Countdown from 32fH oscillator)
- Vertical free run frequency adjustment free. (Countdown from 2fH)
- AFT defeat, video mute and sound mute are available.
- DC control. (sharpness, contrast, brightness, color)

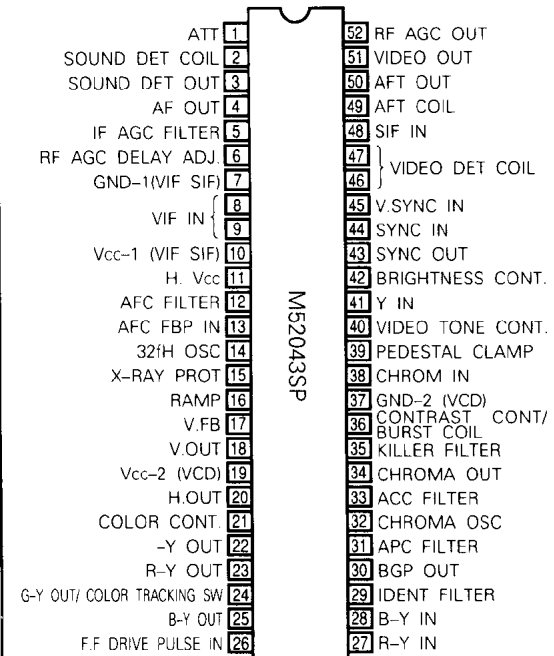
APPLICATION

PAL-M CTV (Vertical 60Hz)

RECOMMENDED OPERATING CONDITION

Supply voltage range8.5~9.5V (V10, V19)
 Rated supply voltage9.0V (V10, V19)
 Supply current range15~22mA (I11)
 Rated supply current18mA (I11)

PIN CONFIGURATION (TOP VIEW)

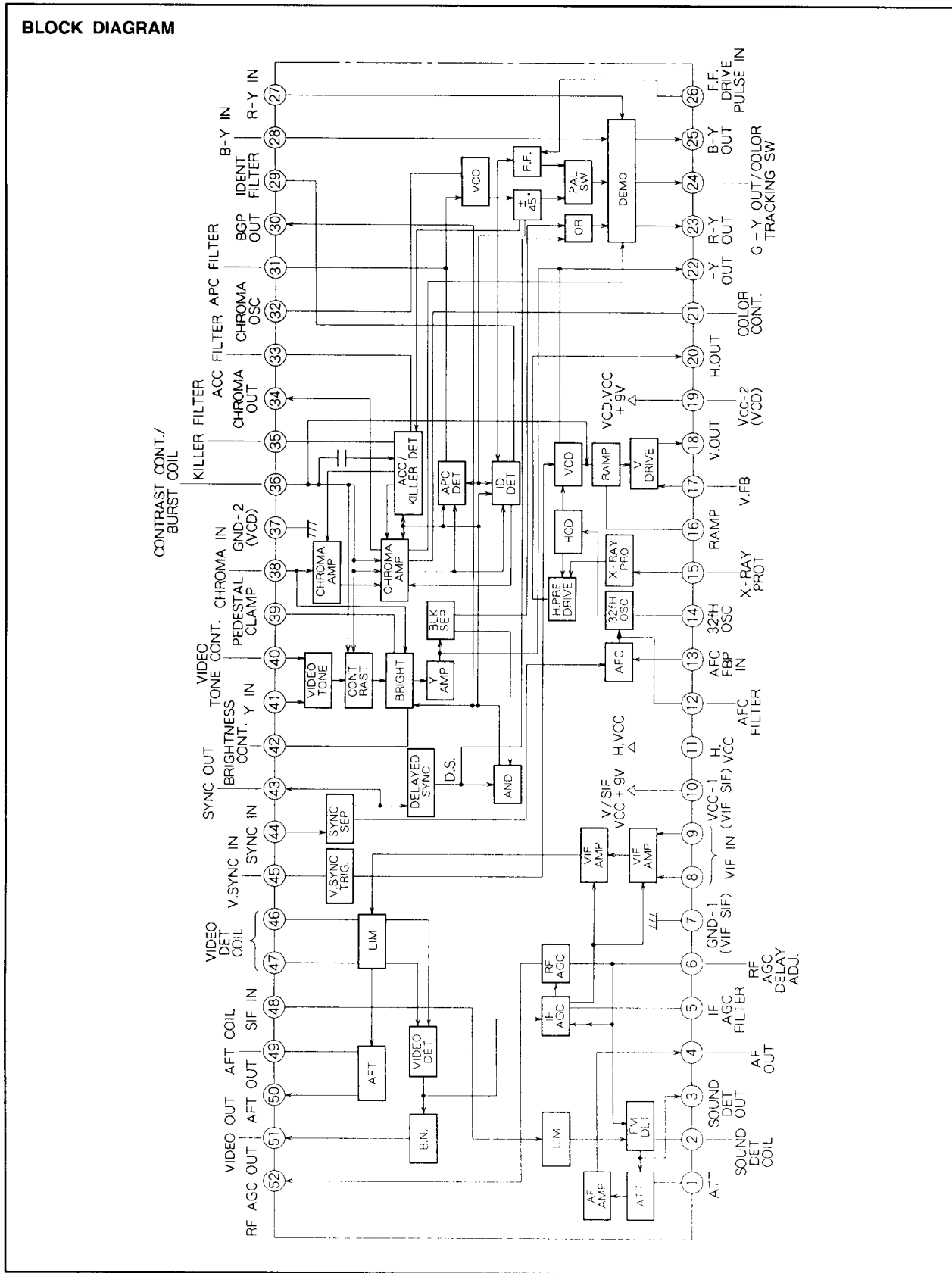


Outline 52P4B

M52043SP

PAL-M SYSTEM SINGLE-CHIP COLOR TV SIGNAL PROCESSOR

BLOCK DIAGRAM



M52043SP

PAL-M SYSTEM SINGLE-CHIP COLOR TV SIGNAL PROCESSOR

ABSOLUTE MAXIMUM RATINGS

Symbol	Parameter	Rated	Unit
V _{CC}	Supply voltage	10.8	V
P _d	Power dissipation	1.4	W
T _{opr}	Operating temperature	-20~65	°C
T _{stg}	Storage temperature	-40~125	°C

ELECTRICAL CHARACTERISTICS (T_a = 25°C, unless otherwise noted)

VIF/SIF SECTION

Symbol	Parameter	Test point	Input ()	Test conditions *														Limits			Unit			
				1	5	6	V _{CC} 10	S 2	S 5	S 6	S 6A	S 10	S 10A	S 47	S 48	S 48A	S 49	S 51	S 52	S 52A		Min.	Typ.	Max.
I _{CC10}	Circuit current	A10	-	-	-	9.0V	-	-	○	-	-	○	-	-	-	-	-	○	-	27	36	50	mA	
V ₅₁	Video output direct current voltage	51	-	-	-	9.0V	○	○	-	○	-	-	-	-	-	-	○	○	-	4.55	4.9	5.35	V	
V _{O51}	Video output signal voltage	51	A SG1	-	-	9.0V	○	-	○	-	-	-	-	-	-	-	○	○	-	1.7	2.0	2.3	V _{P-P}	
V _{51L}	Sync signal tip voltage	51	A SG2	-	-	9.0V	○	-	○	-	-	-	-	-	-	-	○	○	-	2.3	2.6	2.9	V	
V _{in min}	Input sensitivity	51A	A SG3	-	-	9.0V	○	-	○	-	-	-	-	-	-	-	○	○	-	37	45	51	dB μ	
V _{in max}	Maximum allowable input	51A	A SG4	-	-	9.0V	○	-	○	-	-	-	-	-	-	-	○	○	-	103	110		dB μ	
V _{BTH}	Black spot noise inverter	51	A SG2 SG5	-	-	9.0V	○	○	-	○	-	-	-	-	-	-	○	○	-	1.7	2.0	2.3	V	
V _{BCL}																				3.3	3.8	4.3	V	
BW	Video frequency characteristics	51	A SG8	-	-	9.0V	○	-	○	-	-	-	-	-	-	-	-	○	○	-	5.6	8		MHz
IM	Intermodulation	51	A SG9	-	-	9.0V	○	-	○	-	-	-	-	-	-	-	-	○	○	-	32	45		dB
S/N	Video noise	51A	A SG2	-	-	9.0V	○	-	○	-	-	-	-	-	-	-	-	○	○	-	50	56		dB
V ₅₀	AFT output direct current	50	-	-	-	9.0V	○	○	-	○	-	-	-	-	-	-	-	○	○	-	3.0	4.0	5.0	V
V _{50H}	AFT output maximum voltage	50	A SG6	-	-	9.0V	○	-	○	-	-	-	-	-	-	-	-	○	○	-	8.0	8.7		V
V _{50L}	AFT output minimum voltage	50	A SG7	-	-	9.0V	○	-	○	-	-	-	-	-	-	-	-	○	○	-		0.3	1.0	V
μ AFT	AFT sensitivity	50	A SG5	-	-	9.0V	○	-	○	-	-	-	-	-	-	-	-	○	○	-	40	60	120	mV/kHz
V _{50D}	AFT defeat voltage	50	A SG5	-	-	9.0V	○	-	○	-	-	-	-	-	-	-	-	○	○	-	4.35	4.5	4.65	V
V _{52H}	RF AGC maximum voltage	52	A SG11	-	-	2.5 9.0V	○	-	○	-	-	-	-	-	-	-	-	○	○	-	7.0	8.0		V
V _{52L}	RF AGC minimum voltage	52	A SG10	-	-	2.5 9.0V	○	-	○	-	-	-	-	-	-	-	-	○	○	-		0.01	0.3	V
V. S. MUTE1	Sync mute starting voltage	5 6	-	9.0 V	M	9.0V	-	-	-	○	-	-	-	-	-	-	-	○	○	-		0.7	1.2	V
V ₃	AF direct output direct current voltage	3	-	-	-	9.0V	-	○	○	-	-	-	-	-	-	-	-	○	○	-	3.4	3.9	4.5	V
V _{OAF}	AF direct output signal voltage	3	C SG12	-	-	9.0V	-	○	○	-	-	-	-	-	-	-	-	○	○	-	540	630	720	mVrms

* : - Indicates open.

M52043SP

PAL-M SYSTEM SINGLE-CHIP COLOR TV SIGNAL PROCESSOR

VIF/SIF SECTION (cont.)

Symbol	Parameter	Test point	Input ()	Test conditions *																Limits			Unit	
				1	5	6	Vcc 10	S 2	S 5	S 6	S 6A	S 10	S 10A	S 47	S 48	S 48A	S 49	S 51	S 52	S 52A	Min.	Typ.		Max.
LIM	Limiting sensitivity	3	C SG14	-	-	-	9.0V	-	○	○	-	○	-	-	-	○	○	-	○	-	-	42	50	dB μ
AMR	AMR	3	C SG15	-	-	-	9.0V	-	○	○	-	○	-	-	-	○	○	-	○	-	50	60	dB	
Vo4	AF Driver output	4	C SG12	-	-	-	9.0V	-	○	○	-	○	-	-	-	○	○	-	○	-	250	460	650	mVrms
Vo4 max	AF Driver maximum output	4	C SG12	9.0V	-	-	9.0V	-	○	○	-	○	-	-	-	○	○	-	○	-	700	930	1200	mVrms
ATT	Maximum attenuation	4	C SG12	9.0V	-	-	9.0V	-	○	○	-	○	-	-	-	○	○	-	○	-	70	80	dB	
GAF	AF Driver gain																				2.1	4.3	5.2	dB
S/N AF	Sound S/N	4	C SG16	9.0V	-	-	9.0V	-	○	○	-	○	-	-	-	○	○	-	○	-	55	66	dB	
S MUTE	Sound muting voltage	2	C SG12	9.0V	-	-	9.0V	○	○	-	○	-	-	-	-	○	○	-	○	-	0.4	1.0	mVrms	
V.S. MUTE2	Video sound muting sound output	4	C SG12	9.0V	-	Variable	9.0V	-	-	-	○	-	-	-	-	○	○	-	○	-	0.3	1.0	V	
THD AF	AF Driver maximum output distortion	4	C SG12	9.0V	-		9.0V 0V	-	○	○	-	○	-	-	-	○	○	-	○	-	1	5	%	
V1	Pin ① voltage	1	-	H	-	-	9.0V	-	○	○	-	○	-	-	-	○	○	-	○	-	4.8	5.3	5.8	V

* : - Indicates open

SYNC SECTION (Horizontal)

Symbol	Parameter	Test point	Input ()	Test conditions *																Limits			Unit		
				11	11A	15	16A	17	19	S 11	S 11A	S 11B	S 12	S 12A	S 13	S 16	S 17	S 19	S 20	S 22	S 36	S 44		S 44A	Min.
ISS	Sync separation input sensitivity current	ISS 43	ISS Variable	-	-	-	-	9.0V	-	-	-	-	-	-	-	○	-	-	-	-	○	0.05	0.1	0.2	mA
V43H	Sync separation output maximum voltage	43	D SG17	-	-	-	-	9.0V	-	-	-	-	-	-	-	○	-	-	-	-	○	8.0	8.9		V _{O-P}
V43L	Sync separation output minimum voltage	43	D SG17	-	-	-	-	9.0V	-	-	-	-	-	-	-	○	-	-	-	-	○	2.5	3.0	3.5	V _{O-P}
T _{BGP-I}	B. G. P. Timing	D 30	D SG18	-	-	-	-	9.0V	-	-	-	-	-	-	-	○	-	-	-	-	○	0	1	2	μs
T _{BGP-II}				2.0	3.0	4.5	μs																		
V _{BGP-H}	B. G. P. Amplitude	30	D SG18	-	-	-	-	9.0V	-	-	-	-	-	-	-	○	-	-	-	-	○	5.4	6.2	7.0	V _{O-P}
V _{BGP-L}				0	0.3	V _{O-P}																			
I _{CC 11}	H. Vcc current	A11	-	-	12V	0V	-	-	-	○	○	-	-	-	-	-	-	-	-	-	-	12.0	16.0	20.0	mA
f _H	Horizontal free run frequency	20	-	-	12V	0V	-	-	○	-	○	○	-	-	-	-	-	-	-	-	-	15.20	15.625	15.95	kHz
V _{11 min}	Horizontal oscillator starting voltage	11 20	-	Variable	0V	-	-	○	-	○	○	-	-	-	-	-	-	-	-	-	-	4.5	5.4	V	
f _{PHL}	Horizontal pull-in range	D20	D SG18 f Variable	9.0V	9.0V	0V	-	9.0V	○	-	○	○	-	-	○	○	-	○	-	○	-	-500	-600		Hz
f _{PHL}				+500	+600	Hz																			
V _{20H}	Horizontal output maximum voltage	20	D SG18	9.0V	9.0V	0V	-	9.0V	○	-	○	○	-	-	○	○	-	○	-	○	-	3.2	3.8		V _{O-P}

* : - Indicates open

M52043SP

PAL-M SYSTEM SINGLE-CHIP COLOR TV SIGNAL PROCESSOR

SYNC SECTION (Horizontal) (cont.)

Symbol	Parameter	Test point	Input ()	Test conditions *																			Limits			Unit
				11	11A	15	16A	17	19	S11	S11A	S11B	S12A	S13	S16	S17	S19	S20	S22	S36	S44	S44A	Min.	Typ.	Max.	
V _{20L}	Horizontal output minimum voltage	20	D SG18	9.0	9.0	0	-	9.0	0	-	0	0	0	-	0	0	-	0	0	-	0	-		0	0.3	V _{O-P}
T _H	Horizontal output pulse width	20	D SG18	9.0	9.0	0	-	9.0	0	-	0	0	0	-	0	0	-	0	0	-	0	0	22	24	26	μs
V _{20H} (6V)	Pin ⑩ = 6V horizontal output maximum voltage	20	-	6.0	-	0	-	-	0	-	0	0	-	-	-	-	-	-	-	-	-	-	1.2	1.8	2.4	V _{O-P}
f _H (V _{CC})	Free run frequency Increase/ Decrease power supply voltage	20	-	9V	15V	0	-	-	0	-	0	0	-	-	-	-	-	-	-	-	-	15.20	15.625	15.95	kHz	
V _{PRO}	Overvoltage detection operating voltage	15 20	-	9.0	-	V ₊	-	-	0	-	0	0	-	-	-	-	-	-	-	-	-	0.63	0.73	0.83	V	

* : - Indicates open.

SYNC SECTION (Vertical)

Symbol	Parameter	Test point	Input ()	Test conditions *																			Limits			Unit	
				11	11A	15	16A	17	19	36	S11	S11A	S11B	S12A	S13	S16	S17	S19	S20	S22	S26	S36	S44	S44A	S26A		Min.
f _V	Vertical free run frequency 50Hz	16	D SG18	9.0	9.0	0	0	9.0	4.5	0	-	0	0	0	-	0	0	-	0	0	-	0	-	51.8	52.8	53.8	Hz
f _{PV}	Vertical pull-in frequency (50Hz)	16	D SG20 variable	9.0	9.0	0	0	9.0	4.5	0	-	0	0	0	-	0	0	-	0	0	-	0	-	65.7	67.2	68.7	Hz
T _V	Vertical output pulse width (50Hz)	16	D SG17	9.0	9.0	0	0	9.0	4.5	0	-	0	0	0	-	0	0	-	0	0	-	0	-	494	544	594	μs
V _{18H}	Vertical output maximum voltage	18	D SG17	9.0	9.0	0	-	3.7	9.0	4.5	0	-	0	0	0	-	0	0	-	0	0	-	4.2	5		V _{O-P}	
V _{18L}	Vertical output minimum voltage	18	D SG17	9.0	9.0	0	-	3.7	9.0	4.5	0	-	0	0	0	-	0	0	-	0	0	-		0	0.3	V _{O-P}	
G _{VV}	Vertical open loop gain	17 18	E SG19	-	-	4.5	3.7	9.0	-	-	-	-	-	-	-	0	0	-	0	0	-	0	-	16	22	28	dB
V _{19 min}	Vertical oscillator starting voltage	16 19	-	9.0	9.0	0	0	V ₊	4.5	0	-	0	0	0	-	0	0	-	0	0	-	0	-		5	6.5	V
V _{RAMP}	Ramp peak voltage	16	D SG17	9.0	9.0	0	0	9.0	4.5	0	-	0	0	0	-	0	0	-	0	0	-	0	-	4.60	4.90	5.30	V _{O-P}
V _{RAMP}	Ramp peak amplitude	16	D SG17	9.0	9.0	0	0	9.0	4.5	0	-	0	0	0	-	0	0	-	0	0	-	0	-	1.20	1.45	1.85	V _{P-P}

* : - Indicates open.

M52043SP

PAL-M SYSTEM SINGLE-CHIP COLOR TV SIGNAL PROCESSOR

VIDEO SECTION

Symbol	Parameter	Test point	Input ()	Test conditions *																Limits			Unit														
				11A	16A	19A	21A	22A	29A	36A	38A	39A	40A	42A	S19A	S19A	S22A	S24A	S27A	S27A	S28A	S28A		S35A	S36A	S39A	S42A	S44A	Min.	Typ.	Max.						
I _{CC19}	Circuit current	A19	-	-	9.0 V	-	-	4.5 V	-	2.7 V	-	-	○	○	-	-	-	-	-	-	-	-	-	-	-	-	30	40	50	mA							
Y _{max}	Maximum output	22	F SG21	-	9.0 V	-	-	9.0 V	-	Variable	-	-	○	○	-	-	-	-	-	-	-	-	-	-	-	-	5.0	6.2	-	V _{P-P}							
G _Y	Standard gain	22	F SG22	-	9.0 V	-	-	4.5 V	-	Variable	-	-	○	○	-	-	-	-	-	-	-	-	-	-	-	-	11	15	19	dB							
G _{Y min}	Contrast control characteristics	22	F SG22	-	9.0 V	-	-	2.5 V	-	Variable	-	-	○	○	-	-	-	-	-	-	-	-	-	-	-	-	-	-	-	-	-45	-30	dB				
G _{Y max}																															+2	+6	+8.5	dB			
V _{BRT-I-norm}	Brightness control characteristics I	22	D SG18	12 V	9.0 V	-	-	4.5 V	-	9.0 V	-	-	○	○	-	-	-	-	-	-	-	-	-	-	-	-	-	-	-	-	-	-	2.75	3.1	3.45	V _{O-P}	
V _{BRT-I-L}																																	2.25	2.6	2.95	V _{O-P}	
V _{BRT-I-H}																																	3.05	3.4	3.75	V _{O-P}	
V _{BRT-II-norm}	Brightness control characteristics II	22	D SG18	12 V	9.0 V	-	-	4.5 V	-	4.5 V	-	-	○	○	-	-	-	-	-	-	-	-	-	-	-	-	-	-	-	-	-	-	-	2.75	3.1	3.45	V _{O-P}
V _{BRT-II-L}																																		1.65	2.0	2.35	V _{O-P}
V _{BRT-II-H}																																		3.85	4.2	4.55	V _{O-P}
G _P	Peaking value	22	F SG23 SG24	-	9.0 V	-	-	4.5 V	-	Variable	-	-	○	○	-	-	-	-	-	-	-	-	-	-	-	-	7.5	11	14.5	dB							
G _{T norm}	Video tone control characteristics	22	F SG24	-	9.0 V	-	-	4.5 V	-	Variable	-	-	○	○	-	-	-	-	-	-	-	-	-	-	-	-	-	-	-	-	-	-	-	-1.3	-0.5	1.2	dB
G _{T min}																																		-21	-15	-11	dB
G _{T max}																																		3.0	6.0	10.0	dB
f _{B (Y)}	Frequency characteristics	22	F SG25	-	9.0 V	-	-	4.5 V	-	Variable	-	-	○	○	-	-	-	-	-	-	-	-	-	-	-	-	7	8	-	MHz							
DG _Y	Differential gain	22	F SG22	-	9.0 V	-	-	4.5 V	-	Variable	-	-	○	○	-	-	-	-	-	-	-	-	-	-	-	-	-	1	6	-	%						
V ₄₀	Pin ④ voltage	40	-	-	9.0 V	-	-	4.5 V	-	M	-	-	○	○	-	-	-	-	-	-	-	-	-	-	-	-	4.15	4.45	4.75	V							
V _{BLK V}	Vertical blanking voltage	22	-	12 V	9.0 V	-	-	2.5 V	-	Variable	-	-	○	○	-	-	-	-	-	-	-	-	-	-	-	-	7.3	7.7	-	V _{O-P}							
V _{BLK TV50}	Vertical blanking width	22	-	12 V	9.0 V	-	-	2.5 V	-	Variable	-	-	○	○	-	-	-	-	-	-	-	-	-	-	-	-	1.31	1.38	1.44	ms							
V _{BLK H}	Horizontal blanking threshold voltage	22 25A	H SG28 0.5 V _{P-P}	-	9.0 V	-	-	2.5 V	-	Variable	-	-	○	○	○	○	-	-	-	-	-	-	-	-	-	-	6.35	6.8	-	V _{O-P}							
V _{DC REG}	DC regeneration variable characteristics	22	F SG17	-	9.0 V	-	-	4.5 V	-	9.0 V	-	-	○	○	-	-	-	-	-	-	-	-	-	-	-	-	-1.2	-0.2	1.0	V							

* : - Indicates open.

M52043SP

PAL-M SYSTEM SINGLE-CHIP COLOR TV SIGNAL PROCESSOR

CHROMA SECTION 1

Symbol	Parameter	Test point	Input ()	Test conditions *																			Limits			Unit					
				11A	16A	19	21	22A	29	36	38	39	40	42	S19A	S19A	S22A	S24A	S27A	S27A	S28A	S28A	S29A	S35A	S36A		S39A	S42A	Min.	Typ.	Max.
C _{max}	Chroma maximum output	34	G SG26 0dB	12V	-	9.0V	6.5V	-	6.5V	-	9.0V	-	-	-	-	-	-	-	-	-	-	-	-	-	-	-	0.6	1.0	1.5	V _{P-P}	
G _c	Chroma maximum gain	34	G SG26 -26dB	12V	-	9.0V	6.5V	-	6.5V	-	9.0V	-	-	-	-	-	-	-	-	-	-	-	-	-	-	-	36	40	46	dB	
Acc - I	ACC Characteristics	34	G SG26 -20dB	12V	-	9.0V	-	-	4.5V	-	9.0V	-	-	-	-	-	-	-	-	-	-	-	-	-	-	-	-	-	-	-	-
Acc - II																															
V _{ik}	Killer operation input level	G 21	G SG26 Variable	12V	-	9.0V	-	-	4.5V	-	9.0V	-	-	-	-	-	-	-	-	-	-	-	-	-	-	-	-42	-35	-30	dB	
V _{ok}	Killer color residual	34	G SG26 0dB	12V	-	9.0V	-	-	9.0V	-	9.0V	-	-	-	-	-	-	-	-	-	-	-	-	-	-	-	-	15	35	mV _{P-P}	
C _{norm}	Chroma normal output	34	G SG26 0dB	12V	-	9.0V	-	-	4.5V	-	9.0V	-	-	-	-	-	-	-	-	-	-	-	-	-	-	-	0.11	0.16	0.27	V _{P-P}	
C _{S min}	Color control characteristics I	34	G SG26 0dB	12V	-	9.0V	2.5V	-	4.5V	-	9.0V	-	-	-	-	-	-	-	-	-	-	-	-	-	-	-	-	-	-	-	-
C _{S max}							5																								
C _{u min}	Color control characteristics II	34	G SG26 0dB	12V	-	9.0V	2.5V	-	6.5V	-	9.0V	-	-	-	-	-	-	-	-	-	-	-	-	-	-	-	-	-	-	-	-
C _{u max}							4																								
f _{PC L}	APC Pull-in	21	G SG27 0dB	12V	-	9.0V	-	-	4.5V	-	9.0V	-	-	-	-	-	-	-	-	-	-	-	-	-	-	-	-	-	-	-	-
f _{PC H}																															
f _{PC}	Total APC range	G	G SG27 0dB	12V	-	9.0V	-	-	4.5V	-	9.0V	-	-	-	-	-	-	-	-	-	-	-	-	-	-	-	0.6	1.2	-	kHz	
V ₂₃	Demodulated output DC voltage	23A	-	-	-	-	-	-	-	-	-	-	-	-	-	-	-	-	-	-	-	-	-	-	-	-	-	-	-	-	V
V ₂₄		24A	-	12V	-	9.0V	-	-	4.5V	-	9.0V	-	-	-	-	-	-	-	-	-	-	-	-	-	-	-	-	4.85	5.25	5.65	V
V ₂₅		25A	-	-	-	-	-	-	-	-	-	-	-	-	-	-	-	-	-	-	-	-	-	-	-	-	-	-	-	-	-

* : - Indicates open.

CHROMA SECTION 2

Symbol	Parameter	Test point	Input ()	Test conditions *																			Limits			Unit						
				11A	16A	19	21	22A	29	36	38	39	40	42	S19A	S19A	S22A	S24A	S27A	S27A	S28A	S28A	S29A	S35A	S36A		S39A	S42A	Min.	Typ.	Max.	
V ₂₃₋₂₄	Demodulated output DC offset voltage	-	-	-	-	-	-	-	-	-	-	-	-	-	-	-	-	-	-	-	-	-	-	-	-	-	-	-	-	-	-	V
V ₂₄₋₂₅		-	-	-	-	-	-	-	-	-	-	-	-	-	-	-	-	-	-	-	-	-	-	-	-	-	-	-0.3	0	+0.3	V	
V ₂₅₋₂₃		-	-	-	-	-	-	-	-	-	-	-	-	-	-	-	-	-	-	-	-	-	-	-	-	-	-	-	-	-	-	V
D _{max-P}	Demodulated output maximum amplitude	25A	G SG26 0dB	12V	-	9.0V	6.5V	-	6.5V	-	9.0V	-	-	-	-	-	-	-	-	-	-	-	-	-	-	-	3	4.5	-	-	V _{P-P}	
D _{B-Y}	B-Y Demodulation sensitivity	25A	H SG28 0.2 V _{P-P}	12V	-	9.0V	-	-	4.5V	-	9.0V	-	-	-	-	-	-	-	-	-	-	-	-	-	-	-	2.1	3.4	4.3	-	V _{P-P}	
$\left(\frac{R-Y}{B-Y}\right)_P$	Demodulation ratio	23A	H SG28 0.2 V _{P-P}	12V	-	9.0V	-	-	4.5V	-	9.0V	-	-	-	-	-	-	-	-	-	-	-	-	-	-	-	0.57	0.66	0.73	-		
$\left(\frac{G-Y}{B-Y}\right)_P$		25A	H SG28 0.2 V _{P-P}	12V	-	9.0V	-	-	4.5V	-	9.0V	-	-	-	-	-	-	-	-	-	-	-	-	-	-	-	-	-	-	-	-	-
$\left(\frac{G-Y}{B-Y}\right)_P$		24A	H SG28 0.2 V _{P-P}	12V	-	9.0V	-	-	4.5V	-	9.0V	-	-	-	-	-	-	-	-	-	-	-	-	-	-	-	-	0.30	0.37	0.45	-	

* : - Indicates open.

M52043SP

PAL-M SYSTEM SINGLE-CHIP COLOR TV SIGNAL PROCESSOR

CHROMA SECTION 2 (cont.)

Symbol	Parameter	Test point	Input ()	Test conditions *																Limits			Unit									
				11A	16A	19	21	22A	29	36	38	39	40	42	S19	S19A	S22	S24	S27	S27A	S28	S28A		S35	S36	S39	S42	Min.	Typ.	Max.		
Δ DHR-Y	Demodulated output 1H level	23A	H SG28 0.2 VP-P	12	-	9.0	2.5	-	2.5	-	-	9.0	-	-	-	-	-	-	-	-	-	-	-	-	-	-	-	-	35	mVP-P		
Δ DHG-Y		24A	-	-	-	-	-	-	-	-	-	-	-	-	-	-	-	-	-	-	-	-	-	-	-	-	-	-	-	-	-	
CLB-Y	Demodulated output carrier leak	25A	-	12	-	9.0	2.5	-	2.5	-	-	9.0	-	-	-	-	-	-	-	-	-	-	-	-	-	-	-	-	0.2	VP-P		
CLR-Y		23A	-	-	-	-	-	-	-	-	-	-	-	-	-	-	-	-	-	-	-	-	-	-	-	-	-	-	-	-		
CLG-Y		24A	-	-	-	-	-	-	-	-	-	-	-	-	-	-	-	-	-	-	-	-	-	-	-	-	-	-	-	-	-	
V21	Pin ② voltage	21	G SG26 0dB	12	-	9.0	M	-	4.5	-	-	9.0	-	-	-	-	-	-	-	-	-	-	-	-	-	-	-	4.2	4.5	4.8	V	
V21K		21	-	-	-	-	-	-	-	-	-	-	-	-	-	-	-	-	-	-	-	-	-	-	-	-	-	-	0.1	0.35	V	
DBWR-Y	Demodulated output bandwidth	23	-	12	-	9.0	-	-	4.5	-	-	9.0	-	-	-	-	-	-	-	-	-	-	-	-	-	-	-	-	-	-	-	
DBG-Y		24	H SG30	-	-	-	-	-	-	-	-	-	-	-	-	-	-	-	-	-	-	-	-	-	-	-	-	-	-	-	-	-
DBWB-Y		25	-	-	-	-	-	-	-	-	-	-	-	-	-	-	-	-	-	-	-	-	-	-	-	-	-	-	-	-	-	-
Cin max	Chroma input dynamic range	G 34	G SG26 Variable	12	-	9.0	-	-	4.5	-	-	9.0	-	-	-	-	-	-	-	-	-	-	-	-	-	-	-	-	1.0	1.4	VP-P	
\angle R-Y-P	Demodulated phase angle	23A	H SG28 0.2 VP-P	12	-	9.0	-	-	4.5	-	-	9.0	-	-	-	-	-	-	-	-	-	-	-	-	-	-	-	-	90	deg.		
\angle G-Y-P		24A	-	-	-	-	-	-	-	-	-	-	-	-	-	-	-	-	-	-	-	-	-	-	-	-	-	-	-	-	-	
		25A	-	-	-	-	-	-	-	-	-	-	-	-	-	-	-	-	-	-	-	-	-	-	-	-	-	-	-	240	deg.	

* : - Indicates open.

CHROMA SECTION 3

Symbol	Parameter	Test point	Input ()	Test conditions *																Limits			Unit										
				11A	16A	19	21	22A	29	36	38	39	40	42	S19	S19A	S22	S24	S27	S27A	S28	S28A		S35	S36	S39	S42	Min.	Typ.	Max.			
Δ VP-C	Color tracking characteristics	22	F SG22	12	-	9.0	-	-	4.0	-	-	9.0	-	-	-	-	-	-	-	-	-	-	-	-	-	-	-	-	-	-	-	-	-
		25A	G SG26 0dB	12	-	9.0	-	-	4.0	-	-	9.0	-	-	-	-	-	-	-	-	-	-	-	-	-	-	-	-	-	-	-	-	-
SSy	Service switch operation	22	F SG22	-	-	-	-	-	-	-	-	-	-	-	-	-	-	-	-	-	-	-	-	-	-	-	-	-	-	-	100	mVP-P	
SSc		34	G SG26 0dB	12	0	9.0	-	-	4.5	-	-	9.0	-	-	-	-	-	-	-	-	-	-	-	-	-	-	-	-	-	-	100	mVP-P	
SSv		16	-	-	-	-	-	-	-	-	-	-	-	-	-	-	-	-	-	-	-	-	-	-	-	-	-	-	-	-	0.3	VO-P	
CTS	Color tracking switch operation	34	G SG26 0dB	12	-	9.0	-	-	4.5	-	-	9.0	-	-	-	-	-	-	-	-	-	-	-	-	-	-	-	-	3	6	9	dB	
VMS	Video, chroma, muting switch operation	22	F SG17	12	-	9.0	-	-	4.5	-	-	9.0	-	-	-	-	-	-	-	-	-	-	-	-	-	-	-	-	5.6	6.2	6.8	VO-P	
CMSR-Y		23A	-	-	-	-	-	-	-	-	-	-	-	-	-	-	-	-	-	-	-	-	-	-	-	-	-	-	-	-	-	-	mVP-P
CMSG-Y		24A	G SG26 0dB	12	-	9.0	-	-	4.5	-	-	9.0	-	-	-	-	-	-	-	-	-	-	-	-	-	-	-	-	-	-	-	100	mVP-P
CMSB-Y	25A	-	-	-	-	-	-	-	-	-	-	-	-	-	-	-	-	-	-	-	-	-	-	-	-	-	-	-	-	-	-	mVP-P	

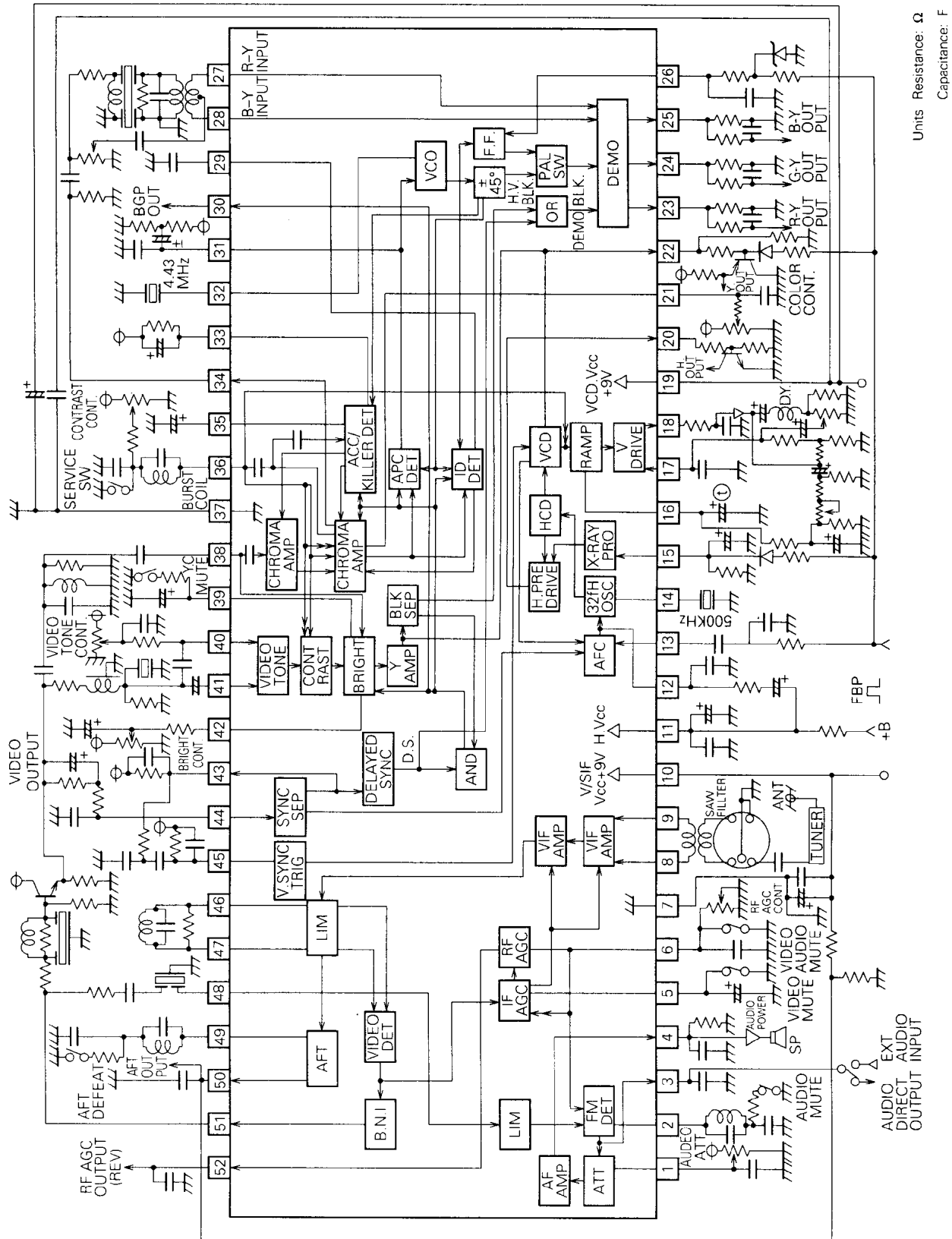
* : - Indicates open.

Electrical characteristics measuring method, input signals, measurement circuits and typical characteristics of this model are the same as those of M51408SP.

M52043SP

PAL-M SYSTEM SINGLE-CHIP COLOR TV SIGNAL PROCESSOR

APPLICATION EXAMPLE



PAL-M SYSTEM SINGLE-CHIP COLOR TV SIGNAL PROCESSOR

DESCRIPTION OF PIN

Pin No.	Name	Peripheral circuit of pins	Pin No.	Name	Peripheral circuit of pins
①	ATT		⑤	IF AGC FILTER	
②	SOUND DET COIL		⑥	RF AGC DELAY ADJ.	
③	SOUND DET OUT		⑦	GND-1 (VIF SIF)	—
④	AF OUT		⑧	VIF IN	
⑨	VIF IN		⑩	Vcc-1 (VIF SIF)	—

PAL-M SYSTEM SINGLE-CHIP COLOR TV SIGNAL PROCESSOR

DESCRIPTION OF PIN (cont.)

Pin No.	Name	Peripheral circuit of pins	Pin No.	Name	Peripheral circuit of pins
⑪	H.Vcc		⑮	X-RAY PROT	
⑫	AFC FILTER		⑯	RAMP	
⑬	AFC FBP IN		⑰	V.FB	
⑭	32fh OSC		⑱	V.OUT	
			⑲	Vcc-2 (VCD)	—

M52043SP

PAL-M SYSTEM SINGLE-CHIP COLOR TV SIGNAL PROCESSOR

DESCRIPTION OF PIN (cont.)

Pin No.	Name	Peripheral circuit of pins	Pin No.	Name	Peripheral circuit of pins
20	H.OUT		25	B-Y OUT	
21	COLOR CONT.		26	F. F DRIVE PULSE IN	
22	-Y OUT		27	R-Y IN	
23	R-Y OUT		28	B-Y IN	
24	G-Y OUT/ COLOR TRACKING SW		29	IDENT FILTER/ NTSC SW/ NTSC TINT	

PAL-M SYSTEM SINGLE-CHIP COLOR TV SIGNAL PROCESSOR

DESCRIPTION OF PIN (cont.)

Pin No.	Name	Peripheral circuit of pins	Pin No.	Name	Peripheral circuit of pins
30	BGP OUT		34	CHROMA OUT	
31	APC FILTER		35	KILLER FILTER	
32	CHROMA OSC		36	CONTRAST CONT. / BURST COIL	
33	ACC FILTER		37	GND-2 (VCD)	---
			38	CHROMA IN	
			39	PEDESTAL CLAMP	

PAL-M SYSTEM SINGLE-CHIP COLOR TV SIGNAL PROCESSOR

DESCRIPTION OF PIN (cont.)

Pin No.	Name	Peripheral circuit of pins	Pin No.	Name	Peripheral circuit of pins
40	VIDEO TONE CONT.		44	SYNC IN	
41	Y IN		45	V.SYNC IN	
42	BRIGHTNESS CONT.		46	VIDEO DET COIL	
43	SYNC OUT		47	VIDEO DET COIL	
			48	SIF IN	

PAL-M SYSTEM SINGLE-CHIP COLOR TV SIGNAL PROCESSOR

DESCRIPTION OF PIN (cont.)

Pin No.	Name	Peripheral circuit of pins
49	AFT COIL	
50	AFT OUT	
51	VIDEO OUT	
52	RF AGC OUT	