

# M54679FP

## 2-Phase Stepper Motor Driver

REJ03F0047-0100Z

Rev.1.0

Sep.19.2003

---

### Description

The M54679FP is a semiconductor integrated circuit designed for stepper motor driver used to Printer, PPC and Facsimile.

### Features

- Wide supply voltage sphere (10 – 35V).
- Bipolar, constant current PWM function.
- (Top side transistors PWM function, maximum current is 0.8 Amps).
- Few external components.  
(This IC can be operated with 1 capacitor and 2 resistances).
- 4 phases input style (include the protection function of output through current).
- Output current change function (2 bits, 4 type currents).
- Thermal protection circuit.
- Include flywheel diodes.

### Application

Printer, PPC and Facsimile.

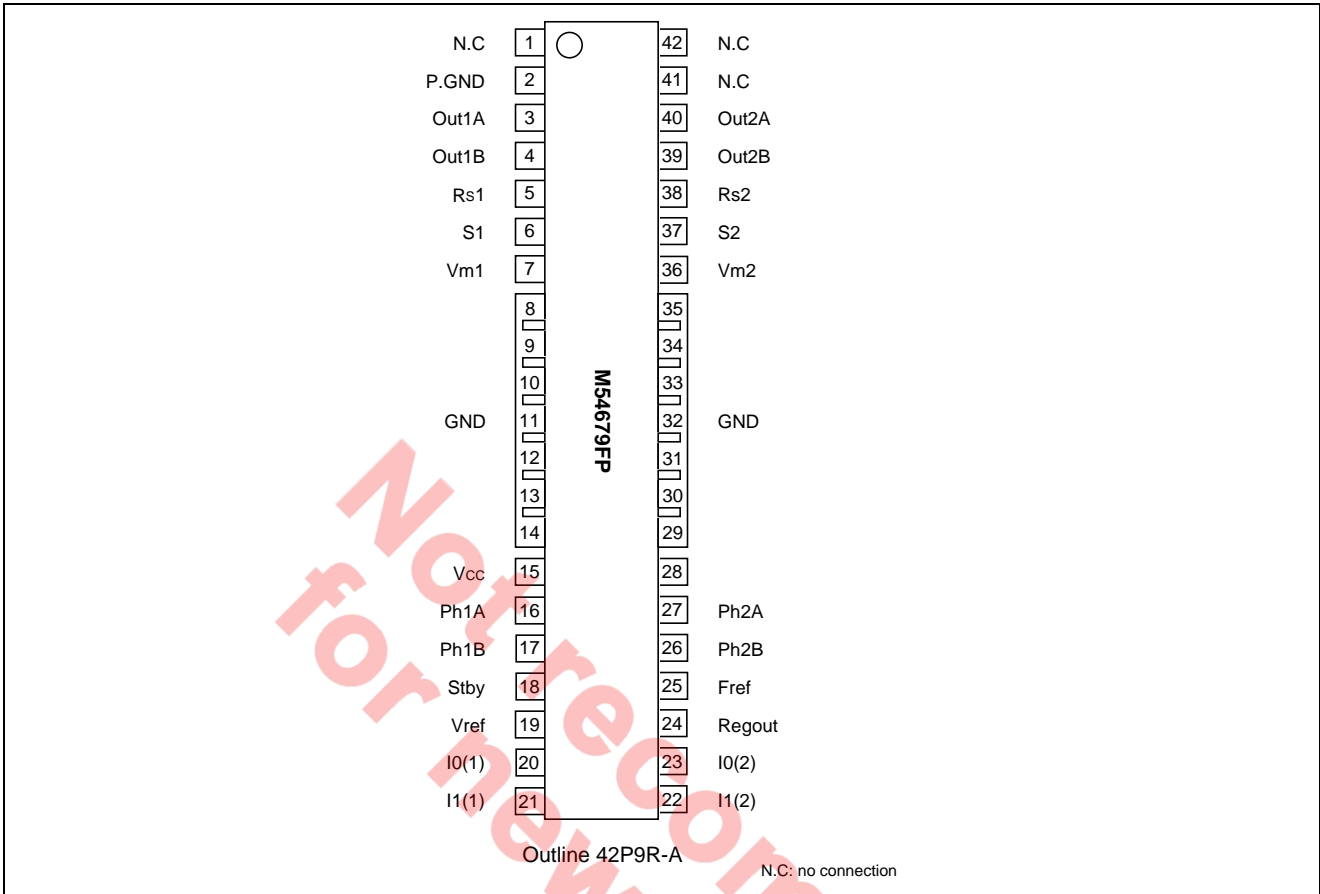
### Function

The M54679FP is a semiconductor integrated circuit which can drive two phase stepper motor.

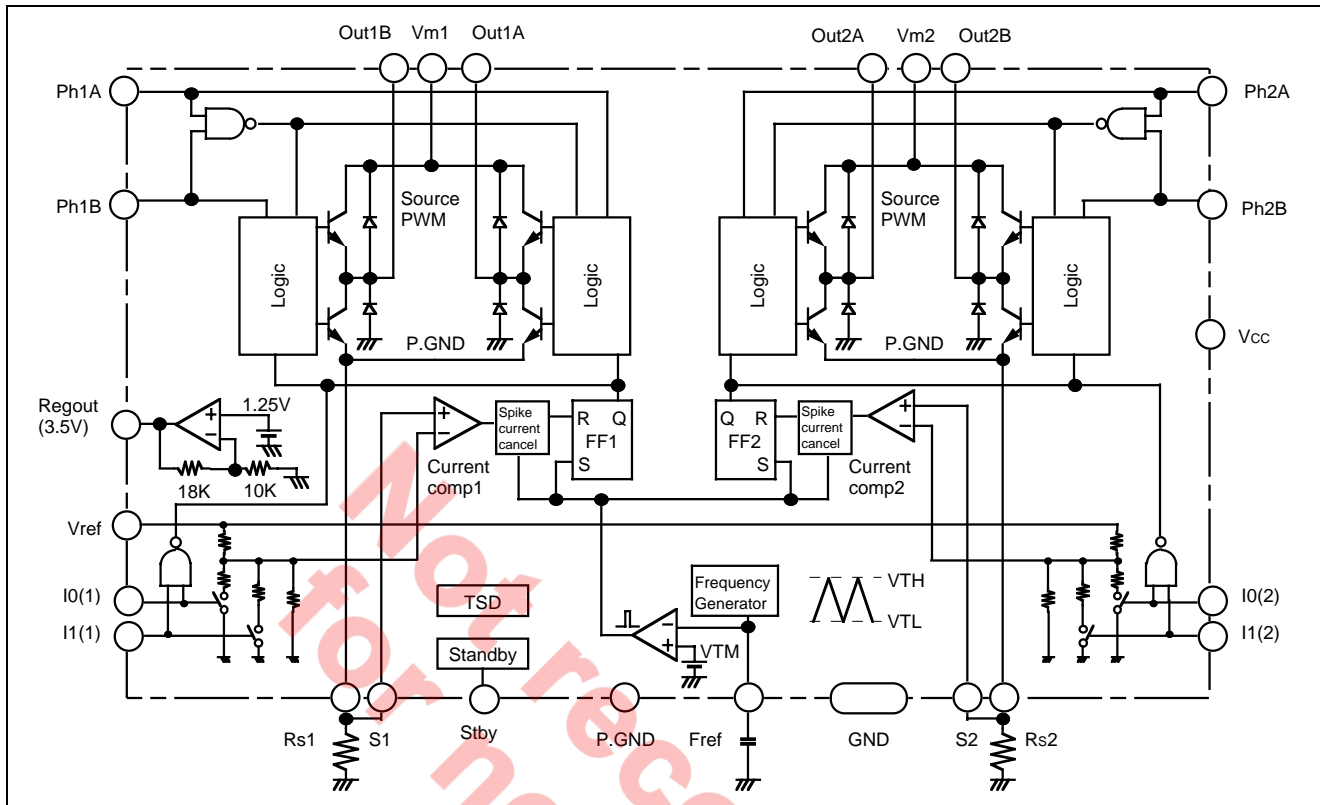
It can control the direction of motor current and output motor current (4 steps) by I0, I1 terminals.

Also, it can drive the two phase bipolar stepper motor by one IC as it include two current control circuits.

Pin Configuration



## Block Diagram



## Pin Function

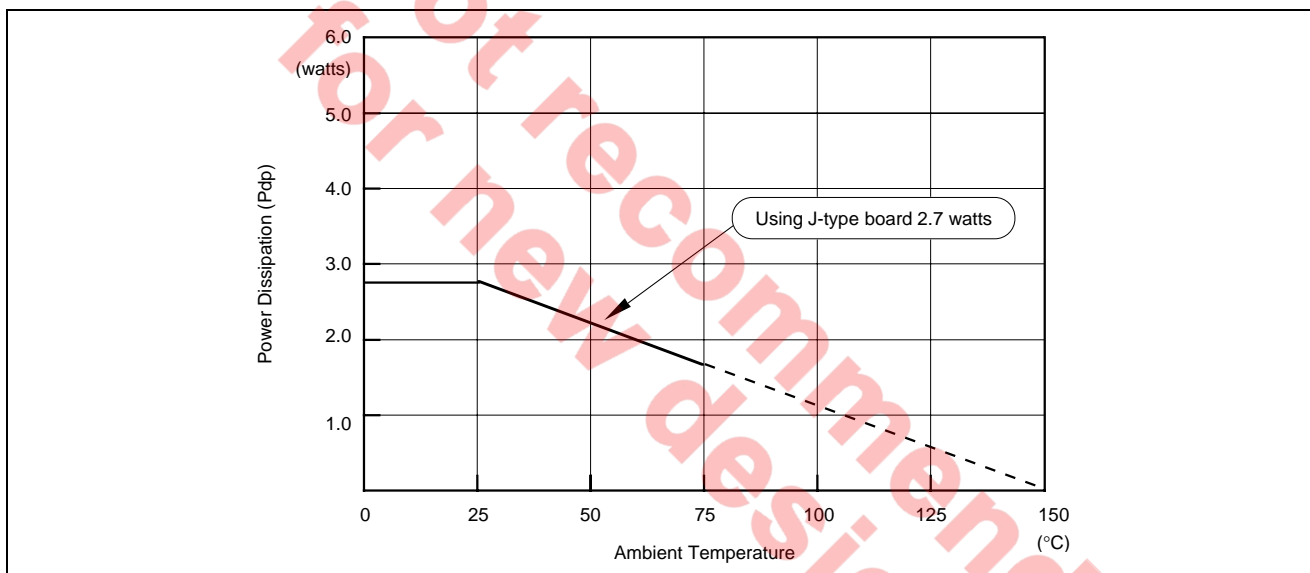
Terminal	Symbol	Function
Motor Supply Voltage	Vm1, Vm2	Power supply for motor drive.
Output terminals	Out1A, Out1B, Out2A, Out2B	Motor drive output terminals.
Current sensor	Rs1, Rs2	Output current sensing resistor (Rs) connection terminals.
Power supply	VCC	Control circuit power supply.
Phase input	Ph1A, Ph1B, Ph2A, Ph2B	Output current direction switch terminals.
Output current change	I0(1), I1(1), I0(2), I1(2)	Output current change (100%, 70%, 33%, 0%) terminals.
Standby input	Stby	Standby input (L: Standby, H or open: motor function) terminal.
Sense inputs	S1, S2	Input voltage terminal of comparators.
Vref input	Vref	Reference voltage due to setting output current.
Output of voltage stabilizer	Regout	Output of voltage stabilizer (3.5V).
A capacitor for oscillator	Fref	A capacitor due to PWM carrier frequency.
Power GND	P.GND	The GND terminal of bottom side flywheel diodes.

## Absolute Maximum Ratings

(Ta = 25°C unless otherwise noted.)

Parameter	Symbol	Ratings	Units	Condition
Motor supply voltage	Vm	-0.3 – 37	V	
Output current	Iout	±0.8	A	Per one phase
Power supply	VCC	-0.3 – 7.0	V	
Logic input voltage	Vlogic	-0.3 – VCC	V	Ph1A, Ph1B, Ph2A, Ph2B, I0, I1, Stby
Analog input voltage	Vanalog	-0.3 – VCC	V	Vref, S1, S2
Output current sensing	VRs	1.5	V	Rs1, Rs2
Power dissipation	Pd	2.7	W	Under board mount condition.
Thermal derating	Kθ	46	°C/W	
Junction temperature	Tj	150	°C	
Operating temperature	Topr	-20 – 75	°C	
Storage temperature	Tstg	-40 – 125	°C	

## Thermal Derating



## Recommended Operating Conditions

Parameter	Symbol	Limits			Unit
		Min.	Typ.	Max.	
Power supply	Vcc	4.5	5.0	5.5	V
Motor supply voltage	Vm	10	—	35	V
Output current	Iout	50	—	800	mA
Rising time of logic inputs	tPLH	—	—	2.0	μS
Falling time of logic inputs	tPHL	—	—	2.0	μS
PWM ON time	Ton	5.0	—	50	μS
PWM OFF time	Toff	5.0	—	50	μS
Thermal shut down	TSDon	—	160	—	°C

## Electrical characteristics

(Ta = 25°C, VCC = 5.0V, VM = 24V unless otherwise noted.)

## Control Circuit

Parameter	Symbol	Limits			Unit	Conditions
		Min.	Typ.	Max.		
Supply current	ICC1	39	56	73	mA	Stby = H, Ph*A = H, Ph*B = L (Bridge ON)
	ICC2	20	27	40		Stby = H, Ph*A = Ph*B (Bridge OFF)
	ICC3	2.0	4.0	6.0		Stby = L (Standby condition)
Logic input voltage (Ph, I1, I0, Stby terminals)	Vlogic H	2.4	—	Vcc	V	
	Vlogic L	0	—	0.6		
Phase terminal input current	I(Ph) H	—	—	10	μA	Vin = 5V
	I(Ph) L	-20	-3.0	—		Vin = 0V
I0, I1 terminals input current	I(I0, I1) H	—	—	10	μA	Vin = 5V
	I(I0, I1) L	-400	-300	—		Vin = 0V
Standby terminal input current	I(Stby) H	—	—	10	μA	Vin = 5V
	I(Stby) L	-400	-300	5.0		Vin = 0V
Current sensing Comparators input current	I(S)	-20	-3.0	—	μA	S1 or S2 terminals input current (S1 or S2 = 0V, Vref = 5V).
Current sensing Comparators input voltage sphere	V(S)	0	—	VCH(H)	V	S1 or S2 terminal input voltage sphere
Vref input current	I(Vref)	—	500	650	μA	Input current of Vref (Vref = 5V, I0 = I1 = 0V)
Vref input voltage sphere	V(Vref)	0	—	Vcc	V	
Oscillation frequency of Fref	FC	20	30	40	kHz	C = 390pF, Fref terminal oscillation
Voltage stabilizer output	Vreg	3.35	3.50	3.65	V	Iout = -0.1mA – +1mA
Current sensing Comparators threshold voltage	VCH(H)	475	500	525	mV	I0 = L, I1 = L, Vref = 5V (Vref/10*100%)
	VCH(M)	325	350	375	mV	I0 = H, I1 = L, Vref = 5V (Vref/10*70%)
	VCH(L)	139	155	171	mV	I0 = L, I1 = H, Vref = 5V (Vref/10*33%)

## Output Circuit

(Ta = 25°C, VCC = 5.0V, VM = 24V unless otherwise noted.)

Parameter	Symbol	Limits			Unit	Conditions
		Min.	Typ.	Max.		
Output saturation voltage	Vsat	—	1.6	2.2	V	Top and Bottom at Load current 0.6A.
Output leakage current	Ileak	-100	—	+100	μA	
VF of flywheel diode (Top)	VF(H)	—	1.7	2.3	V	If = 0.6A
VF of flywheel diode (Bottom)	VF(L)	—	1.1	1.5	V	If = 0.6A
Turn ON delay of output	tdon	—	0.5	2.0	μS	Time until output become ON since S > Vref
Turn OFF delay of output	tdoff	—	2.0	3.5	μS	Time until output become OFF since S < Vref

## Function Explanation

### 1. Ph inputs make a decision the output function.

Ph*A	Ph*B	Out*A	Out*B
L	L	OFF	OFF
H	L	H	L
L	H	L	H
H	H	OFF	OFF

\*: 1 or 2

The outputs shut off under Ph\*A and Ph\*B High condition at the same time.

### 2. Output current and terminal of output current setting.

I0	I1	Output current ratio	Current sensing comparators threshold voltage (Vref=5V)
L	L	100%	500mV
H	L	70%	350mV
L	H	30%	155mV
H	H	0%	—

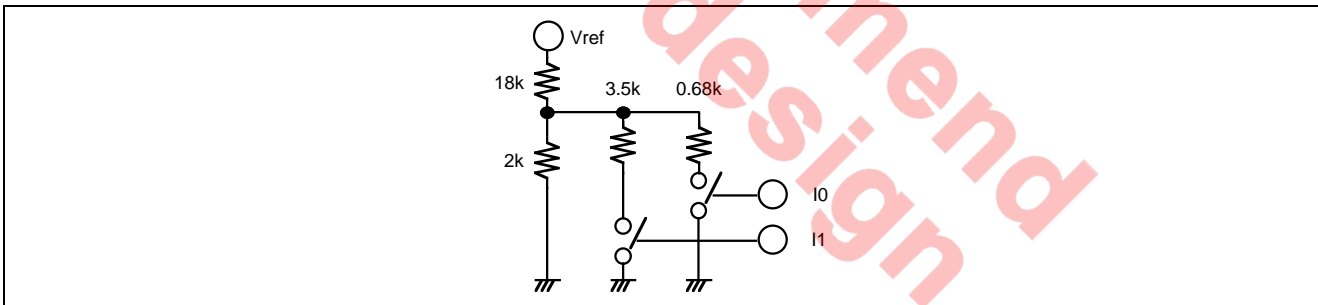
### 3. Equivalent circuit of Vref terminal.

The equivalent circuit of Vref terminal is shown in right circuit.

As Vref terminal needs typical 500 $\mu$ A input current, consider this value when Vref voltage is set.

### 4. Current sensing comparators.

The current sensing comparators compare the voltage (VRs) of current sensing resistor and threshold voltage ( $V_{CH}$ ) of this comparators, then if  $VRs > V_{CH}$ , the comparators output change and shut off the output.



**5. Oscillation circuit.**

External capacitor is charged and discharged by the constant current and a triangular waveform appears to Vref terminal.

The waveform voltage level is shown in right figure.

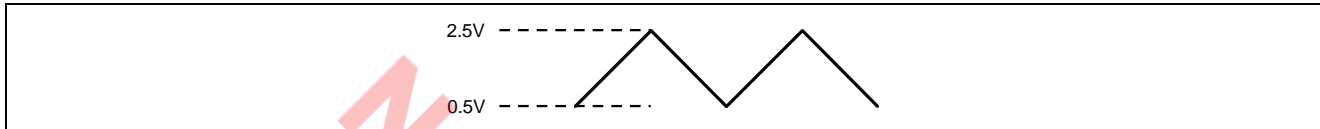
This triangular waveform is a carrier frequency of PWM circuit.

The carrier frequency change if this external capacitor value is changed.

M54679FP is designed that the oscillation frequency is 30kHz

if the external capacitor value is 390pF.

The oscillation frequency is in inverse proportion to the value of a external capacitor.

**6. Spike current cancellation.**

Output power transistors go to ON, then the spike current appears on the rs (current sensing) in a short time and this is caused by the internal delay time.

M54679FP has the cancellation circuit of the spike current as the current sensing comparators do not cause error functions.

So, the function of current sensing comparators are shut off during 2ms since the output power transistors go to ON.

**7. Ph signal delay circuit.**

M54679FP has a delay time of 3.0μs until output H-bridge power stage go to ON since Ph signal change Low to high.

This delay time is enough short time for the frequency (plus rate) of Ph signal and there is no problem in the normal function.

**8. Rs and S1 or S2 terminal.**

If S1 or S2 terminal (non-inverted input of the current sensing comparators) is connected the nearest position of current sensing resistor, the error of the current sensing by means of wire resistance on the board will be decreased.

**9. Voltage stabilizer.**

M54679FP has a voltage stabilizer of 3.5V.

The reference voltage (Vref) can connect the output (Regout) of voltage stabilizer directly.

In this case, the current capability of the output of voltage stabilizer is 1.0mA (source current), 0.1mA (sink current).

**10. Setting output current.**

As the output circuit of M54679FP is designed by the bipolar type NPN transistors, the current that go through the motor coil is smaller about 15mA (typical) than the current that go through the current sensing resistor.

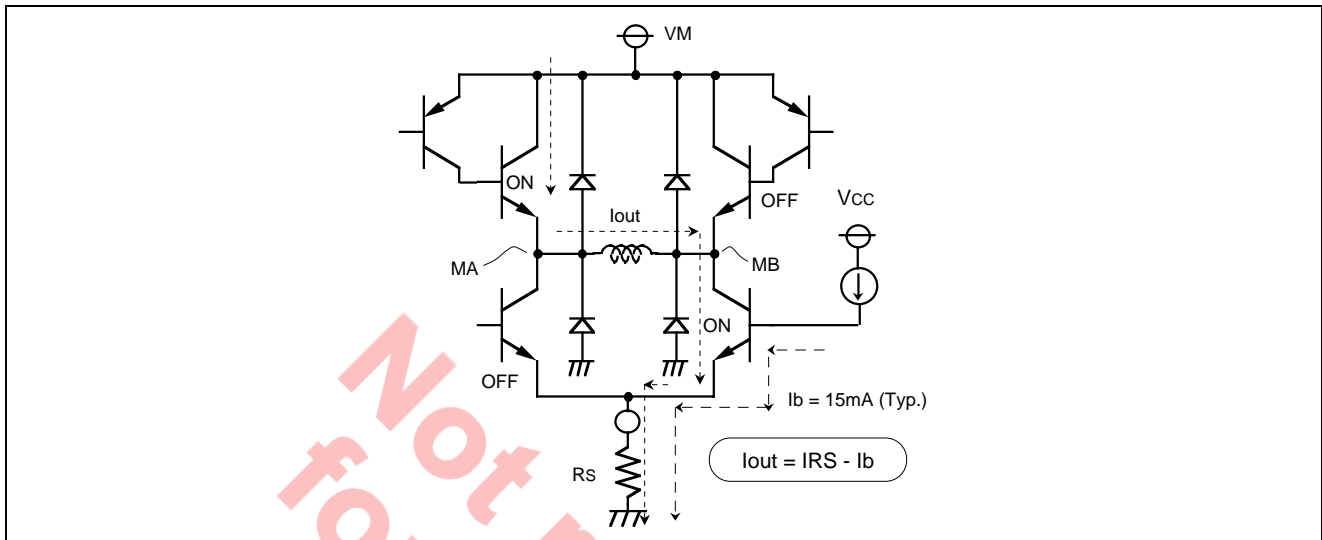
This is caused by the base current of the power transistors.

Therefore, be aware this base current when the output current is set.

### 11. Power GND terminal.

Power GND is connected the anodes of flywheel diodes of bottom side.

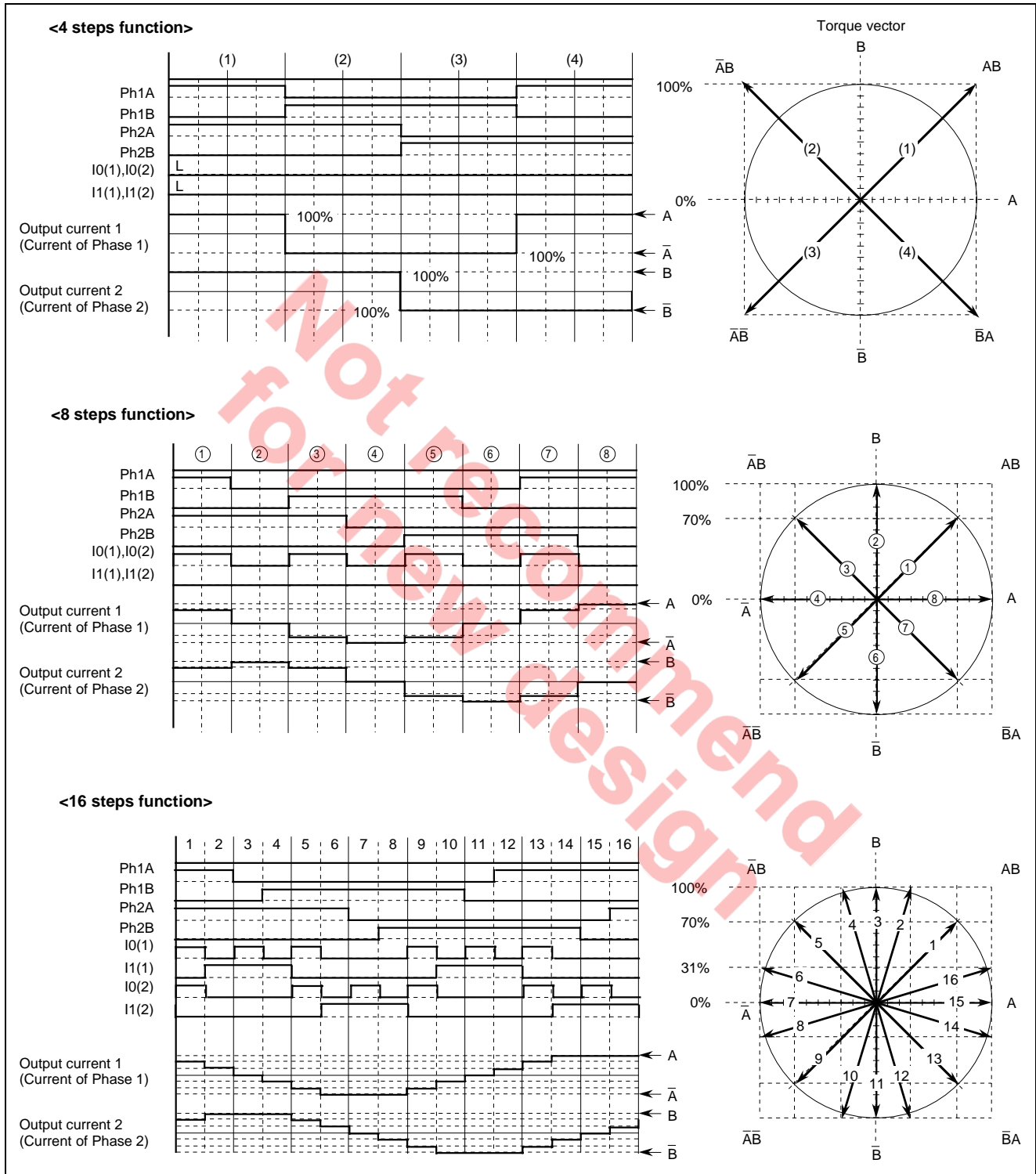
When the output H-bridge power stage goes to ON, as the flyback current go through this GND terminal, minimize the wire resistor of this GND on the board.



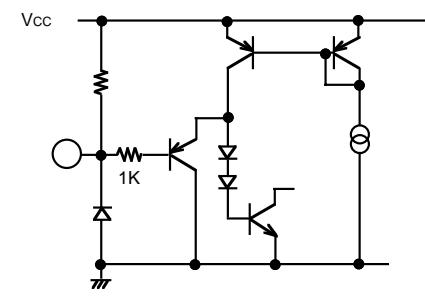
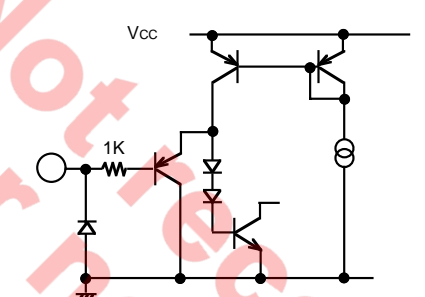
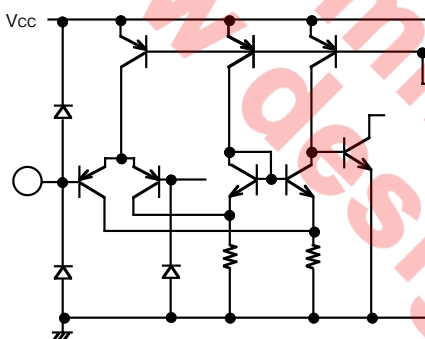
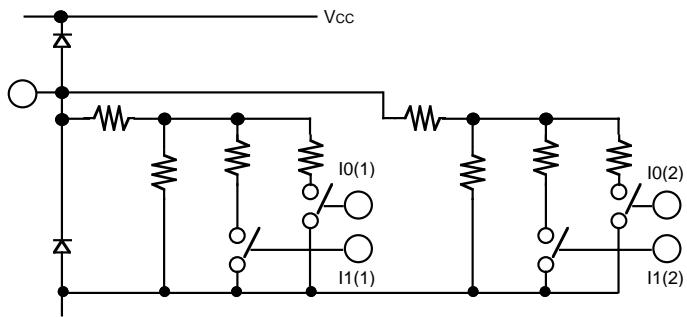


12. Output current timing chart under Ph inputs and I0, I1 output conditions.

Under output current wave forms show the current that a motor driver is going to control, so these do not show the actual current wave forms.



13. Inputs terminals.

Symbol	Equivalent circuit of the circumstance of input terminals.	Remarks
<p>⑱ pin: Stby                      ⑳ pin: I0(1)                      ㉑ pin: I1(1)                      ㉓ pin: I0(2)                      ㉔ pin: I1(2)</p>		
<p>⑯ pin: Ph1A                      ⑰ pin: Ph1B                      ㉗ pin: Ph2A                      ㉘ pin: Ph2B</p>		
<p>⑥ pin: S1                      ⑳ pin: S2</p>		
<p>⑲ pin: Vref</p>		



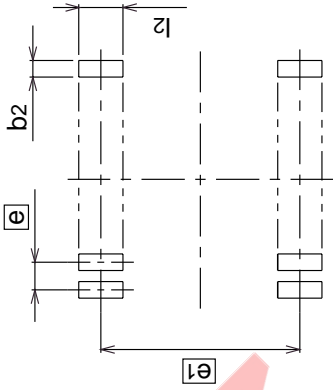
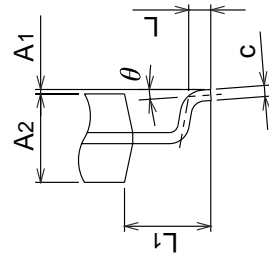
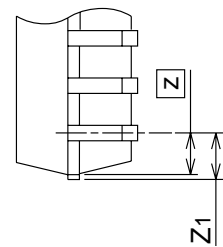
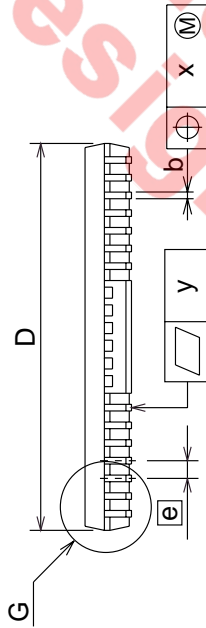
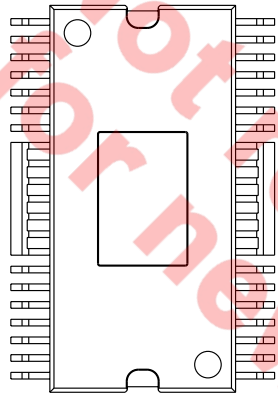
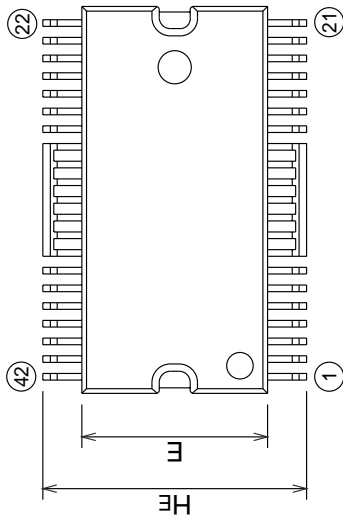
Package Dimensions

**42P9R-A**

(MMP)

**Plastic 42pin 450mil HSSOP**

EIAJ Package Code HSSOP42-P-450-0.8	JEDEC Code —	Weight(g) —	Lead Material Cu Alloy
--	-----------------	----------------	---------------------------



Recommended Mount Pad

Symbol	Dimension in Millimeters		
	Min	Nom	Max
A	—	—	2.2
A1	0	0.1	0.2
A2	—	2.0	—
b	0.27	0.32	0.37
c	0.23	0.25	0.3
D	17.3	17.5	17.7
E	8.2	8.4	8.6
e	—	0.8	—
HE	11.63	11.93	12.23
L	0.3	0.5	0.7
L1	—	1.765	—
Z	—	0.75	—
Z1	—	—	0.9
x	—	—	0.16
y	—	—	0.1
θ	0°	—	10°
b2	—	0.5	—
e1	—	11.43	—
l2	1.27	—	—

## Renesas Technology Corp. Sales Strategic Planning Div. Nippon Bldg., 2-6-2, Ohte-machi, Chiyoda-ku, Tokyo 100-0004, Japan

Keep safety first in your circuit designs!

1. Renesas Technology Corp. puts the maximum effort into making semiconductor products better and more reliable, but there is always the possibility that trouble may occur with them. Trouble with semiconductors may lead to personal injury, fire or property damage.  
Remember to give due consideration to safety when making your circuit designs, with appropriate measures such as (i) placement of substitutive, auxiliary circuits, (ii) use of nonflammable material or (iii) prevention against any malfunction or mishap.

Notes regarding these materials

1. These materials are intended as a reference to assist our customers in the selection of the Renesas Technology Corp. product best suited to the customer's application; they do not convey any license under any intellectual property rights, or any other rights, belonging to Renesas Technology Corp. or a third party.
2. Renesas Technology Corp. assumes no responsibility for any damage, or infringement of any third-party's rights, originating in the use of any product data, diagrams, charts, programs, algorithms, or circuit application examples contained in these materials.
3. All information contained in these materials, including product data, diagrams, charts, programs and algorithms represents information on products at the time of publication of these materials, and are subject to change by Renesas Technology Corp. without notice due to product improvements or other reasons. It is therefore recommended that customers contact Renesas Technology Corp. or an authorized Renesas Technology Corp. product distributor for the latest product information before purchasing a product listed herein.  
The information described here may contain technical inaccuracies or typographical errors.  
Renesas Technology Corp. assumes no responsibility for any damage, liability, or other loss rising from these inaccuracies or errors.  
Please also pay attention to information published by Renesas Technology Corp. by various means, including the Renesas Technology Corp. Semiconductor home page (<http://www.renesas.com>).
4. When using any or all of the information contained in these materials, including product data, diagrams, charts, programs, and algorithms, please be sure to evaluate all information as a total system before making a final decision on the applicability of the information and products. Renesas Technology Corp. assumes no responsibility for any damage, liability or other loss resulting from the information contained herein.
5. Renesas Technology Corp. semiconductors are not designed or manufactured for use in a device or system that is used under circumstances in which human life is potentially at stake. Please contact Renesas Technology Corp. or an authorized Renesas Technology Corp. product distributor when considering the use of a product contained herein for any specific purposes, such as apparatus or systems for transportation, vehicular, medical, aerospace, nuclear, or undersea repeater use.
6. The prior written approval of Renesas Technology Corp. is necessary to reprint or reproduce in whole or in part these materials.
7. If these products or technologies are subject to the Japanese export control restrictions, they must be exported under a license from the Japanese government and cannot be imported into a country other than the approved destination.  
Any diversion or reexport contrary to the export control laws and regulations of Japan and/or the country of destination is prohibited.
8. Please contact Renesas Technology Corp. for further details on these materials or the products contained therein.



### RENESAS SALES OFFICES

<http://www.renesas.com>

**Renesas Technology America, Inc.**  
450 Holger Way, San Jose, CA 95134-1368, U.S.A  
Tel: <1> (408) 382-7500 Fax: <1> (408) 382-7501

**Renesas Technology Europe Limited.**  
Dukes Meadow, Millboard Road, Bourne End, Buckinghamshire, SL8 5FH, United Kingdom  
Tel: <44> (1628) 585 100, Fax: <44> (1628) 585 900

**Renesas Technology Europe GmbH**  
Dornacher Str. 3, D-85622 Feldkirchen, Germany  
Tel: <49> (89) 380 70 0, Fax: <49> (89) 929 30 11

**Renesas Technology Hong Kong Ltd.**  
7/F., North Tower, World Finance Centre, Harbour City, Canton Road, Hong Kong  
Tel: <852> 2265-6688, Fax: <852> 2375-6836

**Renesas Technology Taiwan Co., Ltd.**  
FL 10, #99, Fu-Hsing N. Rd., Taipei, Taiwan  
Tel: <886> (2) 2715-2888, Fax: <886> (2) 2713-2999

**Renesas Technology (Shanghai) Co., Ltd.**  
26/F., Ruijin Building, No.205 Maoming Road (S), Shanghai 200020, China  
Tel: <86> (21) 6472-1001, Fax: <86> (21) 6415-2952

**Renesas Technology Singapore Pte. Ltd.**  
1, Harbour Front Avenue, #06-10, Keppel Bay Tower, Singapore 098632  
Tel: <65> 6213-0200, Fax: <65> 6278-8001