

MITSUBISHI LSIs
M5M5V108CFP,VP,RV,KV,KR -70HI, -10HI,
-70XI, -10XI
1048576-BIT(131072-WORD BY 8-BIT)CMOS STATIC RAM

DESCRIPTION

The M5M5V108CFP,VP,RV,KV,KR are a 1048576-bit CMOS static RAM organized as 131072 word by 8-bit which are fabricated using high-performance quadruple-polysilicon and double metal CMOS technology. The use of thin film transistor (TFT) load cells and CMOS periphery result in a high density and low power static RAM.

They are low standby current and low operation current and ideal for the battery back-up application.

The M5M5V108CVP,RV,KV,KR are packaged in a 32-pin thin small outline package which is a high reliability and high density surface mount device(SMD). Two types of devices are available. M5M5V108CVP,KV(normal lead bend type package), M5M5V108CRV,KR(reverse lead bend type package).Using both types of devices, it becomes very easy to design a printed circuit board.

FEATURES

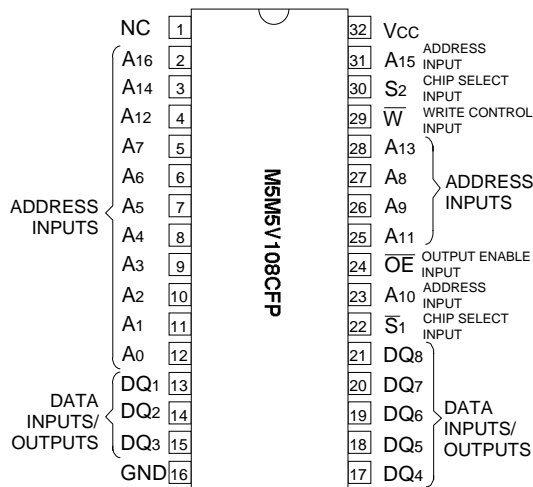
Type name	Access time (max)	VCC	Power supply current	
			Active (1MHz) (max)	stand-by (max)
M5M5V108CFP,VP,RV,KV,KR-70HI	70ns	2.7~3.6V	5mA	24µA
M5M5V108CFP,VP,RV,KV,KR-10HI	100ns			
M5M5V108CFP,VP,RV,KV,KR-70XI	70ns			9.6µA
M5M5V108CFP,VP,RV,KV,KR-10XI	100ns			

- Low stand-by current 0.1µA (typ.)
- Directly TTL compatible : All inputs and outputs
- Easy memory expansion and power down by S₁,S₂
- Data hold on +2V power supply
- Three-state outputs : OR - tie capability
- OE prevents data contention in the I/O bus
- Common data I/O
- Package
 - M5M5V108CFP 32pin 525mil SOP
 - M5M5V108CVP,RV 32pin 8 X 20 mm² TSOP
 - M5M5V108CKV,KR 32pin 8 X 13.4 mm² TSOP

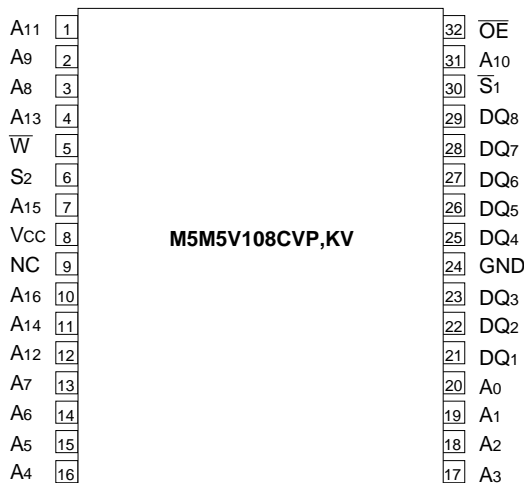
APPLICATION

Small capacity memory units

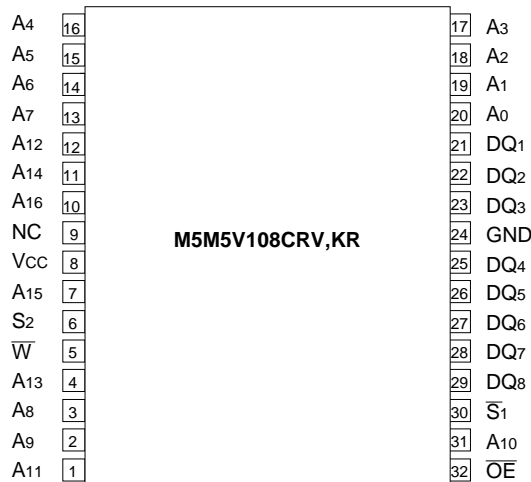
PIN CONFIGURATION (TOP VIEW)



Outline 32P2M-A



Outline 32P3H-E(VP), 32P3K-B(KV)



Outline 32P3H-F(RV), 32P3K-C(KR)

NC : NO CONNECTION

mitsubishi LSIs
M5M5V108CFP,VP,RV,KV,KR -70HI, -10HI,
-70XI, -10XI
1048576-BIT(131072-WORD BY 8-BIT)CMOS STATIC RAM

FUNCTION

The operation mode of the M5M5V108C series are determined by a combination of the device control inputs \bar{S}_1, S_2, \bar{W} and \bar{OE} . Each mode is summarized in the function table.

A write cycle is executed whenever the low level \bar{W} overlaps with the low level \bar{S}_1 and the high level S_2 . The address must be set up before the write cycle and must be stable during the entire cycle. The data is latched into a cell on the trailing edge of \bar{W}, \bar{S}_1 or S_2 , whichever occurs first, requiring the set-up and hold time relative to these edge to be maintained. The output enable input \bar{OE} directly controls the output stage. Setting the \bar{OE} at a high level, the output stage is in a high-impedance state, and the data bus contention problem in the write cycle is eliminated.

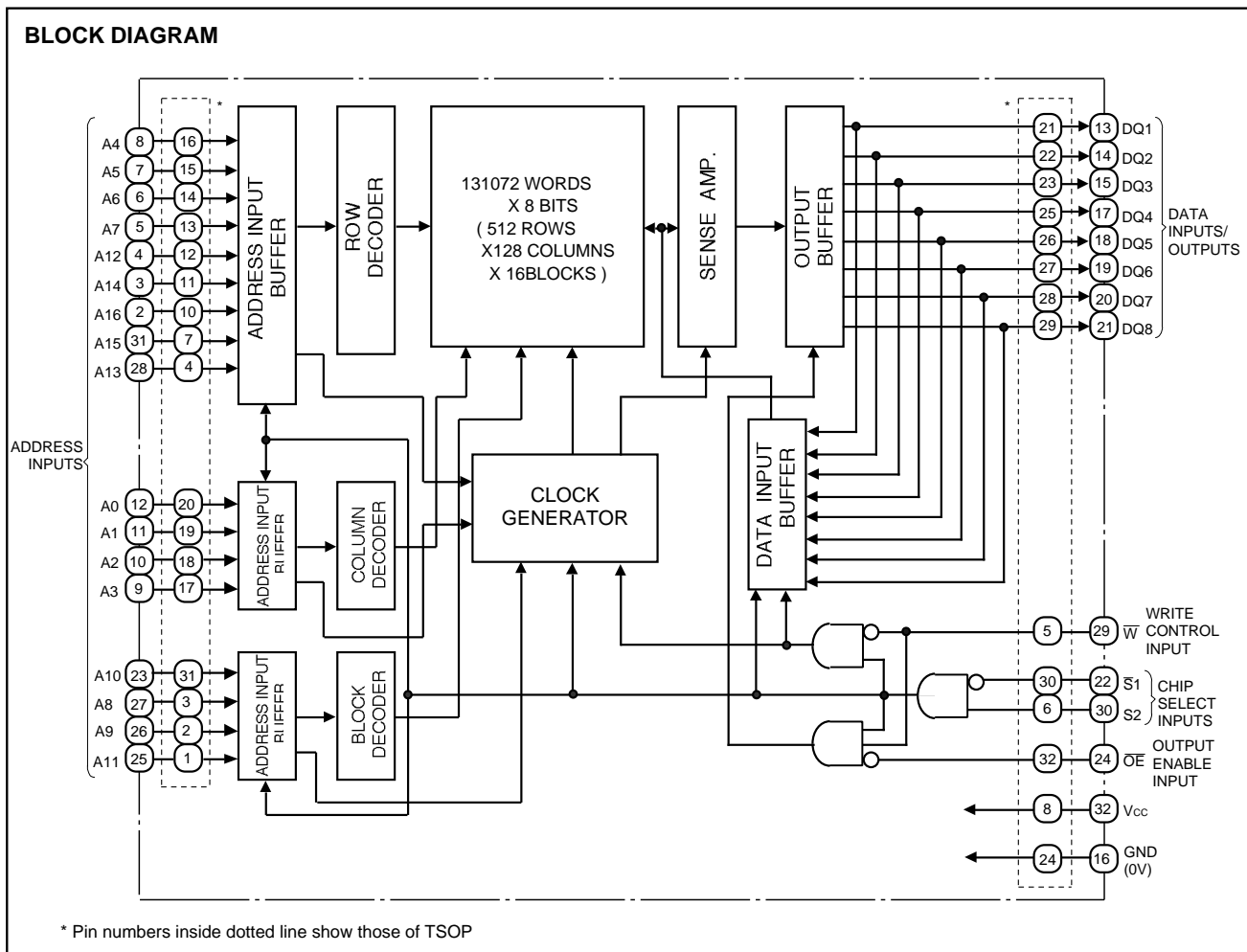
A read cycle is executed by setting \bar{W} at a high level and \bar{OE} at a low level while \bar{S}_1 and S_2 are in an active state ($\bar{S}_1=L, S_2=H$).

When setting \bar{S}_1 at a high level or S_2 at a low level, the chip are in a non-selectable mode in which both reading and writing are disabled. In this mode, the output stage is in a high-impedance state, allowing OR-tie with other chips and memory expansion by \bar{S}_1 and S_2 . The power supply current is reduced as low as the stand-by current which is specified as I_{CC3} or I_{CC4} , and the memory data can be held at +2V power supply, enabling battery back-up operation during power failure or power-down operation in the non-selected mode.

FUNCTION TABLE

\bar{S}_1	S_2	\bar{W}	\bar{OE}	Mode	DQ	I _{cc}
X	L	X	X	Non selection	High-impedance	Stand-by
H	X	X	X	Non selection	High-impedance	Stand-by
L	H	L	X	Write	Din	Active
L	H	H	L	Read	Dout	Active
L	H	H	H		High-impedance	Active

BLOCK DIAGRAM



MITSUBISHI LSIs
M5M5V108CFP,VP,RV,KV,KR -70HI, -10HI,
-70XI, -10XI
1048576-BIT(131072-WORD BY 8-BIT)CMOS STATIC RAM

ABSOLUTE MAXIMUM RATINGS

Symbol	Parameter	Conditions	Ratings	Unit
V _{CC}	Supply voltage	With respect to GND	- 0.3*~4.6	V
V _I	Input voltage		- 0.3*~V _{CC} + 0.3 (Max 4.6)	V
V _O	Output voltage		0~V _{CC}	V
P _d	Power dissipation	T _a =25°C	700	mW
T _{opr}	Operating temperature		- 40~85	°C
T _{stg}	Storage temperature		- 65~150	°C

* -3.0V in case of AC (Pulse width 30ns)

DC ELECTRICAL CHARACTERISTICS (T_a=- 40~85°C, V_{CC}=2.7~3.6V, unless otherwise noted)

Symbol	Parameter	Test conditions	Limits			Unit
			Min	Typ	Max	
V _{IH}	High-level input voltage		2.0		V _{CC} + 0.3	V
V _{IL}	Low-level input voltage		-0.3*		0.6	V
V _{OH1}	High-level output voltage 1	I _{OH} = - 0.5mA	2.4			V
V _{OH2}	High-level output voltage 2	I _{OH} = - 0.05mA	V _{CC} - 0.5			V
V _{OL}	Low-level output voltage	I _{OL} = 2mA			0.4	V
I _I	Input current	V _I =0~V _{CC}			±1	μA
I _O	Output current in off-state	$\bar{S}_1=V_{IH}$ or $S_2=V_{IL}$ or $\bar{OE}=V_{IH}$ V _{I/O} =0~V _{CC}			±1	μA
I _{CC1}	Active supply current	$\bar{S}_1=V_{IL}, S_2=V_{IH}$, other inputs=V _{IH} or V _{IL} Output-open(duty 100%)	70ns		35	mA
			100ns		30	
I _{CC2}	Active supply current		1MHz		5	
I _{CC3}	Stand-by current	1) S ₂ 0.2V other inputs=0~V _{CC} 2) \bar{S}_1 V _{CC} -0.2V, S ₂ V _{CC} -0.2V other inputs=0~V _{CC}	-HI	~25°C	1.2	μA
				~40°C	3.6	
				~70°C	12	
				~85°C	24	
			-XI	~25°C	0.6	μA
				~40°C	1.8	
				~70°C	4.8	
				~85°C	9.6	
I _{CC4}	Stand-by current	$\bar{S}_1=V_{IH}$ or $S_2=V_{IL}$, other inputs=0~V _{CC}			0.33	mA

* -3.0V in case of AC (Pulse width 30ns)

CAPACITANCE (T_a=- 40~85°C, unless otherwise noted)

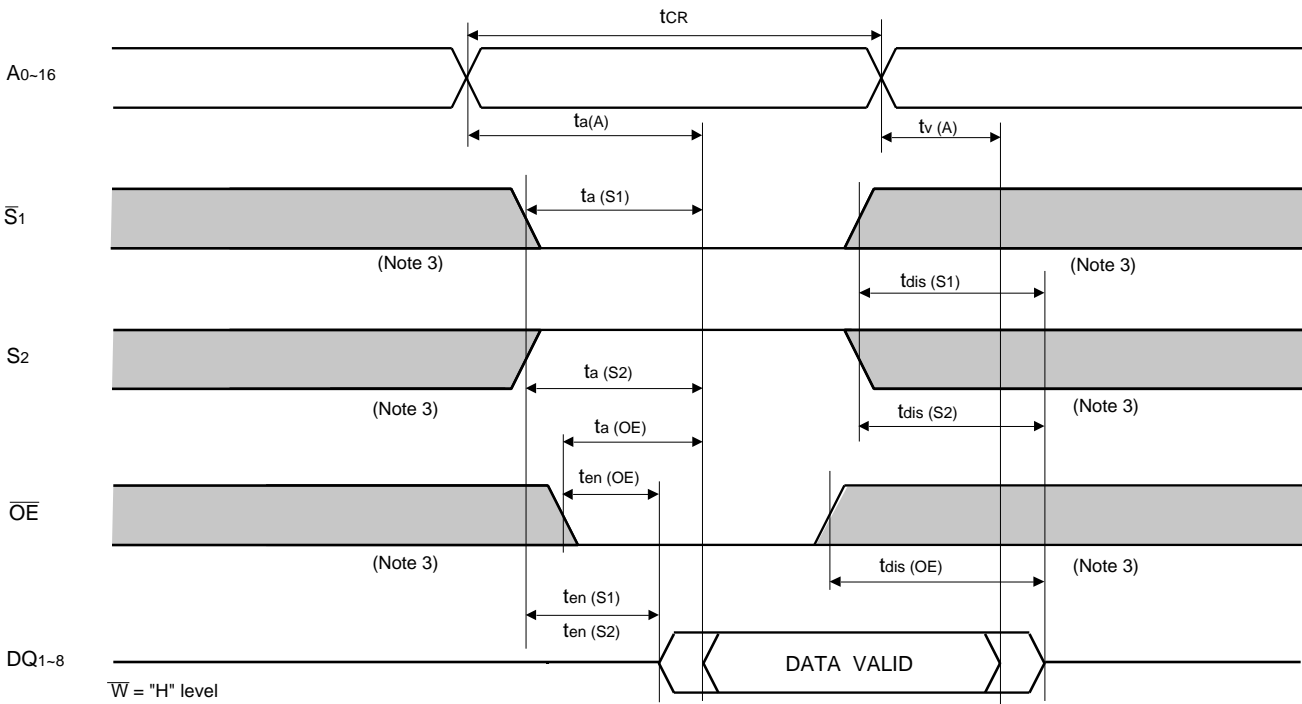
Symbol	Parameter	Test conditions	Limits			Unit
			Min	Typ	Max	
C _I	Input capacitance	V _I =GND, V _I =25mVrms, f=1MHz			6	pF
C _O	Output capacitance	V _O =GND, V _O =25mVrms, f=1MHz			10	pF

Note 1: Direction for current flowing into an IC is positive (no mark).

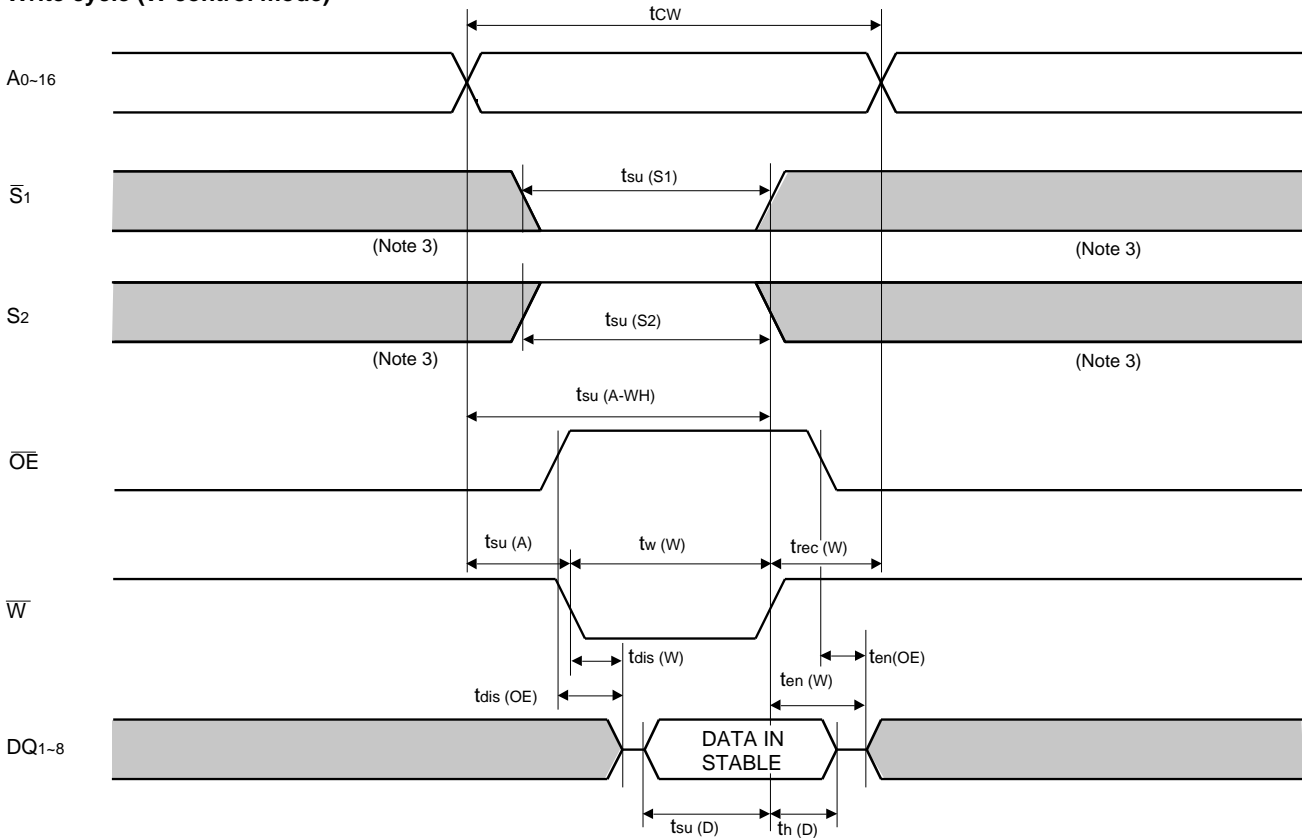
2: Typical value is V_{CC} = 3V, T_a = 25°C

(4) TIMING DIAGRAMS

Read cycle

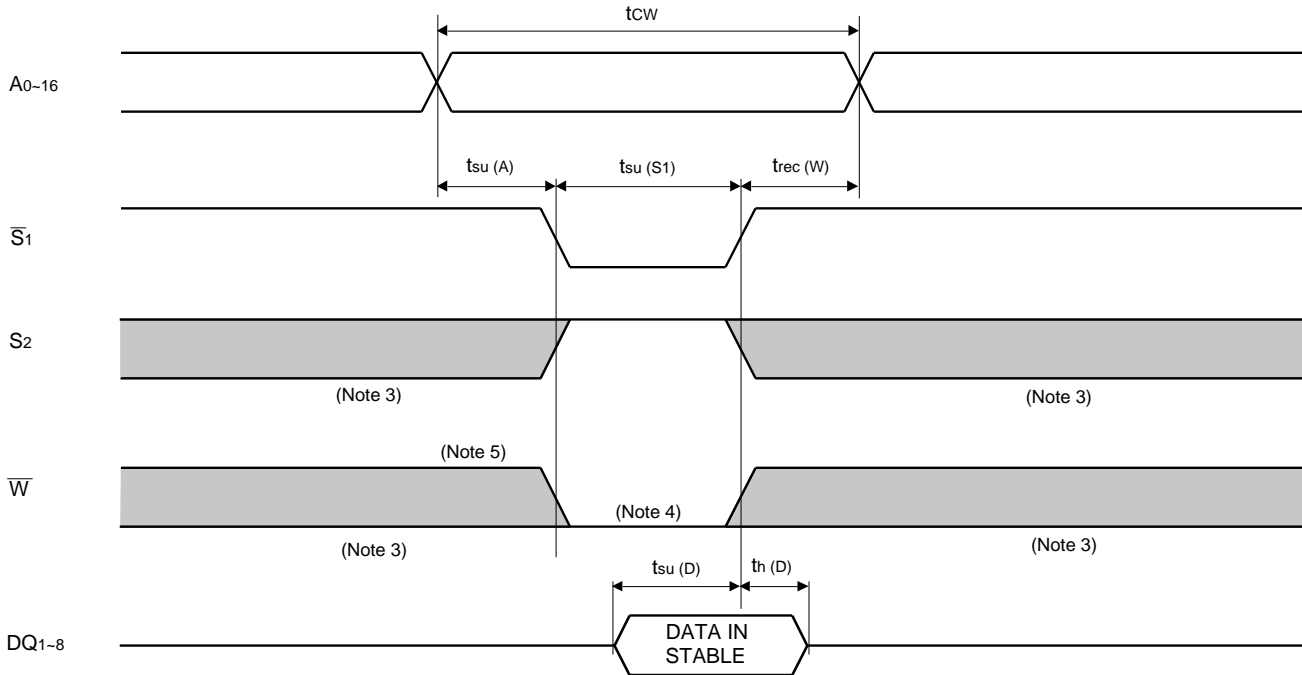


Write cycle (\bar{W} control mode)

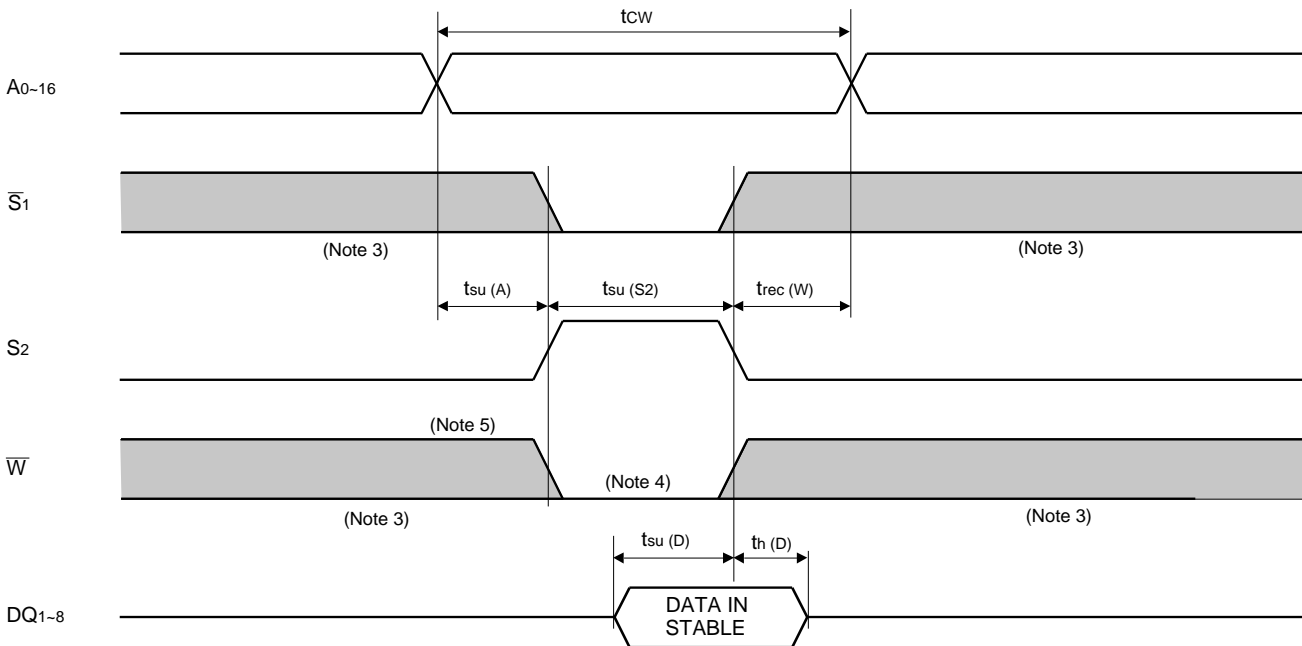


MITSUBISHI LSIs
**M5M5V108CFP,VP,RV,KV,KR -70HI, -10HI,
 -70XI, -10XI**
1048576-BIT(131072-WORD BY 8-BIT)CMOS STATIC RAM

Write cycle (\overline{S}_1 control mode)



Write cycle (S2 control mode)



- Note 3: Hatching indicates the state is "don't care".
 4: Writing is executed while S2 high overlaps \overline{S}_1 and \overline{W} low.
 5: When the falling edge of \overline{W} is simultaneously or prior to the falling edge of \overline{S}_1 or rising edge of S2, the outputs are maintained in the high impedance state.
 6: Don't apply inverted phase signal externally when DQ pin is output mode.

mitsubishi LSIs
**M5M5V108CFP,VP,RV,KV,KR -70HI, -10HI,
-70XI, -10XI**
1048576-BIT(131072-WORD BY 8-BIT)CMOS STATIC RAM

POWER DOWN CHARACTERISTICS

(1) ELECTRICAL CHARACTERISTICS (Ta= -40~85°C, unless otherwise noted)

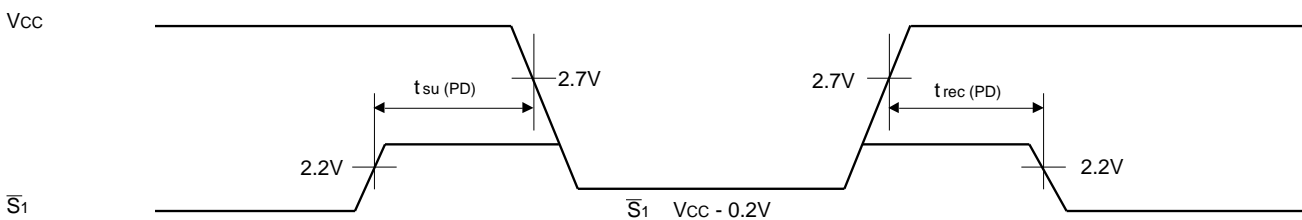
Symbol	Parameter	Test conditions	Limits			Unit	
			Min	Typ	Max		
V _{CC (PD)}	Power down supply voltage		2			V	
V _{I (S1)}	Chip select input \bar{S}_1		2.0	V _{CC(PD)}		V	
V _{I (S2)}	Chip select input S ₂	2.7V V _{CC(PD)}			0.6	V	
		V _{CC(PD)} <2.7V			0.2	V	
I _{CC (PD)}	Power down supply current	V _{CC} = 3V 1) S ₂ 0.2V, other inputs = 0~3V 2) \bar{S}_1 V _{CC} -0.2V, S ₂ V _{CC} -0.2V other inputs = 0~3V	-HI	~25°C		1	μA
				~40°C		3	
				~70°C		10	
				~85°C		20	
			-XI	~25°C		0.5	μA
				~40°C		1.5	
				~70°C		4	
				~85°C		8	

(2) TIMING REQUIREMENTS (Ta= -40~85°C, unless otherwise noted)

Symbol	Parameter	Test conditions	Limits			Unit
			Min	Typ	Max	
t _{su (PD)}	Power down set up time		0			ns
t _{rec (PD)}	Power down recovery time		5			ms

(3) POWER DOWN CHARACTERISTICS

\bar{S}_1 control mode



S₂ control mode

