

M5M5V216ATP,RT

2097152-BIT (131072-WORD BY 16-BIT) CMOS STATIC RAM

DESCRIPTION

The M5M5V216A is a family of low voltage 2-Mbit static RAMs organized as 131,072-words by 16-bit, fabricated by Mitsubishi's high-performance 0.25µm CMOS technology.

The M5M5V216A is suitable for memory applications where a simple interfacing, battery operating and battery backup are the important design objectives.

M5M5V216ATP, RT are packaged in a 44-pin 400mil thin small outline package. M5M5V216ATP (normal lead bend type package), M5M5V216ART (reverse lead bend type package), both types are very easy to design a printed circuit board.

From the point of operating temperature, the family is divided into three versions; "Standard", "W-version", and "I-version". Those are summarized in the part name table below.

FEATURES

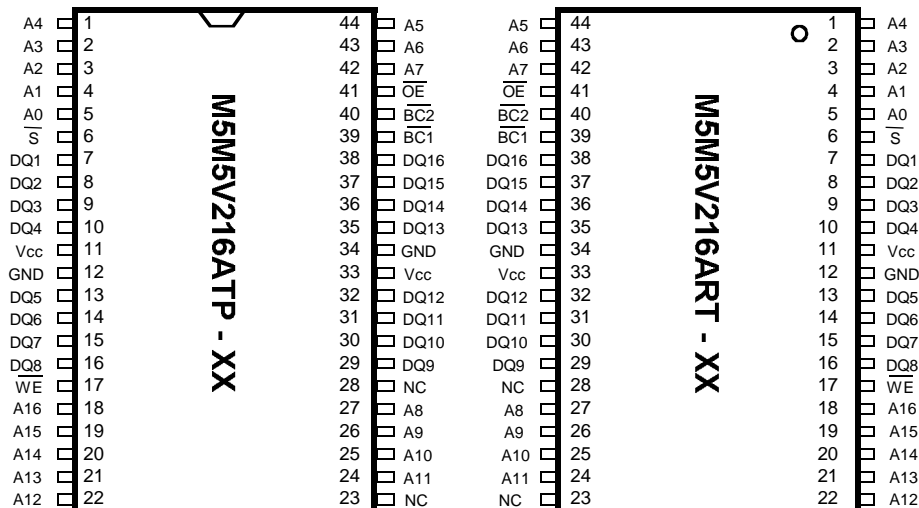
- Single +2.7~+3.6V power supply
- Small stand-by current: 0.3µA(3V,typ.)
- No clocks, No refresh
- Data retention supply voltage=2.0V to 3.6V
- All inputs and outputs are TTL compatible.
- Easy memory expansion by \overline{S} , BC1 and BC2
- Common Data I/O
- Three-state outputs: OR-tie capability
- \overline{OE} prevents data contention in the I/O bus
- Process technology: 0.25µm CMOS
- Package: 44 pin 400mil TSOP (II)

PART NAME TABLE

Version, Operating temperature	Part name	Power Supply	Access time max.	Stand-by current I _{cc} (PD), V _{cc} =3.0V						Active current I _{cc} 1 (3.0V, typ.)
				typical *		Ratings (max.)				
				25°C	40°C	25°C	40°C	70°C	85°C	
Standard 0 ~ +70°C	M5M5V216ATP, RT -55L	2.7 ~ 3.6V	55ns(@ 2.7V) / 50ns(@3.3V)	---	---	---	---	20µA	---	45mA (10MHz) 5mA (1MHz)
	M5M5V216ATP, RT -70L		70ns(@ 2.7V) / 65ns(@3.3V)	---	---	---	---	---		
	M5M5V216ATP, RT -55H	2.7 ~ 3.6V	55ns(@ 2.7V) / 50ns(@3.3V)	0.3µA	1µA	1µA	3µA	8µA	---	
	M5M5V216ATP, RT -70H		70ns(@ 2.7V) / 65ns(@3.3V)	---	---	---	---	---	---	
W-version -20 ~ +85°C	M5M5V216ATP, RT -55LW	2.7 ~ 3.6V	55ns(@ 2.7V) / 50ns(@3.3V)	---	---	---	---	20µA	50µA	
	M5M5V216ATP, RT -70LW		70ns(@ 2.7V) / 65ns(@3.3V)	---	---	---	---	---	---	
	M5M5V216ATP, RT -55HW	2.7 ~ 3.6V	55ns(@ 2.7V) / 50ns(@3.3V)	0.3µA	1µA	1µA	3µA	8µA	24µA	
	M5M5V216ATP, RT -70HW		70ns(@ 2.7V) / 65ns(@3.3V)	---	---	---	---	---	---	
I-version -40 ~ +85°C	M5M5V216ATP, RT -55L I	2.7 ~ 3.6V	55ns(@ 2.7V) / 50ns(@3.3V)	---	---	---	---	20µA	50µA	
	M5M5V216ATP, RT -70L I		70ns(@ 2.7V) / 65ns(@3.3V)	---	---	---	---	---	---	
	M5M5V216ATP, RT -55H I	2.7 ~ 3.6V	55ns(@ 2.7V) / 50ns(@3.3V)	0.3µA	1µA	1µA	3µA	8µA	24µA	
	M5M5V216ATP, RT -70H I		70ns(@ 2.7V) / 65ns(@3.3V)	---	---	---	---	---	---	

PIN CONFIGURATION

* "typical" parameter is sampled, not 100% tested.



Pin	Function
A0 ~ A16	Address input
DQ1 ~ DQ16	Data input / output
\overline{S}	Chip select input
\overline{W}	Write control input
\overline{OE}	Output inable input
BC1	Lower Byte (DQ1 ~ 8)
BC2	Upper Byte (DQ9 ~ 16)
Vcc	Power supply
GND	Ground supply

Outline: TP : 44P3W - H
 RT : 44P3W - J
 NC: No Connection

M5M5V216ATP,RT

2097152-BIT (131072-WORD BY 16-BIT) CMOS STATIC RAM

FUNCTION

The M5M5V216ATP,RT is organized as 131,072-words by 16-bit. These devices operate on a single +2.7~3.6V power supply, and are directly TTL compatible to both input and output. Its fully static circuit needs no clocks and no refresh, and makes it useful.

The operation mode are determined by a combination of the device control inputs $\overline{BC1}$, $\overline{BC2}$, \overline{S} , \overline{W} and \overline{OE} . Each mode is summarized in the function table.

A write operation is executed whenever the low level \overline{W} overlaps with the low level $\overline{BC1}$ and/or $\overline{BC2}$ and the low level \overline{S} . The address(A0~A16) must be set up before the write cycle and must be stable during the entire cycle.

A read operation is executed by setting \overline{W} at a high level and \overline{OE} at a low level while $\overline{BC1}$ and/or $\overline{BC2}$ and \overline{S} are in an active state($\overline{S}=L$).

When setting $\overline{BC1}$ at the high level and other pins are in an active stage, upper-byte are in a selectable mode in which both reading and writing are enabled, and lower-byte are in a non-selectable mode. And when setting $\overline{BC2}$ at a high level and other pins are in an active stage, lower-byte are in a selectable mode and upper-byte are in a non-selectable mode.

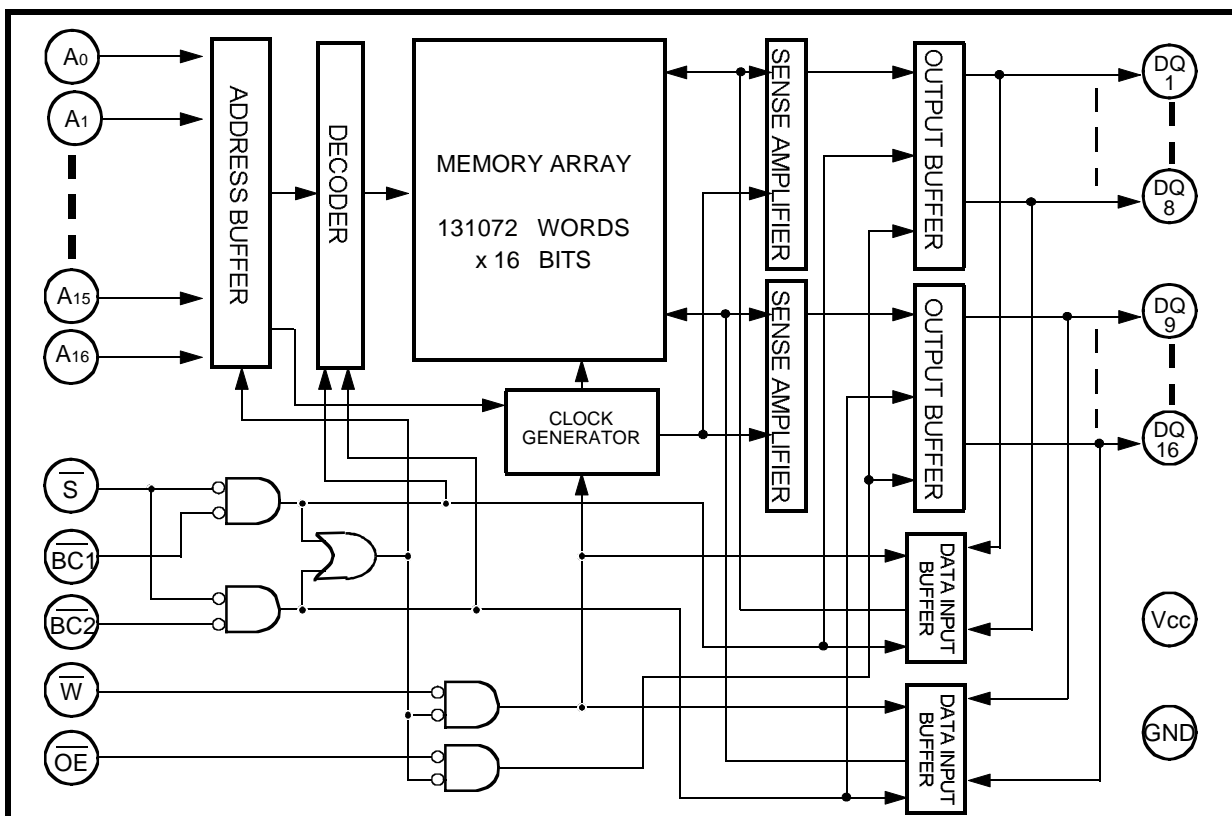
When setting $\overline{BC1}$ and $\overline{BC2}$ at a high level or \overline{S} at a high level, the chips are in a non-selectable mode in which both reading and writing are disabled. In this mode, the output stage is in a high-impedance state, allowing OR-tie with other chips and memory expansion by $\overline{BC1}$, $\overline{BC2}$ and \overline{S} .

The power supply current is reduced as low as 0.3 μ A(25 $^{\circ}$ C, typical), and the memory data can be held at +2V power supply, enabling battery back-up operation during power failure or power-down operation in the non-selected mode.

FUNCTION TABLE

\overline{S}	$\overline{BC1}$	$\overline{BC2}$	\overline{W}	\overline{OE}	Mode	DQ1-8	DQ9-16	Icc
H	X	X	X	X	Non selection	High-Z	High-Z	Standby
L	H	H	X	X	Non selection	High-Z	High-Z	Standby
L	L	H	L	X	Write	Din	High-Z	Active
L	L	H	H	L	Read	Dout	High-Z	Active
L	L	H	H	H	————	High-Z	High-Z	Active
L	H	L	L	X	Write	High-Z	Din	Active
L	H	L	H	L	Read	High-Z	Dout	Active
L	H	L	H	H	————	High-Z	High-Z	Active
L	L	L	L	X	Write	Din	Din	Active
L	L	L	H	L	Read	Dout	Dout	Active
L	L	L	H	H	————	High-Z	High-Z	Active

BLOCK DIAGRAM



M5M5V216ATP,RT

2097152-BIT (131072-WORD BY 16-BIT) CMOS STATIC RAM

ABSOLUTE MAXIMUM RATINGS

Symbol	Parameter	Conditions	Ratings	Units
V _{CC}	Supply voltage	With respect to GND	-0.5* ~ +4.6	V
V _I	Input voltage	With respect to GND	-0.5* ~ V _{CC} + 0.5	
V _O	Output voltage	With respect to GND	0 ~ V _{CC}	
P _d	Power dissipation	T _a =25°C	700	mW
T _a	Operating temperature	Standard (-L, -H)	0 ~ +70	°C
		W-version (-LW, -HW)	-20 ~ +85	
		I-version (-LI, -HI)	-40 ~ +85	
T _{stg}	Storage temperature		-65 ~ +150	°C

* -3.0V in case of AC (Pulse width ≤ 30ns)

DC ELECTRICAL CHARACTERISTICS

(V_{CC}=2.7 ~ 3.6V, unless otherwise noted)

Symbol	Parameter	Conditions	Limits			Units		
			Min	Typ	Max			
V _{IH}	High-level input voltage		2.0		V _{CC} +0.3V	V		
V _{IL}	Low-level input voltage		-0.3*		0.6			
V _{OH1}	High-level output voltage 1	I _{OH} = -0.5mA	2.4					
V _{OH2}	High-level output voltage 2	I _{OH} = -0.05mA	V _{CC} -0.5V					
V _{OL}	Low-level output voltage	I _{OL} =2mA			0.4			
I _I	Input leakage current	V _I =0 ~ V _{CC}			±1	μA		
I _O	Output leakage current	$\overline{BC}1$ and $\overline{BC}2=V_{IH}$ or $\overline{S}=V_{IH}$ or $\overline{OE}=V_{IH}$, V _{I/O} =0 ~ V _{CC}			±1	μA		
I _{CC1}	Active supply current (AC, MOS level)	$\overline{BC}1$ and $\overline{BC}2 \leq 0.2V$, $\overline{S} \leq 0.2V$ other inputs $\leq 0.2V$ or $\geq V_{CC}-0.2V$ Output - open (duty 100%)	f=10MHz	-	45	60	mA	
			f=1MHz	-	5	15		
I _{CC2}	Active supply current (AC, TTL level)	$\overline{BC}1$ and $\overline{BC}2=V_{IL}$, $\overline{S}=V_{IL}$ other pins =V _{IH} or V _{IL} Output - open (duty 100%)	f=10MHz	-	45	60	mA	
			f=1MHz	-	5	15		
I _{CC3}	Stand by supply current (AC, MOS level)	< 1 > $\overline{S} \geq V_{CC} - 0.2V$, other inputs = 0 ~ V _{CC}	-LW, -LI	+70 ~ +85°C	-	-	60	μA
			-L, -LW, -LI	+70°C	-	-	25	
			-HW, -HI	+70 ~ +85°C	-	-	30	
			-H, -HW, -HI	+40 ~ +70°C	-	-	10	
				+25 ~ +40°C	-	1	5	
				0 ~ +25°C	-	0.3	2	
				-20 ~ +25°C	-	0.3	2	
I _{CC4}	Stand by supply current (AC, TTL level)	$\overline{BC}1$ and $\overline{BC}2=V_{IH}$, $\overline{S}=V_{IL}$ or $\overline{S}=V_{IH}$ Other inputs=0 ~ V _{CC}				0.5	mA	

Note 1: Direction for current flowing into IC is indicated as positive (no mark)

* -3.0V in case of AC (Pulse width ≤ 30ns)

Note 2: Typical value is for V_{CC}=3.0V and T_a=25°C

CAPACITANCE

(V_{CC}=2.7 ~ 3.6V, unless otherwise noted)

Symbol	Parameter	Conditions	Limits			Units
			Min	Typ	Max	
C _I	Input capacitance	V _I =GND, V _I =25mVrms, f=1MHz			8	pF
C _O	Output capacitance	V _O =GND, V _O =25mVrms, f=1MHz			10	

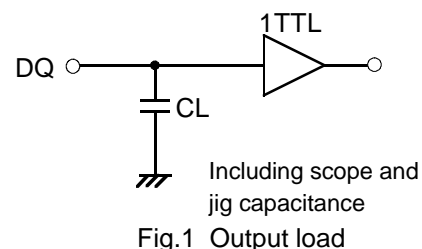
M5M5V216ATP,RT

2097152-BIT (131072-WORD BY 16-BIT) CMOS STATIC RAM

AC ELECTRICAL CHARACTERISTICS (V_{CC}=2.7 ~ 3.6V, unless otherwise noted)

(1) TEST CONDITIONS

Supply voltage	2.7V~3.6V
Input pulse	V _{IH} =2.2V, V _{IL} =0.4V
Input rise time and fall time	5ns
Reference level	V _{OH} =V _{OL} =1.5V Transition is measured ±500mV from steady state voltage.(for t _{en} , t _{dis})
Output loads	Fig.1, CL=30pF CL=5pF (for t _{en} , t _{dis})



(2) READ CYCLE

Symbol	Parameter	Limits				Units
		M5M5V216ATP,RT - 55		M5M5V216ATP,RT - 70		
		Min	Max	Min	Max	
t _{CR}	Read cycle time	55		70		ns
t _{a(A)}	Address access time		55		70	ns
t _{a(S)}	Chip select access time		55		70	ns
t _{a(BC1)}	Byte control 1 access time		55		70	ns
t _{a(BC2)}	Byte control 2 access time		55		70	ns
t _{a(OE)}	Output enable access time		30		35	ns
t _{dis(S)}	Output disable time after \bar{S} high		20		25	ns
t _{dis(BC1)}	Output disable time after BC1 high		20		25	ns
t _{dis(BC2)}	Output disable time after BC2 high		20		25	ns
t _{dis(OE)}	Output disable time after OE high		20		25	ns
t _{en(S)}	Output enable time after \bar{S} low	10		10		ns
t _{en(BC1)}	Output enable time after $\bar{BC1}$ low	10		10		ns
t _{en(BC2)}	Output enable time after $\bar{BC2}$ low	10		10		ns
t _{en(OE)}	Output enable time after \bar{OE} low	5		5		ns
t _{v(A)}	Data valid time after address	10		10		ns

(3) WRITE CYCLE

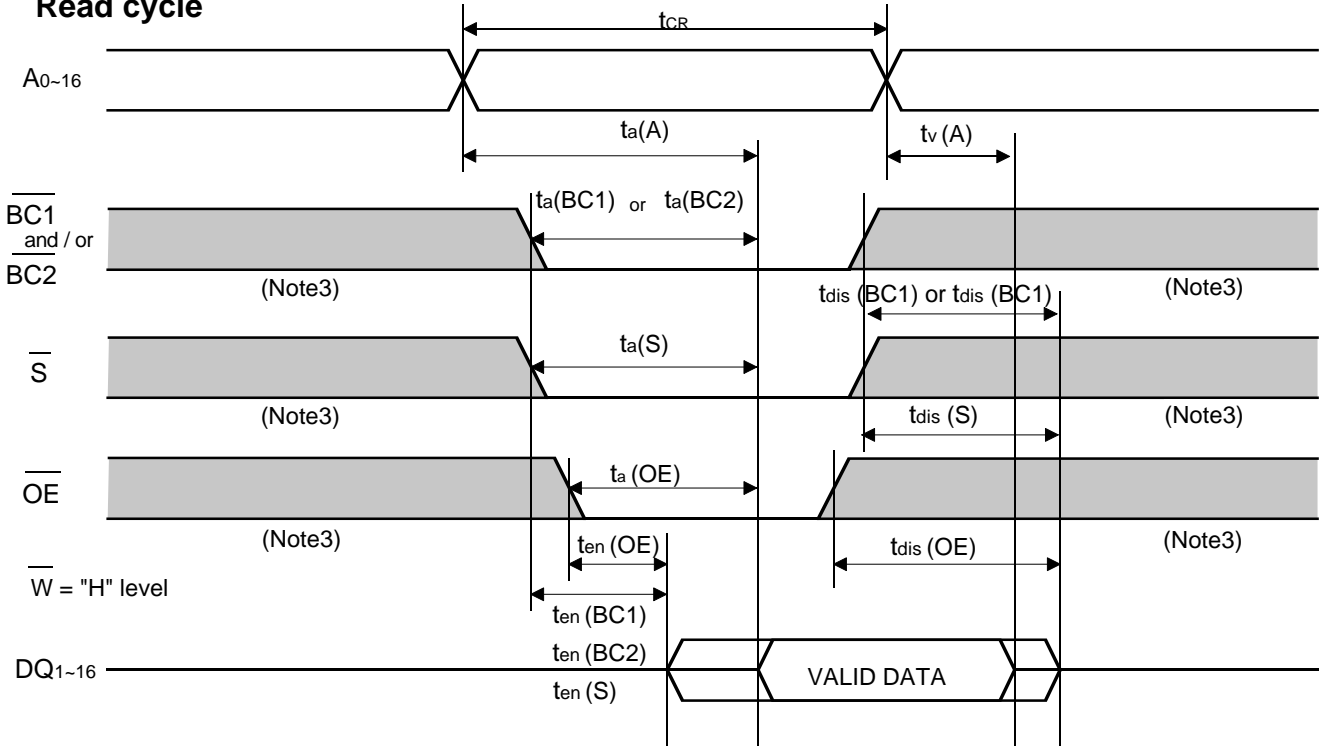
Symbol	Parameter	Limits				Units
		M5M5V216ATP,RT - 55		M5M5V216ATP,RT - 70		
		Min	Max	Min	Max	
t _{cw}	Write cycle time	55		70		ns
t _{w(W)}	Write pulse width	45		55		ns
t _{su(A)}	Address setup time	0		0		ns
t _{su(A-WH)}	Address setup time with respect to \bar{W}	50		65		ns
t _{su(BC1)}	Byte control 1 setup time	50		65		ns
t _{su(BC2)}	Byte control 2 setup time	50		65		ns
t _{su(S)}	Chip select setup time	50		65		ns
t _{su(D)}	Data setup time	25		30		ns
t _{h(D)}	Data hold time	0		0		ns
t _{rec(W)}	Write recovery time	0		0		ns
t _{dis(W)}	Output disable time from \bar{W} low		20		25	ns
t _{dis(OE)}	Output disable time from OE high		20		25	ns
t _{en(W)}	Output enable time from \bar{W} high	5		5		ns
t _{en(OE)}	Output enable time from OE low	5		5		ns

M5M5V216ATP,RT

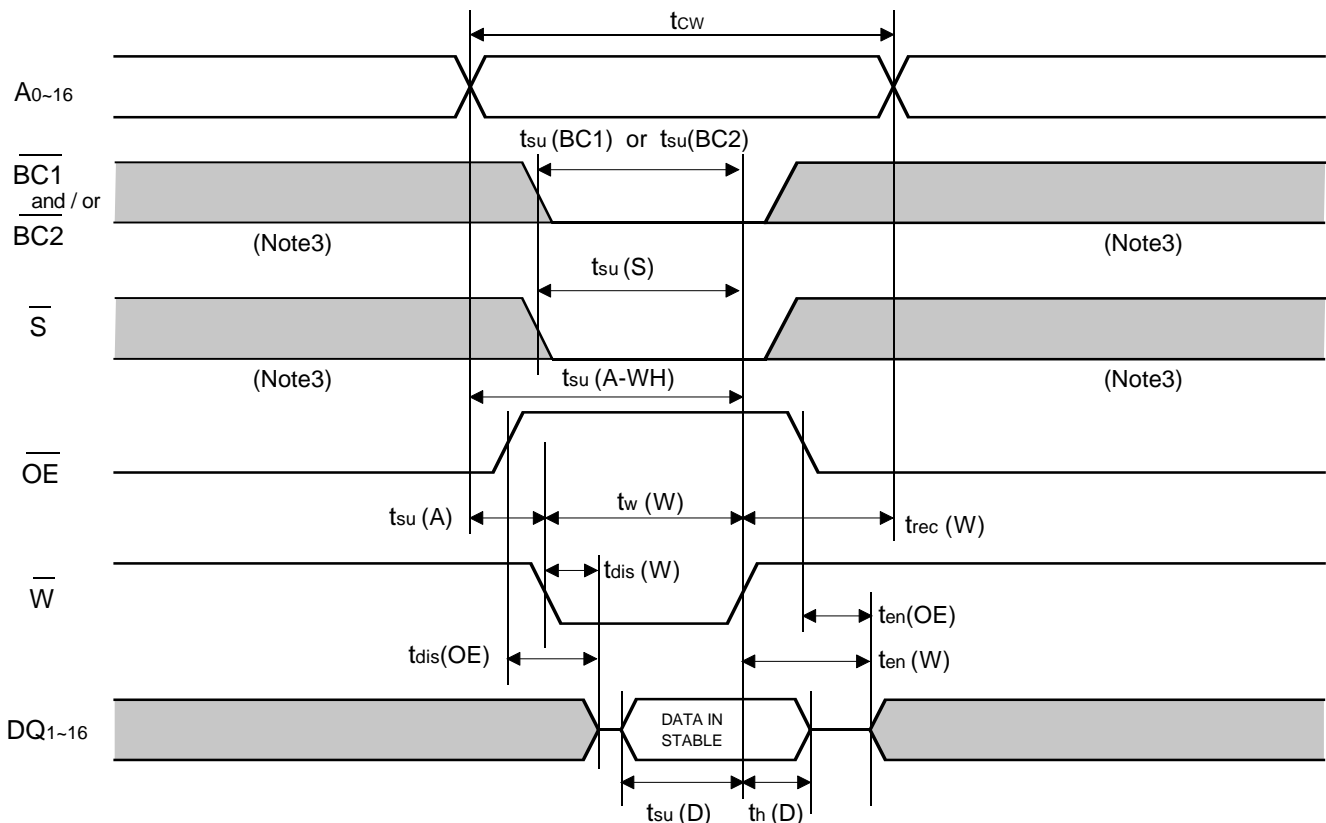
2097152-BIT (131072-WORD BY 16-BIT) CMOS STATIC RAM

(4)TIMING DIAGRAMS

Read cycle



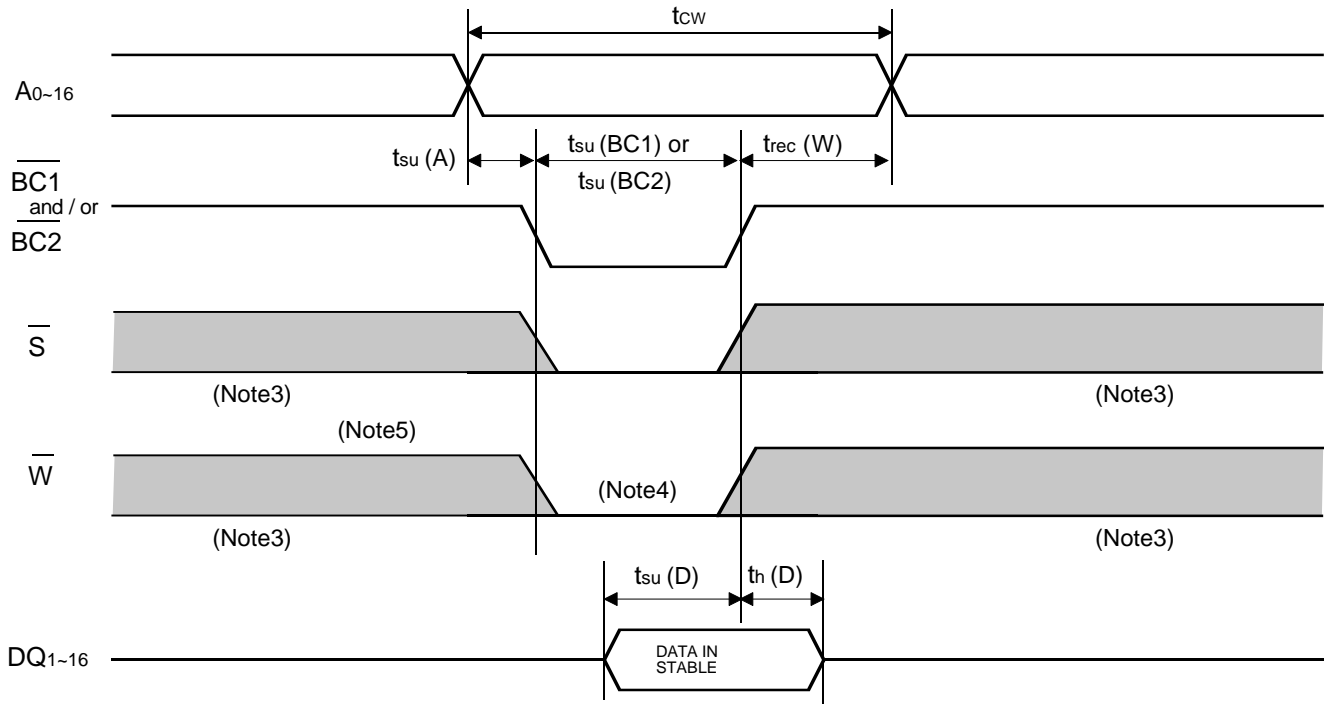
Write cycle (\bar{W} control mode)



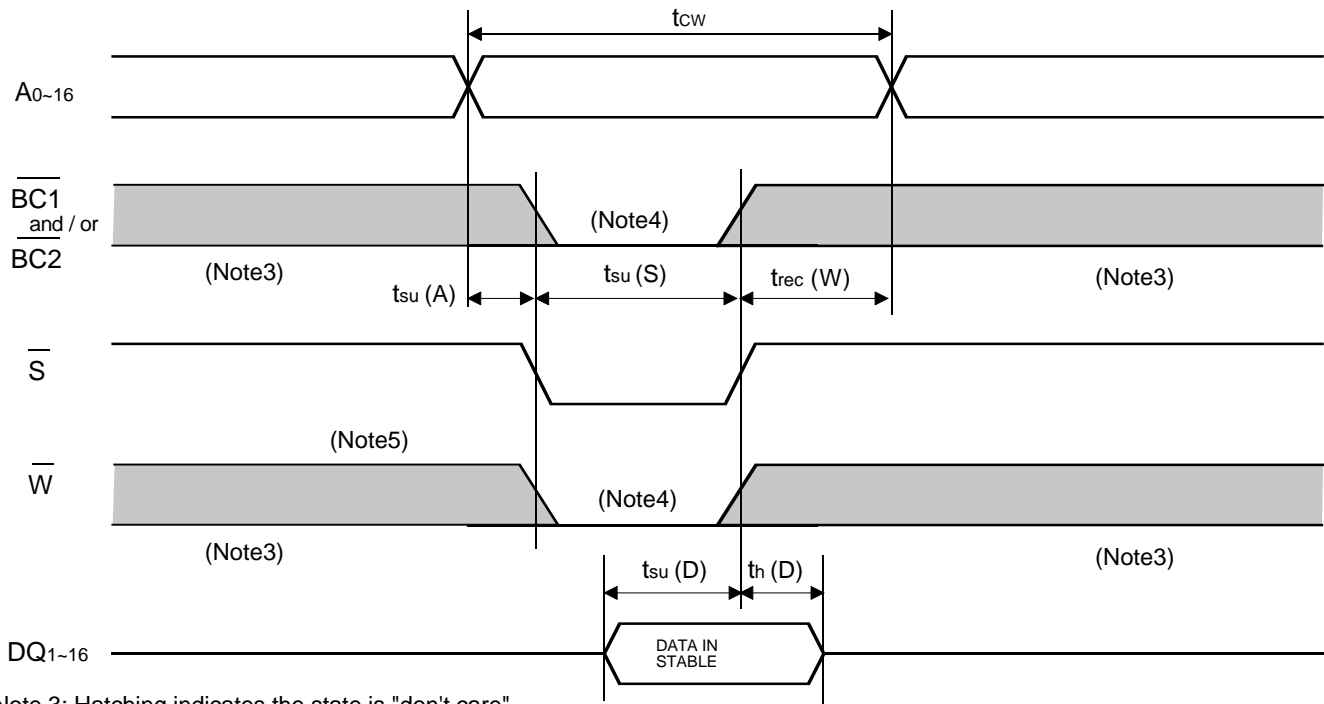
M5M5V216ATP,RT

2097152-BIT (131072-WORD BY 16-BIT) CMOS STATIC RAM

Write cycle (\overline{BC} control mode)



Write cycle (\overline{S} control mode)



Note 3: Hatching indicates the state is "don't care".

Note 4: A Write occurs during \overline{S} low, overlaps $\overline{BC1}$ and/or $\overline{BC2}$ low and \overline{W} low.

Note 5: When the falling edge of \overline{W} is simultaneously or prior to the falling edge of $\overline{BC1}$ and/or $\overline{BC2}$ or the falling edge of \overline{S} , the outputs are maintained in the high impedance state.

Note 6: Don't apply inverted phase signal externally when DQ pin is in output mode.

M5M5V216ATP,RT

2097152-BIT (131072-WORD BY 16-BIT) CMOS STATIC RAM

POWER DOWN CHARACTERISTICS

(1) ELECTRICAL CHARACTERISTICS

Symbol	Parameter	Test conditions	Limits			Units		
			Min	Typ	Max			
V _{CC} (PD)	Power down supply voltage		2.0			V		
V _I (BC)	Byte control input $\overline{BC1}$ & $\overline{BC2}$		2.0			V		
V _I (\overline{S})	Chip select input \overline{S}		2.0			V		
I _{CC} (PD)	Power down supply current	V _{CC} =3.0V 1) $\overline{BC1}$ and $\overline{BC2} \geq V_{CC} - 0.2V$ $\overline{S} \leq 0.2V$ other inputs=0~3V 2) $\overline{S} \geq V_{CC} - 0.2V$ other inputs=0~3V	-LW, -LI	+70 ~ +85 °C	-	-	50	μA
			-L, -LW, -LI	+70 °C	-	-	20	μA
			-HW, -HI	+70 ~ +85 °C	-	-	24	μA
			-H, -HW, -HI	+40 ~ +70 °C	-	-	8	μA
				+25 ~ +40 °C	-	1	3	μA
				0 ~ +25 °C	-	0.3	1	μA
				-20 ~ +25 °C	-	0.3	1	μA
	-40 ~ +25 °C	-	0.3	1	μA			

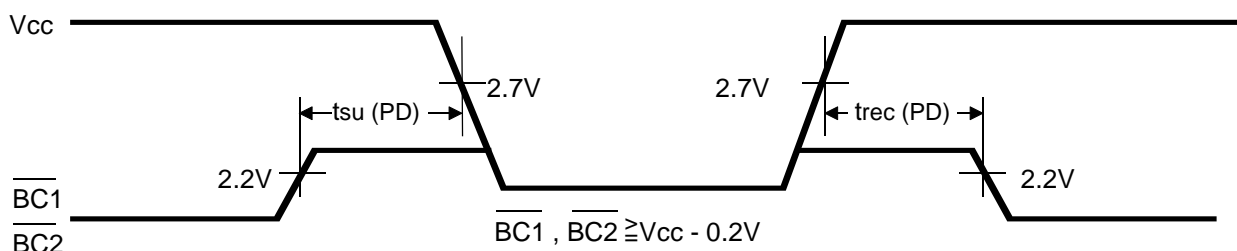
Typical value is for Ta=25 °C

(2) TIMING REQUIREMENTS

Symbol	Parameter	Test conditions	Limits			Units
			Min	Typ	Max	
t _{su} (PD)	Power down set up time		0			ns
t _{rec} (PD)	Power down recovery time		5			ms

(3) TIMING DIAGRAM

BC control mode



\overline{S} control mode

