

M62362P/FP

R03DS0044EJ0300

Rev.3.00

Jun 03, 2011

1280 Resolution 3ch Multiplying D/A Converter

Description

The M62362P is an integrated circuit semiconductor of CMOS structured with 3 channels of built-in 1280 step resolution (equivalent 10.3-bit) multiplication type D/A converters.

The 3-wire serial interface method and it is able to cascading serial use with D_O terminal.

The device is suited for use in high accuracy automatic adjustment combination with microcomputer.

Features

- Digital data transfer method: 3-wire serial data transfer method
- High resolution
Resolution is more over 10-bit and error is less than ±1 LSB
- Capable of 4 quadrant multiplication
- Short setting time
- With reset terminal

Recommended Operating Condition

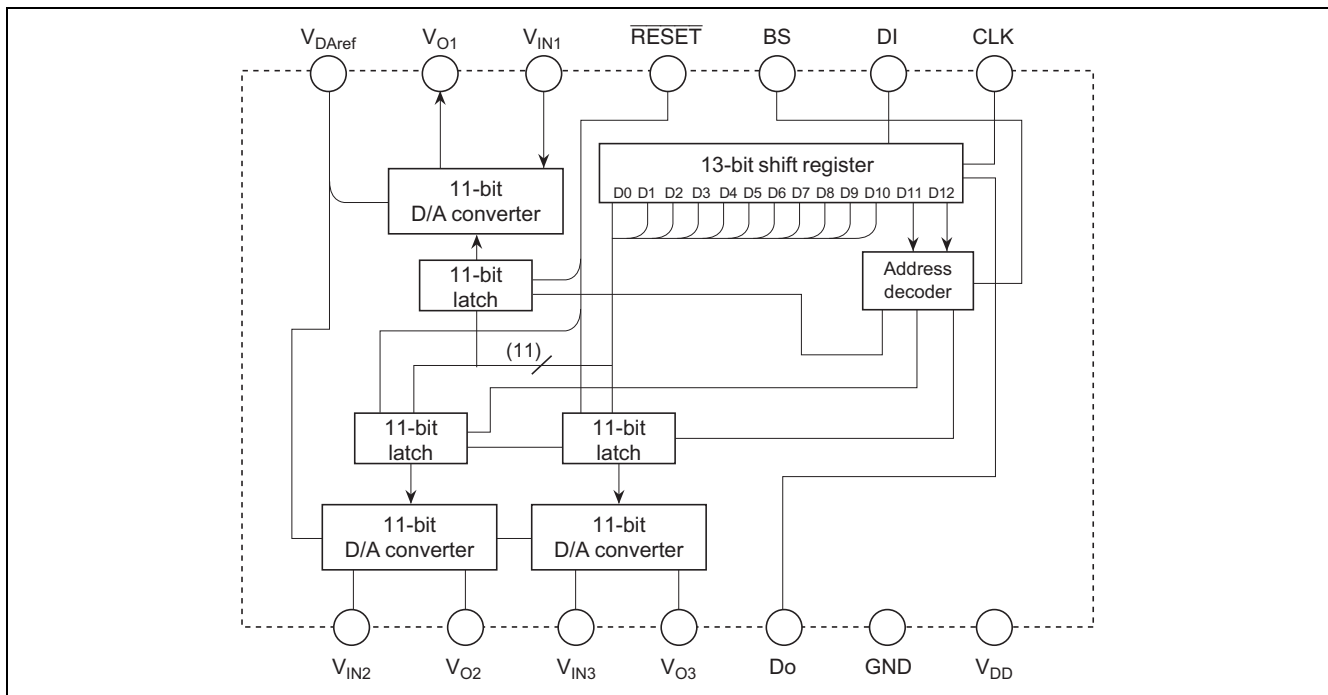
Digital section supply voltage: V_{DD} = 5 V ± 10%

Application

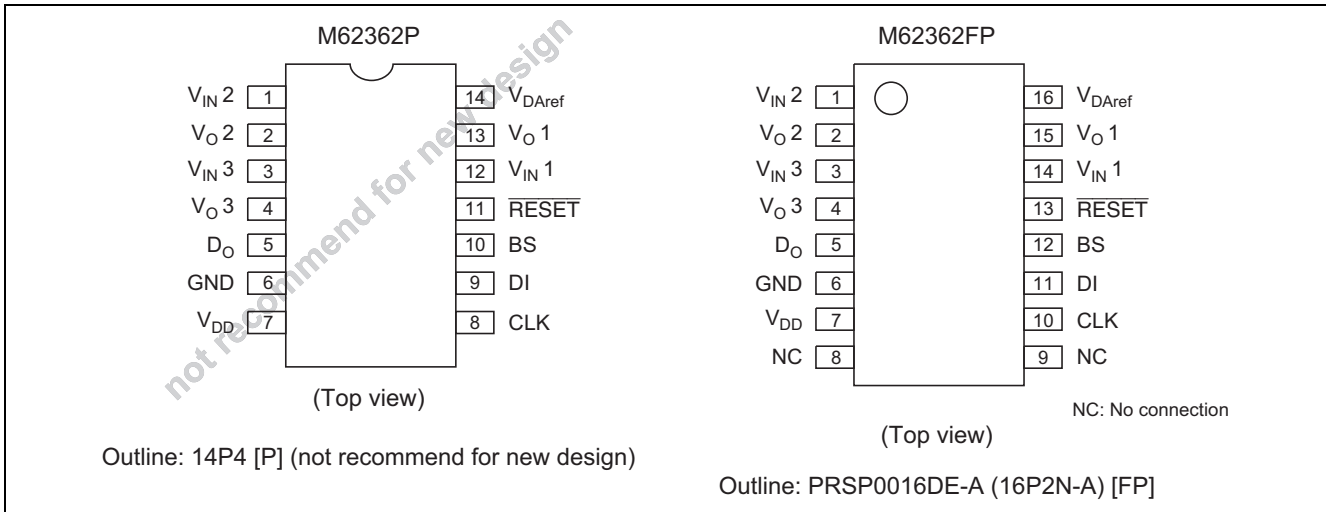
Signal gain control of display-monitor or CTV. Conversion from digital control data to analog control data for home-use and industrial equipment.

Automatic adjustment by combination with EEPROM and microcomputer. (Replacement of conventional half-fixed)

Block Diagram



Pin Arrangement

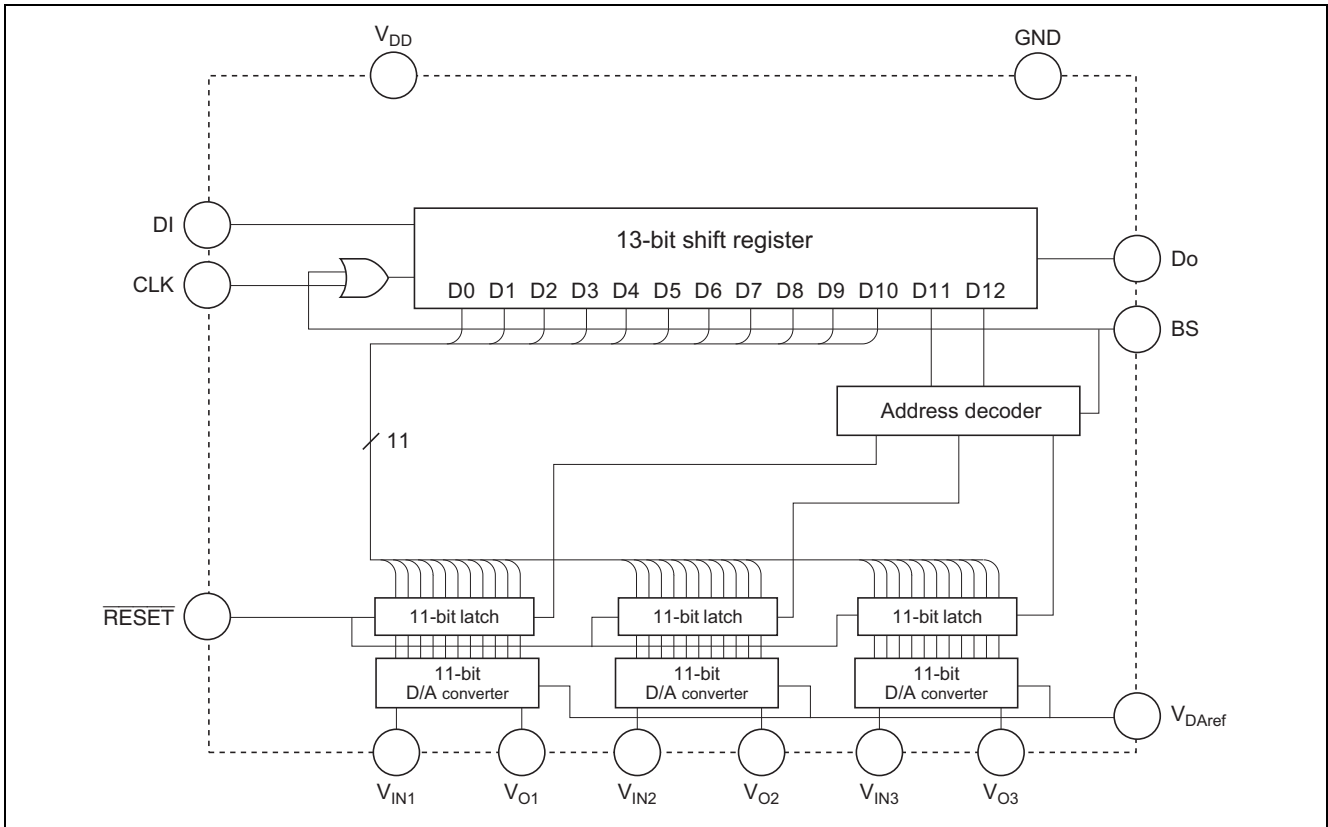


Pin Description

Pin No.	Pin Name	Function
9 (11)	DI	Serial data input terminal
5	D _O	Serial data output terminal
8 (10)	CLK	Serial clock input terminal
10 (12)	BS	When BS terminal level is "H" latch circuit data is load
11 (13)	RESET	When RESET terminal level is "L", all D/A output terminal became "L"
13 (15)	V _{O1}	1280 resolution D/A output
2	V _{O2}	
4	V _{O3}	
7	V _{DD}	Power supply terminal
6	GND	GND terminal
1	V _{IN2}	D/A converter input terminal
3	V _{IN3}	
12 (14)	V _{IN1}	
14 (16)	V _{DAref}	D/A converter reference voltage input terminal

Note: () : M62362FP

Block Diagram for Explanation of Terminals



Absolute Maximum Ratings

Item	Symbol	Ratings	Unit
Supply voltage	V_{DD}	-0.3 to +7.0	V
Digital input voltage (DI, CLK, BS)	V_{IND}	-0.3 to +7.0	V
Input voltage	V_{IN}	-0.3 to $V_{DD} + 0.3$	V
Output voltage	V_O	-0.3 to $V_{DD} + 0.3$	V
D/A reference voltage	V_{DAref}	-0.3 to $V_{DD} + 0.3$	V
Operating temperature	T_{opr}	-20 to +85	°C
Storage temperature	T_{stg}	-40 to +125	°C

Electrical Characteristics

<Digital Part>

(V_{DD} , $V_{IN} = +5\text{ V} \pm 10\%$, $V_{DD} \geq V_{IN}$, $GND = V_{D\text{Aref}} = 0\text{ V}$, $T_a = -20\text{ to } +85^\circ\text{C}$, unless otherwise noted.)

Item	Symbol	Limits			Unit	Conditions
		Min	Typ	Max		
Supply voltage	V_{DD}	4.5	5.0	5.5	V	
Input leak current	I_{ILK}	-10	—	10	μA	$V_{IN} = 0\text{ to } V_{DD}$
Input low voltage	V_{IL}	—	—	$0.2 V_{DD}$	V	
Input high voltage	V_{IH}	$0.8 V_{DD}$	—	—	V	
Output low voltage	V_{OL}	—	—	0.4	V	$I_{OL} = 2.5\text{ mA}$
Output high voltage	V_{OH}	$V_{DD} - 0.4$	—	—	V	$I_{OH} = -400\ \mu\text{A}$

<Analog Part>

(V_{DD} , $V_{IN} = +5\text{ V} \pm 10\%$, $V_{DD} \geq V_{IN}$, $GND = V_{D\text{Aref}} = 0\text{ V}$, $T_a = -20\text{ to } +85^\circ\text{C}$, unless otherwise noted.)

Item	Symbol	Limits			Unit	Conditions	
		Min	Typ	Max			
Input voltage	V_{IN}	0	—	V_{DD}	V		
Output voltage	V_O	0	—	V_{DD}	V	$V_{IN} = 0\text{ to } V_{DD}$	
Input current	I_{IN}	—	0.75	1.5	mA	$V_{IN} = 5\text{ V}$, $V_{D\text{Aref}} = 0\text{ V}$ Proportional to $(V_{IN} - V_{D\text{Aref}})$	
D/A reference source current	$I_{D\text{Aref}}$	-4.5	-2.25	—	mA	$V_{IN1} = V_{IN2} = V_{IN3} = 5\text{ V}$, $V_{D\text{Aref}} = 0\text{ V}$ Proportional to $(V_{IN} - V_{D\text{Aref}})$	
D/A output sink or source current	I_O	-1.0	—	1.0	$\mu\text{A}/\text{LSB}$		
Output impedance	R_O	—	1.8	3.6	$\text{k}\Omega$	Constant for all D/A output mode	
Resolution	RES	—	1280	—	STEP		
Accuracy	Differential nonlinearity	DNL	-1	—	1	LSB	
	Nonlinearity	NL	-0.6	—	0.6	%FS	
	Nonlinearity for channels	ΔNL	-0.4	—	0.4	%FS	

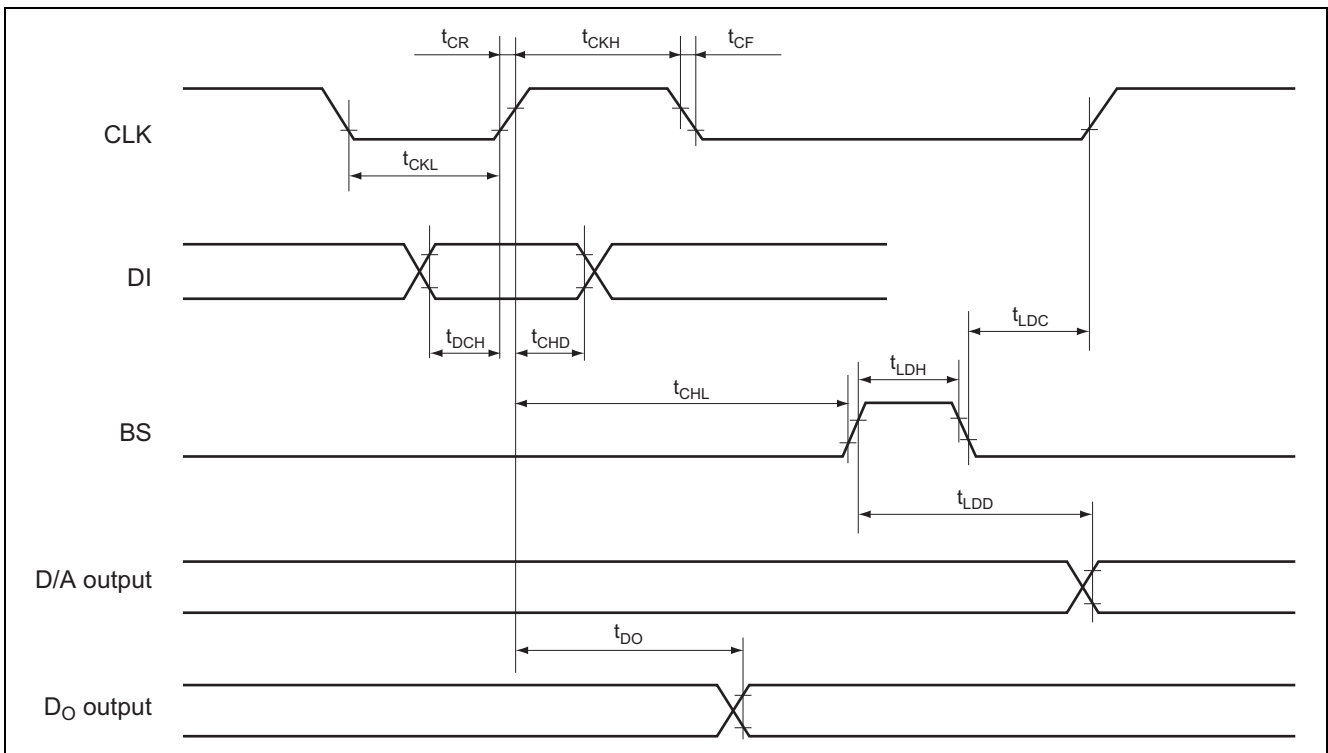
Note: Polarity of current, (+) is sink into IC and (-) is source from IC.

AC Characteristics

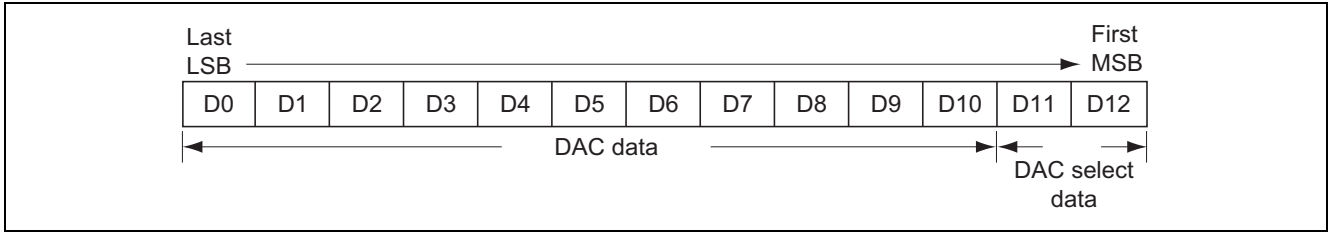
(V_{DD} , $V_{IN} = +5\text{ V} \pm 10\%$, $V_{DD} \geq V_{IN}$, $GND = V_{DAREF} = 0\text{ V}$, $T_a = -20\text{ to }+85^\circ\text{C}$)

Item	Symbol	Limits			Unit	Conditions
		Min	Typ	Max		
Clock "L" pulse width	t_{CKL}	200	—	—	ns	
Clock "H" pulse width	t_{CKH}	200	—	—	ns	
Clock rise time	t_{CR}	—	—	200	ns	
Clock fall time	t_{CF}	—	—	200	ns	
Data setup time	t_{DCH}	60	—	—	ns	
Data hold time	t_{CHD}	100	—	—	ns	
LD setup time	t_{CHL}	200	—	—	ns	
LD hold time	t_{LDC}	100	—	—	ns	
LD "H" pulse width	t_{LDH}	100	—	—	ns	
Data output delay time	t_{DO}	70	—	350	ns	$C_L \leq 100\text{ pF}$
Data output setting time	t_{LDD}	—	—	20	μs	No load
Input/output response time		—	—	5		$f = 10\text{ kHz}$

Timing Chart



Digital Data Format



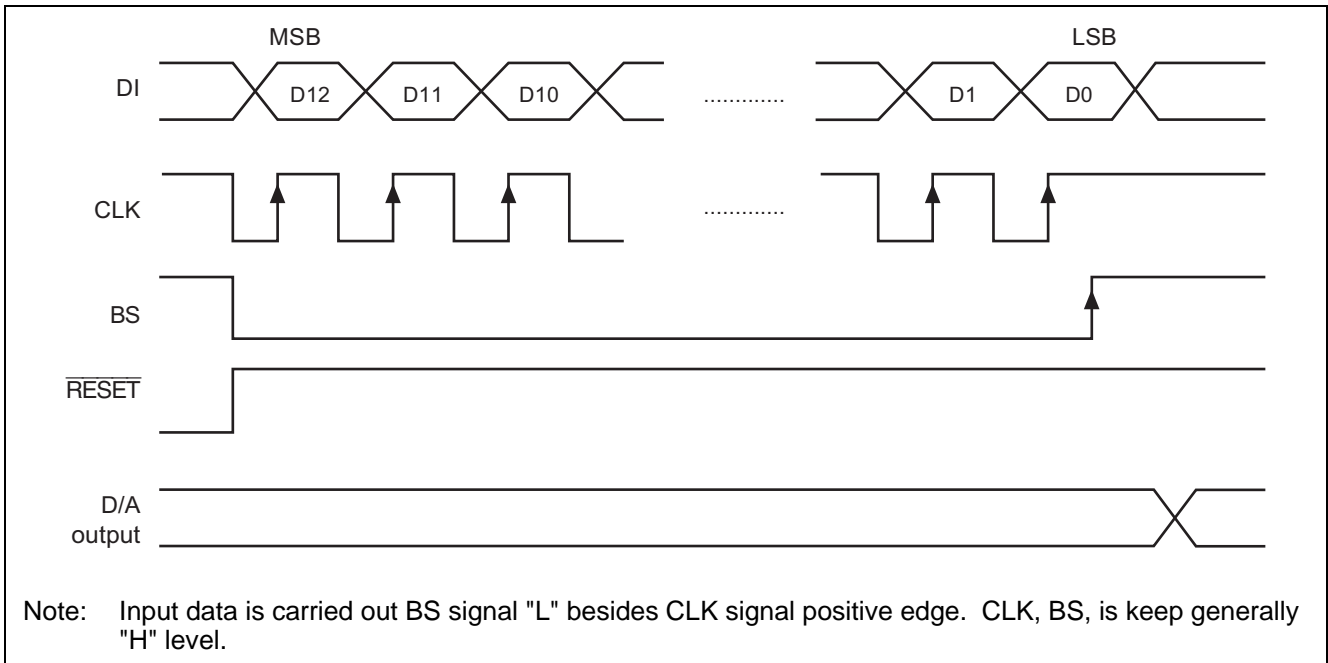
DAC Data

D0	D1	D2	D3	D4	D5	D6	D7	D8	D9	D10	D/A Output
0	0	0	0	0	0	0	0	0	0	0	$V_{D\text{Aref}}$
1	0	0	0	0	0	0	0	0	0	0	$(V_{\text{IN}} - V_{D\text{Aref}}) / 1280 \times 1 + V_{D\text{Aref}}$
0	1	0	0	0	0	0	0	0	0	0	$(V_{\text{IN}} - V_{D\text{Aref}}) / 1280 \times 2 + V_{D\text{Aref}}$
1	1	0	0	0	0	0	0	0	0	0	$(V_{\text{IN}} - V_{D\text{Aref}}) / 1280 \times 3 + V_{D\text{Aref}}$
:	:	:	:	:	:	:	:	:	:	:	:
1	1	1	1	1	1	1	1	0	0	1	$(V_{\text{IN}} - V_{D\text{Aref}}) / 1280 \times 1279 + V_{D\text{Aref}}$
0	0	0	0	0	0	0	0	1	0	1	V_{IN}
:	:	:	:	:	:	:	:	:	:	:	:
1	1	1	1	1	1	1	1	1	1	1	V_{IN}

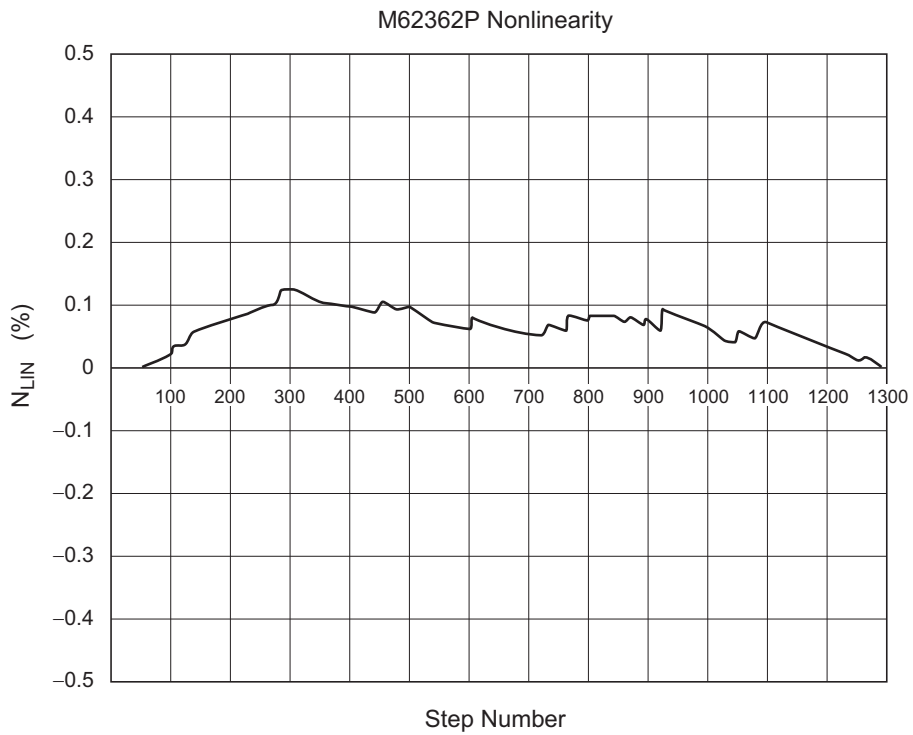
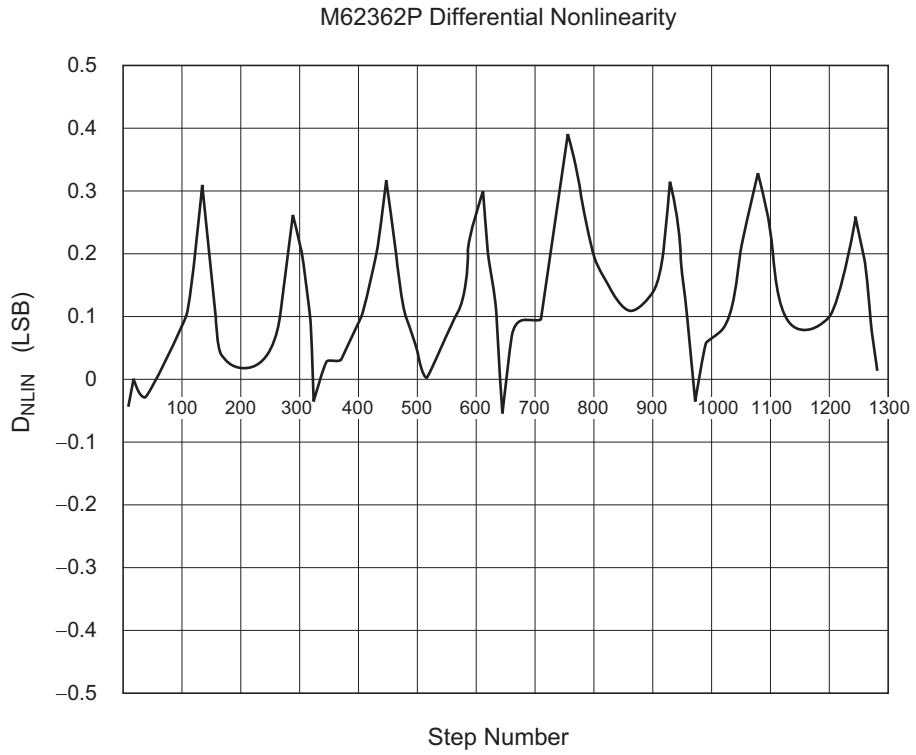
DAC Select Data

D11	D12	DAC Selection
0	0	Don't care
0	1	ch1
1	0	ch2
1	1	ch3

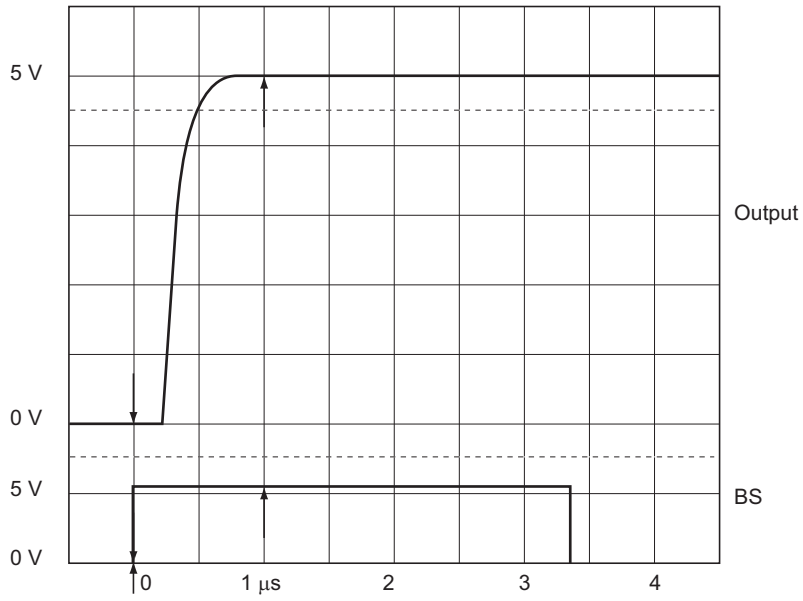
Timing Chart (Model)



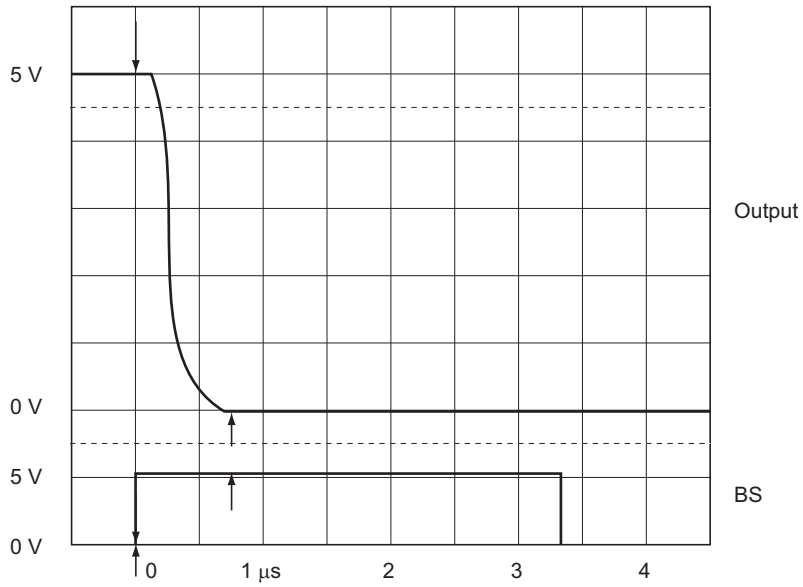
Typical Characteristics



M62362P Output Rise Characteristics (Setting Time)



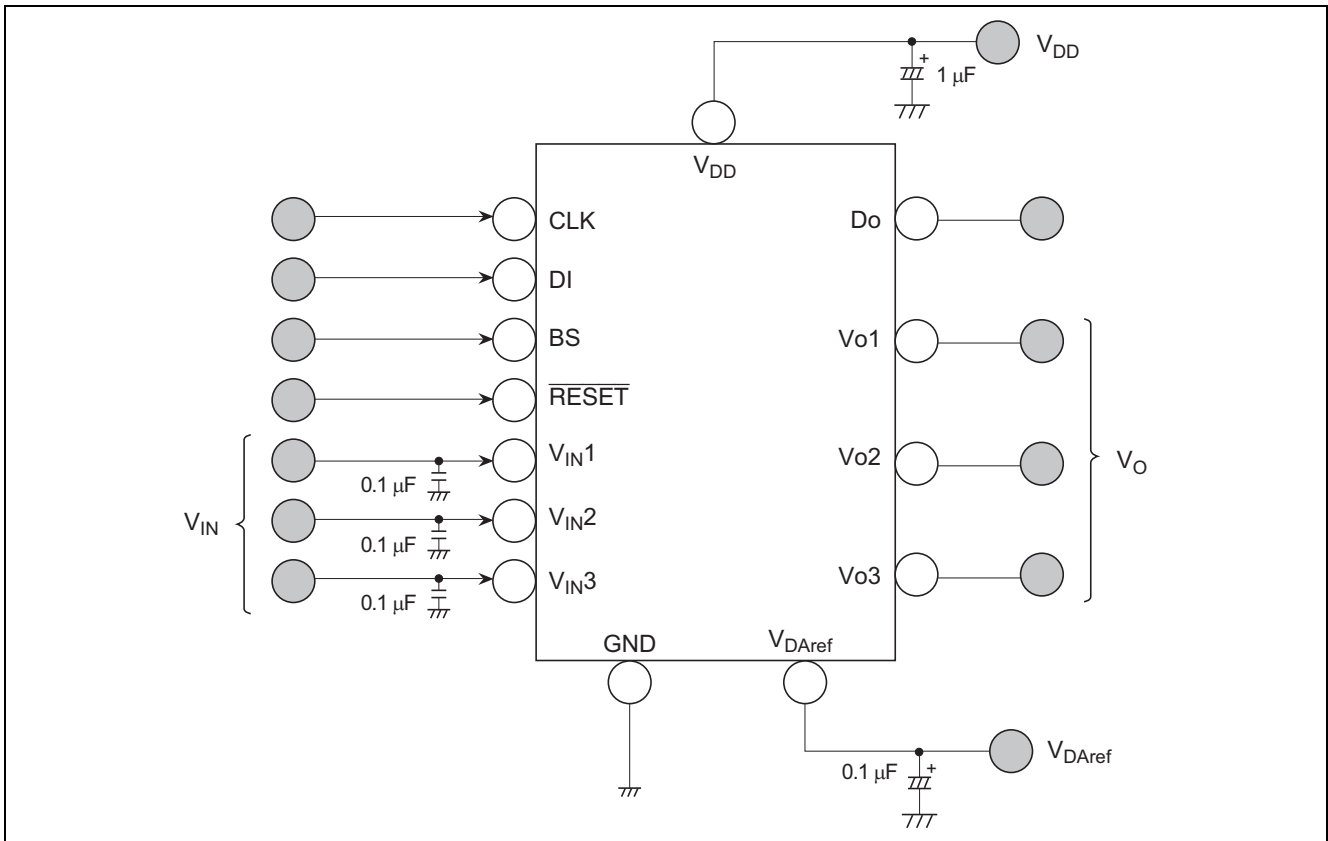
M62362P Output Fall Characteristics (Setting Time)



Precaution for Use

M62362 have 5 terminals these are input free voltage at use. (V_{DD} , V_{IN1} , V_{IN2} , V_{IN3} , V_{DAref}) If ripple and spike is input to these terminals, accuracy of conversion is down. So, when use this device, please connect capacitor among to each terminals and GND for stable operation.

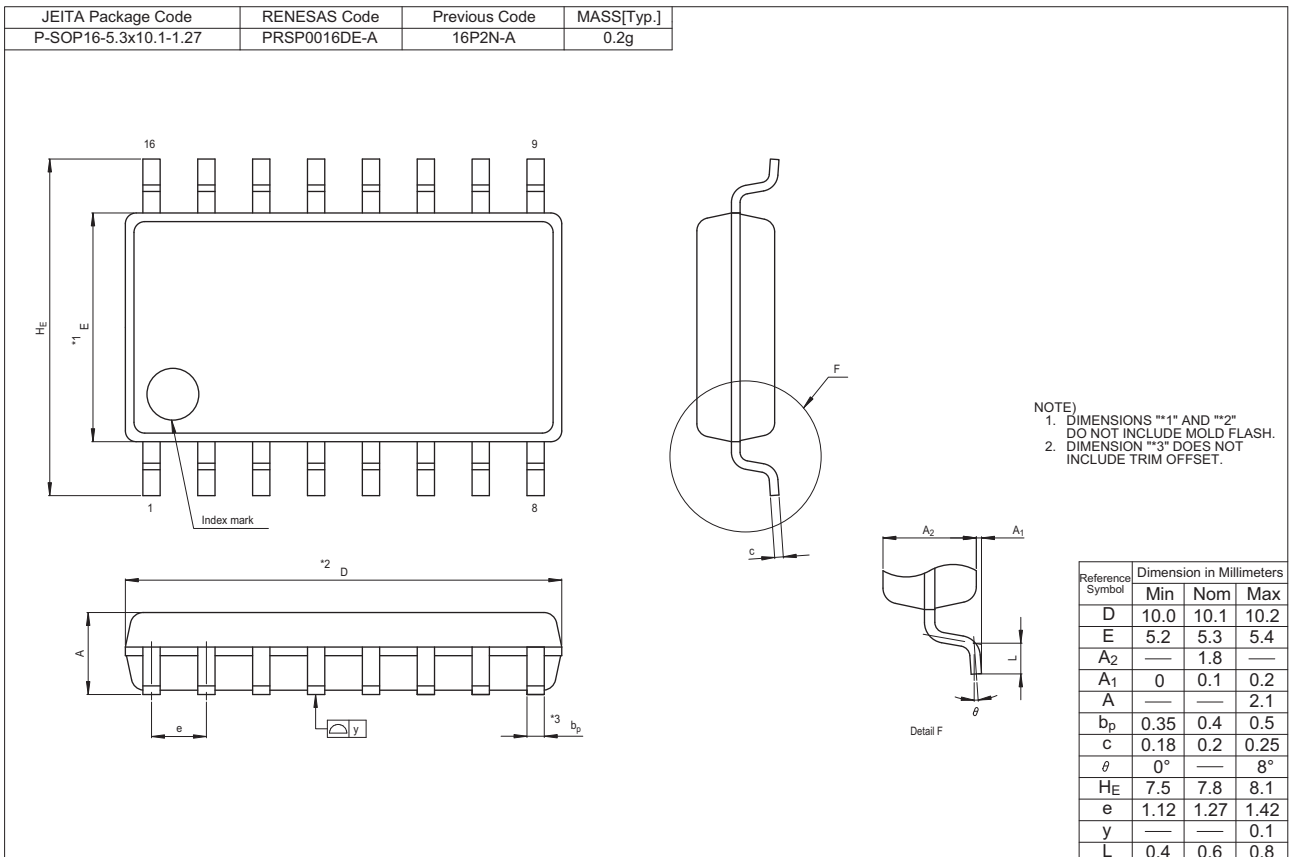
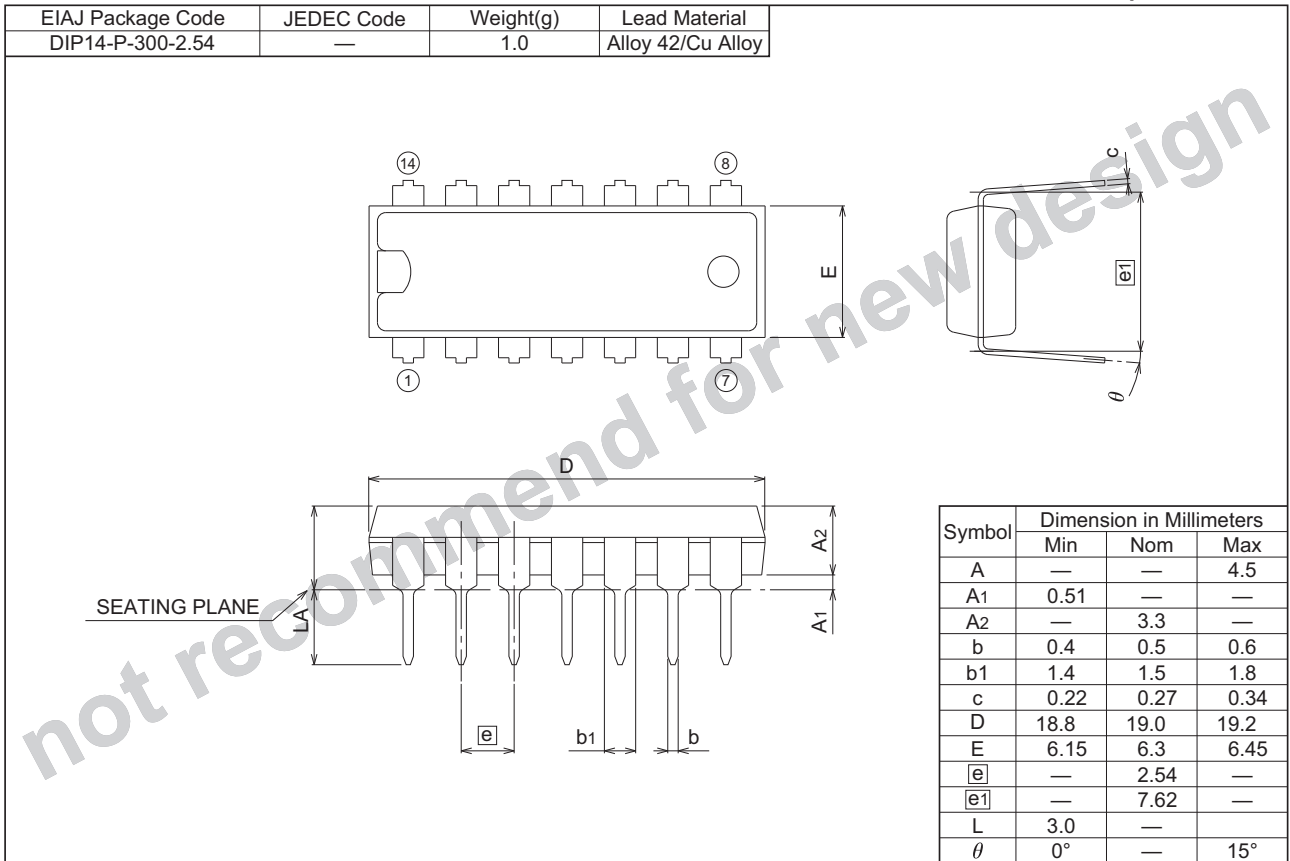
Application Example



Package Dimensions

14P4

Plastic 14pin 300mil DIP



Notice

- All information included in this document is current as of the date this document is issued. Such information, however, is subject to change without any prior notice. Before purchasing or using any Renesas Electronics products listed herein, please confirm the latest product information with a Renesas Electronics sales office. Also, please pay regular and careful attention to additional and different information to be disclosed by Renesas Electronics such as that disclosed through our website.
- Renesas Electronics does not assume any liability for infringement of patents, copyrights, or other intellectual property rights of third parties by or arising from the use of Renesas Electronics products or technical information described in this document. No license, express, implied or otherwise, is granted hereby under any patents, copyrights or other intellectual property rights of Renesas Electronics or others.
- You should not alter, modify, copy, or otherwise misappropriate any Renesas Electronics product, whether in whole or in part.
- Descriptions of circuits, software and other related information in this document are provided only to illustrate the operation of semiconductor products and application examples. You are fully responsible for the incorporation of these circuits, software, and information in the design of your equipment. Renesas Electronics assumes no responsibility for any losses incurred by you or third parties arising from the use of these circuits, software, or information.
- When exporting the products or technology described in this document, you should comply with the applicable export control laws and regulations and follow the procedures required by such laws and regulations. You should not use Renesas Electronics products or the technology described in this document for any purpose relating to military applications or use by the military, including but not limited to the development of weapons of mass destruction. Renesas Electronics products and technology may not be used for or incorporated into any products or systems whose manufacture, use, or sale is prohibited under any applicable domestic or foreign laws or regulations.
- Renesas Electronics has used reasonable care in preparing the information included in this document, but Renesas Electronics does not warrant that such information is error free. Renesas Electronics assumes no liability whatsoever for any damages incurred by you resulting from errors in or omissions from the information included herein.
- Renesas Electronics products are classified according to the following three quality grades: "Standard", "High Quality", and "Specific". The recommended applications for each Renesas Electronics product depends on the product's quality grade, as indicated below. You must check the quality grade of each Renesas Electronics product before using it in a particular application. You may not use any Renesas Electronics product for any application categorized as "Specific" without the prior written consent of Renesas Electronics. Further, you may not use any Renesas Electronics product for any application for which it is not intended without the prior written consent of Renesas Electronics. Renesas Electronics shall not be in any way liable for any damages or losses incurred by you or third parties arising from the use of any Renesas Electronics product for an application categorized as "Specific" or for which the product is not intended where you have failed to obtain the prior written consent of Renesas Electronics. The quality grade of each Renesas Electronics product is "Standard" unless otherwise expressly specified in a Renesas Electronics data sheets or data books, etc.
"Standard": Computers; office equipment; communications equipment; test and measurement equipment; audio and visual equipment; home electronic appliances; machine tools; personal electronic equipment; and industrial robots.
"High Quality": Transportation equipment (automobiles, trains, ships, etc.); traffic control systems; anti-disaster systems; anti-crime systems; safety equipment; and medical equipment not specifically designed for life support.
"Specific": Aircraft; aerospace equipment; submersible repeaters; nuclear reactor control systems; medical equipment or systems for life support (e.g. artificial life support devices or systems), surgical implantations, or healthcare intervention (e.g. excision, etc.), and any other applications or purposes that pose a direct threat to human life.
- You should use the Renesas Electronics products described in this document within the range specified by Renesas Electronics, especially with respect to the maximum rating, operating supply voltage range, movement power voltage range, heat radiation characteristics, installation and other product characteristics. Renesas Electronics shall have no liability for malfunctions or damages arising out of the use of Renesas Electronics products beyond such specified ranges.
- Although Renesas Electronics endeavors to improve the quality and reliability of its products, semiconductor products have specific characteristics such as the occurrence of failure at a certain rate and malfunctions under certain use conditions. Further, Renesas Electronics products are not subject to radiation resistance design. Please be sure to implement safety measures to guard them against the possibility of physical injury, and injury or damage caused by fire in the event of the failure of a Renesas Electronics product, such as safety design for hardware and software including but not limited to redundancy, fire control and malfunction prevention, appropriate treatment for aging degradation or any other appropriate measures. Because the evaluation of microcomputer software alone is very difficult, please evaluate the safety of the final products or system manufactured by you.
- Please contact a Renesas Electronics sales office for details as to environmental matters such as the environmental compatibility of each Renesas Electronics product. Please use Renesas Electronics products in compliance with all applicable laws and regulations that regulate the inclusion or use of controlled substances, including without limitation, the EU RoHS Directive. Renesas Electronics assumes no liability for damages or losses occurring as a result of your noncompliance with applicable laws and regulations.
- This document may not be reproduced or duplicated, in any form, in whole or in part, without prior written consent of Renesas Electronics.
- Please contact a Renesas Electronics sales office if you have any questions regarding the information contained in this document or Renesas Electronics products, or if you have any other inquiries.
(Note 1) "Renesas Electronics" as used in this document means Renesas Electronics Corporation and also includes its majority-owned subsidiaries.
(Note 2) "Renesas Electronics product(s)" means any product developed or manufactured by or for Renesas Electronics.



SALES OFFICES

Renesas Electronics Corporation

<http://www.renesas.com>

Refer to "<http://www.renesas.com/>" for the latest and detailed information.

Renesas Electronics America Inc.
2880 Scott Boulevard Santa Clara, CA 95050-2554, U.S.A.
Tel: +1-408-586-6000, Fax: +1-408-586-6130

Renesas Electronics Canada Limited
1101 Nicholson Road, Newmarket, Ontario L3Y 9C3, Canada
Tel: +1-905-898-5441, Fax: +1-905-898-3220

Renesas Electronics Europe Limited
Dukes Meadow, Millboard Road, Bourne End, Buckinghamshire, SL8 5FH, U.K.
Tel: +44-1628-585-100, Fax: +44-1628-585-900

Renesas Electronics Europe GmbH
Arcadiastrasse 10, 40472 Düsseldorf, Germany
Tel: +49-211-65030, Fax: +49-211-6503-1327

Renesas Electronics (China) Co., Ltd.
7th Floor, Quantum Plaza, No.27 ZhiChunLu Haidian District, Beijing 100083, P.R.China
Tel: +86-10-8235-1155, Fax: +86-10-8235-7679

Renesas Electronics (Shanghai) Co., Ltd.
Unit 204, 205, AZIA Center, No.1233 Lujiazui Ring Rd., Pudong District, Shanghai 200120, China
Tel: +86-21-5877-1818, Fax: +86-21-6887-7858 / -7898

Renesas Electronics Hong Kong Limited
Unit 1601-1613, 16/F., Tower 2, Grand Century Place, 193 Prince Edward Road West, Mongkok, Kowloon, Hong Kong
Tel: +852-2886-9318, Fax: +852 2886-9022/9044

Renesas Electronics Taiwan Co., Ltd.
13F, No. 363, Fu Shing North Road, Taipei, Taiwan
Tel: +886-2-8175-9600, Fax: +886 2-8175-9670

Renesas Electronics Singapore Pte. Ltd.
1 HarbourFront Avenue, #06-10, Keppel Bay Tower, Singapore 098632
Tel: +65-6213-0200, Fax: +65-6276-8001

Renesas Electronics Malaysia Sdn.Bhd.
Unit 906, Block B, Menara Amcorp, Amcorp Trade Centre, No. 18, Jln Persiaran Barat, 46050 Petaling Jaya, Selangor Darul Ehsan, Malaysia
Tel: +60-3-7955-9390, Fax: +60-3-7955-9510

Renesas Electronics Korea Co., Ltd.
11F., Samik Lavied' or Bldg., 720-2 Yeoksam-Dong, Kangnam-Ku, Seoul 135-080, Korea
Tel: +82-2-558-3737, Fax: +82-2-558-5141