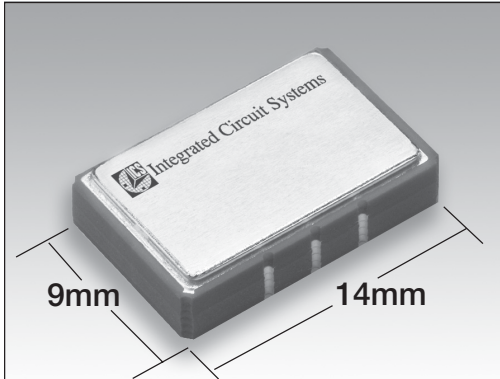




M655 Series Voltage Controlled SAW Oscillators



DESCRIPTION

The M655 Series of Voltage Controlled SAW Oscillators is a low cost solution for many Telecom applications. An internal SAW filter provides jitter performance of less than 0.5psec (rms).

This device is specified for an operating temperature range of -40°C to +85°C. A disable feature forces the output into a static condition by applying a logic “0” to the clock enable input. The oscillator is housed in a hermetically-sealed, leadless surface mount package.

The M655 Series of VCOs is available over an output frequency range of 155MHz to 900MHz. The device is most suited for phase-locked loop applications as well as clock and data recovery circuits.

FEATURES

- Output Frequencies at 155MHz to 900MHz
- Low Phase Jitter, 0.5psec (rms) typical
- 3.3 Volt Supply Operation
- Complementary Outputs
- Output Disable Feature
- LCC Surface Mount Package (9 x 14mm)

APPLICATION

- Clock Smoothing for OC192/OC48/OC12/OC3
- Clock Smoothing for STS96/STS48/STS12/STS3/STS1
- Frequency Translation
- Clock and Data Retiming

ABSOLUTE MAX RATINGS

Operating Temp. Range (Case): -40°C to +85°C
 Storage Temp. Range (Ambient): -55°C to +125°C
 Control Voltage Range: 0 to Vcc
 Output Current: 20 mA
 Power Supply Voltage (Vcc): 0 to +3.6 Vdc





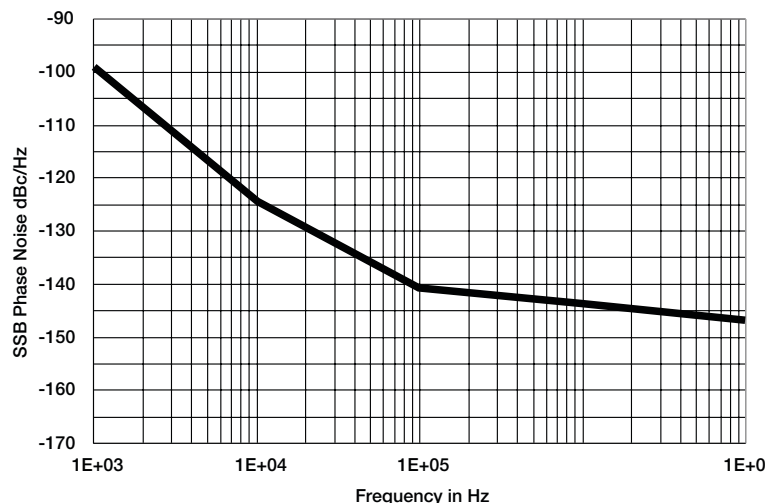
SPECIFICATIONS

Specifications @ $V_{cc} = +3.3$ Volts, $V_{ee} = 0$ Volts, and $T_a = +25^\circ\text{C}$ unless otherwise specified

PARAMETER	Min	Typ	Max	Units
Output Frequency	155		900	MHz
Absolute Pull Range	± 50			ppm
Frequency Stability (-40°C to 85°C)		+25/-150		ppm
Duty Cycle	45		55	%
Spurious Suppression -50	-60		dBc	
Linearity		± 6		%
Logic Levels				
Vol ¹	$V_{cc} - 1.95$		$V_{cc} - 1.63$	Volts
Voh ²	$V_{cc} - 0.98$		$V_{cc} - 0.75$	Volts
Input Control Voltage (Vc) Range	0		V_{cc}	Volts
VCO Gain		200		ppm/V
Vc Input Impedance	8		12	K Ω
Vc Modulation BW		500		kHz
Clock/Output Enable (Pin 2)	2.0		$V_{cc} + 0.3$	Volts
Clock/Output Disable (Pin 2)	-0.3		0.8	Volts
Output Rise Time		250	400	psec
Output Fall Time		250	400	psec
Jitter @ 155.520MHz offset from carrier 12kHz to 20MHz		0.230		psec rms
Jitter @ 622.080MHz offset from carrier 12kHz to 80MHz		0.458		psec rms
Phase Noise (offset from carrier)				
100Hz		-65		dBc/Hz
1kHz		-95		dBc/Hz
10kHz		-120		dBc/Hz
100kHz		-140		dBc/Hz
Operating Temperature	-40	25	+85	°C
Supply Current		80	95	mA
Supply Voltage		3.2	3.3	V

Notes: 1. Output levels are standard 10K ECL and are fully 100K ECL compatible.
 2. Transition times are measured from 20% to 80% of a full 10K ECL level swing.

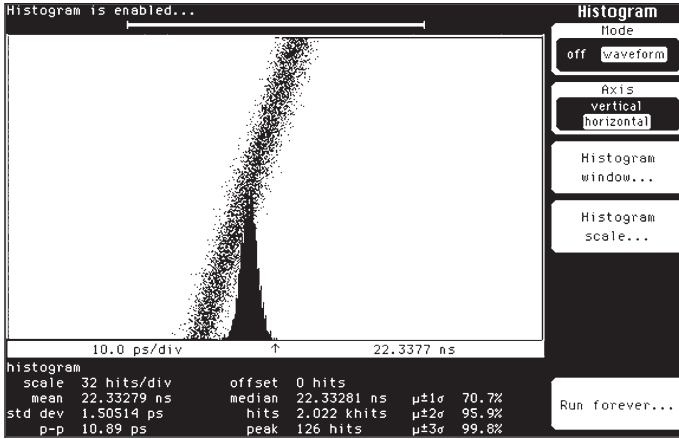
Phase Noise



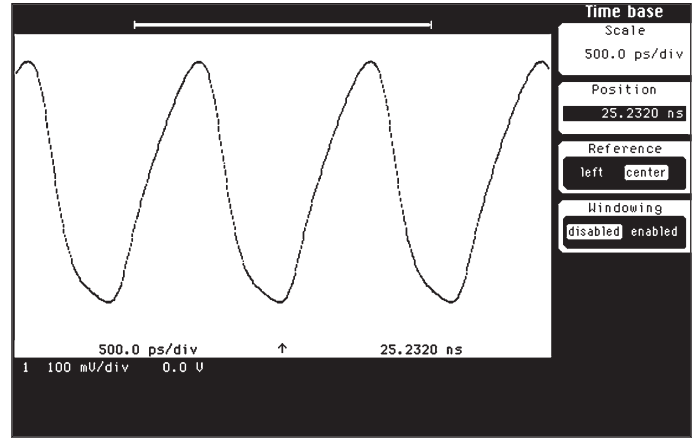


SPECIFICATIONS

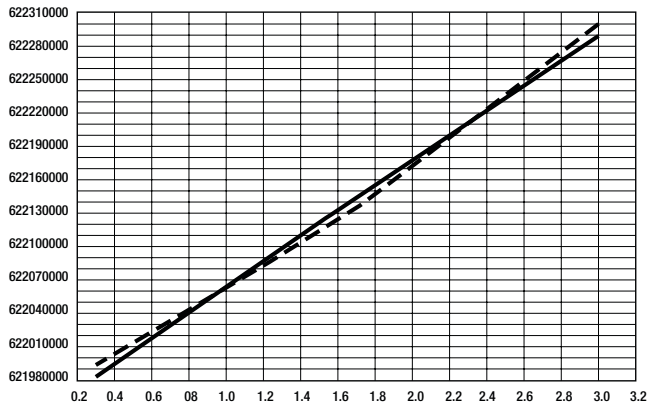
Jitter



Output

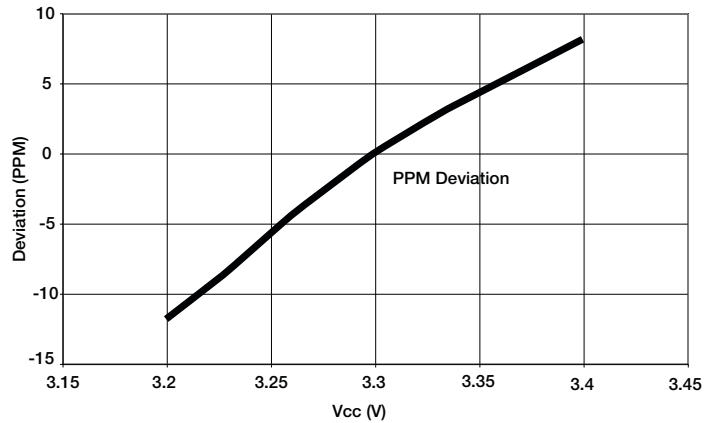


Typical Linearity



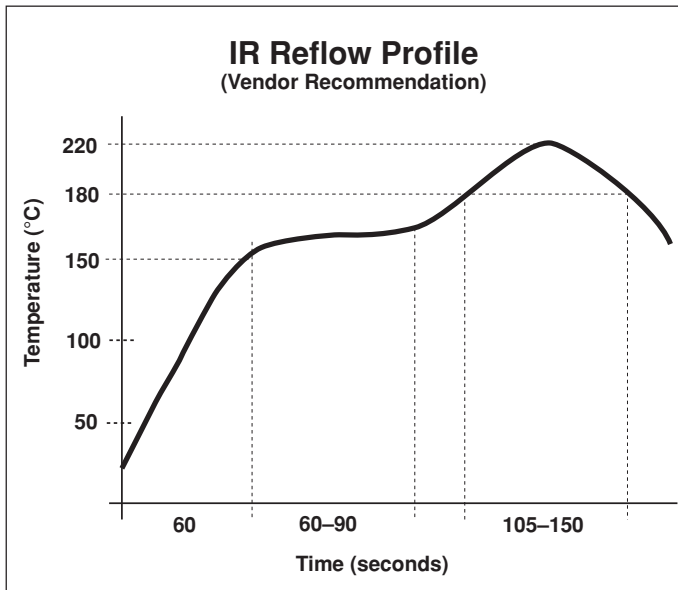
Typical linearity of a M655 operating at 622.08 MHz over the input range of .3 to 3.0 volts

Typical Frequency Pushing





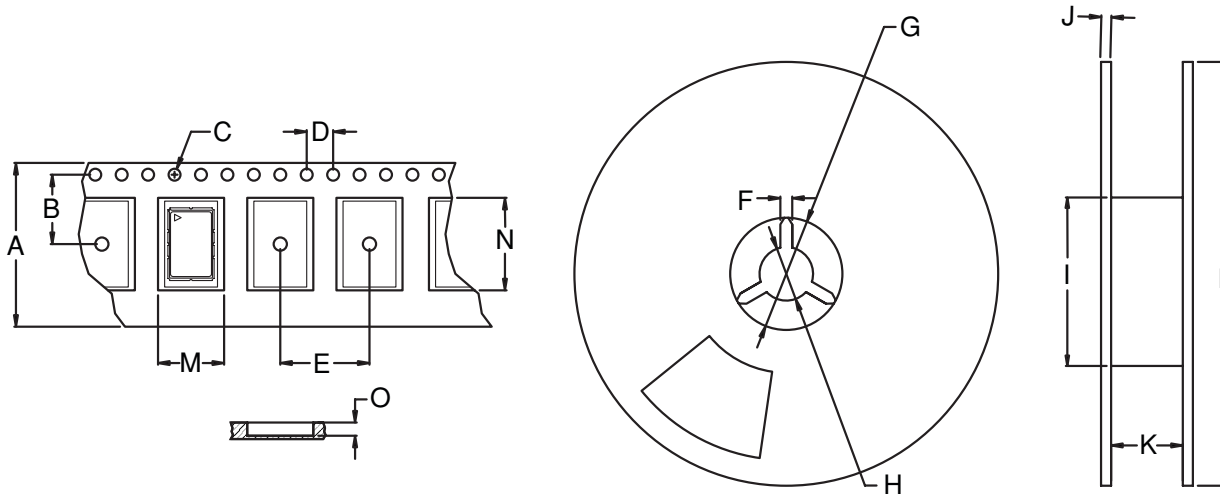
IR REFLOW PROFILE



Micro Networks has subjected their VCISO component to various reflow profiles and test conditions for optimum substrate mounting performance. The conditions suggested here are recommended temperature settings for the VCISO device during the reflow processes. The best case condition for the device is a slow ramp up to prevent thermal shock before reaching reflow temperatures of Sn/Pb flux activated solder with a melting point of 183 degree Celsius. The M655 device should not see temperatures above 183 degrees Celsius for an extended periods beyond 60 seconds. Maximum peak temperature for the device should not exceed 220 degrees Celsius for longer then 20 seconds.

Micro Networks has designed the M655 device as a sealed unit. The package is 100% tested for seal defects. Aqueous, solvent, or other wash type cleaning methods is acceptable for this device.

TAPE & REEL



TAPE & REEL DIMENSIONS

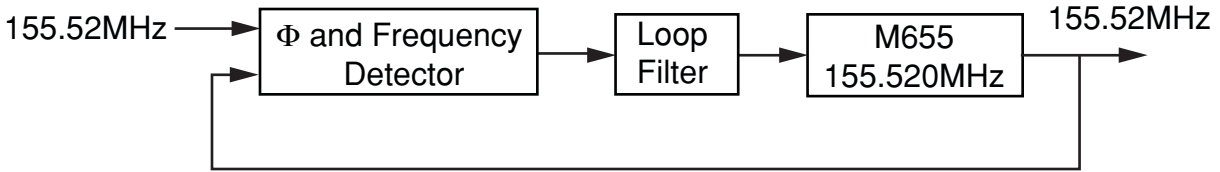
TAPE	MM	REEL	MM
A	24	F	1.78
B	11.5	G	21
C	1.5	H	13
D	4	I	100
E	12	J	5
M	9.2	K	25
N	14.5	L	330
O	3.7		

No. per Reel: 300 Max

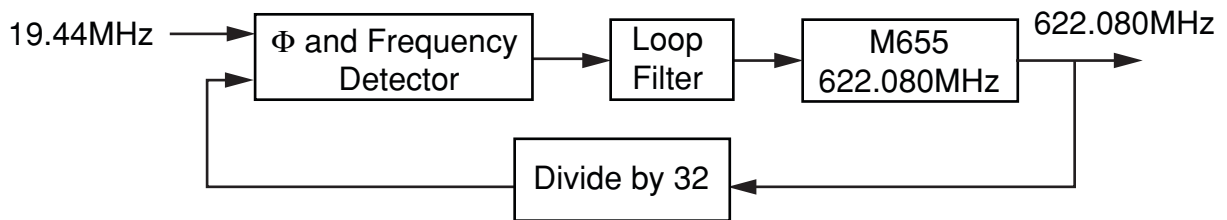


APPLICATIONS

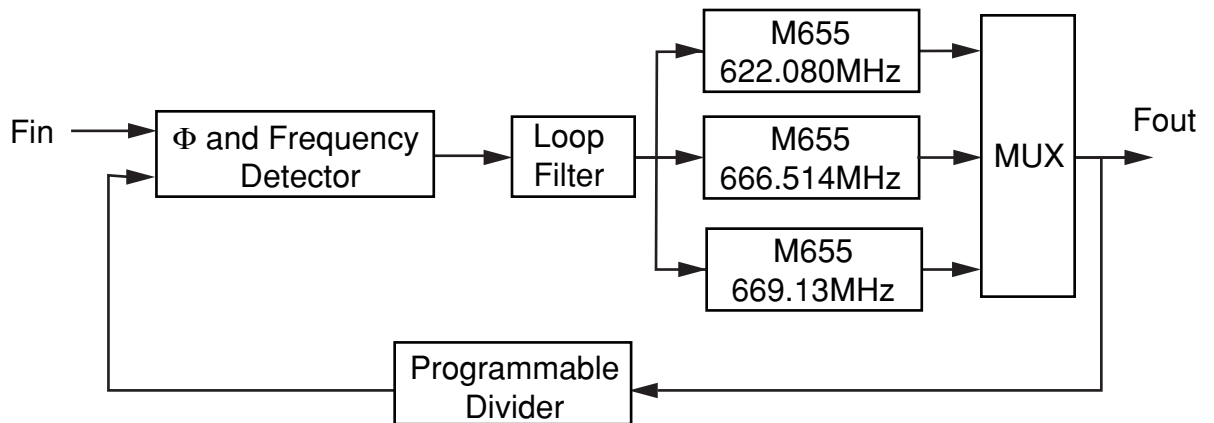
Jitter Attenuator



Frequency Translator

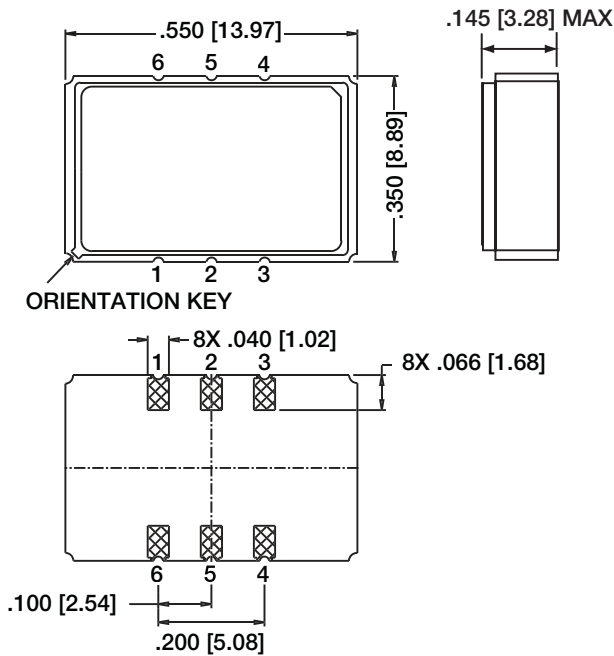


Multi-rate FEC Clock Generator





MECHANICAL DIMENSIONS & PIN CONFIGURATION



Pin No.	Function
1	Vt
2	CE
3	GND
4	Cout
5	nCout
6	Vcc

ORDERING INFORMATION

Part Number **M655P 622.0800**

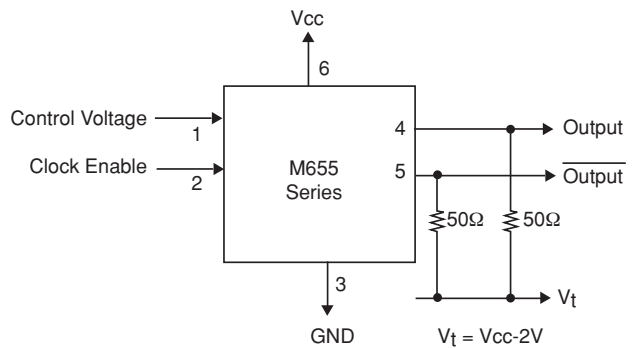
P for PECL Operation

Specify frequency in MHz xxx.xxxx
(eg. 155.5200MHz, 311.0400MHz,
622.0800MHz, 666.5140MHz)

Absolute Pull Range

Blank = ± 50 ppm
 ± 100 ppm available for certain frequencies.
Consult factory.

BLOCK DIAGRAM



ICS reserves the right to make changes in the device data identified in this publication without further notice. ICS advises its customers to obtain the latest version of all device data to verify that any information being relied upon by the customer is current and accurate.

Integrated Circuit Systems, Inc.
Communications Modules

324 Clark Street ■ Worcester, MA 01606 ■ tel: 508-852-5400 ■ fax: 508-852-8456

European Sales Headquarters ■ Hertogsingel 20 ■ 6214 AD Maastricht ■ The Netherlands ■ tel: +31-43-32-70912 ■ fax: +31-43-32-70715

www.icst.com/Comm-Modules