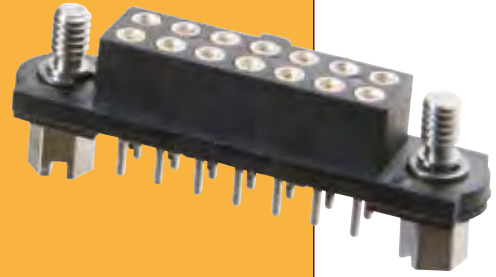


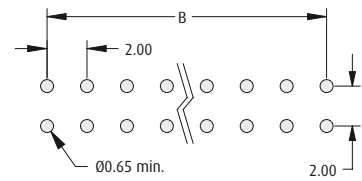
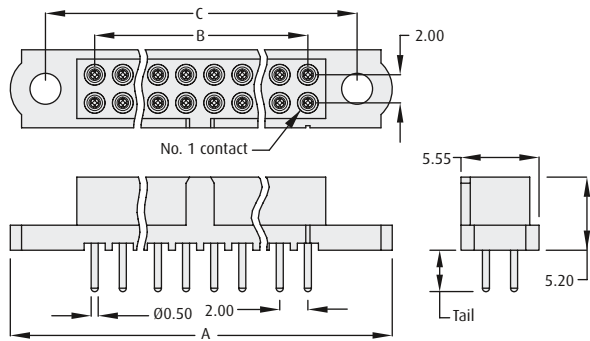
Datamate Connectors

Female Vertical PC Tail

- ❖ Fully shrouded contacts.
- ❖ Polarised mouldings.
- ❖ Mates with male connectors shown on pages 34-40 and 42-43.



WITHOUT JACKSCREWS

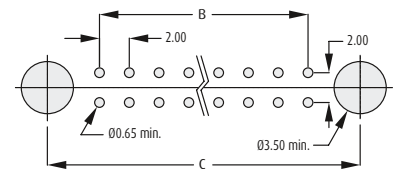
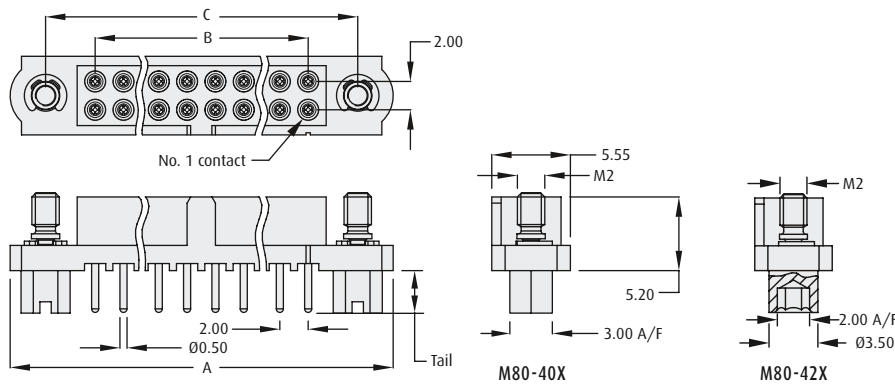


Recommended PC Board Pattern

CALCULATION

A	B + 12
B	Total No. of contacts - 2
C	B + 7

WITH JACKSCREWS



Recommended PC Board Pattern

HOW TO ORDER

SERIES CODE

0	With Hex slotted jackscrews
1	Without jackscrews
2	With Hex Socket jackscrews

0	3mm Tails
1	4.5mm Tails

M80 - 4 X X XX XX

FINISH

01	Gold + Tin/Lead	
05	Gold	
42	Gold + Tin	

TOTAL NO. OF CONTACTS

04 to 50

Even numbers only

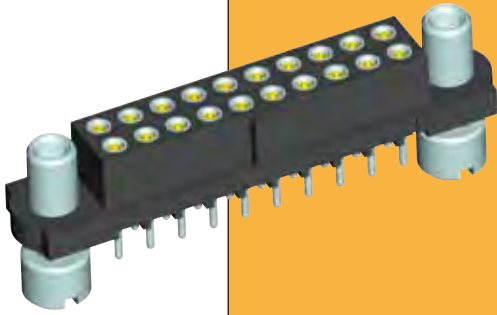
All dimensions in mm.

www.harwin.com



Datamate Connectors

Female Vertical PC Tail Reverse Fix

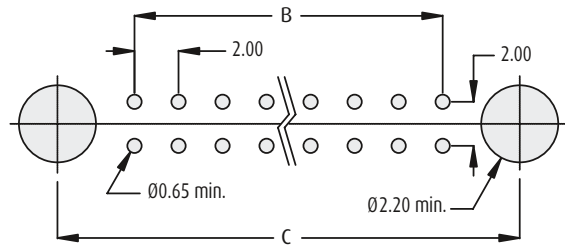
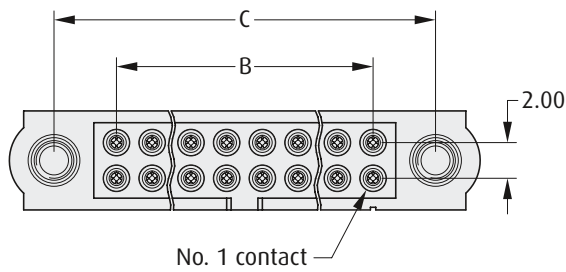


- ❖ Fully shrouded contacts.
- ❖ Polarised mouldings.
- ❖ Mates with male connectors shown on page 41.

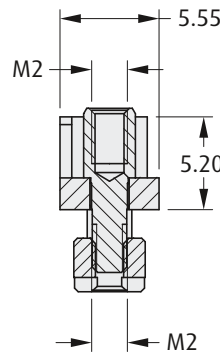
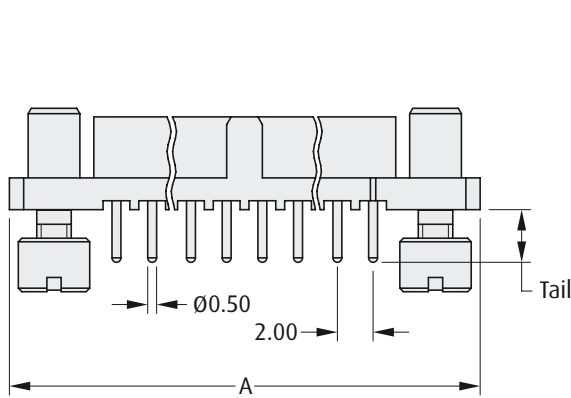
WITH JACKSCREWS

CALCULATION

A	B + 12
B	Total No. of contacts - 2
C	B + 7



Recommended PC Board Pattern



HOW TO ORDER

M80 - 40 X XX XX

SERIES CODE

TYPE

5	3mm Tails
6	4.5mm Tails

FINISH

01	Gold + Tin/Lead	
05	Gold	
42	Gold + Tin	

TOTAL NO. OF CONTACTS

04 to 50

Even numbers only

www.harwin.com

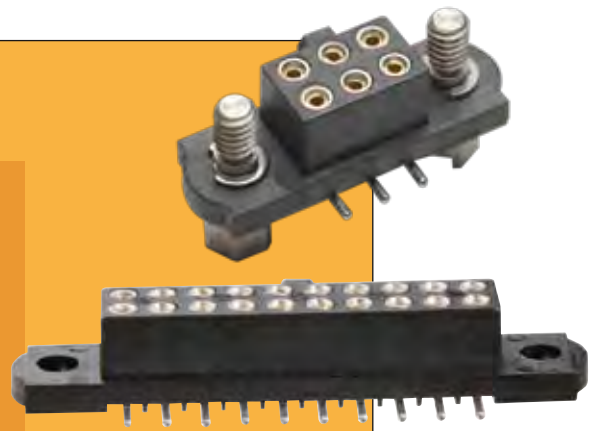
All dimensions in mm.



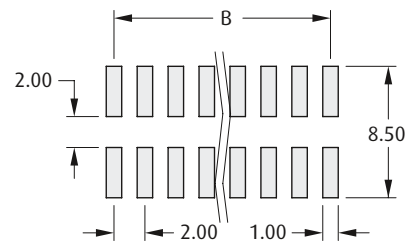
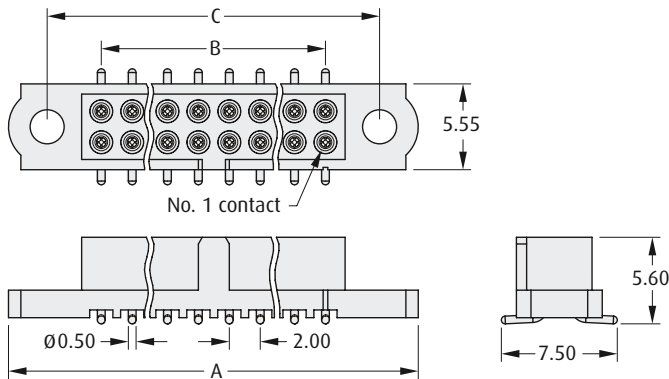
Datamate Connectors

Female Vertical Surface Mount

- ❖ Optional pick and place cap.
- ❖ Contact datamate@harwin.com for tape and reel options.
- ❖ Gull wing SMT tails simplify inspection process.
- ❖ Mates with male connectors shown on pages 34-40 and 42-43.



WITHOUT JACKSCREWS

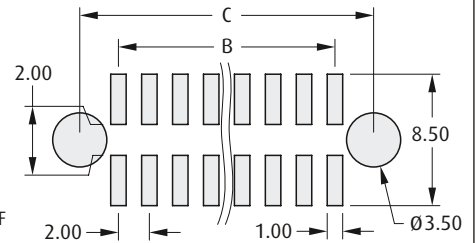
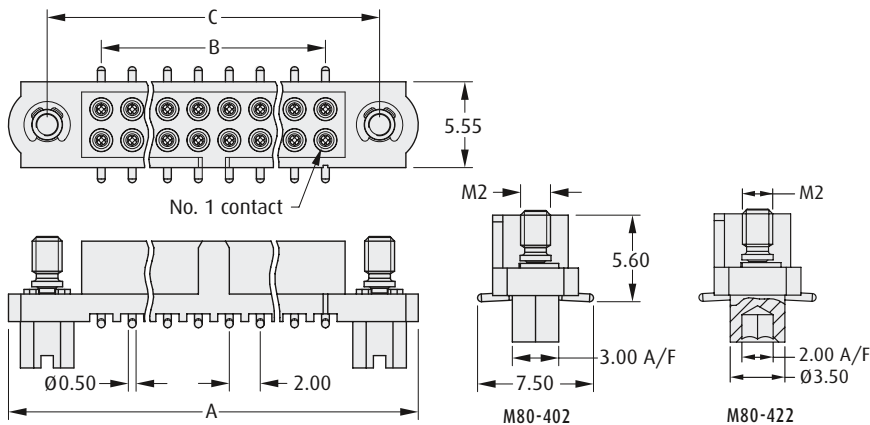


Recommended PC Board Pattern

CALCULATION

A	B + 12
B	Total No. of contacts - 2
C	B + 7

WITH JACKSCREWS



Recommended PC Board Pattern

HOW TO ORDER

M80 - 4 X 2 XX XX P

SERIES CODE

TYPE

0	With Hex slotted jack screws
1	Without Jack screws
2	With Hex Socket jack screws

TOTAL NO. OF CONTACTS

04 to 50

Even numbers only

PICK AND PLACE CAP

BLANK	No cap
P	Pick and place cap

FINISH

01	Gold + Tin/Lead	
05	Gold	
42	Gold + Tin	

All dimensions in mm.

www.harwin.com

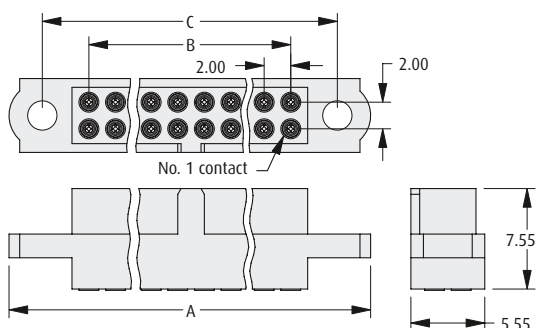


Datamate Connectors

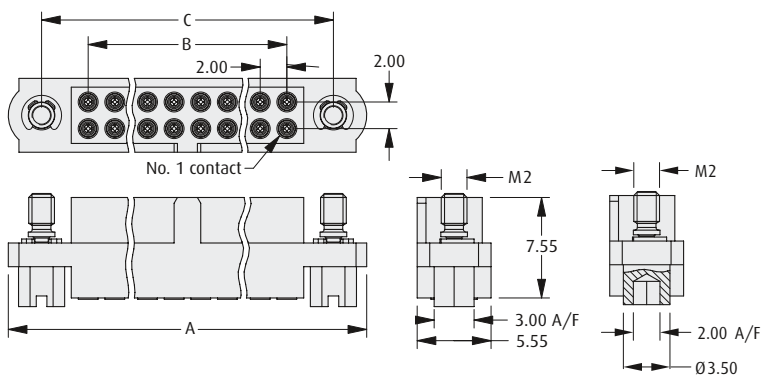
Female Crimp

- ❖ Polarised mouldings.
- ❖ Fully shrouded contacts.
- ❖ Large bore 22 AWG, small bore 24-28 AWG.
- ❖ Jackscrews are assembled where specified.
- ❖ Crimp contacts are rear insertable.
- ❖ Mates with male connectors shown on pages 34-40 and 42-43.
- ❖ Part numbers are for housings and the equivalent no of contacts.
- ❖ Spare contacts available, see page 16.

WITHOUT JACKSCREWS



WITH JACKSCREWS



CALCULATION

A	B + 12
B	Total No. of contacts - 2
C	B + 7

M80-460
M80-461

M80-480
M80-481

TOOLS

Recommended Crimp Tool - M22520/2-01

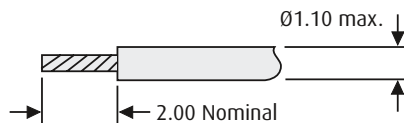
Positioner - T5747

Contact Insertion/Removal Tool - Z80-280

See pages 77 to 79

❖ Instruction sheets available at www.harwin.com/downloads/instructions

WIRE STRIPPING DETAILS



HOW TO ORDER

M80 - XXX XX XX

SERIES CODE

TYPE

460 Large Bore, with Jackscrews*	471 Small Bore, without Jackscrews
461 Small Bore, with Jackscrews*	480 Large Bore, with Hex Jackscrews
470 Large Bore, without Jackscrews	481 Small Bore, with Hex Jackscrews

* Slotted

FINISH

05	Gold	PG
42	Gold + Tin	PG

TOTAL NO. OF CONTACTS

04 to 50

Even numbers only

www.harwin.com

All dimensions in mm.



Datamate Connectors

Datamate Trio-Tek

Female Crimp Trio-Tek

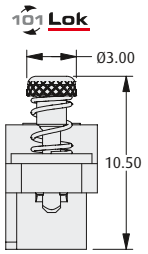
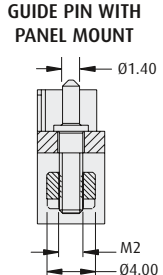
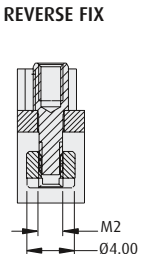
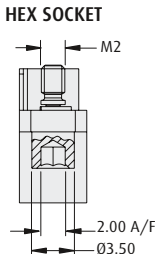
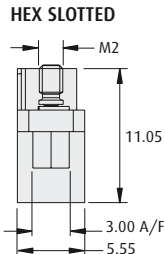
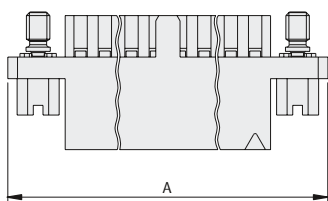
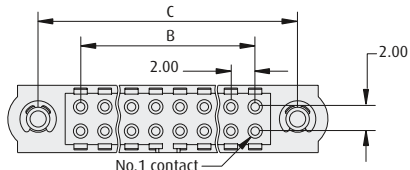
- ❖ Crimp inspection window in housing.
- ❖ Mates with Male connectors shown on pages 34 to 43.
- ❖ Contacts available separately, see page 16.
- ❖ Triangular contact design for automated assembly equipment.
- ❖ Ideal for volume applications.



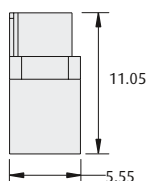
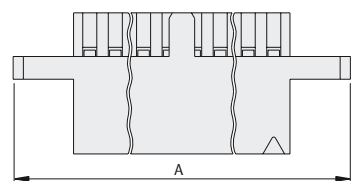
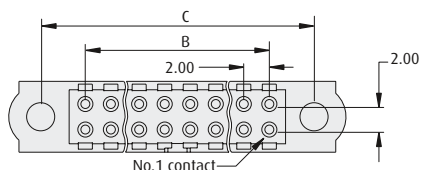
WITH JACKSCREWS

CALCULATION

A	B + 12
B	Total No. of Contacts - 2
C	B + 7



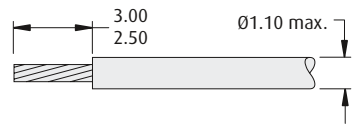
WITHOUT JACKSCREWS



TOOLS

Recommended Crimp Tool - Z80-255
Contact Removal Tool - Z80-258
 See page 78
 ❖ Instruction sheets available at www.harwin.com/downloads/instructions

WIRE STRIPPING DETAILS



HOW TO ORDER

M80 - 45X XX XX

SERIES CODE

HOUSINGS			
454	Without Jackscrews	457	Reverse Fix Jackscrews
455	Hex Slotted Jackscrews	458	Guide pin with panel mount
456	Hex Socket Jackscrews	459	101Lok jackscrews

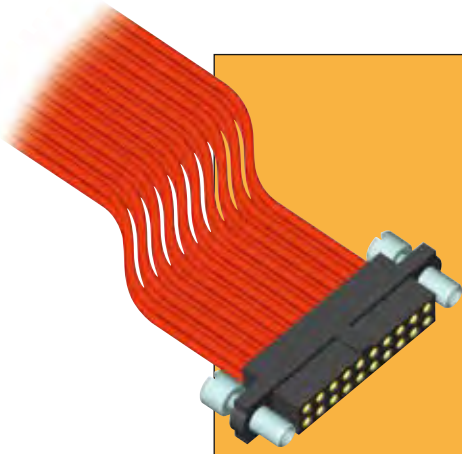
FINISH	
98	Housings

TOTAL NO. OF CONTACTS
06, 08, 10, 12, 14, 20, 26, 34, 42, 50

All dimensions in mm.

www.harwin.com





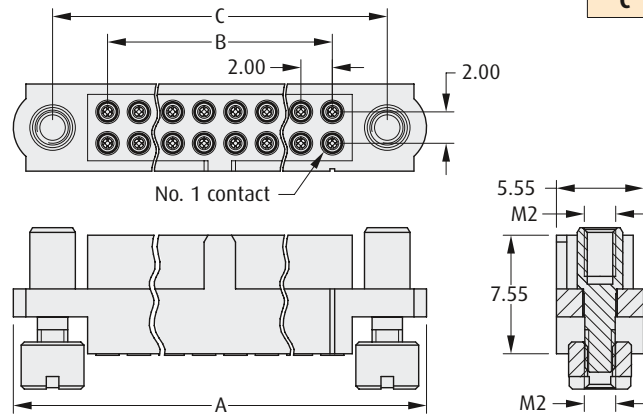
Datamate Connectors

Female Crimp Reverse Fix

- ❖ Mates with male connectors shown on page 41.
- ❖ Allows for further flexibility in system design.
- ❖ Crimp contacts supplied loose.
- ❖ Crimp contacts are rear insertable.
- ❖ Large bore 22 AWG, small bore 24-28 AWG.
- ❖ Part numbers are for housings and the equivalent number of contacts.
- ❖ Spare contacts are available – see page 16.

WITH JACKSCREWS

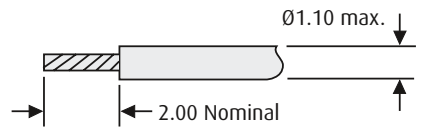
CALCULATION	
A	B + 12
B	Total No. of contacts - 2
C	B + 7



TOOLS

WIRE STRIPPING DETAILS

Recommended Crimp Tool - M22520/2-01
Positioner - T5747
Contact Insertion/Removal Tool - Z80-280
 See pages 77 to 79
 ❖ Instruction sheets available at www.harwin.com/downloads/instructions



HOW TO ORDER

M80 - XXX XX XX

SERIES CODE

TYPE	
462	Large Bore Connector
463	Small Bore Connector

FINISH		
05	Gold	
42	Gold + Tin	

TOTAL NO. OF CONTACTS
04 to 50
<small>Even numbers only</small>

www.harwin.com

All dimensions in mm.



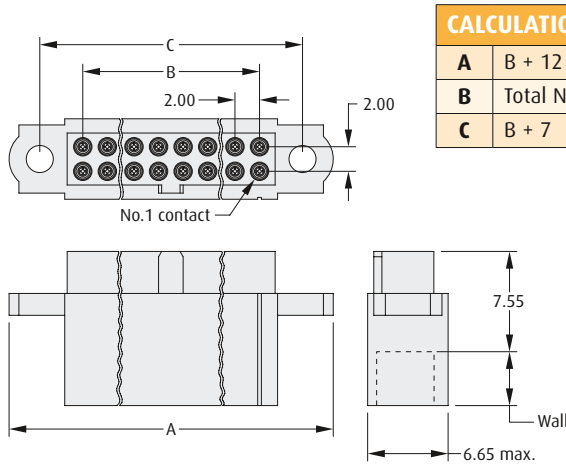
Datamate Connectors

Female Crimp Extended Wall

- Extended Wall Datamate allows back potting to be performed.
- Polarised mouldings.
- Crimp contacts are rear insertable.
- Large bore 22AWG, small bore 24-28 AWG.
- Part numbers are for housings and the equivalent no. of contacts.
- Mates with male connectors shown on pages 34-40 and 42-43.
- Spare contacts are available – see page 16.



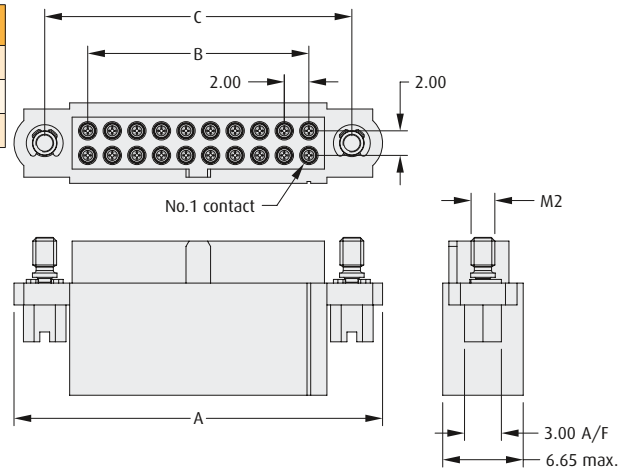
WITHOUT JACKSCREWS



CALCULATION

A	$B + 12$
B	Total No. of contacts - 2
C	$B + 7$

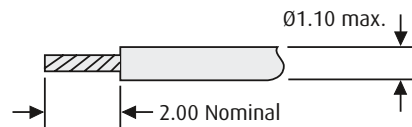
WITH JACKSCREWS



TOOLS

Recommended Crimp Tool – M22520/2-01
Positioner – T5747
Contact Insertion/Removal Tool – Z80-280
 See pages 77 to 79
 Instruction sheets available at www.harwin.com/downloads/instructions

WIRE STRIPPING DETAILS



HOW TO ORDER

M80 - XXX XX XX

SERIES CODE

TYPE	
465	Large Bore, with jackscrews*
466	Small Bore, with jackscrews*
475	Large Bore, without jackscrews
476	Small Bore, without jackscrews
485	Large Bore, with hex jackscrews
486	Small Bore, with hex jackscrews

*Slotted

WALL SIZE

BLANK	Wall = 5mm
A	Wall = 1mm

FINISH

05	Gold	PG
42	Gold + Tin	PG

TOTAL NO. OF CONTACTS

06,10,12,14,18,20,26,34,42,50

All dimensions in mm.

www.harwin.com



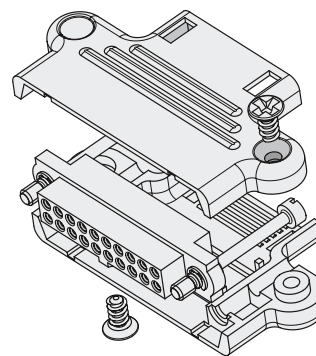
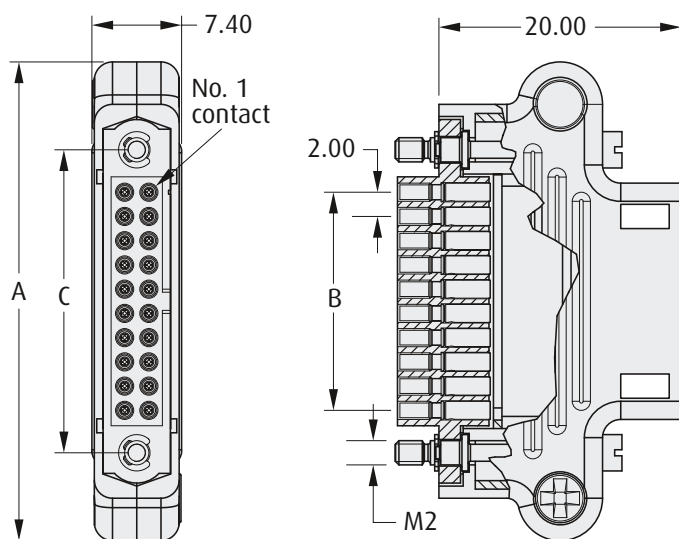
Datamate Connectors

Female Crimp with Hood



- ❖ Supplied as a complete kit, including hood, screws, connector, contacts and jackscrews.
- ❖ For spare crimp contacts, see page 16.
- ❖ Provides strain relief by preventing cable bending at the rear of the connector, and also has the option of inserting a cable tie to reduce pull strain.
- ❖ Mates with male connectors shown on pages 34-40 and 42-43.

FEMALE



CALCULATION

A	$B + 21.5$
B	Total No. of contacts - 2
C	$B + 7$

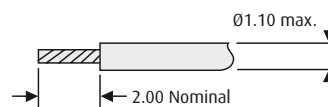
TOOLS

Recommended Crimp Tool - M22520/2-01
Positioner - T5747

Contact Insertion/Removal Tool - Z80-280
 See pages 77 to 79

❖ Instruction sheets available at www.harwin.com/downloads/instructions

WIRE STRIPPING DETAILS



HOW TO ORDER

M80 - 94 X XX XX

SERIES CODE

TYPE

0	Small Bore
1	Large Bore

FINISH

05	Gold	
42	Gold + Tin	

TOTAL NO. OF CONTACTS

06, 10, 12, 14, 20, 26, 34, 42, 50

www.harwin.com

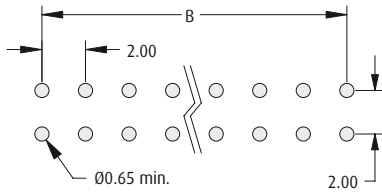
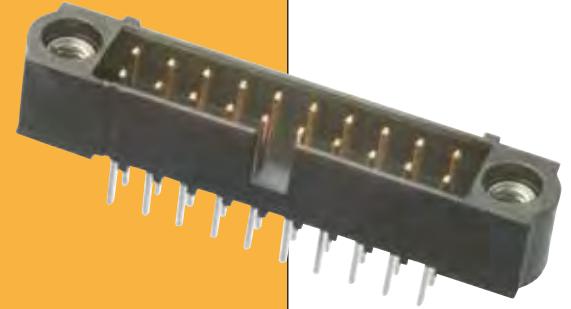
All dimensions in mm.



Datamate Connectors

Male Vertical PC Tail

- ❖ Mates with female connectors shown on pages 26, 28-30 and 32-33.
- ❖ Polarised mouldings.
- ❖ Fully shrouded contacts.
- ❖ Jackscrews are assembled where specified.
- ❖ Choice of PC Tail length.

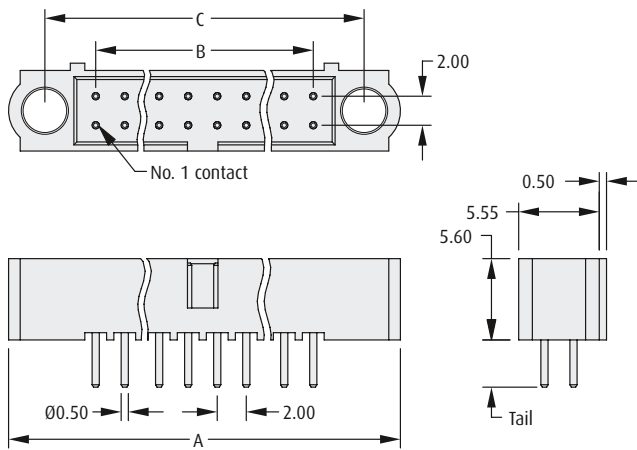


Recommended PC Board Pattern

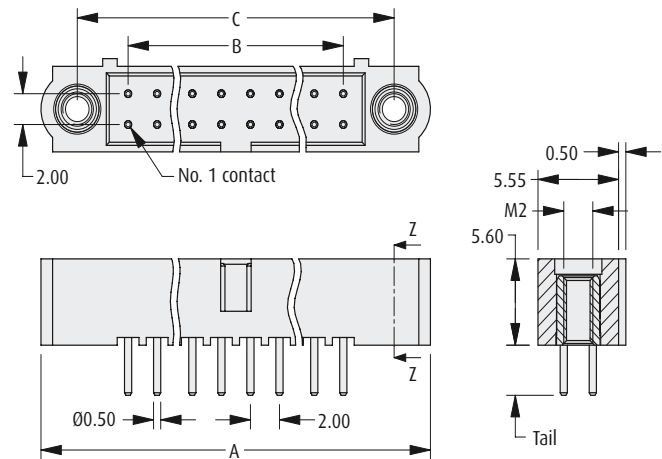
CALCULATION

A	$B + 12$
B	Total No. of contacts - 2
C	$B + 7$

WITHOUT JACKSCREWS



WITH JACKSCREWS



HOW TO ORDER

M80 - 5 X X XX XX

SERIES CODE

0	With Jackscrews
2	Without Jackscrews
0	3mm Tails
1	4.5mm Tails

FINISH

05	Gold	
22	Gold + Tin/Lead	
42	Gold + Tin	

TOTAL NO. OF CONTACTS

04 to 50

Even numbers only

All dimensions in mm.

www.harwin.com

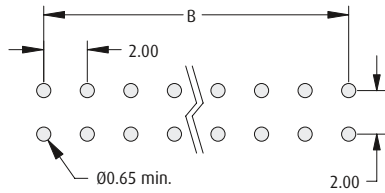


Datamate Connectors

Male Horizontal PC Tail



- ❖ Mates with female connectors shown on pages 26, 28-30 and 32-33.
- ❖ Jackscrews are assembled where specified.
- ❖ Choice of PC Tail length.

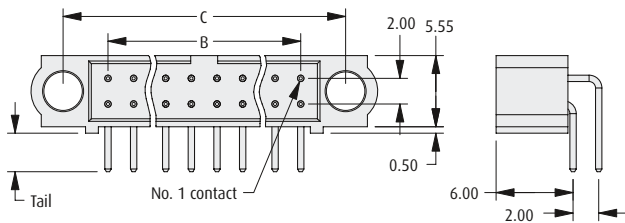
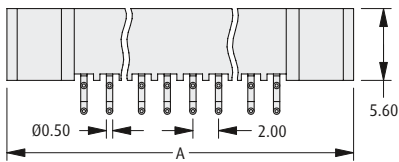


Recommended PC Board Pattern

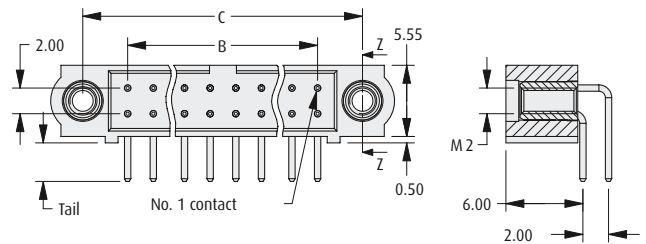
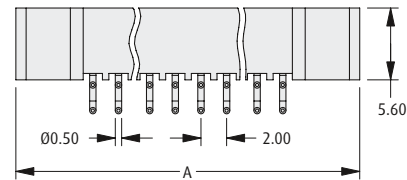
CALCULATION

A	$B + 12$
B	Total No. of contacts - 2
C	$B + 7$

WITHOUT JACKSCREWS



WITH JACKSCREWS



HOW TO ORDER

M80 - 5 X X XX XX

SERIES CODE

3	With Jackscrews
5	Without Jackscrews
0	3mm Tails
1	4.5mm Tails

FINISH

05	Gold	
22	Gold + Tin/Lead	
42	Gold + Tin	

TOTAL NO. OF CONTACTS

04 to 50

Even numbers only

www.harwin.com

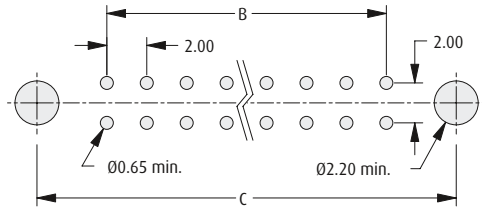
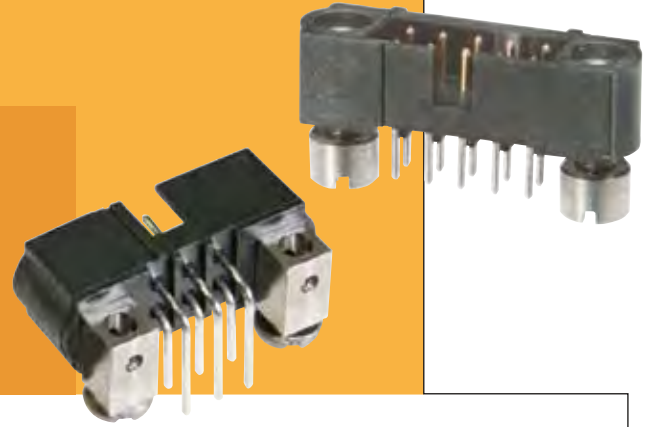
All dimensions in mm.



Datamate Connectors

Male PC Tail with Board Mount

- ❖ Mates with female connectors shown on pages 26, 28-30 and 32-33.
- ❖ Board mounts provide PCB strain relief.

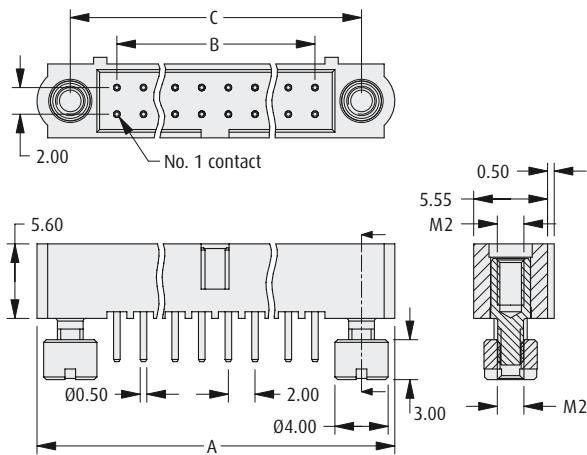


Recommended PC Board Pattern

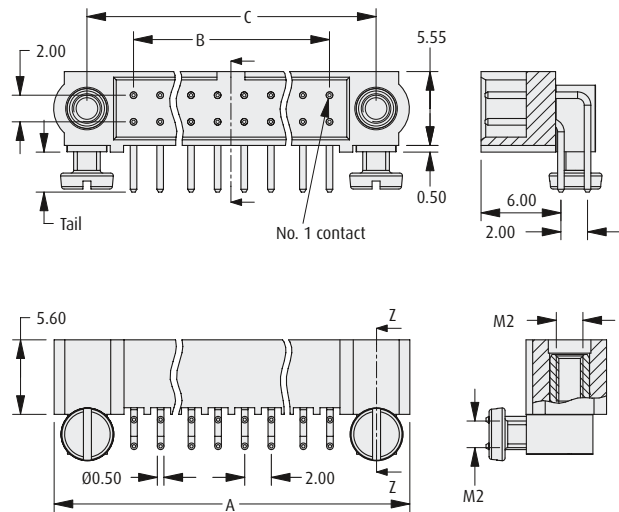
CALCULATION

A	$B + 12$
B	Total No. of contacts - 2
C	$B + 7$

VERTICAL



HORIZONTAL



HOW TO ORDER

M80 - 5 X X XX XX

SERIES CODE

1	Vertical
4	Horizontal
0	3mm Tails
1	4.5mm Tails

FINISH

05	Gold	
22	Gold + Tin/Lead	
42	Gold + Tin	

TOTAL NO. OF CONTACTS

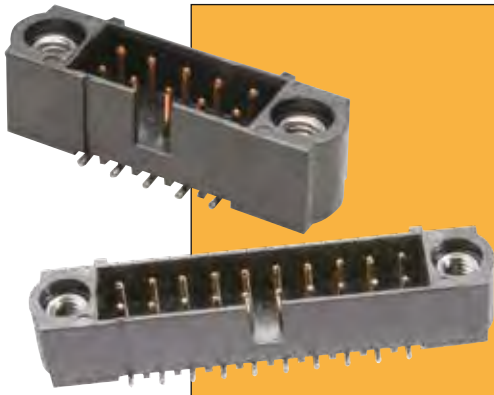
04 to 50

Even numbers only

All dimensions in mm.

www.harwin.com

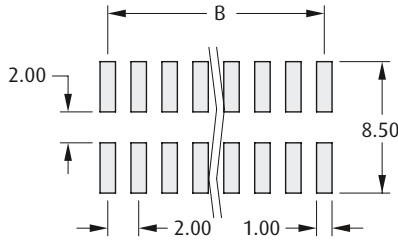




Datamate Connectors

Male Vertical Surface Mount

- ❖ Contact datamate@harwin.com for tape & reel options.
- ❖ Optional pick and place cap.
- ❖ Mates with female connectors shown on pages 26, 28-30 and 32-33.
- ❖ Gull wing SMT tails simplify inspection process.

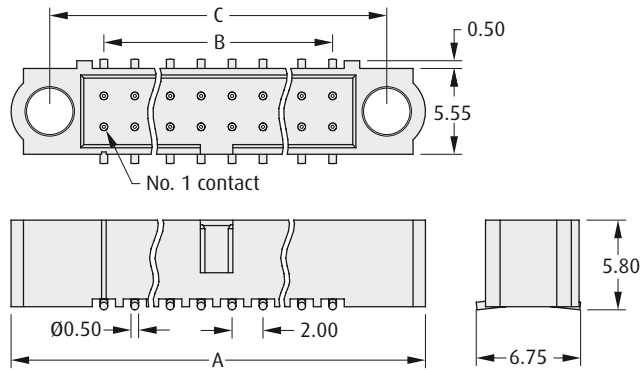


Recommended PC Board Pattern

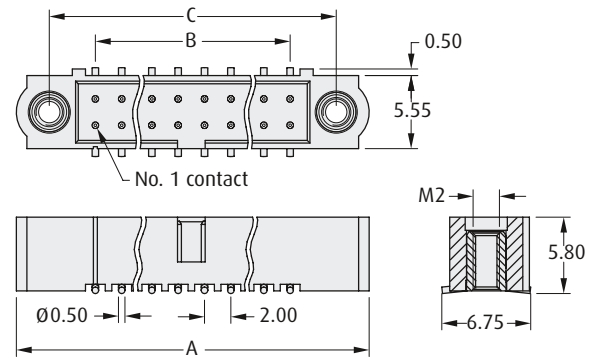
CALCULATION

A	$B + 12$
B	Total No. of contacts - 2
C	$B + 7$

WITHOUT JACKSCREWS



WITH JACKSCREWS



HOW TO ORDER

M80 - 5 X 2 XX XX P

SERIES CODE

TYPE

0	With Jackscrews
2	Without Jackscrews

TOTAL NO. OF CONTACTS

04 to 50

Even numbers only

PICK AND PLACE CAP

BLANK	No cap
P	Pick and place cap

FINISH

05	Gold	
22	Gold + Tin/Lead	
42	Gold + Tin	

www.harwin.com

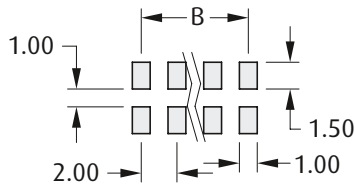
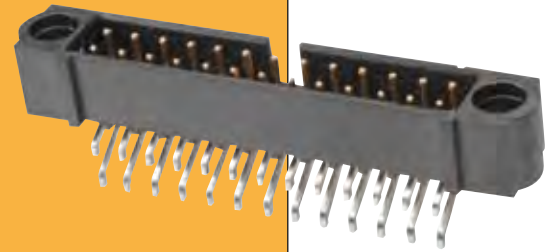
All dimensions in mm.



Datamate Connectors

Male Horizontal Surface Mount

- ❖ Contact datamate@harwin.com for tape & reel options.
- ❖ Mates with female connectors shown on pages 26, 28-30 and 32-33.
- ❖ Stamped contact ensures co-planarity.

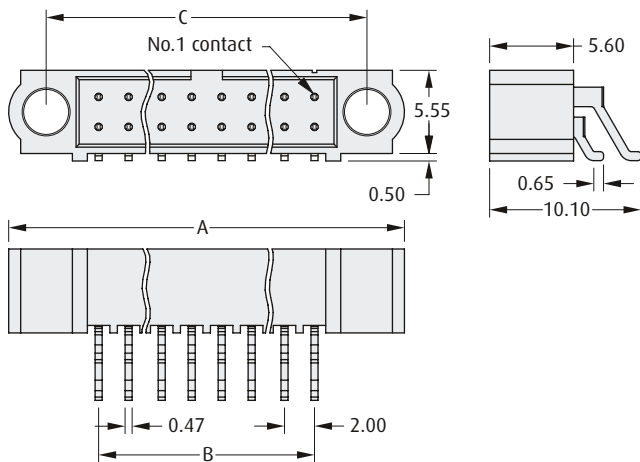


Recommended PC Board Pattern

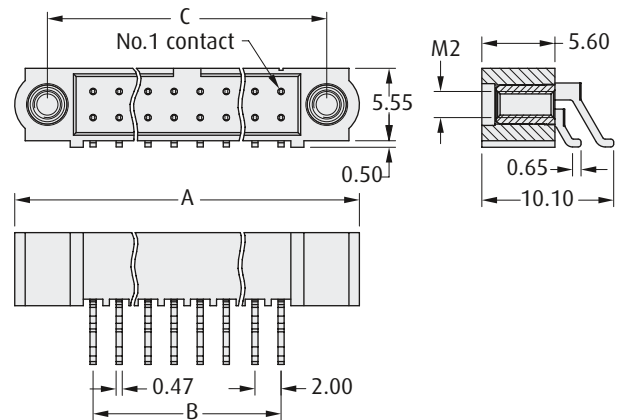
CALCULATION

A	$B + 12$
B	Total No. of contacts - 2
C	$B + 7$

WITHOUT JACKSCREWS



WITH JACKSCREWS



HOW TO ORDER

M80 - 5 X 2 XX XX

SERIES CODE

TYPE

3	With Jackscrews
5	Without Jackscrews

FINISH

05	Gold	
22	Gold + Tin/Lead	
42	Gold + Tin	

TOTAL NO. OF CONTACTS

04 to 50

Even numbers only

All dimensions in mm.

www.harwin.com



Datamate Connectors

Male Surface Mount with Board Mount



- ❖ 3.5mm jackscrew suitable for board thickness up to 1.6mm.
- ❖ 5mm jackscrew suitable for board thickness up to 3.2mm.
- ❖ Mates with female connectors shown on pages 26, 28-30 and 32-33.

VERTICAL	HORIZONTAL								
<p style="text-align: center;">Recommended PC Board Pattern</p>	<p style="text-align: center;">Recommended PC Board Pattern</p>								
<table border="1" style="margin: auto; border-collapse: collapse;"> <thead> <tr style="background-color: #f4a460; color: white;"> <th colspan="2">CALCULATION</th> </tr> </thead> <tbody> <tr> <td style="padding: 2px 5px;">A</td> <td style="padding: 2px 5px;">$B + 12$</td> </tr> <tr> <td style="padding: 2px 5px;">B</td> <td style="padding: 2px 5px;">Total No. of contacts - 2</td> </tr> <tr> <td style="padding: 2px 5px;">C</td> <td style="padding: 2px 5px;">$B + 7$</td> </tr> </tbody> </table>		CALCULATION		A	$B + 12$	B	Total No. of contacts - 2	C	$B + 7$
CALCULATION									
A	$B + 12$								
B	Total No. of contacts - 2								
C	$B + 7$								

HOW TO ORDER

M80 - 5 X X XX XX P

SERIES CODE

1	Vertical
4	Horizontal
2	3.5mm Jackscrew
3	5mm Jackscrew

TOTAL NO. OF CONTACTS

04 to 50

Even numbers only

PICK AND PLACE CAP

BLANK	No cap
P	Pick and place cap (M80-51X)

FINISH

05	Gold	
22	Gold + Tin/Lead	
42	Gold + Tin	

www.harwin.com

All dimensions in mm.



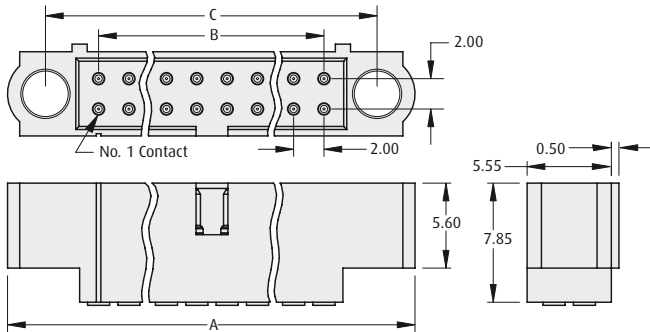
Datamate Connectors

Male Crimp

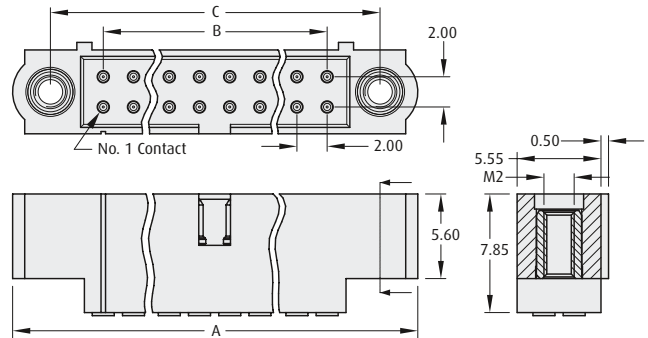
- ❖ Mates with female connectors shown on pages 26, 28-30 and 32-33.
- ❖ Jackscrews are assembled where specified.
- ❖ Crimp contacts supplied loose.
- ❖ Crimp contacts are rear insertable and replaceable.
- ❖ Large bore 22 AWG, small bore 24-28 AWG.
- ❖ Part numbers are for housings and the equivalent no. of contacts.
- ❖ Spare contacts are available – see page 17.



WITHOUT JACKSCREWS



WITH JACKSCREWS



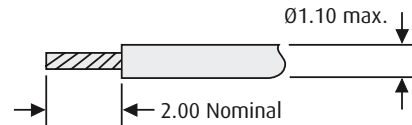
CALCULATION

A	B + 12
B	Total No. of contacts - 2
C	B + 7

TOOLS

Recommended Crimp Tool – M22520/2-01
Positioner – Z80-193
Contact Insertion/Removal Tool – Z80-280
 See pages 77 to 79
 ❖ Instruction sheets available at www.harwin.com/downloads/instructions

WIRE STRIPPING DETAILS



HOW TO ORDER

M80 - XXX XX 05

SERIES CODE

FINISH

05

Gold



TYPE

560	Large Bore, with Jackscrews	570	Large Bore, without Jackscrews
561	Small Bore, with Jackscrews	571	Small Bore, without Jackscrews

TOTAL NO. OF CONTACTS

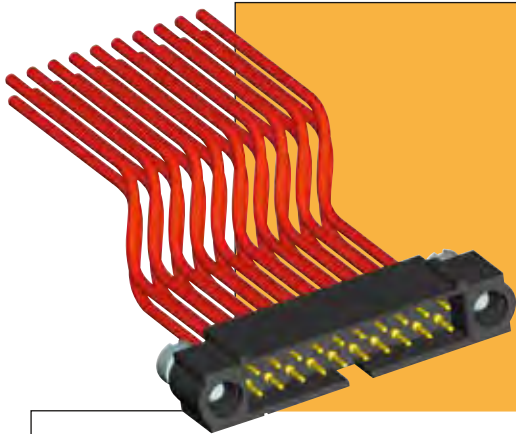
04 to 50

Even numbers only

All dimensions in mm.

www.harwin.com





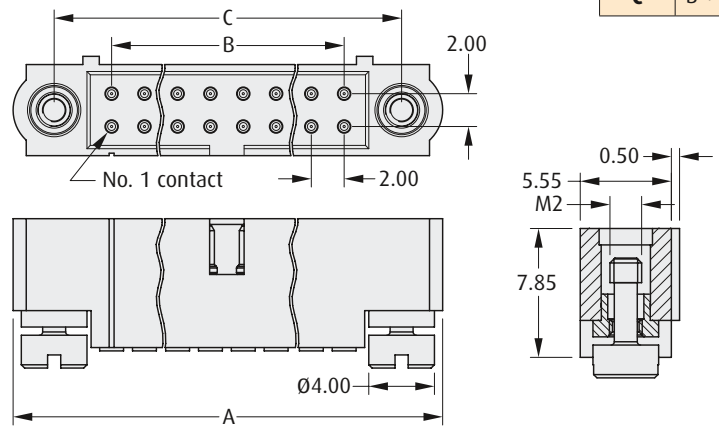
Datamate Connectors

Male Crimp Reverse Fix

- ❖ Mates with female connectors shown on pages 27, 30 and 31.
- ❖ Allows for further flexibility in system design.
- ❖ Crimp contacts supplied loose.
- ❖ Crimp contacts are rear insertable and replaceable.
- ❖ Large bore 22 AWG, small bore 24-28 AWG.
- ❖ Part numbers are for housings and the equivalent number of contacts.
- ❖ Spare contacts are available – see page 17.

WITH JACKSCREWS

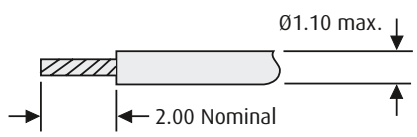
CALCULATION	
A	B + 12
B	Total No. of contacts – 2
C	B + 7



TOOLS

WIRE STRIPPING DETAILS

Recommended Crimp Tool – M22520/2-01
Positioner – Z80-193
Contact Insertion/Removal Tool – Z80-280
 See pages 77 to 79
 ❖ Instruction sheets available at www.harwin.com/downloads/instructions



HOW TO ORDER

M80 - XXX XX 05

SERIES CODE	M80	FINISH	05 Gold
TYPE	562 Large Bore Connector 563 Small Bore Connector	TOTAL NO. OF CONTACTS	04 to 50 <small>Even numbers only</small>

www.harwin.com

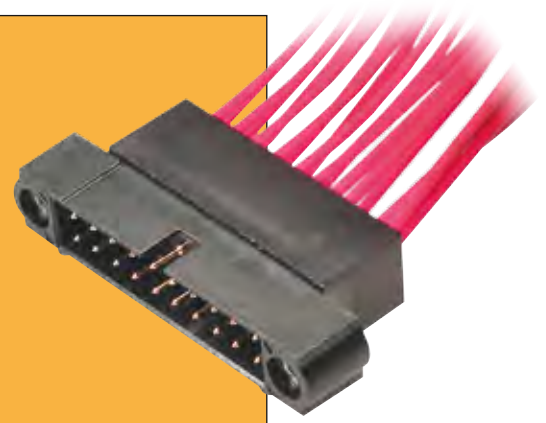
All dimensions in mm.



Datamate Connectors

Male Crimp Extended Wall

- ❖ Extended Wall Datamate allows back potting to be performed.
- ❖ Cost effective alternative to overmoulding.
- ❖ Fully shrouded contacts.
- ❖ Large bore 22 AWG, small bore 24-28 AWG.
- ❖ Part numbers are for housings and the equivalent no. of contacts.
- ❖ Mates with female connectors shown on pages 26, 28-30 and 32-33.
- ❖ Spare contacts are available – see page 17.

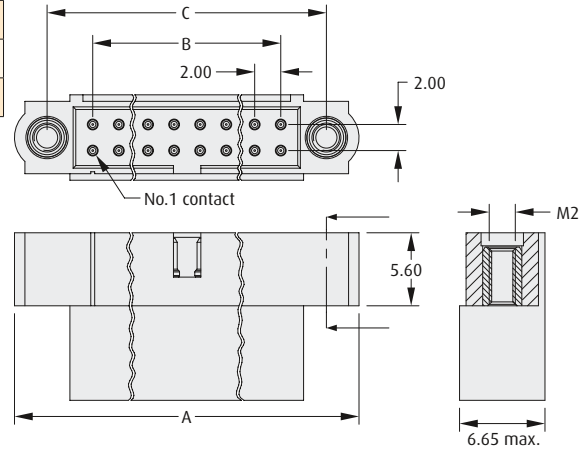
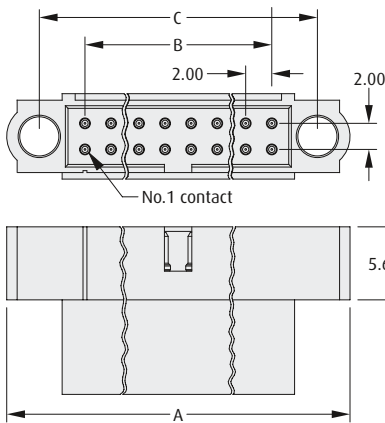


WITHOUT JACKSCREWS

WITH JACKSCREWS

CALCULATION

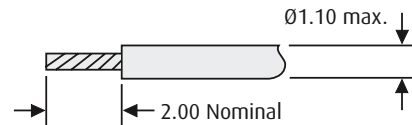
A	$B + 12$
B	Total No. of contacts - 2
C	$B + 7$



TOOLS

Recommended Crimp Tool – M22520/2-01
Positioner – T5747
Contact Insertion/Removal Tool – Z80-280
 See pages 77 to 79
 ❖ Instruction sheets available at www.harwin.com/downloads/instructions

WIRE STRIPPING DETAILS



HOW TO ORDER

M80 - XXX XX 05

SERIES CODE

TYPE

565	Large Bore, with Jackscrews	575	Large Bore, without Jackscrews
566	Small Bore, with Jackscrews	576	Small Bore, without Jackscrews

WALL SIZE

BLANK	Wall = 5mm
A	Wall = 1mm

FINISH

05 Gold

TOTAL NO. OF CONTACTS

06, 10, 14, 20, 26, 34

All dimensions in mm.

www.harwin.com



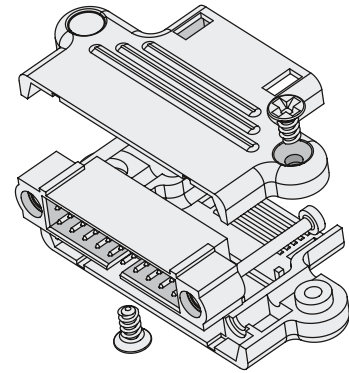
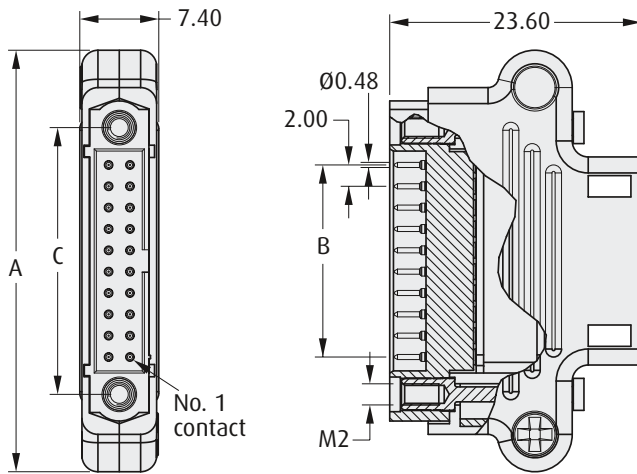


Datamate Connectors

Male Crimp with Hood

- ❖ Supplied as a complete kit, including hood, screws, connector, contacts and jackscrews.
- ❖ For spare crimp contacts, see page 17.
- ❖ Provides strain relief by preventing cable bending at the rear of the connector, and also the option of inserting a cable tie to reduce pull strain.
- ❖ Mates with female connectors shown on pages 26, 28-30 and 32-33.

MALE



CALCULATION	
A	$B + 21.5$
B	Total No. of contacts - 2
C	$B + 7$

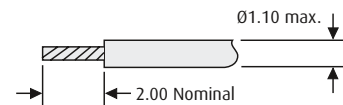
TOOLS

Recommended Crimp Tool - M22520/2-01
Positioner - Z80-193

Contact Insertion/Removal Tool - Z80-280
 See pages 77 to 79

❖ Instruction sheets available at www.harwin.com/downloads/instructions

WIRE STRIPPING DETAILS



HOW TO ORDER

M80 - 94 X XX XX

SERIES CODE

TYPE

2	Small Bore
3	Large Bore

FINISH

05 Gold

TOTAL NO. OF CONTACTS

06, 10, 12, 14, 20, 26, 34, 42, 50

www.harwin.com

All dimensions in mm.

