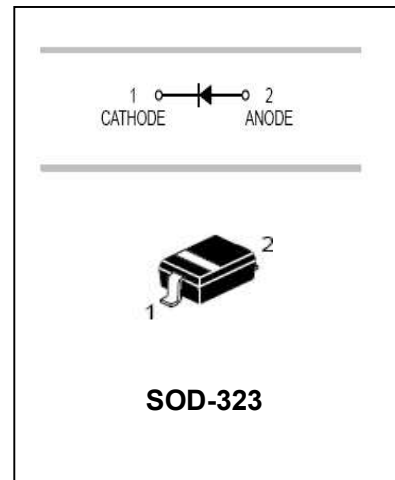


## Schottky Barrier Diode

## MA729

### FEATURES

- For super-high speed switching circuit
- For small current rectification
- Allowing to rectify under ( $I_{F(AV)}=200\text{mA}$ ) condition
- Allowing high-density mounting



### APPLICATIONS

- Schottky epitaxial planar

### ORDERING INFORMATION

Type No.	Marking	Package Code
MA729	2B	SOD-323

### MAXIMUM RATING @ $T_a=25^\circ\text{C}$ unless otherwise specified

Parameter	Symbol	Limits	Unit
DC reverse voltage	$V_R$	30	V
Repetitive peak reverse voltage	$V_{RRM}$	30	V
Peak forward Current	$I_{FM}$	300	mA
Average forward Current	$I_{F(AV)}$	200	mA
Non-repetitive peak forward Surge Current	$I_{FSM}$	1000	mA
Power Dissipation	$P_d$	200	mW
Junction temperature	$T_j$	150	$^\circ\text{C}$
Storage temperature range	$T_{stg}$	-55 to +150	$^\circ\text{C}$

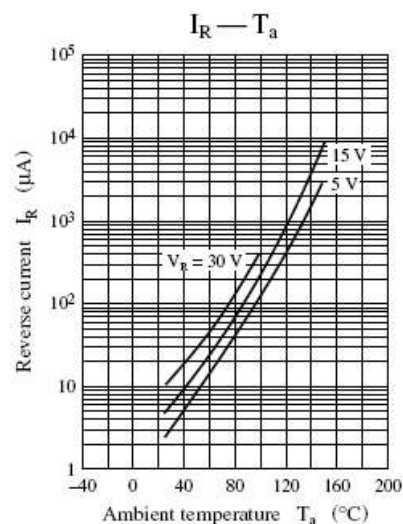
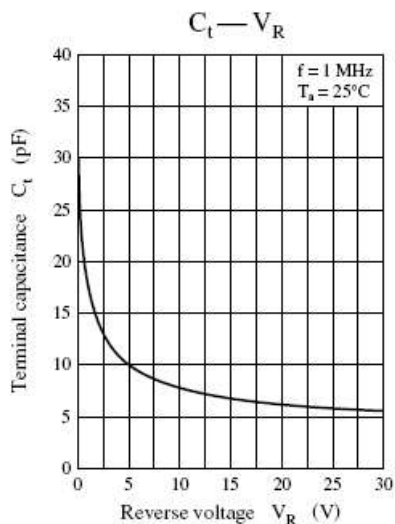
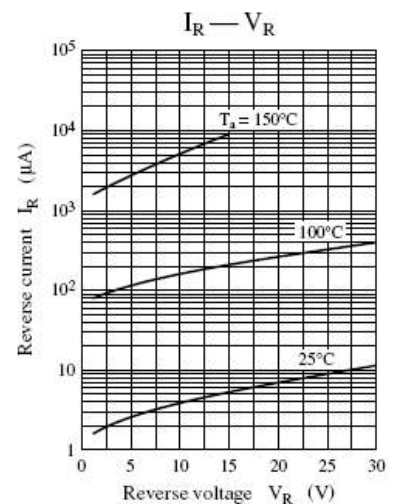
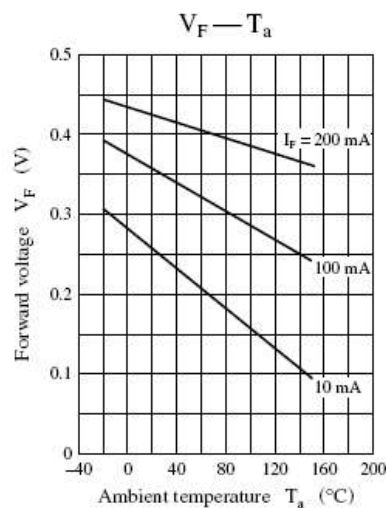
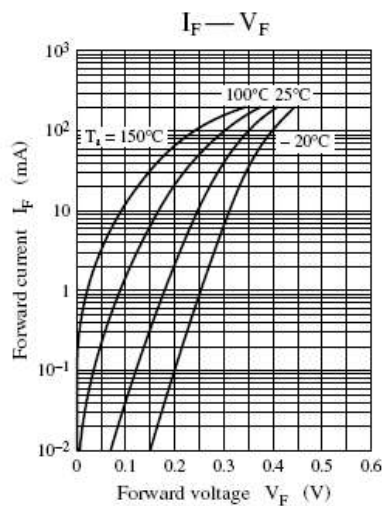
## Schottky Barrier Diode

## MA729

### ELECTRICAL CHARACTERISTICS @ Ta=25°C unless otherwise specified

Parameter	Symbol	Conditions	Min.	Typ.	Max.	Unit
Reverse Breakdown Voltage	$V_{(BR)R}$	$I_R=100\mu A$	30			V
Forward voltage	$V_F$	$I_F=200mA$			0.55	V
Reverse leakage current	$I_R$	$V_R=30V$			50	$\mu A$
Reverse recovery time	$t_{rr}$	$I_F=I_R=100mA$ , $I_{rr}=10mA, R_L=100\Omega$		3.0		ns
Total capacitance	$C_T$	$V_R=0V, f=1.0MHz$		30		pF

### TYPICAL CHARACTERISTICS @ Ta=25°C unless otherwise specified



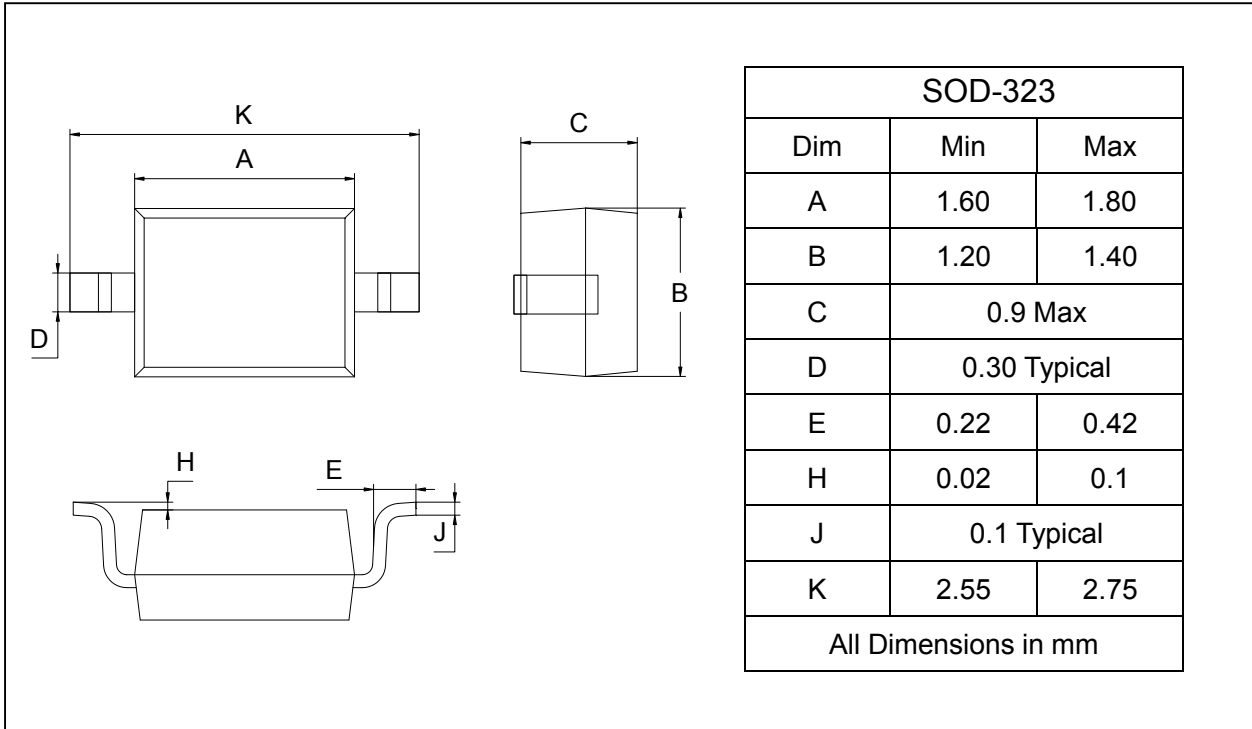
## Schottky Barrier Diode

## MA729

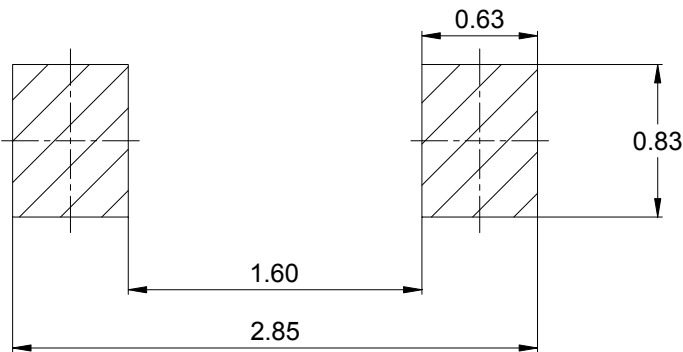
### PACKAGE OUTLINE

Plastic surface mounted package

SOD-323



### SOLDERING FOOTPRINT



Unit : mm

### PACKAGE INFORMATION

Device	Package	Shipping
MA729	SOD-323	3000/Tape&Reel