

# MICRO ELECTRONICS

MB15G

LED BACKLIGHT  
FOR LCD DISPLAY

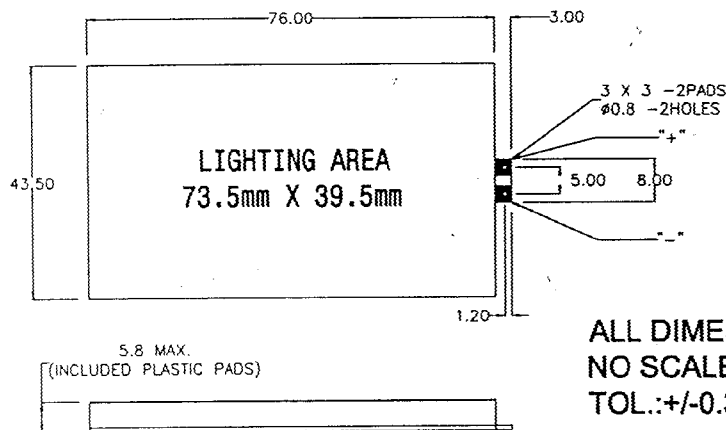
## ABSOLUTE MAXIMUM RATINGS

Forward Current	$I_F$	660mA
Reverse Voltage	$V_R$	10V
Operating Temperature	$T_{opr}$	-20 to +70°C
Storage Temperature	$T_{stg}$	-30 to +80°C

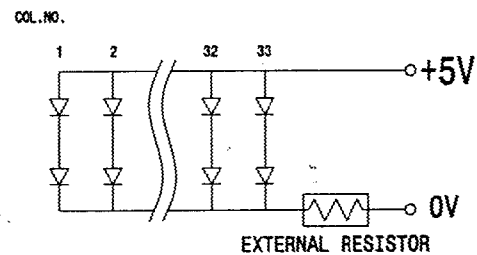
## ELECTRO-OPTICAL CHARACTERISTICS (Ta=25°C)

PARAMETER	SYMBOL	MIN	TYP	MAX	UNIT	CONDITIONS
Forward Voltage	$V_F$	3.6	4.0	5.2	V	$I_F=330mA$
Reverse Current	$I_R$			330	$\mu A$	$V_R=10V$
Peak Wavelength	$\lambda_p$		565		nm	$I_F=330mA$
Spectral Line Half Width	$\Delta\lambda$		35		nm	$I_F=330mA$
Brightness	B	60			cd/m <sup>2</sup>	$I_F=330mA$

## MECHANICAL OUTLINE



## CIRCUIT DIAGRAM



ALL DIMENSION IN mm  
NO SCALE  
TOL.: +/-0.3MM



MICRO ELECTRONICS LTD.

38, Hung To Road, Microtron Building, Kwun Tong, Kowloon, Hong Kong.

Kwun Tong P.O. Box 69477 Hong Kong. Fax No. 2341 0321 Telex: 43510 Micro Hx. Tel: 2343 0181-5

Rev A