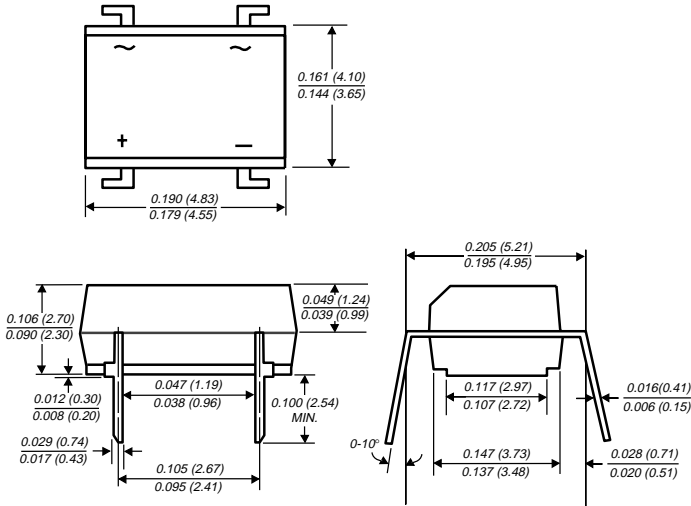


MB2M THRU MB6M

MINIATURE GLASS PASSIVATED SINGLE-PHASE BRIDGE RECTIFIER

Reverse Voltage - 200 to 600 Volts Forward Current - 0.5 Ampere

Case Style MBM



Dimensions in inches and (millimeters)

FEATURES

- ◆ Plastic package has Underwriters Laboratory Flammability Classification 94V-0
- ◆ This series is UL recognized under Component Index, file number E54214
- ◆ Glass passivated chip junctions
- ◆ High surge overload rating: 35A peak
- ◆ Saves space on printed circuit board
- ◆ High temperature soldering guaranteed: 260°C/10 seconds, at 5 lbs. (2.3kg) tension



MECHANICAL DATA

Case: Molded plastic body over passivated junctions

Terminals: Plated leads solderable per MIL-STD-750, Method 2026

Polarity: Polarity symbols marked on body

Mounting Position: Any

Weight: 0.078 ounce, 0.22 gram

MAXIMUM RATINGS AND ELECTRICAL CHARACTERISTICS

Ratings at 25°C ambient temperature unless otherwise specified.

	SYMBOLS	MB2M	MB4M	MB6M	UNITS
Device marking code		2	4	6	
Maximum repetitive peak reverse voltage	V _{RRM}	200	400	600	Volts
Maximum RMS voltage	V _{RMS}	140	280	420	Volts
Maximum DC blocking voltage	V _{DC}	200	400	600	Volts
Maximum average forward output rectified current at T _A =30°C - on glass-epoxy P.C.B. (NOTE 1) on aluminum substrate (NOTE 2)	I _(AV)		0.5 0.8		Amp
Peak forward surge current 8.3msec. single half sine-wave superimposed on rated load (JEDEC Method)	I _{FSM}		35.0		Amps
Rating for fusing (t<8.3ms)	I ² t		5.0		A ² sec
Maximum instantaneous forward voltage drop per leg at 0.4A	V _F		1.0		Volts
Maximum DC reverse current at rated DC blocking voltage per leg	I _R		5.0 500		μA
Typical junction capacitance per leg (NOTE 3)	C _J		13.0		pF
Typical thermal resistance per leg (NOTE 1)	R _{θJL}		20.0		°C/W
(NOTE 1)	R _{θJA}		85.0		
(NOTE 2)	R _{θJA}		70.0		
Operating junction and storage temperature range	T _J , T _{STG}		-55 to +150		°C

NOTES:

- (1) On glass epoxy P.C.B. mounted on 0.05 x 0.05" (1.3 x 1.3mm) solder pads
- (2) On aluminum substrate P.C.B. with an area of 0.8 x 0.8 x 0.25" (20 x 20 x 6.4mm) mounted on 0.05 x 0.05" (1.3 x 1.3mm) solder pad
- (3) Measured at 1.0 MHz and applied reverse voltage of 4.0 Volts

RATINGS AND CHARACTERISTIC CURVES MB2M THRU MB6M

FIG. 1 - DERATING CURVE FOR OUTPUT RECTIFIED CURRENT

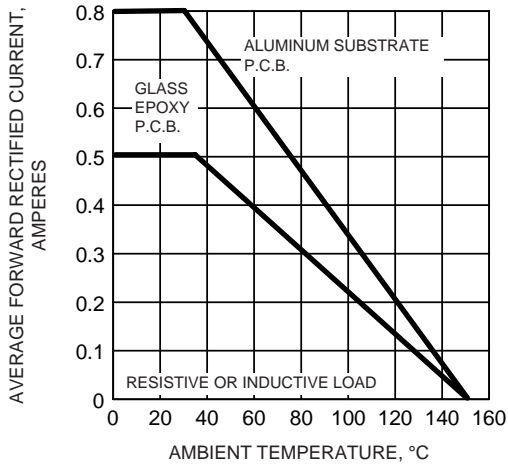


FIG. 2 - MAXIMUM NON-REPETITIVE PEAK FORWARD SURGE CURRENT PER LEG

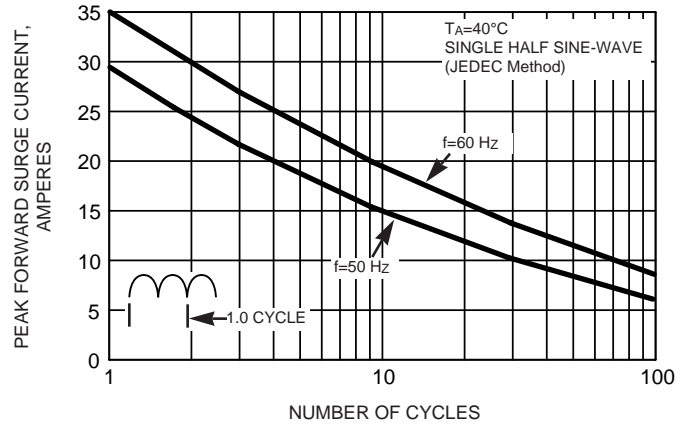


FIG. 3 - TYPICAL FORWARD VOLTAGE CHARACTERISTICS PER LEG

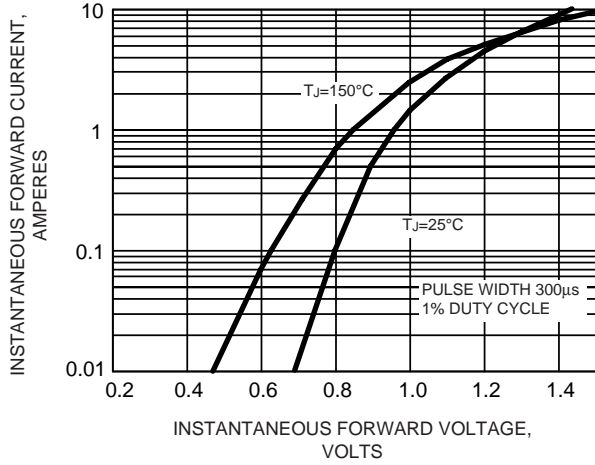


FIG. 4 - TYPICAL REVERSE LEAKAGE CHARACTERISTICS PER LEG

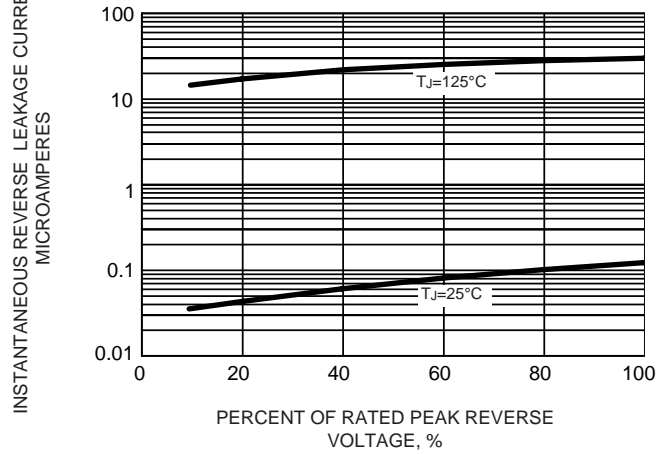


FIG. 5 - TYPICAL JUNCTION CAPACITANCE PER LEG

