

Mixed Signal Division

MB86064

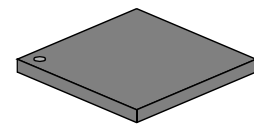
October 2004
Version 1.1

FME/MS/DAC80/FL/5085

Dual 14-bit 1GSa/s DAC

The Fujitsu MB86064 is a Dual 14-bit 1GSa/s digital to analog converter (DAC), delivering exceptional dynamic performance. Each high performance DAC core is capable of generating multi-standard, multi-carrier communication transmit signals, suitable for 2, 2.5 and 3G systems. DAC data is input via two high-speed LVDS ports. These operate in a pseudo double data rate (DDR) mode, with data latched on both rising and falling edges. Alternatively, the device can be configured as a multiplexed dual-port single DAC. To simplify system integration the DAC operates from a clock running at half the DAC conversion rate.

PLASTIC PACKAGE EFBGA-120

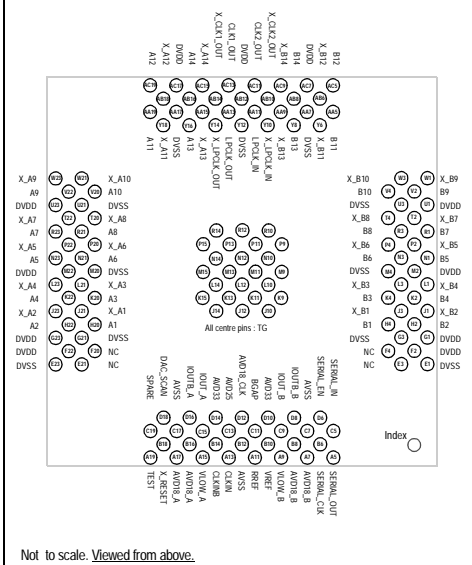


Package Dimensions
12 mm x 12 mm

Features

- Dual 14-bit, 1GSa/s Digital to Analog conversion
- Exceptional dynamic performance
 - 74dBc ACLR for 4 UMTS carriers @ 276MHz direct-IF
- 100MHz image-free generated bandwidth capability
 - supports UMTS plus digital pre-distortion bandwidth
- Proprietary performance enhancement features
- LVDS data interface
- Register selectable on-chip LVDS termination resistors
- Fujitsu 4-wire serial control interface
- Two 16k point programmable on-chip waveform memories
- Low power 3.3V analog and 1.8V digital operation
- 750mW per DAC power dissipation at 1GSa/s
- 0.18µm CMOS technology with Triple Well
- Performance enhanced EFBGA package
- Industrial temperature range (-40°C to +85°C)

PIN ASSIGNMENT



Applications

- Multi-carrier, Multi-standard cellular infrastructure
 - CDMA, W-CDMA, GSM/EDGE, UMTS
- Wideband communications systems
- High Direct-IF architectures
- Arbitrary waveform generation
- Test equipment
- Radar, video & display systems

Functional Overview

The MB86064 is a high performance Dual 14-bit 1GSa/s DAC. In addition to two DAC cores the device features a host of features designed to help both system integration and operation. A functional block diagram is shown in Figure 1. Analog performance at high frequencies is enhanced by novel current switch and switch driver designs which provide constant data-independent switching delay, reducing jitter and distortion.

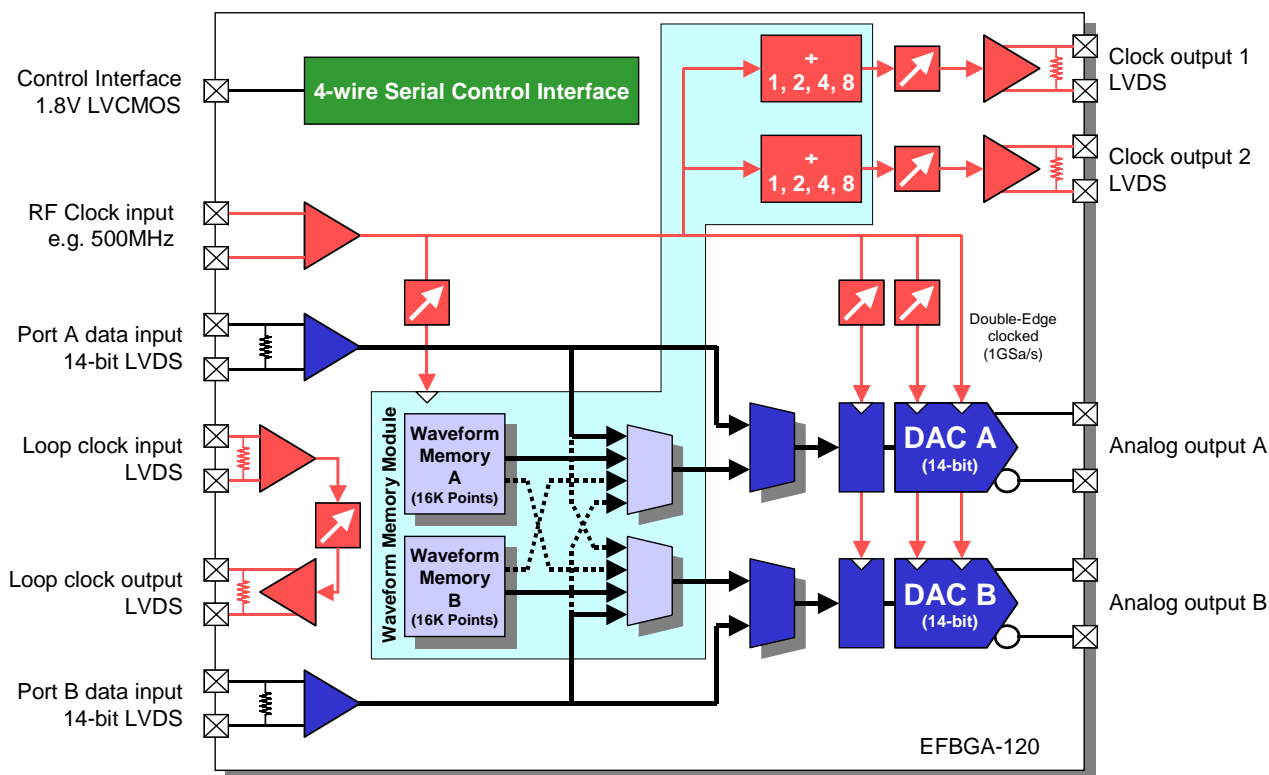


Figure 1 MB86064 Functional Block Diagram

The device requires an input clock at half the DAC conversion rate as each DAC core is clocked on both edges of the input clock. Each DAC core can be regarded as two interleaved DACs, each running at half rate. The main reason for adopting this approach is that the switch driver inherently includes a multiplex function through its two input ports. Compared to a conventional switch driver this allows twice as long to acquire and convert, though because the two paths share current sources they match exactly at low frequencies. A characteristic of this architecture is a suppressed image appearing reflected about $F_s(\text{dac})/4$ of $F_{\text{clk}} - F_{\text{sig}}$. Duty cycle error in the input clock will exacerbate this image, but can be minimised by trimming the differential DC offset at the clock input pins.

The big advantage of this approach compared to a single DAC running at half the rate is much reduced $\sin x/x$ roll off, which gives increased output power and better in-band flatness when generating high output frequencies (e.g. 200MHz and above). This is illustrated in Figure 2 as line 1. An alternative approach using a return-to-zero output stage has the same $\sin x/x$ roll off (and switch driver speed) but 6dB lower output power and a large image at $F_{\text{clk}} - F_{\text{out}}$. See Line 2.

MB86064 Dual 14-bit 1GSa/s DAC

Line 3 illustrates a conventional DAC running at half rate.

Input Data

Unsigned binary data to each DAC core is input via a dedicated parallel LVDS port. As with the DAC core, data is latched on every rising and falling edge of the clock in a pseudo DDR mode. For synchronisation of data generator(s) two LVDS clock outputs and a Loop-Clock facility are provided.

Loop-Clock

Maintaining valid clock-to-data timing becomes increasingly difficult at higher clock rates, particularly taking into account device-to-device variations. The MB86064 minimises potential problems through its DDR data interface and by providing a loop-clock facility. The on-chip 'loop' consists of an LVDS input connected to an LVDS output, through a programmable delay stage. This loop-through, and the associated tracking from the data generating device, should be incorporated in the feedback loop of a Delay-Locked Loop (DLL) or Phase-Locked Loop (PLL) clock generator, within the data generating device. This enables the system to compensate for variations in input/output delays in both the data generating device and the DAC.

Performance Enhancement Features

Each DAC core integrates a number of performance enhancing features. Performance levels now reach the level sought after for next generation systems and high direct-IF architectures.

Serial Control Interface

A Fujitsu 4-wire serial interface is provided for configuration and control of the DAC. Programmed data is stored in a number of read/writable registers.

Waveform Memory Module

The MB86064 incorporates a Waveform Memory Module featuring two 16k point on-chip waveform memories. These allow the DAC cores to be driven with user programmed waveforms without the need for external high speed, pattern generators.

Development Kit

A comprehensive Development Kit (DK), DK86064, is available which comprises a number of modules. A base motherboard provides an interface to the DAC, Clock and Data modules. Also included is a PC USB Interface Lead & Control Software.

For further details, please refer to the associated documentation.

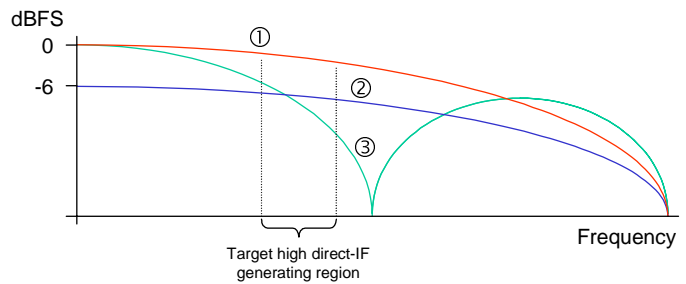


Figure 2 Benefits of DAC core architecture to Sinx/x response



Worldwide Headquarters

Japan

Tel: +81 44 754 3753 **Fujitsu Limited**
Fax: +81 44 754 3329 Kamikodanaka 4-1-1
Nakahara-ku
Kawasaki-shi
Kanagawa-ken 211-8588
Japan

<http://www.fujitsu.com>

USA

Tel: +1 408 737 5600 **Fujitsu Microelectronics America, Inc.**
Fax: +1 408 737 5999 1250 E. Arques Avenue, M/S 333
Sunnyvale, CA 94088-3470
USA

Tel: +1 800 866 8608 Customer Response Center
Fax: +1 408 737 5984 Mon-Fri: 7am-5pm (PST)

<http://www.fma.fujitsu.com/>

Asia

Tel: +65 281 0770 **Fujitsu Microelectronics Asia Pte Ltd**
Fax: +65 281 0220 151 Lorong Chauan
New Tech Park
#05-08
Singapore 556741

<http://www.fmal.fujitsu.com>

Europe

Tel: +49 6103 6900 **Fujitsu Microelectronics Europe GmbH**
Fax: +49 6103 690122 Am Siebenstein 6-10
D-63303 Dreieich-Buchsschlag
Germany

<http://www.fme.fujitsu.com/>

The contents of this document are subject to change without notice. Customers are advised to consult with FUJITSU sales representatives before ordering.

The information and circuit diagrams in this document presented as examples of semiconductor device applications, and are not intended to be incorporated in devices for actual use. Also, FUJITSU is unable to assume responsibility for infringement of any patent rights or other rights of third parties arising from the use of this information or circuit diagrams. No license is granted by implication or otherwise under any patent or patent rights of Fujitsu Microelectronics Europe GmbH.

FUJITSU semiconductor devices are intended for use in standard applications (computers, office automation and other office equipment, industrial, communications, and measurement equipment, personal or household devices, etc.).

CAUTION: Customers considering the use of our products in special applications where failure or abnormal operation may directly affect human lives or cause physical injury or property damage, or where extremely high levels of reliability are demanded (such as aerospace systems, atomic energy controls, sea floor repeaters, vehicle operating controls, medical devices for life support, etc.) are requested to consult with FUJITSU sales representatives before such use. The company will not be responsible for damages arising from such use without prior approval.

Any semiconductor devices have inherently a certain rate of failure. You must protect against injury, damage or loss from such failures by incorporating safety design measures into your facility and equipment such as redundancy, fire protection, and prevention of over-current levels and other abnormal operating conditions.

If any products described in this document represent goods or technologies subject to certain restrictions on export under the Foreign Exchange and Foreign Trade Control Law of Japan, the prior authorization by Japanese government should be required for export of those products from Japan.

FME/MS/DAC80/FL/5085 1.1