



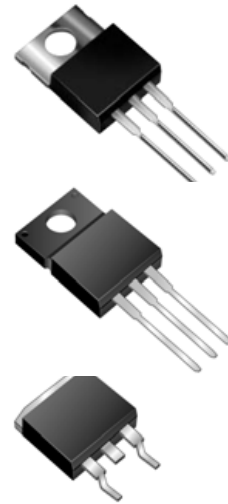
Dual Schottky Barrier Rectifiers
Reverse Voltage 35 to 60 Volts Forward Current 20.0 Amperes

Features

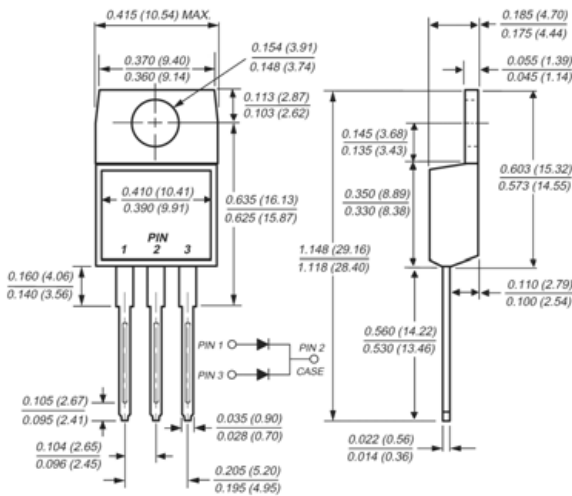
- ◆ Plastic package has Underwriters Laboratory Flammability Classification 94V-0
- ◆ Dual rectifier construction, positive center tap
- ◆ Metal silicon junction, majority carrier conduction
- ◆ Low power loss, high efficiency
- ◆ Guardring for overvoltage protection
- ◆ For use in low voltage, high frequency inverters, free wheeling, and polarity protection applications
- ◆ High temperature soldering guaranteed:
250°C/10 seconds, 0.25" (6.35mm) from case

Mechanical Data

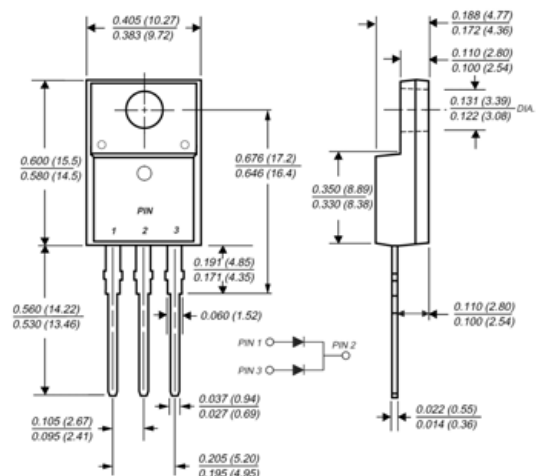
- ◆ Case: JEDEC TO-220AB, TO-220F, TO-263AB molded plastic body
- ◆ Terminals: Plated leads, solderable per MIL-STD-750, Method 2026
- ◆ Polarity: As marked
- ◆ Mounting Position: Any
- ◆ Mounting Torque: 10 in-lbs maximum
- ◆ Weight: 0.08 ounce, 2.24 grams



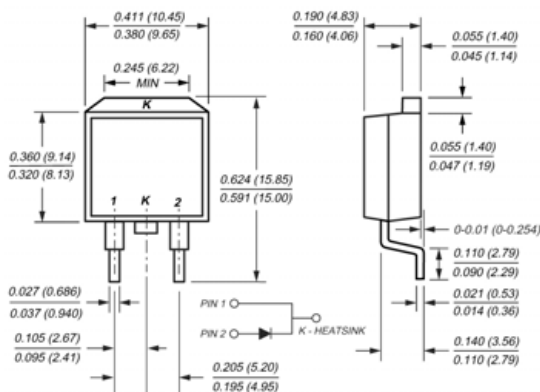
TO-220AB



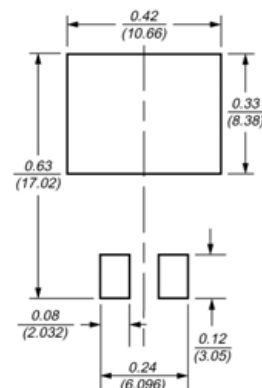
TO-220F



TO-263AB(D²PAK)



Mounting Pad Layout TO-263AB



Dimensions in inches and (millimeters)



Maximum Ratings and Electrical Characteristics

(T_C = 25°C unless otherwise noted)

Parameter	Symbol	MBR2035CT	MBR2045CT	MBR2050CT	MBR2060CT	Unit
Maximum repetitive peak reverse voltage	V _{RRM}	35	45	50	60	Volts
Working peak reverse voltage	V _{RWM}	35	45	50	60	Volts
Maximum DC blocking voltage	V _{DC}	35	45	50	60	Volts
Maximum average forward rectified current at T _C =135°C	I _{F(AV)}	20		10		Amps
Peak repetitive forward current per leg at (rated V _R , sq. wave, 2.KHz) at T _C =135°C	I _{FRM}	20				Amps
Peak forward surge current 8.3ms single half sine-wave superimposed on rated load (JEDEC Method) per leg	I _{FSM}	150				Amps
Peak repetitive reverse surge current per leg at t _p = 2.0us, 1KHz	I _{RRM}	1.0	0.5			Amps
Voltage rate of change (rated V _R)	dv/dt	10,000				V/us
Maximum instantaneous forward voltage per leg (Note 4) at I _F =10A, T _C =25°C at I _F =10A, T _C =125°C at I _F =20A, T _C =25°C at I _F =20A, T _C =125°C	V _F	-	0.80			Volt
Maximum reverse current at rated DC blocking voltage per leg (Note 4) T _C =25°C T _C =125°C	I _R	0.1	0.15			mA
Thermal resistance from junction to case per leg	R _{θJC}	MBR 2.0 / MBRF 5.0 / MBRB 2.0				°C/W
RMS Isolation voltage (MBRF type only) from terminals to heatsink with t = 1.0 second, RH ≤ 30%	V _{ISOL}	4500 (Note 1)		3500 (Note 2)		Volts
Operating junction temperature range	T _J	-55 to +150				°C
Storage temperature range	T _{STG}	-55 to +150				°C

- Notes:**
1. Clip mounting (on case), where lead does not overlap heatsink with 0.110" offset
 2. Clip mounting (on case), where leads do overlap heatsink
 3. Screw mounting with 4-40 screw, where washer diameter is < 4.9 mm (0.19")
 4. Pulse test: 300us pulse width, 1% duty cycle



RATINGS AND CHARACTERISTIC CURVES

($T_A = 25^\circ\text{C}$ unless otherwise noted)

