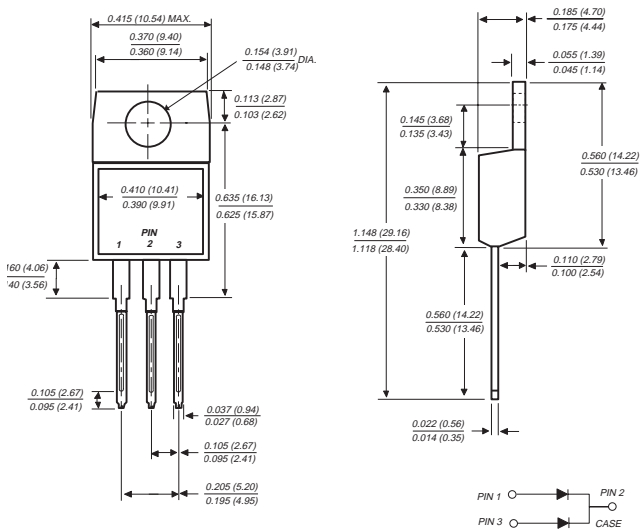


MBR2535CT THRU MBR2560CT

SCHOTTKY RECTIFIER

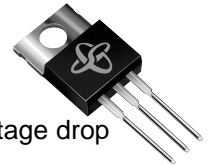
Reverse Voltage - 35 to 60 Volts Forward Current - 30.0 Amperes

TO-220AB



FEATURES

- ◆ Plastic package has Underwriters Laboratory Flammability Classifications 94V-0
- ◆ Dual rectifier construction, positive center-tap
- ◆ Metal silicon junction, majority carrier conduction
- ◆ Low power loss, high efficiency
- ◆ High current capability, low forward voltage drop
- ◆ High surge capability
- ◆ For use in low voltage, high frequency inverters, free wheeling, and polarity protection applications
- ◆ Guardring for overvoltage protection
- ◆ High temperature soldering guaranteed: 250°C/10 seconds, 0.25" (6.35mm) from case



MECHANICAL DATA

Case: JEDEC TO-220AB molded plastic body
Terminals: Lead solderable per MIL-STD-750, Method 2026

Polarity: As marked

Mounting Position: Any **Mounting Torque:** 5 in. - lbs. max.
Weight: 0.08 ounce, 2.24 grams

MAXIMUM RATINGS AND ELECTRICAL CHARACTERISTICS

Ratings at 25°C ambient temperature unless otherwise specified.

	SYMBOLS	MBR2535CT	MBR2545CT	MBR2550CT	MBR2560CT	UNITS
Maximum repetitive peak reverse voltage	V_{RRM}	35	45	50	60	Volts
Maximum working peak reverse voltage	V_{RWM}	35	45	50	60	Volts
Maximum DC blocking voltage	V_{DC}	35	45	50	60	Volts
Maximum average forward rectified current at $T_C=130^\circ\text{C}$	$I_{(AV)}$	30.0				Amps
Peak repetitive forward current per leg at $T_C=130^\circ\text{C}$ (rated V_R , square wave, 20 KHz)	I_{FRM}	30.0				Amps
Peak forward surge current 8.3ms single half sine-wave superimposed on rated load (JEDEC Method)	I_{FSM}	150.0				Amps
Peak repetitive reverse surge current (NOTE 1)	I_{RRM}	1.0		0.5		Amps
Maximum instantaneous forward voltage $I_F=15.0\text{A}, T_C=25^\circ\text{C}$ per leg at: (NOTE 2)	V_F	-		0.75	Volts	
$I_F=15.0\text{A}, T_C=25^\circ\text{C}$		-		0.65		
$I_F=30\text{A}, T_C=25^\circ\text{C}$		0.82		-		
$I_F=30\text{A}, T_C=125^\circ\text{C}$		0.73		-		
Maximum instantaneous reverse current at rated DC blocking voltage per leg (NOTE 2)	I_R	$T_C=25^\circ\text{C}$	0.2		1.0	mA
$T_C=125^\circ\text{C}$		40.0		50.0		
Maximum thermal resistance (NOTE 3)	$R_{\theta JC}$	1.5				$^\circ\text{C}/\text{W}$
Voltage rate of change (rated V_R)	dv/dt	10,000				$\text{V}/\mu\text{s}$
Operating junction temperature range	T_J	-65 to +150				$^\circ\text{C}$
Storage temperature range	T_{STG}	-65 to +175				$^\circ\text{C}$

NOTES:

- (1) 2.0μs pulse width, f=1.0 KHz
- (2) Pulse test: 300μs pulse width, 1% duty cycle
- (3) Thermal resistance from junction to case per leg

RATINGS AND CHARACTERISTIC CURVES MBR2535CT THRU MBR2560CT

