

***MBR25XXCT SERIES***

***SCHOTTKY BARRIER RECTIFIER***

产

品

规

格

确

认

书

# MBR2535CT THRU MBR25200CT

## SCHOTTKY BARRIER RECTIFIER



康比電子  
HORNBY ELECTRONIC

**REVERSE VOLTAGE:** 35 to 200 VOLTS  
**FORWARD CURRENT:** 25.0 AMPERE

### FEATURES

- Plastic package has Underwriters Laboratory Flammability Classifications 94V-0
- Metal silicon junction, majority carrier conduction
- Guard ring for overvoltage protection
- Low power loss, high efficiency
- For use in low voltage, high frequency inverters, free whelling, and polarity protection applications
- High temperature soldering guaranteed: 250°C/10 seconds, 0.25" (6.35mm) from case

### MECHANICAL DATA

Case: Molded plastic, TO-220

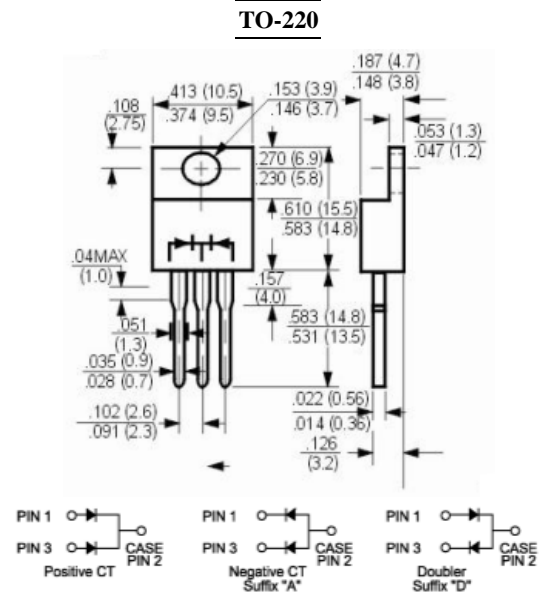
Epoxy: UL 94V-0 rate flame retardant

Terminals: Leads solderable per MIL-STD-202 method 208 guaranteed

Polarity: As marked

Mounting position: Any

Weight: 0.08ounce, 2.24gram



### Maximum Ratings and Electrical Characteristics

Ratings at 25°C ambient temperature unless otherwise specified.

Single phase, half wave, 60Hz, resistive or inductive load.

For capacitive load, derate current by 20%.

	Symbols	MBR2535CT	MBR2545CT	MBR2550CT	MBR2560CT	MBR2580CT	MBR25100CT	MBR25150CT	MBR25200CT	Units
Maximum Recurrent Peak Reverse Voltage	$V_{RRM}$	35	45	50	60	80	100	150	200	Volts
Maximum RMS Voltage	$V_{RMS}$	24	31	35	42	56	70	105	140	Volts
Maximum DC Blocking Voltage	$V_{DC}$	35	45	50	60	80	100	150	200	Volts
Maximum Average Forward Rectified Current at $T_C = 130^\circ\text{C}$	$I_{(AV)}$	25.0								Amp
Peak repetitive forward current at $T_C = 130^\circ\text{C}$ (rated VR, sq. wave, 20 KHz)	$I_{FRM}$	25.0								Amp
Peak Forward Surge Current, 8.3ms single half-sine-wave superimposed on rated load (JEDEC method)	$I_{FSM}$	200								Amp
Peak repetitive reverse current at $t_p = 2.0\mu\text{s}$ , 1KHz	$I_{RRM}$	1.0					0.5			Amp
Maximum Forward Voltage (Note 1)	$V_F$	at $I_F = 12.5\text{A}$ , $T_C = 25^\circ\text{C}$		0.75		0.85		0.95		Volts
		at $I_F = 12.5\text{A}$ , $T_C = 125^\circ\text{C}$		0.65		0.75		0.92		
		at $I_F = 25\text{A}$ , $T_C = 25^\circ\text{C}$		0.82		-		0.92		
at $I_F = 25\text{A}$ , $T_C = 125^\circ\text{C}$		0.73		-		0.88		0.98		
Maximum Reverse Current at Rated DC Blocking Voltage	$I_R$	at $T_C = 25^\circ\text{C}$		0.2		1.0				mAmp
at $T_C = 125^\circ\text{C}$		15		40						
Typical Thermal Resistance	$R_{\theta JC}$	1.0								°C/W
Operating Temperature Range	$T_J$	-55 to +150								°C
Storage Temperature Range	$T_{stg}$	-55 to +150								°C

### NOTES:

1- Pulse test: 300μs pulse width, 1% duty cycle

# MBR2535CT THRU MBR25200CT SCHOTTKY BARRIER RECTIFIER

## RATINGS AND CHARACTERISTIC CURVES

FIG. 1 - FORWARD CURRENT DERATING CURVE

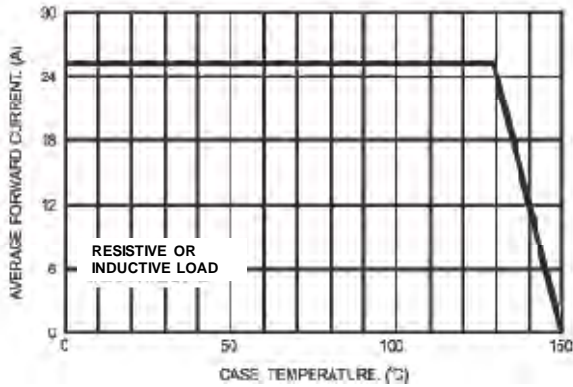


FIG. 2- MAXIMUM NON-REPETITIVE FORWARD SURGE CURRENT PER LEG

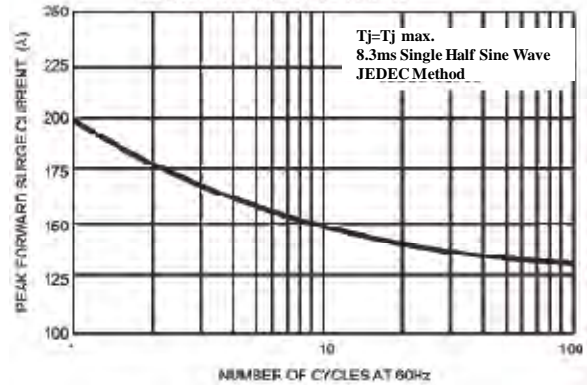


FIG. 3- TYPICAL INSTANTANEOUS FORWARD CHARACTERISTICS PER LEG

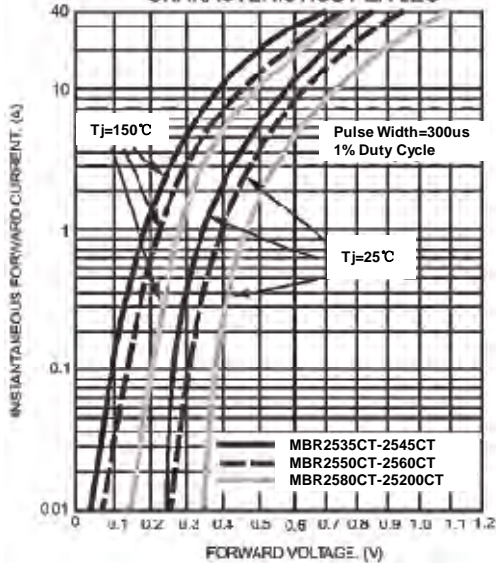


FIG. 4- TYPICAL REVERSE CHARACTERISTICS PER LEG

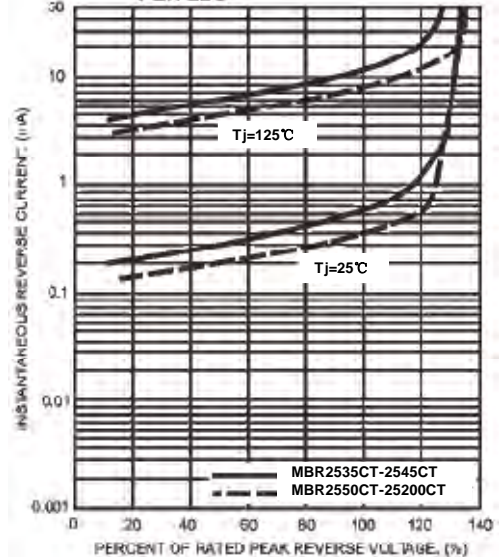


FIG. 5- TYPICAL JUNCTION CAPACITANCE PER LEG

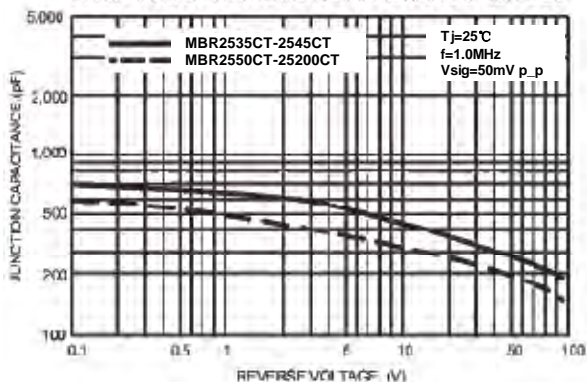


FIG. 6- TYPICAL TRANSIENT THERMAL IMPEDANCE PER LEG

