

1:9 TTL Clock Driver

The MC10H645 is a single supply, low skew, TTL I/O 1:9 Clock Driver. Devices in the Motorola H600 clock driver family utilize the 28-lead PLCC for optimal power and signal pin placement.

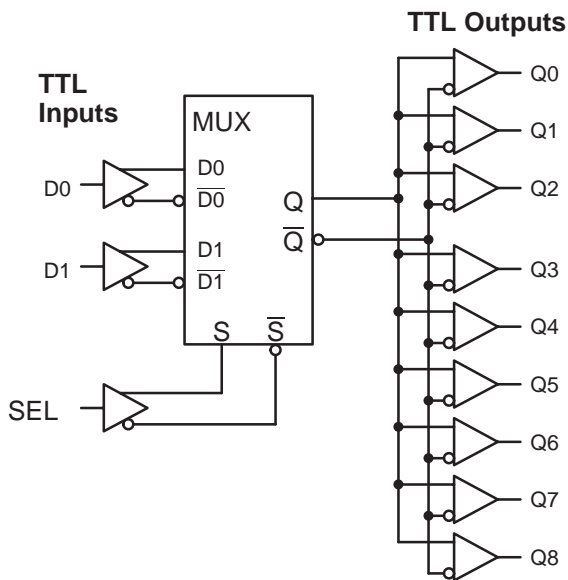
The device features a 24mA TTL output stage with AC performance specified into a 50pF load capacitance. A 2:1 input mux is provided on chip to allow for distributing both system and diagnostic clock signals or designing clock redundancy into a system. With the SEL input held LOW the D0 input will be selected, while the D1 input is selected when the SEL input is forced HIGH.

- Low Skew Typically 0.65ns Within Device
- Guaranteed Skew Spec 1.25ns Part-to-Part
- Input Clock Muxing
- Differential ECL Internal Design
- Single Supply
- Extra TTL and ECL Power/Ground Pins

PIN NAMES

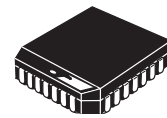
PIN	FUNCTION
GT	TTL Ground (0V)
VT	TTL V _{CC} (+5.0V)
VE	ECL V _{CC} (+5.0V)
GE	ECL Ground (0V)
Dn	TTL Signal Input
Q0 – Q8	TTL Signal Outputs
SEL	TTL Mux Select

LOGIC DIAGRAM



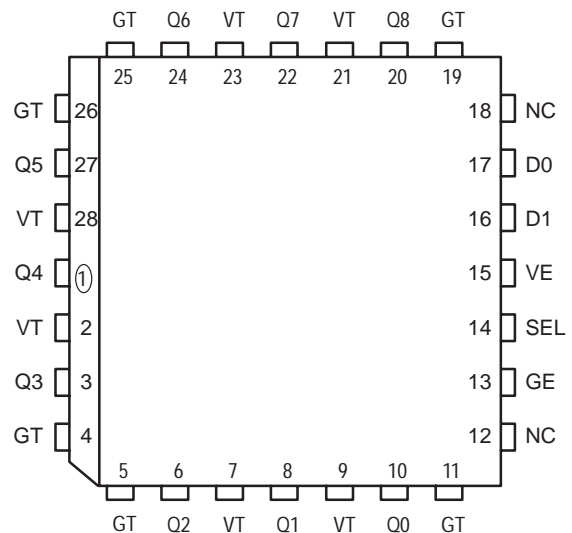
MC10H645

**1:9 TTL
CLOCK DRIVER**



FN SUFFIX
PLASTIC PACKAGE
CASE 776-02

Pinout: 28-Lead PLCC (Top View)



PIN DESCRIPTIONS

Pin	Symbol	Description	Pin	Symbol	Description
1	Q4	Signal Output (TTL)	15	VE	ECL V _{CC} (+5.0V)
2	VT	TTL V _{CC} (+5.0V)	16	D1	Signal Input (TTL)
3	Q3	Signal Output (TTL)	17	D0	Signal Input (TTL)
4	GT	TTL Ground (0V)	18	NC	No Connection
5	GT	TTL Ground (0V)	19	GT	TTL Ground (0V)
6	Q2	Signal Output (TTL)	20	Q8	Signal Output (TTL)
7	VT	TTL V _{CC} (+5.0V)	21	VT	TTL V _{CC} (+5.0V)
8	Q1	Signal Output (TTL)	22	Q7	Signal Output (TTL)
9	VT	TTL V _{CC} (+5.0V)	23	VT	TTL V _{CC} (+5.0V)
10	Q0	Signal Output (TTL)	24	Q6	Signal Output (TTL)
11	GT	TTL Ground (0V)	25	GT	TTL Ground (0V)
12	NC	No Connection	26	GT	TTL Ground (0V)
13	GE	ECL Ground	27	Q5	Signal Output (TTL)
14	SEL	Select Input (TTL)	28	VT	TTL V _{CC} (+5.0V)

ABSOLUTE RATINGS (Do not exceed)

Symbol	Characteristic	Value	Unit
VE (ECL)	Power Supply Voltage	-0.5 to +7.0	V
VT (TTL)	Power Supply Voltage	-0.5 to +7.0	V
VI (TTL)	Input Voltage	-0.5 to +7.0	V
V _{out}	Disabled 3-State Output	0.0 to V _T	V
T _{stg}	Storage Temperature	-65 to 150	°C
T _{amb}	Operating Temperature	0.0 to +85	°C

TRUTH TABLE

D0	D1	SEL	Q
L	X	L	L
H	X	L	H
X	L	H	L
X	H	H	H

DC CHARACTERISTICS (V_T = V_E = 5.0V ±5%)

Symbol	Characteristic	0°C		25°C		85°C		Unit	Condition
		Min	Max	Min	Max	Min	Max		
I _{EE}	Power Supply Current	ECL			30		30	mA	VE Pin
I _{CCH}		TTL			30		30		
I _{CCL}				35		35		35	mA
V _{OH}	Output HIGH Voltage	2.5 2.0		2.5 2.0		2.5 2.0		V	
V _{OL}	Output LOW Voltage		0.5		0.5		0.5		V
I _{OS}	Output Short Circuit Current	-100	-225	-100	-225	-100	-225	mA	

TTL DC CHARACTERISTICS ($V_T = V_E = 5.0\text{ V} \pm 5\%$)

Symbol	Characteristic	0°C		25°C		85°C		Unit	Condition
		Min	Max	Min	Max	Min	Max		
V_{IH} V_{IL}	Input HIGH Voltage Input LOW Voltage	2.0	0.8	2.0	0.8	2.0	0.8	V	
I_{IH}	Input HIGH Current		20 100		20 100		20 100	μA	$V_{IN} = 2.7\text{ V}$ $V_{IN} = 7.0\text{ V}$
I_{IL}	Input LOW Current		-0.6		-0.6		-0.6	mA	$V_{IN} = 0.5\text{ V}$
V_{OH}	Output HIGH Voltage	2.5 2.0		2.5 2.0		2.5 2.0		V	$I_{OH} = -3.0\text{ mA}$ $I_{OH} = -24\text{ mA}$
V_{OL}	Output LOW Voltage		0.5		0.5		0.5	V	$I_{OL} = 24\text{ mA}$
V_{IK}	Input Clamp Voltage		-1.2		-1.2		-1.2	V	$I_{IN} = -18\text{ mA}$
I_{OS}	Output Short Circuit Current	-100	-225	-100	-225	-100	-225	mA	$V_{OUT} = 0\text{ V}$

AC CHARACTERISTICS ($V_T = V_E = 5.0\text{ V} \pm 5\%$)

Symbol	Characteristic		0°C		25°C		85°C		Unit	Condition
			Min	Max	Min	Max	Min	Max		
t_{PLH}	Propagation Delay D_0 to Output Only	Q0-Q8	4.8	5.8	4.8	5.8	5.2	6.2	ns	CL = 50pF
t_{PLH}	Propagation Delay D_1 to Output		4.8	5.8	4.8	5.8	5.2	6.2	ns	
t_{PHL}	Propagation Delay D_0 to Output D_1 to Output		4.8 4.8	5.8 5.8	4.8 4.8	5.8 5.8	5.2 5.2	6.2 6.2	ns	
t_{skpp}	Part-to-Part Skew D_0 to Output Only			1.0		1.0		1.0	ns	
t_{skwd}^*	Within-Device Skew D_0 to Output Only			0.65		0.65		0.65	ns	
t_{PLH}	Propagation Delay SEL to Q	Q0-Q8	4.5	6.5	5.0	7.0	5.2	7.2	ns	CL = 50pF
t_r t_f	Output Rise/Fall Time 0.8V to 2.0V	Q0-Q8	0.5 0.5	2.5 2.5	0.5 0.5	2.5 2.5	0.5 0.5	2.5 2.5	ns	CL = 50pF
t_S	Setup Time SEL to D		1.0		1.0		1.0	ns		

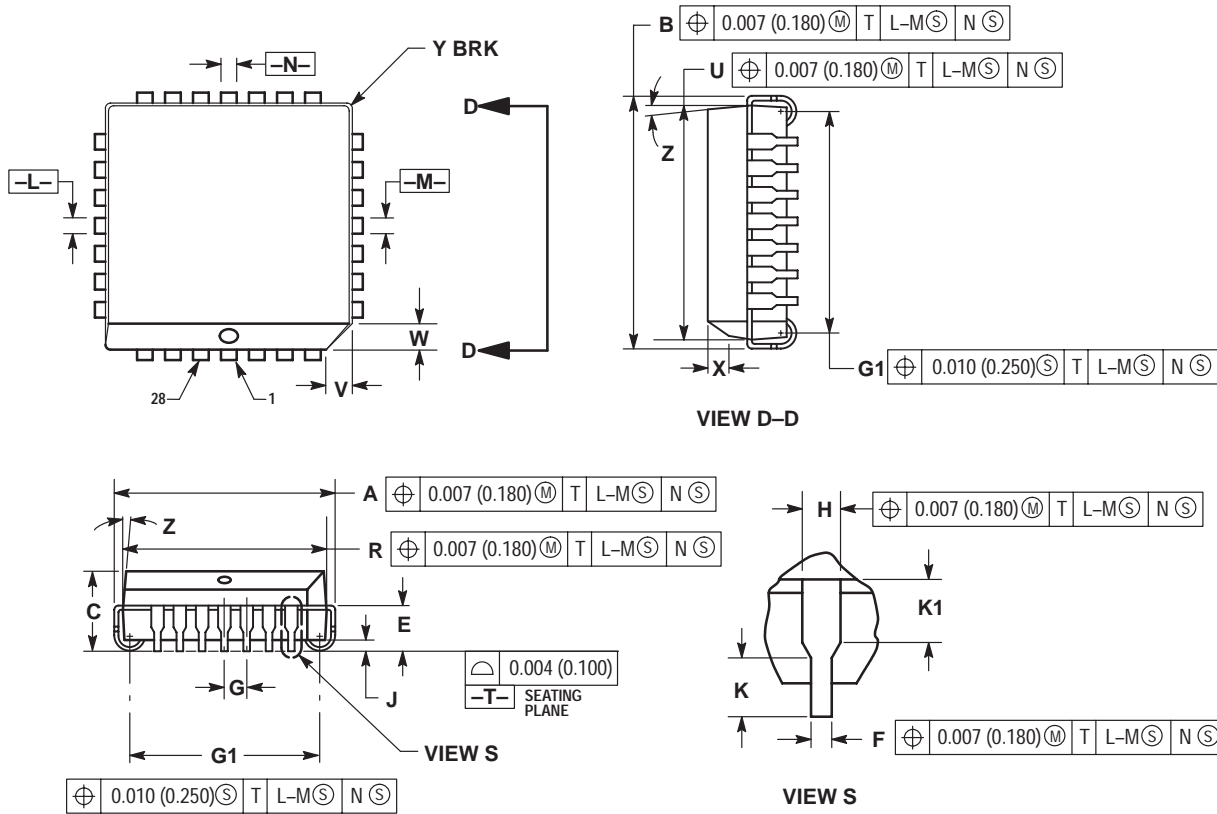
* Within-Device Skew defined as identical transitions on similar paths through a device.

DUTY CYCLE SPECIFICATIONS ($0^\circ\text{C} \leq T_A \leq 85^\circ\text{C}$; Duty Cycle Measured Relative to 1.5V)

Symbol	Characteristic		Min	Nom	Max	Unit	Condition
PW	Range of V_{CC} and CL to Meet Min Pulse Width (HIGH or LOW) at $f_{out} \leq 50\text{ MHz}$	V_{CC} CL PW	4.875 10.0 9.0	5.0	5.125 50.0 11.0	V pF ns	All Outputs

OUTLINE DIMENSIONS


FN SUFFIX
 PLASTIC PLCC PACKAGE
 CASE 776-02
 ISSUE D



NOTES:

- DATUMS $-L-$, $-M-$, AND $-N-$ DETERMINED WHERE TOP OF LEAD SHOULDER EXITS PLASTIC BODY AT MOLD PARTING LINE.
- DIMENSION $G1$, TRUE POSITION TO BE MEASURED AT DATUM $-T-$, SEATING PLANE.
- DIMENSIONS R AND U DO NOT INCLUDE MOLD FLASH. ALLOWABLE MOLD FLASH IS 0.010 (0.250) PER SIDE.
- DIMENSIONING AND TOLERANCING PER ANSI Y14.5M, 1982.
- CONTROLLING DIMENSION: INCH.
- THE PACKAGE TOP MAY BE SMALLER THAN THE PACKAGE BOTTOM BY UP TO 0.012 (0.300). DIMENSIONS R AND U ARE DETERMINED AT THE OUTERMOST EXTREMES OF THE PLASTIC BODY EXCLUSIVE OF MOLD FLASH, TIE BAR BURRS, GATE BURRS AND INTERLEAD FLASH, BUT INCLUDING ANY MISMATCH BETWEEN THE TOP AND BOTTOM OF THE PLASTIC BODY.
- DIMENSION H DOES NOT INCLUDE DAMBAR PROTRUSION OR INTRUSION. THE DAMBAR PROTRUSION(S) SHALL NOT CAUSE THE H DIMENSION TO BE GREATER THAN 0.037 (0.940). THE DAMBAR INTRUSION(S) SHALL NOT CAUSE THE H DIMENSION TO BE SMALLER THAN 0.025 (0.635).

DIM	INCHES		MILLIMETERS	
	MIN	MAX	MIN	MAX
A	0.485	0.495	12.32	12.57
B	0.485	0.495	12.32	12.57
C	0.165	0.180	4.20	4.57
E	0.090	0.110	2.29	2.79
F	0.013	0.019	0.33	0.48
G	0.050 BSC		1.27 BSC	
H	0.026	0.032	0.66	0.81
J	0.020	---	0.51	---
K	0.025	---	0.64	---
R	0.450	0.456	11.43	11.58
U	0.450	0.456	11.43	11.58
V	0.042	0.048	1.07	1.21
W	0.042	0.048	1.07	1.21
X	0.042	0.056	1.07	1.42
Y	---	0.020	---	0.50
Z	2° 10°		2° 10°	
G1	0.410	0.430	10.42	10.92
K1	0.040	---	1.02	---

Motorola reserves the right to make changes without further notice to any products herein. Motorola makes no warranty, representation or guarantee regarding the suitability of its products for any particular purpose, nor does Motorola assume any liability arising out of the application or use of any product or circuit, and specifically disclaims any and all liability, including without limitation consequential or incidental damages. "Typical" parameters which may be provided in Motorola data sheets and/or specifications can and do vary in different applications and actual performance may vary over time. All operating parameters, including "Typicals" must be validated for each customer application by customer's technical experts. Motorola does not convey any license under its patent rights nor the rights of others. Motorola products are not designed, intended, or authorized for use as components in systems intended for surgical implant into the body, or other applications intended to support or sustain life, or for any other application in which the failure of the Motorola product could create a situation where personal injury or death may occur. Should Buyer purchase or use Motorola products for any such unintended or unauthorized application, Buyer shall indemnify and hold Motorola and its officers, employees, subsidiaries, affiliates, and distributors harmless against all claims, costs, damages, and expenses, and reasonable attorney fees arising out of, directly or indirectly, any claim of personal injury or death associated with such unintended or unauthorized use, even if such claim alleges that Motorola was negligent regarding the design or manufacture of the part. Motorola and  are registered trademarks of Motorola, Inc. Motorola, Inc. is an Equal Opportunity/Affirmative Action Employer.

How to reach us:

USA/EUROPE/Locations Not Listed: Motorola Literature Distribution;
P.O. Box 20912; Phoenix, Arizona 85036. 1-800-441-2447 or 602-303-5454

MFAX: RMFAX0@email.sps.mot.com – TOUCHTONE 602-244-6609
INTERNET: <http://Design-NET.com>

JAPAN: Nippon Motorola Ltd.; Tatsumi-SPD-JLDC, 6F Seibu-Butsuryu-Center,
3-14-2 Tatsumi Koto-Ku, Tokyo 135, Japan. 03-81-3521-8315

ASIA/PACIFIC: Motorola Semiconductors H.K. Ltd.; 8B Tai Ping Industrial Park,
51 Ting Kok Road, Tai Po, N.T., Hong Kong. 852-26629298

