

## Low-Voltage 1:9 Differential ECL/PECL Clock Driver

The MC100LVE111 is a low skew 1-to-9 differential driver, designed with clock distribution in mind. The MC100LVE111's function and performance are similar to the popular MC100E111, with the added feature of low voltage operation. It accepts one signal input, which can be either differential or single-ended if the  $V_{BB}$  output is used. The signal is fanned out to 9 identical differential outputs.

- 200ps Part-to-Part Skew
- 50ps Output-to-Output Skew
- Differential Design
- $V_{BB}$  Output
- Voltage and Temperature Compensated Outputs
- Low Voltage  $V_{EE}$  Range of  $-3.0$  to  $-3.8V$
- $75k\Omega$  Input Pulldown Resistors

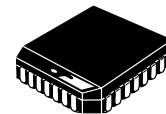
The LVE111 is specifically designed, modeled and produced with low skew as the key goal. Optimal design and layout serve to minimize gate to gate skew within a device, and empirical modeling is used to determine process control limits that ensure consistent  $t_{pd}$  distributions from lot to lot. The net result is a dependable, guaranteed low skew device.

To ensure that the tight skew specification is met it is necessary that both sides of the differential output are terminated into  $50\Omega$ , even if only one side is being used. In most applications, all nine differential pairs will be used and therefore terminated. In the case where fewer than nine pairs are used, it is necessary to terminate at least the output pairs on the same package side as the pair(s) being used on that side, in order to maintain minimum skew. Failure to do this will result in small degradations of propagation delay (on the order of 10–20ps) of the output(s) being used which, while not being catastrophic to most designs, will mean a loss of skew margin.

The MC100LVE111, as with most other ECL devices, can be operated from a positive  $V_{CC}$  supply in PECL mode. This allows the LVE111 to be used for high performance clock distribution in  $+3.3V$  systems. Designers can take advantage of the LVE111's performance to distribute low skew clocks across the backplane or the board. In a PECL environment, series or Thevenin line terminations are typically used as they require no additional power supplies. For systems incorporating GTL, parallel termination offers the lowest power by taking advantage of the 1.2V supply as a terminating voltage. For more information on using PECL, designers should refer to Motorola Application Note AN1406/D.

**MC100LVE111**

**LOW-VOLTAGE  
1:9 DIFFERENTIAL  
ECL/PECL CLOCK DRIVER**

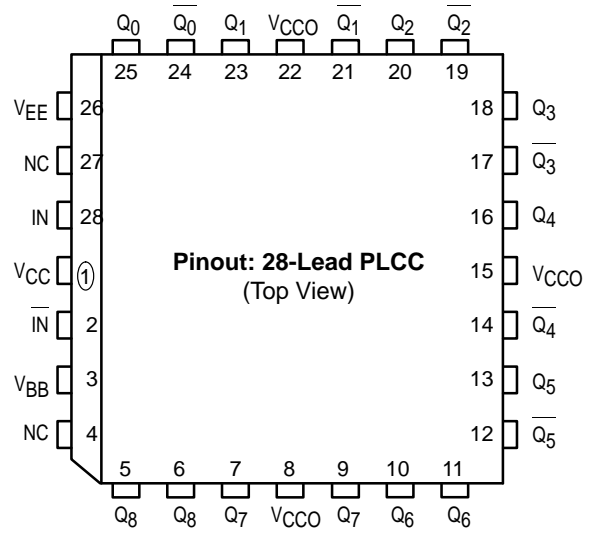


**FN SUFFIX  
PLASTIC PACKAGE  
CASE 776-02**

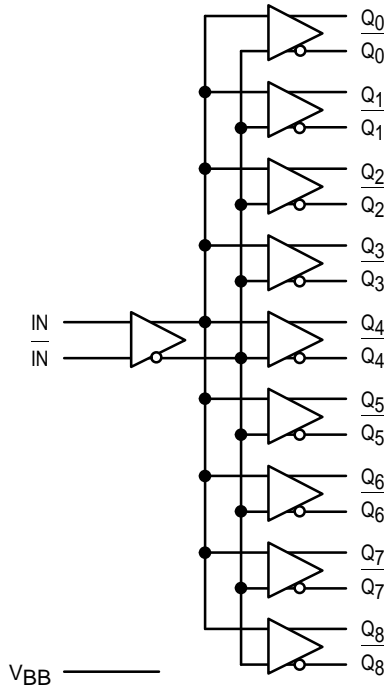


**PIN NAMES**

Pins	Function
IN, $\overline{\text{IN}}$	Differential Input Pair
$Q_0, \overline{Q_0}-Q_8, \overline{Q_8}$	Differential Outputs
$V_{BB}$	$V_{BB}$ Output



**LOGIC SYMBOL**



## ECL DC CHARACTERISTICS

Symbol	Characteristic	-40°C			0°C			25°C			85°C			Unit
		Min	Typ	Max	Min	Typ	Max	Min	Typ	Max	Min	Typ	Max	
V <sub>OH</sub>	Output HIGH Voltage	-1.025	-0.955	-0.880	-1.025	-0.955	-0.880	-1.025	-0.955	-0.880	-1.025	-0.955	-0.880	V
V <sub>OL</sub>	Output LOW Voltage	-1.810	-1.705	-1.620	-1.810	-1.705	-1.620	-1.810	-1.705	-1.620	-1.810	-1.705	-1.620	V
V <sub>IH</sub>	Input HIGH Voltage	-1.165		-0.880	-1.165		-0.880	-1.165		-0.880	-1.165		-0.880	V
V <sub>IL</sub>	Input LOW Voltage	-1.810		-1.475	-1.810		-1.475	-1.810		-1.475	-1.810		-1.475	V
V <sub>BB</sub>	Output Reference Voltage	-1.38		-1.26	-1.38		-1.26	-1.38		-1.26	-1.38		-1.26	V
V <sub>EE</sub>	Power Supply Voltage	-3.0		-3.8	-3.0		-3.8	-3.0		-3.8	-3.0		-3.8	V
I <sub>IH</sub>	Input HIGH Current			150			150			150			150	μA
I <sub>EE</sub>	Power Supply Current		55	66		55	66		55	66		65	78	mA

## PECL DC CHARACTERISTICS

Symbol	Characteristic	-40°C			0°C			25°C			85°C			Unit
		Min	Typ	Max	Min	Typ	Max	Min	Typ	Max	Min	Typ	Max	
V <sub>OH</sub>	Output HIGH Voltage <sup>1</sup>	2.275	2.345	2.420	2.275	2.345	2.420	2.275	2.345	2.420	2.275	2.345	2.420	V
V <sub>OL</sub>	Output LOW Voltage <sup>1</sup>	1.490	1.595	1.680	1.490	1.595	1.680	1.490	1.595	1.680	1.490	1.595	1.680	V
V <sub>IH</sub>	Input HIGH Voltage <sup>1</sup>	2.135		2.420	2.135		2.420	2.135		2.420	2.135		2.420	V
V <sub>IL</sub>	Input LOW Voltage <sup>1</sup>	1.490		1.825	1.490		1.825	1.490		1.825	1.490		1.825	V
V <sub>BB</sub>	Output Reference Voltage <sup>1</sup>	1.92		2.04	1.92		2.04	1.92		2.04	1.92		2.04	V
V <sub>CC</sub>	Power Supply Voltage	3.0		3.8	3.0		3.8	3.0		3.8	3.0		3.8	V
I <sub>IH</sub>	Input HIGH Current			150			150			150			150	μA
I <sub>EE</sub>	Power Supply Current		55	66		55	66		55	66		65	78	mA

1. These values are for V<sub>CC</sub> = 3.3V. Level Specifications will vary 1:1 with V<sub>CC</sub>.

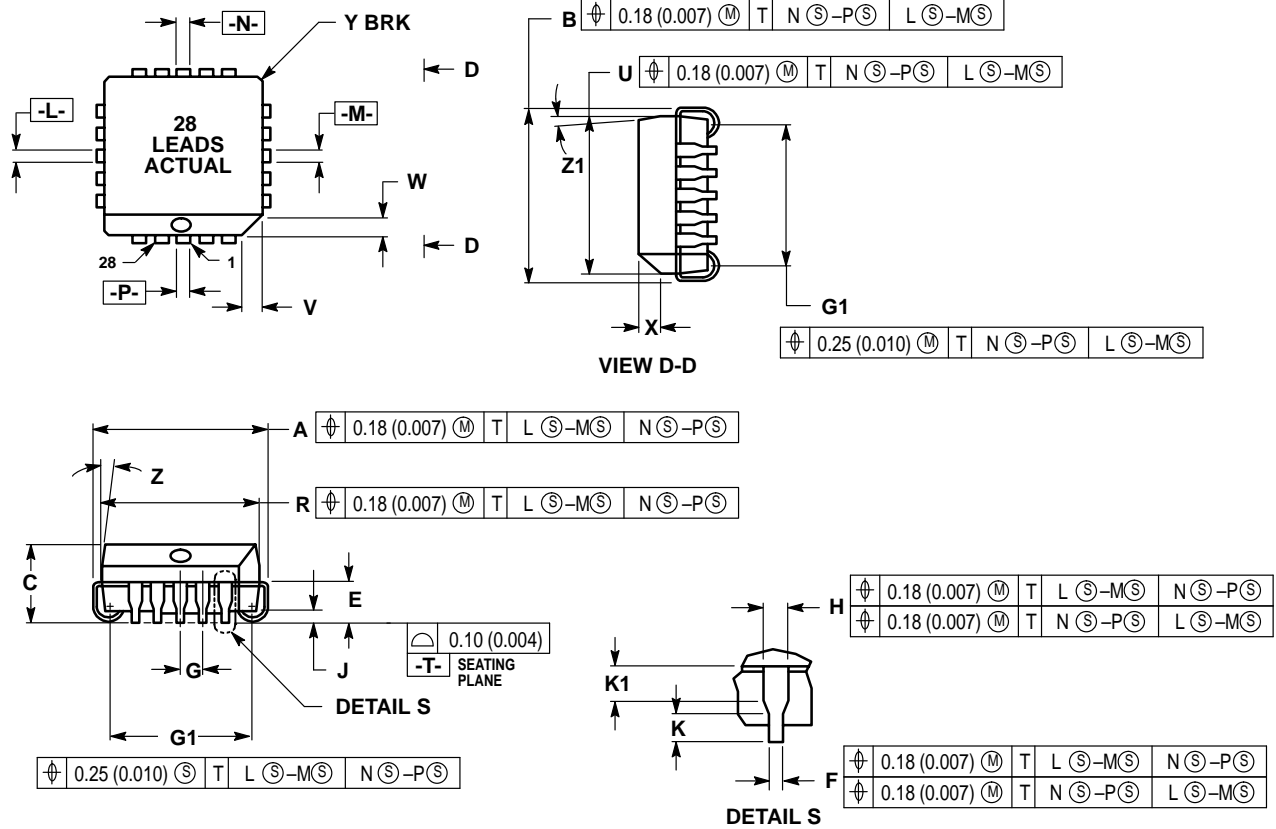
AC CHARACTERISTICS (V<sub>EE</sub> = V<sub>EE</sub> (min) to V<sub>EE</sub> (max); V<sub>CC</sub> = V<sub>CCO</sub> = GND)

Symbol	Characteristic	-40°C			0°C			25°C			85°C			Unit	Condition
		Min	Typ	Max	Min	Typ	Max	Min	Typ	Max	Min	Typ	Max		
t <sub>PLH</sub> t <sub>PHL</sub>	Propagation Delay to Output IN (differential) IN (single-ended)	400 350		650 700	435 385		625 675	440 390		630 680	445 395		635 685	ps	Note 1 Note 2
t <sub>skew</sub>	Within-Device Skew Part-to-Part Skew (Diff)			50 250			50 200			50 200			50 200	ps	Note 3
V <sub>PP</sub>	Minimum Input Swing	500			500			500			500			mV	Note 4
V <sub>CMR</sub>	Common Mode Range	-1.5		-0.4	-1.5		-0.4	-1.5		-0.4	-1.5		-0.4	V	Note 5
t <sub>r</sub> /t <sub>f</sub>	Output Rise/Fall Time	200		600	200		600	200		600	200		600	ps	20%–80%

1. The differential propagation delay is defined as the delay from the crossing points of the differential input signals to the crossing point of the differential output signals. See *Definitions and Testing of ECLinPS AC Parameters* in Chapter 1 (page 1–12) of the Motorola High Performance ECL Data Book (DL140/D).
2. The single-ended propagation delay is defined as the delay from the 50% point of the input signal to the 50% point of the output signal. See *Definitions and Testing of ECLinPS AC Parameters* in Chapter 1 (page 1–12) of the Motorola High Performance ECL Data Book (DL140/D).
3. The within-device skew is defined as the worst case difference between any two similar delay paths within a single device.
4. V<sub>PP</sub>(min) is defined as the minimum input differential voltage which will cause no increase in the propagation delay. The V<sub>PP</sub>(min) is AC limited for the E111 as a differential input as low as 50 mV will still produce full ECL levels at the output.
5. V<sub>CMR</sub> is defined as the range within which the V<sub>IH</sub> level may vary, with the device still meeting the propagation delay specification. The V<sub>IL</sub> level must be such that the peak to peak voltage is less than 1.0 V and greater than or equal to V<sub>PP</sub>(min).

OUTLINE DIMENSIONS


FN SUFFIX  
 PLASTIC PACKAGE  
 CASE 776-02  
 ISSUE D



DIM	MILLIMETERS		INCHES	
	MIN	MAX	MIN	MAX
A	12.32	12.57	0.485	0.495
B	12.32	12.57	0.485	0.495
C	4.20	4.57	0.165	0.180
E	2.29	2.79	0.090	0.110
F	0.33	0.48	0.013	0.019
G	1.27 BSC		0.050 BSC	
H	0.66	0.81	0.026	0.032
J	0.51	—	0.020	—
K	0.64	—	0.025	—
R	11.43	11.58	0.450	0.456
U	11.43	11.58	0.450	0.456
V	1.07	1.21	0.042	0.048
W	1.07	1.21	0.042	0.048
X	1.07	1.42	0.042	0.056
Y	—	0.50	—	0.020
Z	2°	10°	2°	10°
G1	10.42	10.92	0.410	0.430
K1	1.02	—	0.040	—
Z1	2°	10°	2°	10°

NOTES:

1. DUE TO SPACE LIMITATION, CASE 776-02 SHALL BE REPRESENTED BY A GENERAL (SMALLER) CASE OUTLINE DRAWING RATHER THAN SHOWING ALL 28 LEADS.
2. DATUMS -L-, -M-, -N-, AND -P- DETERMINED WHERE TOP OF LEAD SHOULDER EXIT PLASTIC BODY AT MOLD PARTING LINE.
3. DIM G1, TRUE POSITION TO BE MEASURED AT DATUM -T-, SEATING PLANE.
4. DIM R AND U DO NOT INCLUDE MOLD PROTRUSION. ALLOWABLE MOLD PROTRUSION IS 0.25 (0.010) PER SIDE.
5. DIMENSIONING AND TOLERANCING PER ANSI Y14.5M, 1982.
6. CONTROLLING DIMENSION: INCH.
7. 776-01 IS OBSOLETE, NEW STANDARD 776-02.

Motorola reserves the right to make changes without further notice to any products herein. Motorola makes no warranty, representation or guarantee regarding the suitability of its products for any particular purpose, nor does Motorola assume any liability arising out of the application or use of any product or circuit, and specifically disclaims any and all liability, including without limitation consequential or incidental damages. "Typical" parameters which may be provided in Motorola data sheets and/or specifications can and do vary in different applications and actual performance may vary over time. All operating parameters, including "Typicals" must be validated for each customer application by customer's technical experts. Motorola does not convey any license under its patent rights nor the rights of others. Motorola products are not designed, intended, or authorized for use as components in systems intended for surgical implant into the body, or other applications intended to support or sustain life, or for any other application in which the failure of the Motorola product could create a situation where personal injury or death may occur. Should Buyer purchase or use Motorola products for any such unintended or unauthorized application, Buyer shall indemnify and hold Motorola and its officers, employees, subsidiaries, affiliates, and distributors harmless against all claims, costs, damages, and expenses, and reasonable attorney fees arising out of, directly or indirectly, any claim of personal injury or death associated with such unintended or unauthorized use, even if such claim alleges that Motorola was negligent regarding the design or manufacture of the part. Motorola and  are registered trademarks of Motorola, Inc. Motorola, Inc. is an Equal Opportunity/Affirmative Action Employer.

**How to reach us:**

**USA/EUROPE/Locations Not Listed:** Motorola Literature Distribution;  
P.O. Box 20912; Phoenix, Arizona 85036. 1-800-441-2447 or 602-303-5454

**MFAX:** RMFAX0@email.sps.mot.com – TOUCHTONE 602-244-6609  
**INTERNET:** <http://Design-NET.com>

**JAPAN:** Nippon Motorola Ltd.; Tatsumi-SPD-JLDC, 6F Seibu-Butsuryu-Center,  
3-14-2 Tatsumi Koto-Ku, Tokyo 135, Japan. 03-81-3521-8315

**ASIA/PACIFIC:** Motorola Semiconductors H.K. Ltd.; 8B Tai Ping Industrial Park,  
51 Ting Kok Road, Tai Po, N.T., Hong Kong. 852-26629298

