



# Quad High Side Switch (Dual 10 mOhm, Dual 35 mOhm)

The 10XS3435 is one in a family of devices designed for low-voltage automotive lighting applications. Its four low  $R_{DS(ON)}$  MOSFETs (dual 10 mOhm/dual 35 mOhm) can control four separate 55 W / 28 W bulbs, and/or Xenon modules, and/or LEDs.

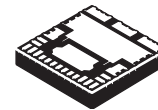
Programming, control and diagnostics are accomplished using a 16-bit SPI interface. Its output with selectable slew-rate improves electromagnetic compatibility (EMC) behavior. Additionally, each output has its own parallel input or SPI control for pulse-width modulation (PWM) control if desired. The 10XS3435 allows the user to program via the SPI the fault current trip levels and duration of acceptable lamp inrush. The device has fail-safe mode to provide fail-safe functionality of the outputs in case of MCU damaged.

## Features

- Four protected 10 mΩ and 35 mΩ high side switches (at 25°C)
- Operating voltage range of 6.0 V to 20 V with sleep current < 5.0 μA, extended mode from 4.0 V to 28 V
- 8.0 MHz 16-bit 3.3 V and 5.0 V SPI control and status reporting with daisy chain capability
- PWM module using external clock or calibratable internal oscillator with programmable outputs delay management
- Smart over-current shutdown, severe short-circuit, over-temperature protections with time limited autoretry, and fail-safe mode in case of MCU damage
- Output OFF or ON open-load detection compliant to bulbs or leds and short to battery detection. analog current feedback with selectable ratio and board temperature feedback.
- Pb-free packaging designated by suffix code DPNA

**10XS3435**

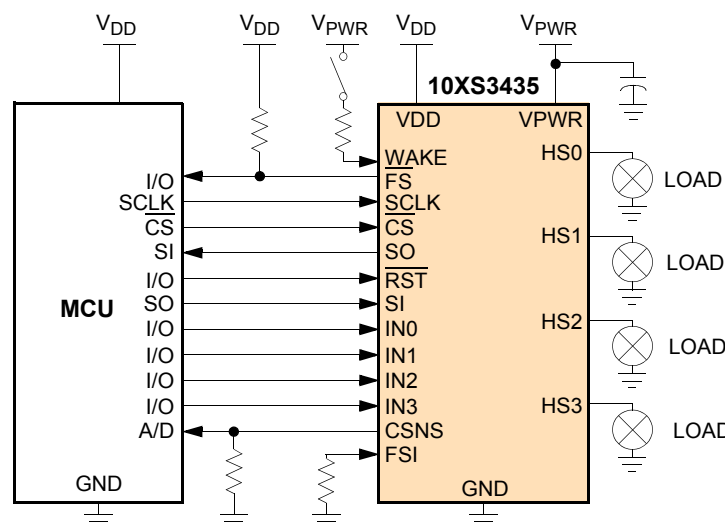
**HIGH SIDE SWITCH**



**PNA SUFFIX  
98ARL10596D  
24-PIN PQFN**

## ORDERING INFORMATION

| Device         | Temperature Range (T <sub>A</sub> ) | Package |
|----------------|-------------------------------------|---------|
| MC10XS3435BPNA | -40°C to 125°C                      | 24 PQFN |
| MC10XS3435DPNA |                                     |         |



**Figure 1. 10XS3435 Simplified Application Diagram**

\* This document contains certain information on a new product. Specifications and information herein are subject to change without notice.

## DEVICE VARIATIONS

**Table 1. Device Variations**

| Characteristic  | Symbol         | Min                    | Typ        | Max      | Unit               |
|---|----------------|------------------------|------------|----------|--------------------|
| Wake Input Clamp Voltage, $I_{CL(WAKE)} < 2.5 \text{ mA}$<br>10XS3435B<br>10XS3435D | $V_{CL(WAKE)}$ | 18<br>20               | 25<br>27   | 32<br>35 | V                  |
| Fault Detection Blanking Time<br>10XS3435B<br>10XS3435D                             | $t_{FAULT}$    | -<br>-                 | 5.0<br>5.0 | 20<br>10 | $\mu\text{s}$      |
| Output Shutdown Delay Time<br>10XS3435B<br>10XS3435D                                | $t_{DETECT}$   | -<br>-                 | 7.0<br>7.0 | 30<br>20 | $\mu\text{s}$      |
| Peak Package Reflow Temperature During Reflow <sup>(1), (2)</sup>                   | $T_{PPRT}$     | <a href="#">Note 2</a> |            |          | $^{\circ}\text{C}$ |

1. Pin soldering temperature limit is for 10 seconds maximum duration. Not designed for immersion soldering. Exceeding these limits may cause malfunction or permanent damage to the device.
2. Freescale's Package Reflow capability meets Pb-free requirements for JEDEC standard J-STD-020C. For Peak Package Reflow Temperature and Moisture Sensitivity Levels (MSL), Go to [www.freescale.com](http://www.freescale.com), search by part number [e.g. remove prefixes/suffixes and enter the core ID to view all orderable parts (i.e. MC33xxxD enter 33xxx), and review parametrics.

## INTERNAL BLOCK DIAGRAM

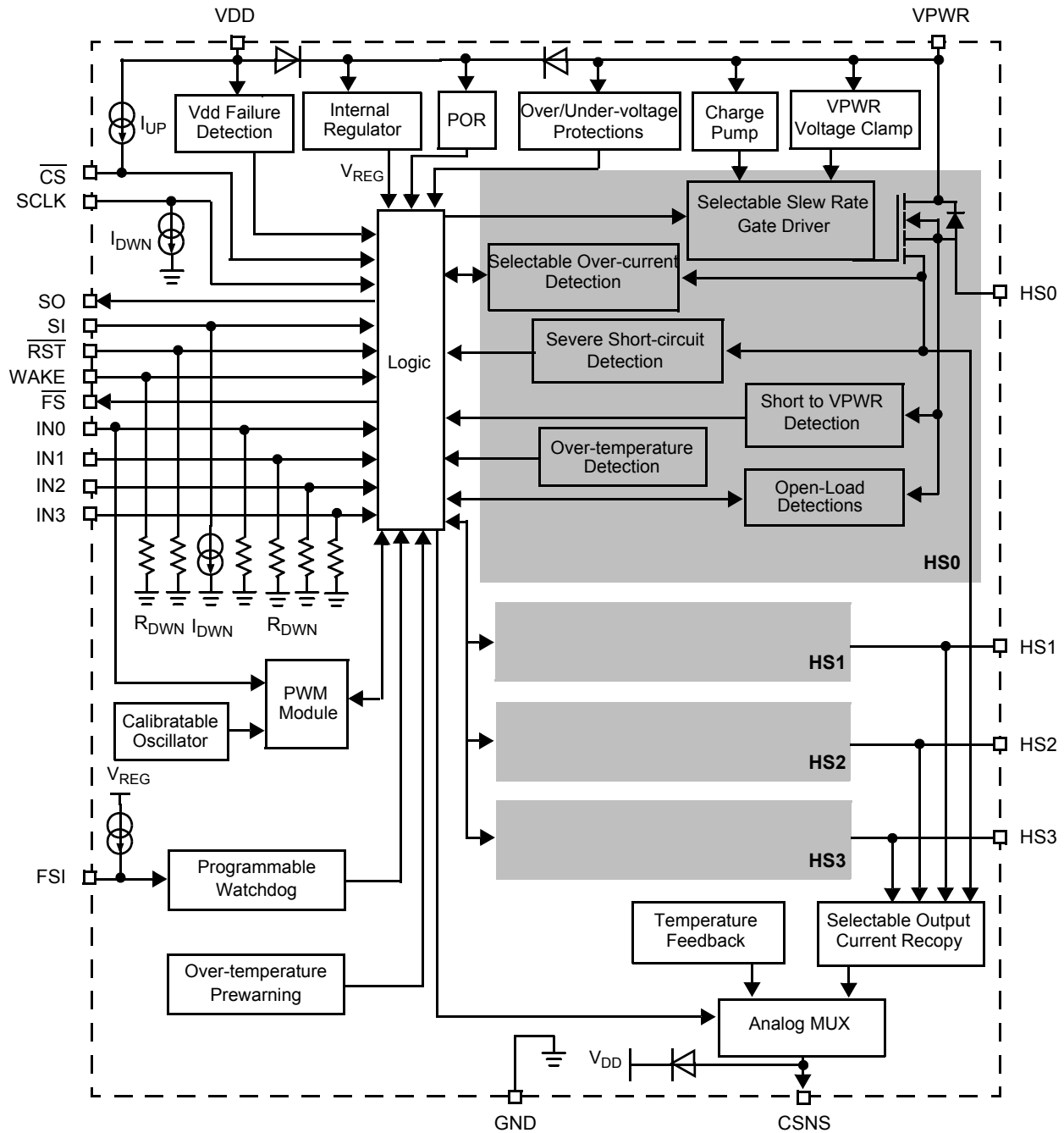


Figure 2. 10XS3435 Simplified Internal Block Diagram

## PIN CONNECTIONS

### Transparent Top View of Package

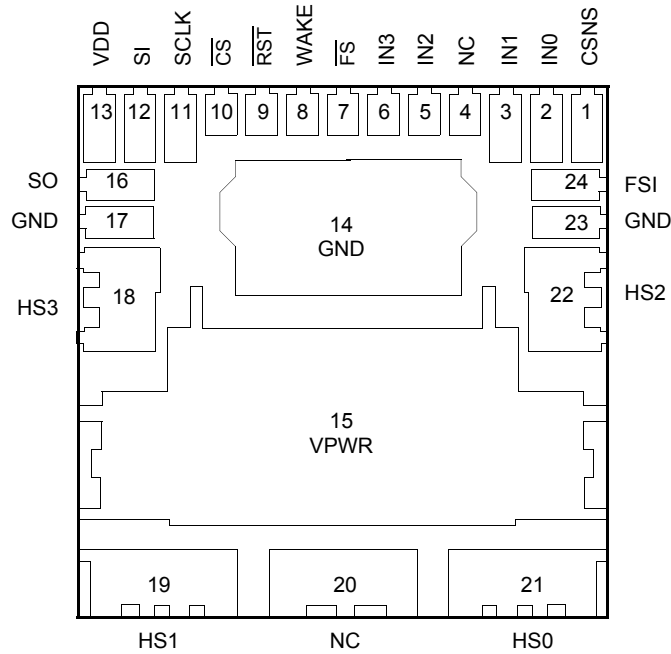


Figure 3. 10XS3435 Pin Connections

Table 2. 10XS3435 Pin Definitions

A functional description of each pin can be found in the Functional Pin Description section beginning on page 24.

| Pin Number       | Pin Name                 | Pin Function | Formal Name               | Definition  |
|------------------|--------------------------|--------------|---------------------------|---|
| 1                | CSNS                     | Output       | Output Current Monitoring | This pin reports an analog value proportional to the designated HS[0:3] output current or the temperature of the GND flag (pin 14). It is used externally to generate a ground-referenced voltage for the microcontroller (MCU). Current recopy and temperature feedback is SPI programmable. |
| 2<br>3<br>5<br>6 | IN0<br>IN1<br>IN2<br>IN3 | Input        | Direct Inputs             | Each direct input controls the device mode. The IN[0:3] high side input pins are used to directly control HS0:HS3 high side output pins.<br><br>The PWM frequency can be generated from IN0 pin to PWM module in case of external clock is set.   |
| 7                | $\overline{FS}$          | Output       | Fault Status (Active Low) | This pin is an open drain configured output requiring an external pull-up resistor to $V_{DD}$ for fault reporting.   |
| 8                | WAKE                     | Input        | Wake                      | This input pin controls the device mode.  |
| 9                | $\overline{RST}$         | Input        | Reset                     | This input pin is used to initialize the device configuration and fault registers, as well as place the device in a low-current sleep mode.   |
| 10               | $\overline{CS}$          | Input        | Chip Select (Active Low)  | This input pin is connected to a chip select output of a master microcontroller (MCU).  |
| 11               | SCLK                     | Input        | Serial Clock              | This input pin is connected to the MCU providing the required bit shift clock for SPI communication.  |
| 12               | SI                       | Input        | Serial Input              | This pin is a command data input pin connected to the SPI Serial Data Output of the MCU or to the SO pin of the previous device of a daisy-chain of devices.  |
| 13               | VDD                      | Power        | Digital Drain Voltage     | This pin is an external voltage input pin used to supply power interfaces to the SPI bus.   |

**Table 2. 10XS3435 Pin Definitions (continued)**

A functional description of each pin can be found in the Functional Pin Description section beginning on page [24](#).

| Pin Number           | Pin Name                 | Pin Function | Formal Name           | Definition  |
|----------------------|--------------------------|--------------|-----------------------|---|
| 14, 17, 23           | GND                      | Ground       | Ground                | These pins, internally shorted, are the ground for the logic and analog circuitry of the device. These ground pins must be also shorted in the board. |
| 15                   | VPWR                     | Power        | Positive Power Supply | This pin connects to the positive power supply and is the source of operational power for the device.   |
| 16                   | SO                       | Output       | Serial Output         | This output pin is connected to the SPI Serial Data Input pin of the MCU or to the SI pin of the next device of a daisy-chain of devices.             |
| 18<br>19<br>21<br>22 | HS3<br>HS1<br>HS0<br>HS2 | Output       | High Side Outputs     | Protected 10 mΩ (HS0 and HS1) 35 mΩ (HS2 and HS3) high side power output pins to the load.  |
| 4, 20                | NC                       | N/A          | No Connect            | These pins may not be connected.  |
| 24                   | FSI                      | Input        | Fail-safe Input       | This input enables the watchdog timeout feature.  |

## ELECTRICAL CHARACTERISTICS

### MAXIMUM RATINGS

**Table 3. Maximum Ratings**

All voltages are with respect to ground unless otherwise noted. Exceeding these ratings may cause a malfunction or permanent damage to the device.

| Ratings  | Symbol   | Value                          | Unit |
|--|--|--------------------------------|------|
| <b>ELECTRICAL RATINGS</b>  |  |                                |      |
| V <sub>PWR</sub> Supply Voltage Range<br>Load Dump at 25°C (400 ms)<br>Maximum Operating Voltage<br>Reverse Battery  | V <sub>PWR(SS)</sub>   | 41<br>28<br>-18                | V    |
| V <sub>DD</sub> Supply Voltage Range   | V <sub>DD</sub>  | -0.3 to 5.5                    | V    |
| Input/Output Voltage   | (6)  | -0.3 to V <sub>DD</sub> +0.3   | V    |
| WAKE Input Clamp Current   | I <sub>CL(WAKE)</sub>  | 2.5                            | mA   |
| CSNS Input Clamp Current   | I <sub>CL(CSNS)</sub>  | 2.5                            | mA   |
| HS [0:3] Voltage<br>Positive<br>Negative   | V <sub>HS[0:3]</sub>   | 41<br>-24                      | V    |
| Output Current <sup>(3)</sup>  | I <sub>HS[0:3]</sub>   | 6.0                            | A    |
| HS[0,1] Output Clamp Energy using single pulse method <sup>(4)</sup>   | E <sub>CL[0:1]</sub>   | 100                            | mJ   |
| HS[2,3] Output Clamp Energy using single pulse method <sup>(4)</sup>   | E <sub>CL[2:3]</sub>   | 35                             | mJ   |
| ESD Voltage <sup>(5)</sup><br>Human Body Model (HBM) for HS[0:3], VPWR and GND<br>Human Body Model (HBM) for other pins<br>Charge Device Model (CDM)<br>Corner Pins (1, 13, 19, 21)<br>All Other Pins (2-12, 14-18, 20, 22-24) | V <sub>ESD1</sub><br>V <sub>ESD2</sub><br>V <sub>ESD3</sub><br>V <sub>ESD4</sub> | ±8000<br>±2000<br>±750<br>±500 | V    |
| <b>THERMAL RATINGS</b>   |  |                                |      |
| Operating Temperature<br>Ambient<br>Junction   | T <sub>A</sub><br>T <sub>J</sub>   | -40 to 125<br>-40 to 150       | °C   |
| Storage Temperature  | T <sub>STG</sub>   | -55 to 150                     | °C   |

**Notes**

3. Continuous high side output current rating so long as maximum junction temperature is not exceeded. Calculation of maximum output current using package thermal resistance is required.
4. Active clamp energy using single-pulse method (L = 2.0 mH, R<sub>L</sub> = 0 Ω, V<sub>PWR</sub> = 14 V, T<sub>J</sub> = 150°C initial).
5. ESD testing is performed in accordance with the Human Body Model (HBM) (C<sub>ZAP</sub> = 100 pF, R<sub>ZAP</sub> = 1500 Ω), the Machine Model (MM) (C<sub>ZAP</sub> = 200 pF, R<sub>ZAP</sub> = 0 Ω), and the Charge Device Model (CDM), Robotic (C<sub>ZAP</sub> = 4.0 pF).
6. Input / Output pins are: IN[0:3], RSTB, FSI, CSNS, SI, SCLK, CSB, SO, FSB

**Table 3. Maximum Ratings (continued)**

All voltages are with respect to ground unless otherwise noted. Exceeding these ratings may cause a malfunction or permanent damage to the device.

| Ratings   | Symbol          | Value  | Unit |
|---|-----------------|--------|------|
| <b>THERMAL RESISTANCE</b>   |                 |        |      |
| Thermal Resistance <sup>(7)</sup>                                 |                 |        | °C/W |
| Junction to Case  | $R_{\theta JC}$ | <1.0   |      |
| Junction to Ambient   | $R_{\theta JA}$ | 30     |      |
| Peak Package Reflow Temperature During Reflow <sup>(8), (9)</sup> | $T_{PPRT}$      | Note 9 | °C   |

## Notes

- Device mounted on a 2s2p test board per JEDEC JESD51-2. 15 °C/W of  $R_{\theta JA}$  can be reached in a real application case (4 layers board).
- Pin soldering temperature limit is for 10 seconds maximum duration. Not designed for immersion soldering. Exceeding these limits may cause malfunction or permanent damage to the device.
- Freescale's Package Reflow capability meets Pb-free requirements for JEDEC standard J-STD-020C. For Peak Package Reflow Temperature and Moisture Sensitivity Levels (MSL), Go to [www.freescale.com](http://www.freescale.com), search by part number [e.g. remove prefixes/suffixes and enter the core ID to view all orderable parts (i.e. MC33xxx enter 33xxx), and review parametrics.

### STATIC ELECTRICAL CHARACTERISTICS

**Table 4. Static Electrical Characteristics**

Characteristics noted under conditions  $6.0\text{ V} \leq V_{PWR} \leq 20\text{ V}$ ,  $3.0\text{ V} \leq V_{DD} \leq 5.5\text{ V}$ ,  $-40^\circ\text{C} \leq T_A \leq 125^\circ\text{C}$ ,  $\text{GND} = 0\text{ V}$  unless otherwise noted. Typical values noted reflect the approximate parameter means at  $T_A = 25^\circ\text{C}$  under nominal conditions unless otherwise noted.

| Characteristic   | Symbol                          | Min | Typ | Max | Unit                 |
|--|---------------------------------|-----|-----|-----|----------------------|
| <b>POWER INPUTS</b>  |                                 |     |     |     |                      |
| Battery Supply Voltage Range   | $V_{PWR}$                       |     |     |     | V                    |
| Fully Operational  |                                 | 6.0 | –   | 20  |                      |
| Extended mode <sup>(10)</sup>  |                                 | 4.0 | –   | 28  |                      |
| Battery Clamp Voltage <sup>(11)</sup>  | $V_{PWR(\text{CLAMP})}$         | 41  | 47  | 53  | V                    |
| $V_{PWR}$ Operating Supply Current   | $I_{PWR(\text{ON})}$            |     |     |     | mA                   |
| Outputs commanded ON, HS[0:3] open,<br>IN[0:3] > $V_{IH}$  |                                 | –   | 6.5 | 20  |                      |
| $V_{PWR}$ Supply Current   | $I_{PWR(\text{SBY})}$           |     |     |     | mA                   |
| Outputs commanded OFF, OFF Open-load Detection Disabled, HS[0:3]<br>shorted to the ground with $V_{DD} = 5.5\text{ V}$<br>WAKE > $V_{IH}$ or RST > $V_{IH}$ and IN[0:3] < $V_{IL}$ |                                 | –   | 6.5 | 7.5 |                      |
| Sleep State Supply Current   | $I_{PWR(\text{SLEEP})}$         |     |     |     | $\mu\text{A}$        |
| $V_{PWR} = 12\text{V}$ , $\overline{\text{RST}} = \text{WAKE} = \text{IN}[0:3] < V_{IL}$ , HS[0:3] shorted to the ground   |                                 |     |     |     |                      |
| $T_A = 25^\circ\text{C}$   |                                 | –   | 1.0 | 5.0 |                      |
| $T_A = 85^\circ\text{C}$   |                                 | –   | –   | 30  |                      |
| $V_{DD}$ Supply Voltage  | $V_{DD(\text{ON})}$             | 3.0 | –   | 5.5 | V                    |
| $V_{DD}$ Supply Current at $V_{DD} = 5.5\text{ V}$   | $I_{DD(\text{ON})}$             |     |     |     | mA                   |
| No SPI Communication   |                                 | –   | 1.6 | 2.2 |                      |
| 8.0 MHz SPI Communication <sup>(12)</sup>  |                                 | –   | 5.0 | –   |                      |
| $V_{DD}$ Sleep State Current at $V_{DD} = 5.5\text{ V}$  | $I_{DD(\text{SLEEP})}$          | –   | –   | 5.0 | $\mu\text{A}$        |
| Over-voltage Shutdown Threshold  | $V_{PWR(\text{OV})}$            | 28  | 32  | 36  | V                    |
| Over-voltage Shutdown Hysteresis   | $V_{PWR(\text{OVHYS})}$         | 0.2 | 0.8 | 1.5 | V                    |
| Under-voltage Shutdown Threshold <sup>(13)</sup>   | $V_{PWR(\text{UV})}$            | 3.3 | 3.9 | 4.3 | V                    |
| $V_{PWR}$ and $V_{DD}$ Power on Reset Threshold  | $V_{\text{SUPPLY}(\text{POR})}$ | 0.5 | –   | 0.9 | $V_{PWR(\text{UV})}$ |
| Recovery Under-voltage Threshold   | $V_{PWR(\text{UV\_UP})}$        | 3.4 | 4.1 | 4.5 | V                    |
| $V_{DD}$ Supply Failure Threshold ( for $V_{PWR} > V_{PWR(\text{UV})}$ )   | $V_{DD(\text{FAIL})}$           | 2.2 | 2.5 | 2.8 | V                    |

**Notes**

- In extended mode, the functionality is guaranteed but not the electrical parameters. From 4.0 V to 6.0 V voltage range, the device is only protected with the thermal shutdown detection.
- Measured with the outputs open.
- Typical value guaranteed per design.
- Output will automatically recover with time limited autoretry to instructed state when  $V_{PWR}$  voltage is restored to normal as long as the  $V_{PWR}$  degradation level did not go below the under-voltage power-ON reset threshold. This applies to all internal device logic that is supplied by  $V_{PWR}$  and assumes that the external  $V_{DD}$  supply is within specification.



**Table 4. Static Electrical Characteristics (continued)**

Characteristics noted under conditions  $6.0\text{ V} \leq V_{PWR} \leq 20\text{ V}$ ,  $3.0\text{ V} \leq V_{DD} \leq 5.5\text{ V}$ ,  $-40^\circ\text{C} \leq T_A \leq 125^\circ\text{C}$ ,  $\text{GND} = 0\text{ V}$  unless otherwise noted. Typical values noted reflect the approximate parameter means at  $T_A = 25^\circ\text{C}$  under nominal conditions unless otherwise noted.

| Characteristic   | Symbol           | Min | Typ | Max                         | Unit             |
|--|------------------|-----|-----|-----------------------------|------------------|
| <b>OUTPUTS HS0 TO HS3</b>  |                  |     |     |                             |                  |
| HS[0,1] Output Drain-to-Source ON Resistance ( $I_{HS} = 5.0\text{ A}$ , $T_A = 25^\circ\text{C}$ )<br>$V_{PWR} = 4.5\text{ V}$<br>$V_{PWR} = 6.0\text{ V}$<br>$V_{PWR} = 10\text{ V}$<br>$V_{PWR} = 13\text{ V}$  | $R_{DS\_01(ON)}$ | –   | –   | 36<br>16<br>10<br>10        | $\text{m}\Omega$ |
| HS[0,1] Output Drain-to-Source ON Resistance ( $I_{HS} = 5.0\text{ A}$ , $T_A = 150^\circ\text{C}$ )<br>$V_{PWR} = 4.5\text{ V}$<br>$V_{PWR} = 6.0\text{ V}$<br>$V_{PWR} = 10\text{ V}$<br>$V_{PWR} = 13\text{ V}$ | $R_{DS\_01(ON)}$ | –   | –   | 62<br>27<br>17<br>17        | $\text{m}\Omega$ |
| HS[0,1] Output Source-to-Drain ON Resistance ( $I_{HS} = -5.0\text{ A}$ , $V_{PWR} = -18$ ) <sup>(14)</sup><br>$T_A = 25^\circ\text{C}$<br>$T_A = 150^\circ\text{C}$   | $R_{SD\_01(ON)}$ | –   | –   | 15<br>20                    | $\text{m}\Omega$ |
| HS[2,3] Output Drain-to-Source ON Resistance ( $I_{HS} = 5.0\text{ A}$ , $T_A = 25^\circ\text{C}$ )<br>$V_{PWR} = 4.5\text{ V}$<br>$V_{PWR} = 6.0\text{ V}$<br>$V_{PWR} = 10\text{ V}$<br>$V_{PWR} = 1.0\text{ V}$ | $R_{DS\_23(ON)}$ | –   | –   | 126<br>56<br>35<br>35       | $\text{m}\Omega$ |
| HS[2,3] Output Drain-to-Source ON Resistance ( $I_{HS} = 5.0\text{ A}$ , $T_A = 150^\circ\text{C}$ )<br>$V_{PWR} = 4.5\text{ V}$<br>$V_{PWR} = 6.0\text{ V}$<br>$V_{PWR} = 10\text{ V}$<br>$V_{PWR} = 13\text{ V}$ | $R_{DS\_23(ON)}$ | –   | –   | 217<br>94.5<br>59.5<br>59.5 | $\text{m}\Omega$ |
| HS[2,3] Output Source-to-Drain ON Resistance ( $I_{HS} = -5.0\text{ A}$ , $V_{PWR} = -18$ ) <sup>(14)</sup><br>$T_A = 25^\circ\text{C}$<br>$T_A = 150^\circ\text{C}$   | $R_{SD\_23(ON)}$ | –   | –   | 52.5<br>70                  | $\text{m}\Omega$ |
| HS[0,1] Maximum Severe Short-Circuit Impedance Detection <sup>(15)</sup>   | $R_{SHORT\_01}$  | 28  | 64  | 100                         | $\text{m}\Omega$ |
| HS[2,3] Maximum Severe Short-Circuit Impedance Detection <sup>(15)</sup>   | $R_{SHORT\_23}$  | 70  | 160 | 200                         | $\text{m}\Omega$ |

Notes

14. Source-Drain ON Resistance (Reverse Drain-to-Source ON Resistance) with negative polarity  $V_{PWR}$ .
15. Short-circuit impedance calculated from HS[0:3] to GND pins. Value guaranteed per design.

**Table 4. Static Electrical Characteristics (continued)**

Characteristics noted under conditions  $6.0\text{ V} \leq V_{PWR} \leq 20\text{ V}$ ,  $3.0\text{ V} \leq V_{DD} \leq 5.5\text{ V}$ ,  $-40^\circ\text{C} \leq T_A \leq 125^\circ\text{C}$ ,  $\text{GND} = 0\text{ V}$  unless otherwise noted. Typical values noted reflect the approximate parameter means at  $T_A = 25^\circ\text{C}$  under nominal conditions unless otherwise noted.

| Characteristic   | Symbol                 | Min  | Typ     | Max  | Unit |
|--|------------------------|------|---------|------|------|
| <b>OUTPUTS HS0 TO HS3 (CONTINUED)</b>  |                        |      |         |      |      |
| HS[0,1] Output Over-current Detection Levels ( $6.0\text{ V} \leq V_{HS[0:3]} \leq 20\text{ V}$ )                                  |                        |      |         |      | A    |
| 28 W bit = 0   | OCHI1_0                | 78   | 94.0    | 110  |      |
|  | OCHI2_0                | 50   | 60.0    | 70   |      |
|  | OC1_0                  | 44.1 | 52.5    | 60.9 |      |
|  | OC2_0                  | 37.8 | 45.0    | 52.2 |      |
|  | OC3_0                  | 31.5 | 37.5    | 43.5 |      |
|  | OC4_0                  | 25.2 | 30.0    | 34.8 |      |
|  | OCLO4_0                | 18.9 | 22.5    | 26.1 |      |
|  | OCLO3_0                | 12.6 | 15.0    | 17.4 |      |
|  | OCLO2_0                | 10.0 | 12.0    | 14.0 |      |
|  | OCLO1_0                | 6.4  | 8.0     | 9.6  |      |
| 28 W bit = 1   | OCHI1_1                | 39   | 47.0    | 55   |      |
|  | OCHI2_1                | 25   | 30.0    | 35   |      |
|  | OC1_1                  | 22.0 | 26.2    | 30.5 |      |
|  | OC2_1                  | 18.9 | 22.5    | 26.1 |      |
|  | OC3_1                  | 15.7 | 18.7    | 21.8 |      |
|  | OC4_1                  | 12.6 | 15.0    | 17.4 |      |
|  | OCLO4_1                | 4.5  | 6.0     | 7.5  |      |
|  | OCLO3_1                | 4.5  | 6.0     | 7.5  |      |
|  | OCLO2_1                | 4.5  | 6.0     | 7.5  |      |
|  | OCLO1_1                | 3.0  | 4.0     | 5.0  |      |
| HS[0,1] Current Sense Ratio ( $6.0\text{ V} \leq V_{HS[0:3]} \leq 20\text{ V}$ , $\text{CSNS} \leq 5.0\text{ V}$ ) <sup>(16)</sup> |                        |      |         |      | –    |
| 28 W bit = 0   |                        |      |         |      |      |
| CSNS_ratio bit = 0   | C <sub>SR0_0</sub>     | –    | 1/8900  | –    |      |
| CSNS_ratio bit = 1   | C <sub>SR1_0</sub>     | –    | 1/53000 | –    |      |
| 28 W bit = 1   |                        |      |         |      |      |
| CSNS_ratio bit = 0   | C <sub>SR0_1</sub>     | –    | 1/4450  | –    |      |
| CSNS_ratio bit = 1   | C <sub>SR1_1</sub>     | –    | 1/26500 | –    |      |
| HS[0,1] Current Sense Ratio (C <sub>SR0</sub> ) Accuracy ( $6.0\text{ V} \leq V_{HS[0:3]} \leq 20\text{ V}$ ) with 28W bit=0       | C <sub>SR0_0_ACC</sub> |      |         |      | %    |
| Output Current   |                        |      |         |      |      |
| 12.5 A   |                        | -12  | –       | 12   |      |
| 5.0 A  |                        | -13  | –       | 13   |      |
| 3.0 A  |                        | -16  | –       | 16   |      |
| 1.5 A  |                        | -20  | –       | 20   |      |

Notes

16. Current sense ratio =  $I_{CSNS} / I_{HS[0:3]}$

**Table 4. Static Electrical Characteristics (continued)**

Characteristics noted under conditions  $6.0\text{ V} \leq V_{PWR} \leq 20\text{ V}$ ,  $3.0\text{ V} \leq V_{DD} \leq 5.5\text{ V}$ ,  $-40^\circ\text{C} \leq T_A \leq 125^\circ\text{C}$ ,  $\text{GND} = 0\text{ V}$  unless otherwise noted. Typical values noted reflect the approximate parameter means at  $T_A = 25^\circ\text{C}$  under nominal conditions unless otherwise noted.

| Characteristic   | Symbol                         | Min               | Typ           | Max           | Unit |
|--|--------------------------------|-------------------|---------------|---------------|------|
| <b>OUTPUTS HS0 TO HS3 (CONTINUED)</b>  |                                |                   |               |               |      |
| HS[0,1] Current Sense Ratio ( $C_{SR0}$ ) Accuracy ( $6.0\text{ V} \leq V_{HS} \leq 20\text{ V}$ ) with 28 W bit=1<br>Output Current<br>3.0 A<br>1.5 A             | $C_{SR0\_1\_ACC}$              | -16<br>-20        | -             | 16<br>20      | %    |
| HS[0,1] Current Recopy Accuracy with one calibration point ( $6.0\text{ V} \leq V_{HS[0:3]} \leq 20\text{ V}$ ) <sup>(17)</sup><br>Output Current<br>5.0 A         | $C_{SR0\_0\_ACC(CAL)}$         | -5.0              | -             | 5.0           | %    |
| HS[0,1] $C_{SR0}$ Current Recopy Temperature Drift ( $6.0\text{ V} \leq V_{HS[0:3]} \leq 20\text{ V}$ ) with 28 W bit=0 <sup>(18)</sup><br>Output Current<br>5.0 A | $\Delta(C_{SR0\_0})/\Delta(T)$ |                   |               | 0.04          | %/°C |
| HS[0,1] Current Sense Ratio ( $C_{SR1}$ ) Accuracy ( $6.0\text{ V} \leq V_{HS[0:3]} \leq 20\text{ V}$ ) with 28 W bit=0<br>Output Current<br>12.5 A<br>75 A        | $C_{SR1\_0\_ACC}$              | -17<br>-12        | -             | +17<br>+12    | %    |
| Current Sense Clamp Voltage<br>CSNS Open; $I_{HS[0:3]} = 5.0\text{ A}$ with $C_{SR0}$ ratio  | $V_{CL(CSNS)}$                 | $V_{DD}+0.2$<br>5 | -             | $V_{DD}+1.0$  | V    |
| OFF Open-Load Detection Source Current <sup>(19)</sup>   | $I_{OLD(OFF)}$                 | 30                | -             | 100           | μA   |
| OFF Open-Load Fault Detection Voltage Threshold  | $V_{OLD(THRES)}$               | 2.0               | 3.0           | 4.0           | V    |
| ON Open-Load Fault Detection Current Threshold   | $I_{OLD(ON)}$                  | 100               | 300           | 600           | mA   |
| ON Open-Load Fault Detection Current Threshold with LED<br>$V_{HS[0:3]} = V_{PWR} - 0.75\text{ V}$   | $I_{OLD(ON\_LED)}$             | 2.5               | 5.0           | 10            | mA   |
| Output Short to $V_{PWR}$ Detection Voltage Threshold<br>Output programmed OFF   | $V_{OSD(THRES)}$               | $V_{PWR}-$<br>1.2 | $V_{PWR}-0.8$ | $V_{PWR}-0.4$ | V    |
| Output Negative Clamp Voltage<br>$0.5\text{ A} \leq I_{HS[0:3]} \leq 5.0\text{ A}$ , Output programmed OFF   | $V_{CL}$                       | -22               | -             | -16           | V    |
| Output Over-temperature Shutdown for $4.5\text{ V} < V_{PWR} < 28\text{ V}$  | $T_{SD}$                       | 155               | 175           | 195           | °C   |

Notes

- Based on statistical analysis. It is not production tested.
- Based on statistical data:  $\Delta(C_{SR0})/\Delta(T) = \{(\text{measured } I_{CSNS} \text{ at } T_1 - \text{measured } I_{CSNS} \text{ at } T_2) / \text{measured } I_{CSNS} \text{ at room}\} / \{T_1 - T_2\}$ . No production tested.
- Output OFF Open-Load Detection Current is the current required to flow through the load for the purpose of detecting the existence of an open-load condition when the specific output is commanded OFF. Pull-up current is measured for  $V_{HS} = V_{OLD(THRES)}$

**Table 4. Static Electrical Characteristics (continued)**

Characteristics noted under conditions  $6.0\text{ V} \leq V_{PWR} \leq 20\text{ V}$ ,  $3.0\text{ V} \leq V_{DD} \leq 5.5\text{ V}$ ,  $-40^\circ\text{C} \leq T_A \leq 125^\circ\text{C}$ ,  $\text{GND} = 0\text{ V}$  unless otherwise noted. Typical values noted reflect the approximate parameter means at  $T_A = 25^\circ\text{C}$  under nominal conditions unless otherwise noted.

| Characteristic   | Symbol                      | Min  | Typ     | Max  | Unit |
|--|-----------------------------|------|---------|------|------|
| <b>OUTPUTS HS0 TO HS3 (CONTINUED)</b>  |                             |      |         |      |      |
| HS[2,3] Output Over-current Detection Levels ( $6.0\text{ V} \leq V_{HS[0:3]} \leq 20\text{ V}$ )                                  | OCHI1_1                     | 39.5 | 47.0    | 54.5 | A    |
|  | OCHI2_1                     | 25.2 | 30.0    | 34.8 |      |
|  | OC1_1                       | 22.0 | 26.2    | 30.5 |      |
|  | OC2_1                       | 18.9 | 22.5    | 26.1 |      |
|  | OC3_1                       | 15.7 | 18.7    | 21.7 |      |
|  | OC4_1                       | 12.6 | 15.0    | 17.4 |      |
|  | OCLO4_1                     | 9.4  | 11.2    | 13.0 |      |
|  | OCLO3_1                     | 6.3  | 7.5     | 8.7  |      |
|  | OCLO2_1                     | 5.0  | 6.0     | 7.0  |      |
|  | OCLO1_1                     | 3.2  | 4.0     | 4.8  |      |
| HS[2,3] Current Sense Ratio ( $6.0\text{ V} \leq V_{HS[0:3]} \leq 20\text{ V}$ , $\text{CSNS} \leq 5.0\text{ V}$ ) <sup>(20)</sup> |                             |      |         |      | -    |
| CSNS_ratio bit = 0   | C <sub>SR0_1</sub>          | -    | 1/4350  | -    |      |
| CSNS_ratio bit = 1   | C <sub>SR1_1</sub>          | -    | 1/25500 | -    |      |
| HS[2,3] Current Sense Ratio (C <sub>SR0</sub> ) Accuracy ( $6.0\text{ V} \leq V_{HS[0:3]} \leq 20\text{ V}$ )                      | C <sub>SR0_0_ACC</sub>      |      |         |      | %    |
| Output Current   |                             |      |         |      |      |
| 6.25 A   |                             | -12  | -       | 12   |      |
| 2.5 A  |                             | -13  | -       | 13   |      |
| 1.5 A  |                             | -16  | -       | 16   |      |
| 0.75 A   |                             | -20  | -       | 20   |      |
| HS[2,3] Current Recopy Accuracy with one calibration point ( $6.0\text{ V} \leq V_{HS[0:3]} \leq 20\text{ V}$ ) <sup>(21)</sup>    | C <sub>SR0_0_ACC(CAL)</sub> | -5.0 | -       | 5.0  | %    |
| Output Current   |                             |      |         |      |      |
| 2.5 A  |                             |      |         |      |      |

Notes

- 20. Current sense ratio =  $I_{CSNS} / I_{HS[0:3]}$
- 21. Based on statistical analysis. It is not production tested.

**Table 4. Static Electrical Characteristics (continued)**

Characteristics noted under conditions  $6.0\text{ V} \leq V_{PWR} \leq 20\text{ V}$ ,  $3.0\text{ V} \leq V_{DD} \leq 5.5\text{ V}$ ,  $-40^\circ\text{C} \leq T_A \leq 125^\circ\text{C}$ ,  $\text{GND} = 0\text{ V}$  unless otherwise noted. Typical values noted reflect the approximate parameter means at  $T_A = 25^\circ\text{C}$  under nominal conditions unless otherwise noted.

| Characteristic   | Symbol                | Min          | Typ      | Max          | Unit             |
|--|-----------------------|--------------|----------|--------------|------------------|
| <b>CONTROL INTERFACE</b>   |                       |              |          |              |                  |
| Input Logic High Voltage <sup>(22)</sup>   | $V_{IH}$              | 2.0          | –        | $V_{DD}+0.3$ | V                |
| Input Logic Low Voltage <sup>(22)</sup>  | $V_{IL}$              | -0.3         | –        | 0.8          | V                |
| Input Logic Pull-down Current (SCLK, SI) <sup>(25)</sup>   | $I_{DWN}$             | 5.0          | –        | 20           | $\mu\text{A}$    |
| Input Logic Pull-up Current ( $\overline{\text{CS}}$ ) <sup>(26)</sup>   | $I_{UP}$              | 5.0          | –        | 20           | $\mu\text{A}$    |
| SO, $\overline{\text{FS}}$ Tri-State Capacitance <sup>(23)</sup>   | $C_{SO}$              | –            | –        | 20           | pF               |
| Input Logic Pull-down Resistor ( $\overline{\text{RST}}$ , WAKE and IN[0:3])   | $R_{DWN}$             | 125          | 250      | 500          | $\text{k}\Omega$ |
| Input Capacitance <sup>(23)</sup>  | $C_{IN}$              | –            | 4.0      | 12           | pF               |
| Wake Input Clamp Voltage <sup>(24)</sup> , $I_{CL(\text{WAKE})} < 2.5\text{ mA}$   | $V_{CL(\text{WAKE})}$ |              |          |              | V                |
|  |                       | 18           | 25       | 32           |                  |
|  |                       | 20           | 27       | 35           |                  |
| Wake Input Forward Voltage<br>$I_{CL(\text{WAKE})} = -2.5\text{ mA}$   | $V_{F(\text{WAKE})}$  | -2.0         | –        | -0.3         | V                |
| SO High-state Output Voltage<br>$I_{OH} = 1.0\text{ mA}$   | $V_{SOH}$             | $V_{DD}-0.4$ | –        | –            | V                |
| SO and $\overline{\text{FS}}$ Low-state Output Voltage<br>$I_{OL} = -1.0\text{ mA}$  | $V_{SOL}$             | –            | –        | 0.4          | V                |
| SO, CSNS and $\overline{\text{FS}}$ Tri-state Leakage Current<br>$\overline{\text{CS}} = V_{IH}$ and $0\text{ V} \leq V_{SO} \leq V_{DD}$ , or $\overline{\text{FS}} = 5.5\text{ V}$ , or CSNS=0.0 V | $I_{SO(\text{LEAK})}$ | -2.0         | 0        | 2.0          | $\mu\text{A}$    |
| FSI External Pull-down Resistance <sup>(27)</sup>  |                       |              |          |              | $\text{k}\Omega$ |
| Watchdog Disabled  | RFS                   | –            | 0        | 1.0          |                  |
| Watchdog Enabled   |                       | 10           | Infinite | –            |                  |

Notes

22. Upper and lower logic threshold voltage range applies to SI,  $\overline{\text{CS}}$ , SCLK,  $\overline{\text{RST}}$ , IN[0:3] and WAKE input signals. The WAKE and  $\overline{\text{RST}}$  signals may be supplied by a derived voltage referenced to  $V_{PWR}$ .
23. Input capacitance of SI,  $\overline{\text{CS}}$ , SCLK,  $\overline{\text{RST}}$ , IN[0:3] and WAKE. This parameter is guaranteed by process monitoring but is not production tested.
24. The current must be limited by a series resistance when using voltages  $> 7.0\text{ V}$ .
25. Pull-down current is with  $V_{SI} \geq 1.0\text{ V}$  and  $V_{SCLK} \geq 1.0\text{ V}$ .
26. Pull-up current is with  $V_{\overline{\text{CS}}} \leq 2.0\text{ V}$ .  $\overline{\text{CS}}$  has an active internal pull-up to  $V_{DD}$ .
27. In Fail-Safe HS[0:3] depends respectively on ON[0:3]. FSI has an active internal pull-up to  $V_{REG} \sim 3.0\text{ V}$ .

**DYNAMIC ELECTRICAL CHARACTERISTICS**

**Table 5. Dynamic Electrical Characteristics**

Characteristics noted under conditions  $6.0\text{ V} \leq V_{PWR} \leq 20\text{ V}$ ,  $3.0\text{ V} \leq V_{DD} \leq 5.5\text{ V}$ ,  $-40^\circ\text{C} \leq T_A \leq 125^\circ\text{C}$ ,  $\text{GND} = 0\text{ V}$  unless otherwise noted. Typical values noted reflect the approximate parameter means at  $T_A = 25^\circ\text{C}$  under nominal conditions unless otherwise noted.

| Characteristic   | Symbol                          | Min  | Typ  | Max | Unit             |
|--|---------------------------------|------|------|-----|------------------|
| <b>POWER OUTPUT TIMING HS0 TO HS3</b>  |                                 |      |      |     |                  |
| Output Rising Medium Slew Rate (medium speed slew rate / SR[1:0]=00) <sup>(28)</sup><br>$V_{PWR} = 14\text{ V}$  | SR <sub>R_00</sub>              | 0.15 | 0.3  | 0.6 | V/ $\mu\text{s}$ |
| Output Rising Slow Slew Rate (low speed slew rate / SR[1:0]=01) <sup>(28)</sup><br>$V_{PWR} = 14\text{ V}$   | SR <sub>R_01</sub>              | 0.07 | 0.15 | 0.3 | V/ $\mu\text{s}$ |
| Output Falling Fast Slew Rate (high speed slew rate / SR[1:0]=10) <sup>(28)</sup><br>$V_{PWR} = 14\text{ V}$   | SR <sub>R_10</sub>              | 0.3  | 0.6  | 1.2 | V/ $\mu\text{s}$ |
| Output Falling Medium Slew Rate (medium speed slew rate / SR[1:0]=00) <sup>(28)</sup><br>$V_{PWR} = 14\text{ V}$   | SR <sub>F_00</sub>              | 0.15 | 0.3  | 0.6 | V/ $\mu\text{s}$ |
| Output Falling Slow Slew Rate (low speed slew rate / SR[1:0]=01) <sup>(28)</sup><br>$V_{PWR} = 14\text{ V}$  | SR <sub>F_01</sub>              | 0.07 | 0.15 | 0.3 | V/ $\mu\text{s}$ |
| Output Falling Fast Slew Rate (high speed slew rate / SR[1:0]=10) <sup>(28)</sup><br>$V_{PWR} = 14\text{ V}$   | SR <sub>F_10</sub>              | 0.3  | 0.6  | 1.2 | V/ $\mu\text{s}$ |
| HS[2:3] Outputs Turn-ON and OFF Delay Times <sup>(29)(30)</sup><br>$V_{PWR} = 14\text{ V}$ for medium speed slew rate (SR[1:0]=00)   | t <sub>DLY_23</sub>             | 35   | 60   | 85  | $\mu\text{s}$    |
| HS[0:1] Outputs Turn-ON and OFF Delay Times <sup>(29)(30)</sup><br>$V_{PWR} = 14\text{ V}$ for medium speed slew rate (SR[1:0]=00)   | t <sub>DLY_12</sub>             | 45   | 70   | 95  | $\mu\text{s}$    |
| Driver Output Matching Slew Rate (SR <sub>R</sub> / SR <sub>F</sub> )<br>$V_{PWR} = 14\text{ V}$ @ $25^\circ\text{C}$ and for medium speed slew rate (SR[1:0]=00)  | $\Delta\text{SR}$               | 0.8  | 1.0  | 1.2 |                  |
| HS[0:1] Driver Output Matching Time (t <sub>DLY(ON)</sub> - t <sub>DLY(OFF)</sub> )<br>$V_{PWR} = 14\text{ V}$ , f <sub>PWM</sub> = 240 Hz, PWM duty cycle = 50%, @ $25^\circ\text{C}$ for medium speed slew rate (SR[1:0]=00) | $\Delta\text{t}_{\text{RF}_01}$ | -25  | 0    | 25  | $\mu\text{s}$    |
| HS[2:3] Driver Output Matching Time (t <sub>DLY(ON)</sub> - t <sub>DLY(OFF)</sub> )<br>$V_{PWR} = 14\text{ V}$ , f <sub>PWM</sub> = 240 Hz, PWM duty cycle = 50%, @ $25^\circ\text{C}$ for medium speed slew rate (SR[1:0]=00) | $\Delta\text{t}_{\text{RF}_23}$ | -20  | 5    | 30  | $\mu\text{s}$    |

Notes

28. Rise and Fall Slew Rates measured across a 5.0  $\Omega$  resistive load at high side output = 30% to 70% (see [Figure 4](#), page 21).
29. Turn-ON delay time measured from rising edge of any signal (IN[0:3] and CS) that would turn the output ON to  $V_{\text{HS}[0:3]} = V_{\text{PWR}} / 2$  with  $R_L = 5.0\ \Omega$  resistive load.
30. Turn-OFF delay time measured from falling edge of any signal (IN[0:3] and CS) that would turn the output OFF to  $V_{\text{HS}[0:3]} = V_{\text{PWR}} / 2$  with  $R_L = 5.0\ \Omega$  resistive load.

**Table 5. Dynamic Electrical Characteristics (continued)**

Characteristics noted under conditions  $6.0\text{ V} \leq V_{PWR} \leq 20\text{ V}$ ,  $3.0\text{ V} \leq V_{DD} \leq 5.5\text{ V}$ ,  $-40^\circ\text{C} \leq T_A \leq 125^\circ\text{C}$ ,  $\text{GND} = 0\text{ V}$  unless otherwise noted. Typical values noted reflect the approximate parameter means at  $T_A = 25^\circ\text{C}$  under nominal conditions unless otherwise noted.

| Characteristic                                    | Symbol              | Min | Typ                    | Max | Unit          |
|---|---------------------|-----|------------------------|-----|---------------|
| <b>POWER OUTPUT TIMING HS0 TO HS3 (CONTINUED)</b> |                     |     |                        |     |               |
| Fault Detection Blanking Time <sup>(31)</sup>     | $t_{\text{FAULT}}$  | -   | 5.0                    | 20  | $\mu\text{s}$ |
| 10XS3435B   |                     | -   | 5.0                    | 20  |               |
| 10XS3435D   |                     | -   | 5.0                    | 10  |               |
| Output Shutdown Delay Time <sup>(32)</sup>        | $t_{\text{DETECT}}$ | -   | 7.0                    | 30  | $\mu\text{s}$ |
| 10XS3435B   |                     | -   | 7.0                    | 30  |               |
| 10XS3435D   |                     | -   | 7.0                    | 20  |               |
| CSNS Valid Time <sup>(33)</sup>                   | $t_{\text{CNSVAL}}$ | -   | 70                     | 100 | $\mu\text{s}$ |
| Watchdog Time-out <sup>(34)</sup>                 | $t_{\text{WDTO}}$   | 217 | 310                    | 400 | ms            |
| ON Open-Load Fault Cyclic Detection Time with LED |                     | -   | $f_{\text{INO}} / 128$ | -   | ms            |

Notes

31. Time necessary to report the fault to  $\overline{\text{FS}}$  pin.
32. Time necessary to switch-off the output in case of OT or OC or SC or UV fault detection (from negative edge of  $\overline{\text{FS}}$  pin to HS voltage = 50% of  $V_{PWR}$ ).
33. Time necessary for CSNS to be within  $\pm 5\%$  of the targeted value (from HS voltage = 50% of  $V_{PWR}$  to  $\pm 5\%$  of the targeted CSNS value).
34. For FSI open, the Watchdog timeout delay measured from the rising edge of RST, to HS[0,2] output state depend on the corresponding input command.

**Table 5. Dynamic Electrical Characteristics (continued)**

Characteristics noted under conditions  $6.0\text{ V} \leq V_{\text{PWR}} \leq 20\text{ V}$ ,  $3.0\text{ V} \leq V_{\text{DD}} \leq 5.5\text{ V}$ ,  $-40^\circ\text{C} \leq T_{\text{A}} \leq 125^\circ\text{C}$ ,  $\text{GND} = 0\text{ V}$  unless otherwise noted. Typical values noted reflect the approximate parameter means at  $T_{\text{A}} = 25^\circ\text{C}$  under nominal conditions unless otherwise noted.

| Characteristic   | Symbol              | Min   | Typ   | Max   | Unit |
|--|---------------------|-------|-------|-------|------|
| <b>POWER OUTPUT TIMING HS0 TO HS3 (CONTINUED)</b>      |                     |       |       |       |      |
| HS[0,1] Output Over-current Time Step for 28 W bit = 0 |                     |       |       |       | ms   |
| OC[1:0]=00 (slow by default)                           | $t_{\text{OC1}_00}$ | 4.40  | 6.30  | 8.02  |      |
|  | $t_{\text{OC2}_00}$ | 1.62  | 2.32  | 3.00  |      |
|  | $t_{\text{OC3}_00}$ | 2.10  | 3.00  | 3.90  |      |
|  | $t_{\text{OC4}_00}$ | 2.88  | 4.12  | 5.36  |      |
|  | $t_{\text{OC5}_00}$ | 4.58  | 6.56  | 8.54  |      |
|  | $t_{\text{OC6}_00}$ | 10.16 | 14.52 | 18.88 |      |
|  | $t_{\text{OC7}_00}$ | 73.2  | 104.6 | 134.0 |      |
| OC[1:0]=01 (fast)                                      | $t_{\text{OC1}_01}$ | 1.10  | 1.57  | 2.00  |      |
|  | $t_{\text{OC2}_01}$ | 0.40  | 0.58  | 0.75  |      |
|  | $t_{\text{OC3}_01}$ | 0.52  | 0.75  | 0.98  |      |
|  | $t_{\text{OC4}_01}$ | 0.72  | 1.03  | 1.34  |      |
|  | $t_{\text{OC5}_01}$ | 1.14  | 1.64  | 2.13  |      |
|  | $t_{\text{OC6}_01}$ | 2.54  | 3.63  | 4.72  |      |
|  | $t_{\text{OC7}_01}$ | 18.2  | 26.1  | 34.0  |      |
| OC[1:0]=10 (medium)                                    | $t_{\text{OC1}_10}$ | 2.20  | 3.15  | 4.01  |      |
|  | $t_{\text{OC2}_10}$ | 0.81  | 1.16  | 1.50  |      |
|  | $t_{\text{OC3}_10}$ | 1.05  | 1.50  | 1.95  |      |
|  | $t_{\text{OC4}_10}$ | 1.44  | 2.06  | 2.68  |      |
|  | $t_{\text{OC5}_10}$ | 2.29  | 3.28  | 4.27  |      |
|  | $t_{\text{OC6}_10}$ | 5.08  | 7.26  | 9.44  |      |
|  | $t_{\text{OC7}_10}$ | 36.6  | 52.3  | 68.0  |      |
| OC[1:0]=11 (very slow)                                 | $t_{\text{OC1}_11}$ | 8.8   | 12.6  | 16.4  |      |
|  | $t_{\text{OC2}_11}$ | 3.2   | 4.6   | 21.4  |      |
|  | $t_{\text{OC3}_11}$ | 4.2   | 6.0   | 7.8   |      |
|  | $t_{\text{OC4}_11}$ | 5.7   | 8.2   | 10.7  |      |
|  | $t_{\text{OC5}_11}$ | 9.1   | 13.1  | 17.0  |      |
|  | $t_{\text{OC6}_11}$ | 20.3  | 29.0  | 37.7  |      |
|  | $t_{\text{OC7}_11}$ | 146.4 | 209.2 | 272.0 |      |



**Table 5. Dynamic Electrical Characteristics (continued)**

Characteristics noted under conditions  $6.0\text{ V} \leq V_{PWR} \leq 20\text{ V}$ ,  $3.0\text{ V} \leq V_{DD} \leq 5.5\text{ V}$ ,  $-40^\circ\text{C} \leq T_A \leq 125^\circ\text{C}$ ,  $\text{GND} = 0\text{ V}$  unless otherwise noted. Typical values noted reflect the approximate parameter means at  $T_A = 25^\circ\text{C}$  under nominal conditions unless otherwise noted.

| Characteristic   | Symbol        | Min   | Typ   | Max   | Unit |
|--|---------------|-------|-------|-------|------|
| <b>POWER OUTPUT TIMING HS0 TO HS3 (CONTINUED)</b>      |               |       |       |       |      |
| HS[0,1] Output Over-current Time Step for 28 W bit = 1 |               |       |       |       | ms   |
| HS[2,3] Output Over-current Time Step                  | $t_{OC1\_00}$ | 3.4   | 4.9   | 6.4   |      |
| OC[1:0]=00 (slow by default)                           | $t_{OC2\_00}$ | 1.1   | 1.6   | 2.1   |      |
|  | $t_{OC3\_00}$ | 1.4   | 2.1   | 2.8   |      |
|  | $t_{OC4\_00}$ | 2.0   | 2.9   | 3.8   |      |
|  | $t_{OC5\_00}$ | 3.4   | 4.9   | 6.4   |      |
|  | $t_{OC6\_00}$ | 8.5   | 12.2  | 15.9  |      |
|  | $t_{OC7\_00}$ | 62.4  | 89.2  | 116.0 |      |
| OC[1:0]=01 (fast)                                      | $t_{OC1\_01}$ | 0.86  | 1.24  | 1.61  |      |
|  | $t_{OC2\_01}$ | 0.28  | 0.40  | 0.52  |      |
|  | $t_{OC3\_01}$ | 0.36  | 0.52  | 0.68  |      |
|  | $t_{OC4\_01}$ | 0.51  | 0.74  | 0.96  |      |
|  | $t_{OC5\_01}$ | 0.78  | 1.12  | 1.46  |      |
|  | $t_{OC6\_01}$ | 2.14  | 3.06  | 3.98  |      |
|  | $t_{OC7\_01}$ | 20.2  | 22.2  | 28.9  |      |
| OC[1:0]=10 (medium)                                    | $t_{OC1\_10}$ | 1.7   | 2.5   | 3.3   |      |
|  | $t_{OC2\_10}$ | 0.5   | 0.8   | 1.0   |      |
|  | $t_{OC3\_10}$ | 0.7   | 1.0   | 1.3   |      |
|  | $t_{OC4\_10}$ | 1.0   | 1.5   | 2.0   |      |
|  | $t_{OC5\_10}$ | 1.7   | 2.5   | 3.3   |      |
|  | $t_{OC6\_10}$ | 4.2   | 6.1   | 6.0   |      |
|  | $t_{OC7\_10}$ | 31.2  | 44.6  | 58.0  |      |
| OC[1:0]=11 (very slow)                                 | $t_{OC1\_11}$ | 6.8   | 9.8   | 12.8  |      |
|  | $t_{OC2\_11}$ | 2.2   | 3.2   | 16.7  |      |
|  | $t_{OC3\_11}$ | 2.9   | 4.2   | 5.5   |      |
|  | $t_{OC4\_11}$ | 4.0   | 5.8   | 7.6   |      |
|  | $t_{OC5\_11}$ | 6.8   | 9.8   | 12.8  |      |
|  | $t_{OC6\_11}$ | 17.0  | 24.4  | 31.8  |      |
|  | $t_{OC7\_11}$ | 124.8 | 178.4 | 232.0 |      |

**Table 5. Dynamic Electrical Characteristics (continued)**

Characteristics noted under conditions  $6.0\text{ V} \leq V_{PWR} \leq 20\text{ V}$ ,  $3.0\text{ V} \leq V_{DD} \leq 5.5\text{ V}$ ,  $-40^\circ\text{C} \leq T_A \leq 125^\circ\text{C}$ ,  $\text{GND} = 0\text{ V}$  unless otherwise noted. Typical values noted reflect the approximate parameter means at  $T_A = 25^\circ\text{C}$  under nominal conditions unless otherwise noted.

| Characteristic                                    | Symbol        | Min | Typ | Max  | Unit |
|---|---------------|-----|-----|------|------|
| <b>POWER OUTPUT TIMING HS0 TO HS3 (CONTINUED)</b> |               |     |     |      |      |
| HS[0,1] Bulb Cooling Time Step for 28 W bit = 0   |               |     |     |      | ms   |
| CB[1:0]=00 or 11 (medium)                         | $t_{BC1\_00}$ | 242 | 347 | 452  |      |
|   | $t_{BC2\_00}$ | 126 | 181 | 236  |      |
|   | $t_{BC3\_00}$ | 140 | 200 | 260  |      |
|   | $t_{BC4\_00}$ | 158 | 226 | 294  |      |
|   | $t_{BC5\_00}$ | 181 | 259 | 337  |      |
|   | $t_{BC6\_00}$ | 211 | 302 | 393  |      |
| CB[1:0]=01 (fast)                                 | $t_{BC1\_01}$ | 121 | 173 | 226  |      |
|   | $t_{BC2\_01}$ | 63  | 90  | 118  |      |
|   | $t_{BC3\_01}$ | 70  | 100 | 130  |      |
|   | $t_{BC4\_01}$ | 79  | 113 | 147  |      |
|   | $t_{BC5\_01}$ | 90  | 129 | 169  |      |
|   | $t_{BC6\_01}$ | 105 | 151 | 197  |      |
| CB[1:0]=10 (slow)                                 | $t_{BC1\_10}$ | 484 | 694 | 1904 |      |
|   | $t_{BC2\_10}$ | 252 | 362 | 472  |      |
|   | $t_{BC3\_10}$ | 280 | 400 | 520  |      |
|   | $t_{BC4\_10}$ | 316 | 452 | 588  |      |
|   | $t_{BC5\_10}$ | 362 | 518 | 674  |      |
|   | $t_{BC6\_10}$ | 422 | 604 | 786  |      |
| HS[0,1] for 28 W bit = 1 or for HS2-HS3           |               |     |     |      |      |
| CB[1:0]=00 or 11 (medium)                         | $t_{BC1\_00}$ | 291 | 417 | 542  |      |
|   | $t_{BC2\_00}$ | 156 | 224 | 292  |      |
|   | $t_{BC3\_00}$ | 178 | 255 | 332  |      |
|   | $t_{BC4\_00}$ | 208 | 298 | 388  |      |
|   | $t_{BC5\_00}$ | 251 | 359 | 467  |      |
|   | $t_{BC6\_00}$ | 314 | 449 | 584  |      |
| CB[1:0]=01 (fast)                                 | $t_{BC1\_01}$ | 146 | 209 | 272  |      |
|   | $t_{BC2\_01}$ | 78  | 112 | 146  |      |
|   | $t_{BC3\_01}$ | 88  | 127 | 166  |      |
|   | $t_{BC4\_01}$ | 101 | 145 | 189  |      |
|   | $t_{BC5\_01}$ | 126 | 180 | 234  |      |
|   | $t_{BC6\_01}$ | 226 | 324 | 422  |      |
| CB[1:0]=10 (slow)                                 | $t_{BC1\_10}$ | 583 | 834 | 1085 |      |
|   | $t_{BC2\_10}$ | 312 | 448 | 582  |      |
|   | $t_{BC3\_10}$ | 357 | 510 | 665  |      |
|   | $t_{BC4\_10}$ | 417 | 596 | 775  |      |
|   | $t_{BC5\_10}$ | 501 | 717 | 933  |      |
|   | $t_{BC6\_10}$ | 628 | 898 | 1170 |      |

**Table 5. Dynamic Electrical Characteristics (continued)**

Characteristics noted under conditions  $6.0\text{ V} \leq V_{PWR} \leq 20\text{ V}$ ,  $3.0\text{ V} \leq V_{DD} \leq 5.5\text{ V}$ ,  $-40^\circ\text{C} \leq T_A \leq 125^\circ\text{C}$ ,  $\text{GND} = 0\text{ V}$  unless otherwise noted. Typical values noted reflect the approximate parameter means at  $T_A = 25^\circ\text{C}$  under nominal conditions unless otherwise noted.

| Characteristic   | Symbol                    | Min  | Typ  | Max   | Unit                       |
|--|---------------------------|------|------|-------|----------------------------|
| <b>PWM MODULE TIMING</b>   |                           |      |      |       |                            |
| Input PWM Clock Range on IN0   | $f_{\text{IN0}}$          | 7.68 | –    | 30.72 | kHz                        |
| Input PWM Clock Low Frequency Detection Range on IN0 <sup>(36)</sup>                                       | $f_{\text{IN0(LOW)}}$     | 1.0  | 2.0  | 4.0   | kHz                        |
| Input PWM Clock High Frequency Detection Range on IN0 <sup>(36)</sup>                                      | $f_{\text{IN0(HIGH)}}$    | 100  | –    | 400   | kHz                        |
| Output PWM Frequency Range using external clock on IN0   | $f_{\text{PWM}}$          | –    | –    | 1.0   | Hz                         |
| Output PWM Frequency Accuracy using Calibrated Oscillator  | $A_{\text{FPWM(CAL)}}$    | -10  | –    | +10   | %                          |
| Default Output PWM Frequency using Internal Oscillator   | $f_{\text{PWM(0)}}$       | 84   | 120  | 156   | Hz                         |
| $\overline{\text{CS}}$ Calibration Low Minimum Time Detection Range  | $t_{\text{CSB(MIN)}}$     | 14   | 20   | 26    | $\mu\text{s}$              |
| $\overline{\text{CS}}$ Calibration Low Maximum Time Detection Range  | $t_{\text{CSB(MAX)}}$     | 140  | 200  | 260   | $\mu\text{s}$              |
| Output PWM Duty-Cycle Range for $f_{\text{pwm}} = 1.0\text{ kHz}$ for high speed slew rate <sup>(36)</sup> | $R_{\text{PWM\_1k}}$      | 10   | –    | 94    | %                          |
| Output PWM Duty-Cycle Range for $f_{\text{pwm}} = 400\text{ Hz}$ <sup>(36)</sup>                           | $R_{\text{PWM\_400}}$     | 6.0  | –    | 98    | %                          |
| Output PWM Duty-Cycle Range for $f_{\text{pwm}} = 200\text{ Hz}$ <sup>(36)</sup>                           | $R_{\text{PWM\_200}}$     | 5.0  | –    | 98    | %                          |
| <b>INPUT TIMING</b>  |                           |      |      |       |                            |
| Direct Input Toggle Time-out   | $t_{\text{IN}}$           | 175  | 250  | 325   | ms                         |
| <b>AUTORETRY TIMING</b>  |                           |      |      |       |                            |
| Autoretry Period   | $t_{\text{AUTO}}$         | 105  | 150  | 195   | ms                         |
| <b>TEMPERATURE ON THE GND FLAG</b>   |                           |      |      |       |                            |
| Thermal Prewarning Detection <sup>(37)</sup>   | $T_{\text{OTWAR}}$        | 110  | 125  | 140   | $^\circ\text{C}$           |
| Analog Temperature Feedback at $T_A = 25^\circ\text{C}$ with $R_{\text{CSNS}}=2.5\text{ k}\Omega$          | $T_{\text{FEED}}$         | 1.15 | 1.20 | 1.25  | V                          |
| Analog Temperature Feedback Derating with $R_{\text{CSNS}}=2.5\text{ k}\Omega$ <sup>(38)</sup>             | $\text{DT}_{\text{FEED}}$ | -3.5 | -3.7 | -3.9  | $\text{mV}/^\circ\text{C}$ |

Notes

35. Clock Fail detector available for PWM\_en bit is set to logic [1] and CLOCK\_sel is set to logic [0].
36. The PWM ratio is measured at  $V_{\text{HS}} = 50\%$  of  $V_{\text{PWR}}$  and for the default SR value. It is possible to put the device fully-on (PWM duty-cycle 100%) and fully-off (duty-cycle 0%). For values outside this range, a calibration is needed between the PWM duty-cycle programming and the PWM on the output with  $R_L = 5.0\ \Omega$  resistive load.
37. Typical value guaranteed per design.
38. Value guaranteed per statistical analysis.

**Table 5. Dynamic Electrical Characteristics (continued)**

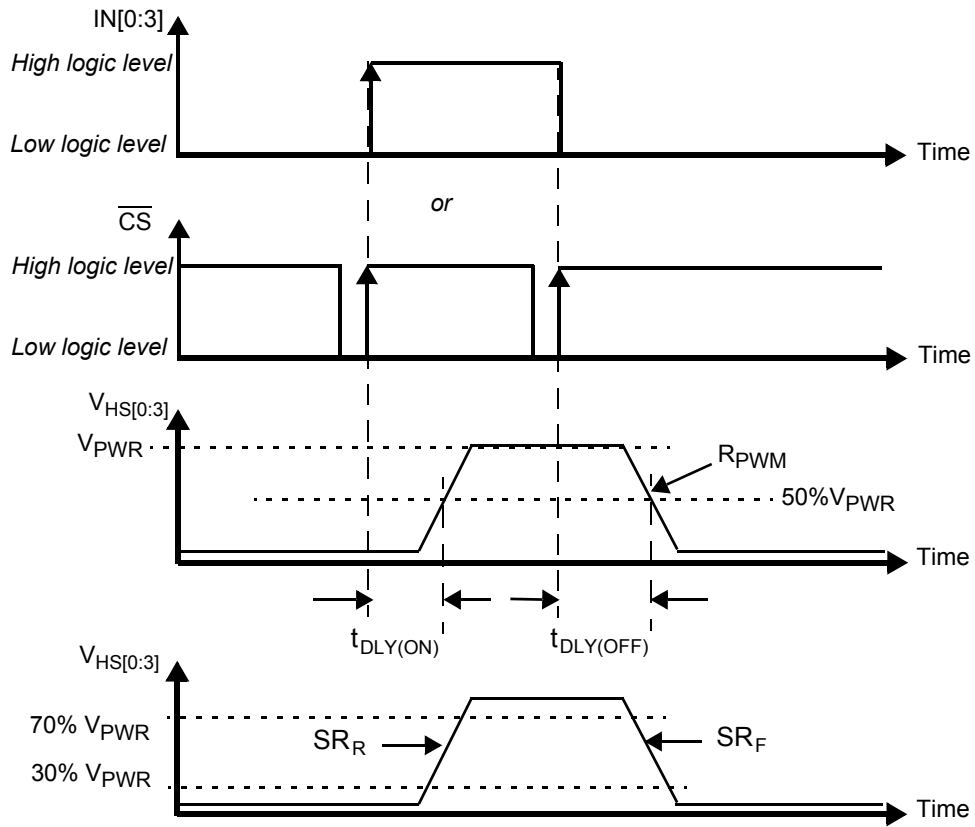
Characteristics noted under conditions  $6.0\text{ V} \leq V_{\text{PWR}} \leq 20\text{ V}$ ,  $3.0\text{ V} \leq V_{\text{DD}} \leq 5.5\text{ V}$ ,  $-40^\circ\text{C} \leq T_{\text{A}} \leq 125^\circ\text{C}$ ,  $\text{GND} = 0\text{ V}$  unless otherwise noted. Typical values noted reflect the approximate parameter means at  $T_{\text{A}} = 25^\circ\text{C}$  under nominal conditions unless otherwise noted.

| Characteristic   | Symbol                     | Min | Typ | Max | Unit          |
|--|----------------------------|-----|-----|-----|---------------|
| <b>SPI INTERFACE CHARACTERISTICS<sup>(39)</sup></b>  |                            |     |     |     |               |
| Maximum Frequency of SPI Operation   | $f_{\text{SPI}}$           | –   | –   | 8.0 | MHz           |
| Required Low State Duration for $\overline{\text{RST}}$ <sup>(40)</sup>  | $t_{\text{WRST}}$          | 10  | –   | –   | $\mu\text{s}$ |
| Rising Edge of $\overline{\text{CS}}$ to Falling Edge of $\overline{\text{CS}}$ (Required Setup Time) <sup>(41)</sup>  | $t_{\overline{\text{CS}}}$ | –   | –   | 1.0 | $\mu\text{s}$ |
| Rising Edge of $\overline{\text{RST}}$ to Falling Edge of $\overline{\text{CS}}$ (Required Setup Time) <sup>(41)</sup> | $t_{\text{ENBL}}$          | –   | –   | 5.0 | $\mu\text{s}$ |
| Falling Edge of $\overline{\text{CS}}$ to Rising Edge of SCLK (Required Setup Time) <sup>(41)</sup>                    | $t_{\text{LEAD}}$          | –   | –   | 500 | ns            |
| Required High State Duration of SCLK (Required Setup Time) <sup>(41)</sup>   | $t_{\text{WSCLKh}}$        | –   | –   | 50  | ns            |
| Required Low State Duration of SCLK (Required Setup Time) <sup>(41)</sup>  | $t_{\text{WSCLKl}}$        | –   | –   | 50  | ns            |
| Falling Edge of SCLK to Rising Edge of $\overline{\text{CS}}$ (Required Setup Time) <sup>(41)</sup>                    | $t_{\text{LAG}}$           | –   | –   | 60  | ns            |
| SI to Falling Edge of SCLK (Required Setup Time) <sup>(42)</sup>   | $t_{\text{SI(SU)}}$        | –   | –   | 37  | ns            |
| Falling Edge of SCLK to SI (Required Setup Time) <sup>(42)</sup>   | $t_{\text{SI(HOLD)}}$      | –   | –   | 49  | ns            |
| SO Rise Time<br>$C_{\text{L}} = 80\text{ pF}$  | $t_{\text{RSO}}$           | –   | –   | 13  | ns            |
| SO Fall Time<br>$C_{\text{L}} = 80\text{ pF}$  | $t_{\text{FSO}}$           | –   | –   | 13  | ns            |
| SI, $\overline{\text{CS}}$ , SCLK, Incoming Signal Rise Time <sup>(42)</sup>   | $t_{\text{RSI}}$           | –   | –   | 13  | ns            |
| SI, $\overline{\text{CS}}$ , SCLK, Incoming Signal Fall Time <sup>(42)</sup>   | $t_{\text{FSI}}$           | –   | –   | 13  | ns            |
| Time from Falling Edge of $\overline{\text{CS}}$ to SO Low-impedance <sup>(43)</sup>                                   | $t_{\text{SO(EN)}}$        | –   | –   | 60  | ns            |
| Time from Rising Edge of $\overline{\text{CS}}$ to SO High-impedance <sup>(44)</sup>                                   | $t_{\text{SO(DIS)}}$       | –   | –   | 60  | ns            |

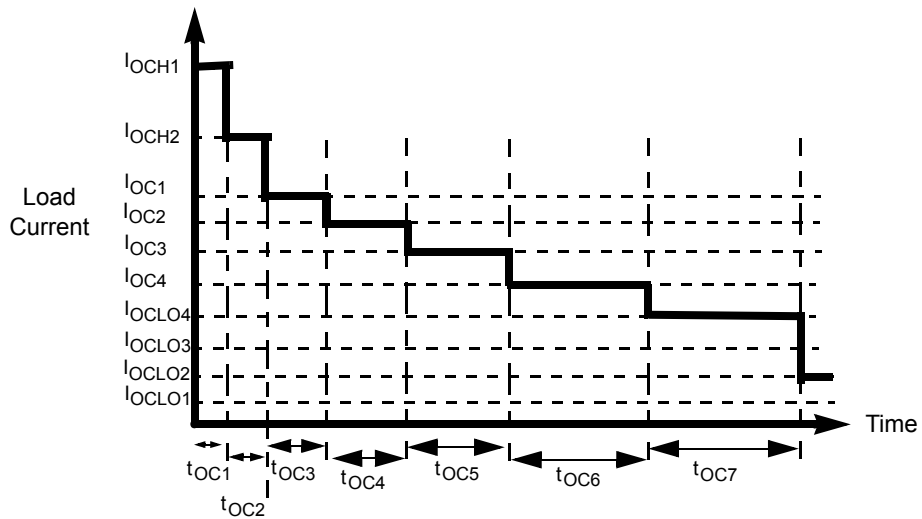
Notes

39. Parameters guaranteed by design.
40.  $\overline{\text{RST}}$  low duration measured with outputs enabled and going to OFF or disabled condition.
41. Maximum setup time required for the 10XS3435 is the minimum guaranteed time needed from the microcontroller.
42. Rise and Fall time of incoming SI,  $\overline{\text{CS}}$ , and SCLK signals suggested for design consideration to prevent the occurrence of double pulsing.
43. Time required for output status data to be available for use at SO. 1.0 k $\Omega$  on pull-up on  $\overline{\text{CS}}$ .
44. Time required for output status data to be terminated at SO. 1.0 k $\Omega$  on pull-up on  $\overline{\text{CS}}$ .

**TIMING DIAGRAMS**



**Figure 4. Output Slew Rate and Time Delays**



**Figure 5. Over-current Shutdown Protection**

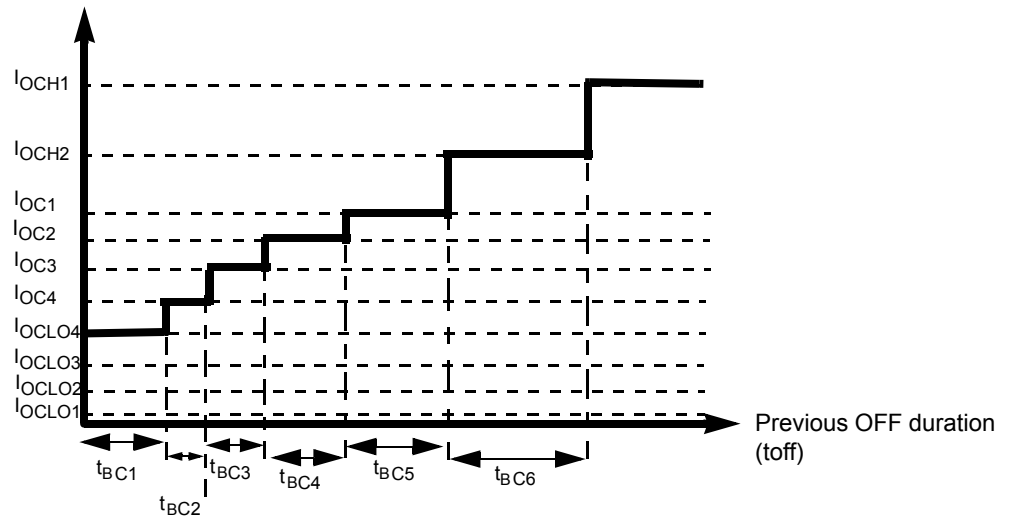


Figure 6. Bulb Cooling Management

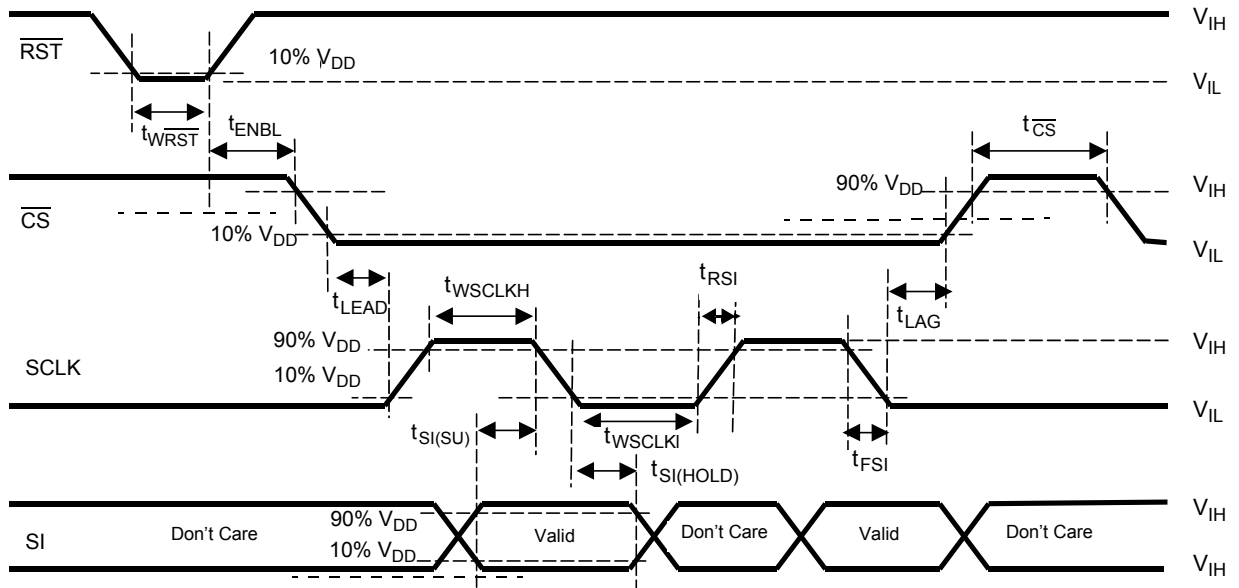


Figure 7. Input Timing Switching Characteristics

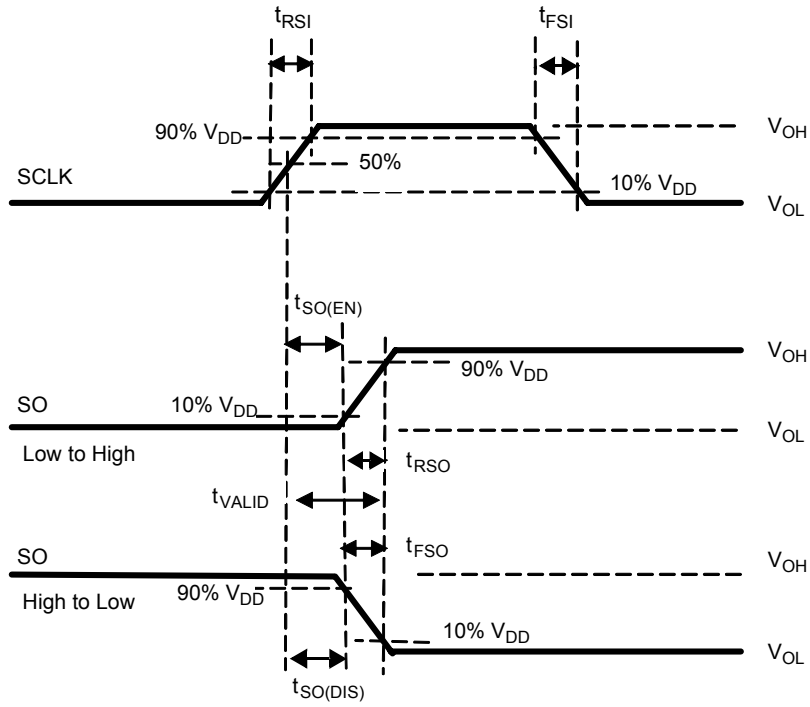


Figure 8. SCLK Waveform and Valid SO Data Delay Time

## FUNCTIONAL DESCRIPTION

### INTRODUCTION

The 10XS3435 is one in a family of devices designed for low-voltage automotive lighting applications. Its four low  $R_{DS(ON)}$  MOSFETs (dual 10 m $\Omega$ , dual 35 m $\Omega$ ) can control four separate 55 W / 28 W bulbs and/or Xenon modules.

Programming, control and diagnostics are accomplished using a 16-bit SPI interface. Its output with selectable slew-rate improves electromagnetic compatibility (EMC) behavior.

Additionally, each output has its own parallel input or SPI control for pulse-width modulation (PWM) control if desired. The 10XS3435 allows the user to program via the SPI the fault current trip levels and duration of acceptable lamp inrush. The device has fail-safe mode to provide fail-safe functionality of the outputs in case of MCU damaged.

### FUNCTIONAL PIN DESCRIPTION

#### OUTPUT CURRENT MONITORING (CSNS)

The Current Sense pin provides a current proportional to the designated HS0:HS3 output or a voltage proportional to the temperature on the GND flag. That current is fed into a ground-referenced resistor (2.5 k $\Omega$  typical) and its voltage is monitored by an MCU's A/D. The output type is selected via the SPI. This pin can be tri-stated through the SPI.

#### DIRECT INPUTS (IN0, IN1, IN2, IN3)

Each IN input wakes the device. The IN0:IN3 high side input pins are also used to directly control HS0:HS3 high side output pins. In case of the outputs are controlled by PWM module, the external PWM clock is applied to IN0 pin. These pins are to be driven with CMOS levels, and they have a passive internal pull-down,  $R_{DWN}$ .

#### FAULT STATUS ( $\overline{FS}$ )

This pin is an open drain configured output requiring an external pull-up resistor to  $V_{DD}$  for fault reporting. If a device fault condition is detected, this pin is active LOW. Specific device diagnostics and faults are reported via the SPI SO pin.

#### WAKE

The wake input wakes the device. An internal clamp protects this pin from high damaging voltages with a series resistor (10 k $\Omega$  typ). This input has a passive internal pull-down,  $R_{DWN}$ .

#### RESET ( $\overline{RST}$ )

The reset input wakes the device. This is used to initialize the device configuration and fault registers, as well as place the device in a low-current sleep mode. The pin also starts the watchdog timer when transitioning from logic [0] to logic [1]. This pin has a passive internal pull-down,  $R_{DWN}$ .

#### CHIP SELECT ( $\overline{CS}$ )

The  $\overline{CS}$  pin enables communication with the master microcontroller (MCU). When this pin is in a logic [0] state,

the device is capable of transferring information to, and receiving information from, the MCU. The 10XS3435 latches in data from the Input Shift registers to the addressed registers on the rising edge of  $\overline{CS}$ . The device transfers status information from the power output to the Shift register on the falling edge of  $\overline{CS}$ . The SO output driver is enabled when  $\overline{CS}$  is logic [0].  $\overline{CS}$  should transition from a logic [1] to a logic [0] state only when SCLK is a logic [0].  $\overline{CS}$  has an active internal pull-up from  $V_{DD}$ ,  $I_{UP}$ .

#### SERIAL CLOCK (SCLK)

The SCLK pin clocks the internal shift registers of the 10XS3435 device. The serial input (SI) pin accepts data into the input shift register on the falling edge of the SCLK signal while the serial output (SO) pin shifts data information out of the SO line driver on the rising edge of the SCLK signal. It is important the SCLK pin be in a logic low state whenever  $\overline{CS}$  makes any transition. For this reason, it is recommended the SCLK pin be in a logic [0] whenever the device is not accessed ( $\overline{CS}$  logic [1] state). SCLK has an active internal pull-down. When  $\overline{CS}$  is logic [1], signals at the SCLK and SI pins are ignored and SO is tri-stated (high-impedance) (see [Figure 10](#), page 27). SCLK input has an active internal pull-down,  $I_{DWN}$ .

#### SERIAL INPUT (SI)

This is a serial interface (SI) command data input pin. Each SI bit is read on the falling edge of SCLK. A 16-bit stream of serial data is required on the SI pin, starting with D15 (MSB) to D0 (LSB). The internal registers of the 10XS3435 are configured and controlled using a 5-bit addressing scheme described in [Table 10](#), page 35. Register addressing and configuration are described in [Table 11](#), page 35. SI input has an active internal pull-down,  $I_{DWN}$ .

#### DIGITAL DRAIN VOLTAGE (VDD)

This pin is an external voltage input pin used to supply power to the SPI circuit. In the event  $V_{DD}$  is lost ( $V_{DD}$  Failure), the device goes to Fail-safe mode.



## GROUND (GND)

These pins are the ground for the device.

## POSITIVE POWER SUPPLY (VPWR)

This pin connects to the positive power supply and is the source of operational power for the device. The VPWR contact is the backside surface mount tab of the package.

## SERIAL OUTPUT (SO)

The SO data pin is a tri-stateable output from the shift register. The SO pin remains in a high-impedance state until the  $\overline{CS}$  pin is put into a logic [0] state. The SO data is capable of reporting the status of the output, the device configuration, the state of the key inputs, etc. The SO pin changes state on the rising edge of SCLK and reads out on the falling edge of SCLK. SO reporting descriptions are provided in [Table 23](#), page [39](#).

## HIGH SIDE OUTPUTS (HS3, HS1, HS0, HS2)

Protected 10 m $\Omega$  and 12 m $\Omega$  high side power outputs to the load.

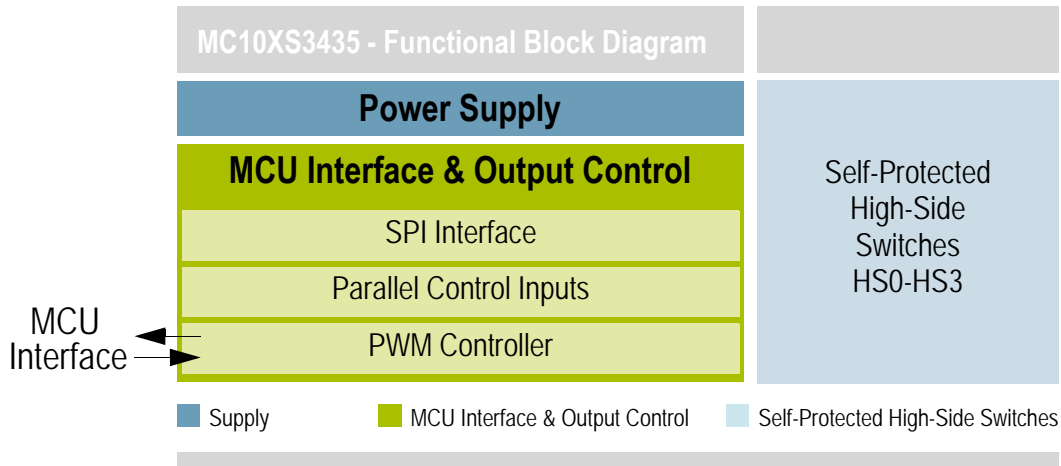
## FAIL-SAFE INPUT (FSI)

This pin incorporates an active internal pull-up current source from internal supply ( $V_{REG}$ ). This enables the watchdog time-out feature.

When the FSI pin is opened, the Watchdog circuit is enabled. After a watchdog timeout occurs, the output states depends on IN[0:3].

When the FSI pin is connected to GND, the watchdog circuit is disabled. The output states depends on IN[0:3] in case of VDD Failure condition, in case VDD failure detection is activated (VDD\_FAIL\_en bit sets to logic [1]).

**FUNCTIONAL INTERNAL BLOCK DESCRIPTION**



**Figure 9. Functional Block Diagram**

**POWER SUPPLY**

The 10XS3412B is designed to operate from 4.0 V to 28 V on the VPWR pin. Characteristics are provided from 6.0 V to 20 V for the device. The VPWR pin supplies power to internal regulator, analog, and logic circuit blocks. The VDD supply is used for Serial Peripheral Interface (SPI) communication in order to configure and diagnose the device. This IC architecture provides a low quiescent current sleep mode. Applying  $V_{PWR}$  and  $V_{DD}$  to the device will place the device in the Normal mode. The device will transit to Fail-safe mode in case of failures on the SPI or/and on VDD voltage.

**HIGH SIDE SWITCHES: HS0–HS3**

These pins are the high side outputs controlling automotive lamps located for the front of vehicle, such as 65 W/55 W bulbs and Xenon-HID modules. Those N-channel MOSFETs with 10 mΩ & 35 mΩ  $R_{DS(ON)}$  are self-protected and present extended diagnostics in order to detect bulb outage and short-circuit fault condition. The HS output is actively clamped during turn off of inductive loads and inductive battery line. When driving DC motor or Solenoid

loads demanding multiple switching, an external recirculation device must be used to maintain the device in its Safe Operating Area.

**MCU INTERFACE AND OUTPUT CONTROL**

In Normal mode, each bulb is controlled directly from the MCU through SPI. A pulse width modulation control module allows improvement of lamp lifetime with bulb power regulation (PWM frequency range from 100 to 400 Hz) and addressing the dimming application (day running light). An analog feedback output provides a current proportional to the load current or the temperature of the board. The SPI is used to configure and to read the diagnostic status (faults) of high side outputs. The reported fault conditions are: open-load, short-circuit to battery, short-circuit to ground (over-current and severe short-circuit), thermal shut-down, and under/over-voltage. Thanks to accurate and configurable over-current detection circuitry and wire-harness optimization, the vehicle is lighter.

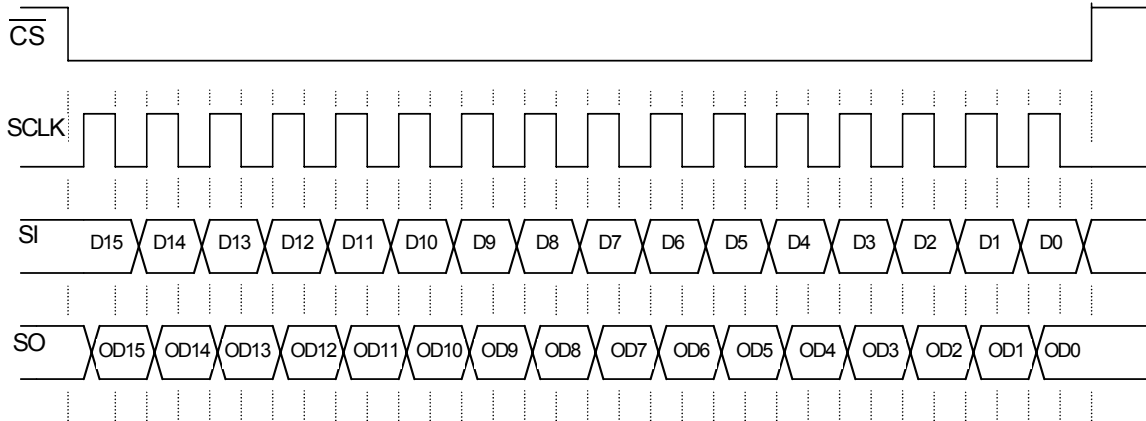
In Fail-safe mode, each lamp is controlled with dedicated parallel input pins. The device is configured in default mode.

## FUNCTIONAL DEVICE OPERATION

### SPI PROTOCOL DESCRIPTION

The SPI interface has a full duplex, three-wire synchronous data transfer with four I/O lines associated with it: Serial Input (SI), Serial Output (SO), Serial Clock (SCLK), and Chip Select ( $\overline{\text{CS}}$ ).

The SI/SO pins of the 10XS3435 follow a first-in first-out (D15 to D0) protocol, with both input and output words transferring the most significant bit (MSB) first. All inputs are compatible with 5.0 V or 3.3 V CMOS logic levels.



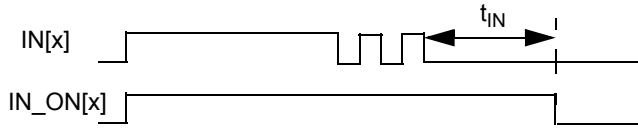
- Notes
1.  $\overline{\text{RST}}$  is a logic [1] state during the above operation.
  2. D15:D0 relate to the most recent ordered entry of data into the device.
  3. OD15:OD0 relate to the first 16 bits of ordered fault and status data out of the device.

**Figure 10. Single 16-Bit Word SPI Communication**

**OPERATIONAL MODES**

The 10XS3435 has four operating modes: Sleep, Normal, Fail-Safe and Fault. Table 6 and Figure 12 summarize details contained in succeeding paragraphs.

The Figure 11 describes an internal signal called IN\_ON[x] depending on IN[x] input.



**Figure 11. IN\_ON[x] internal signal**

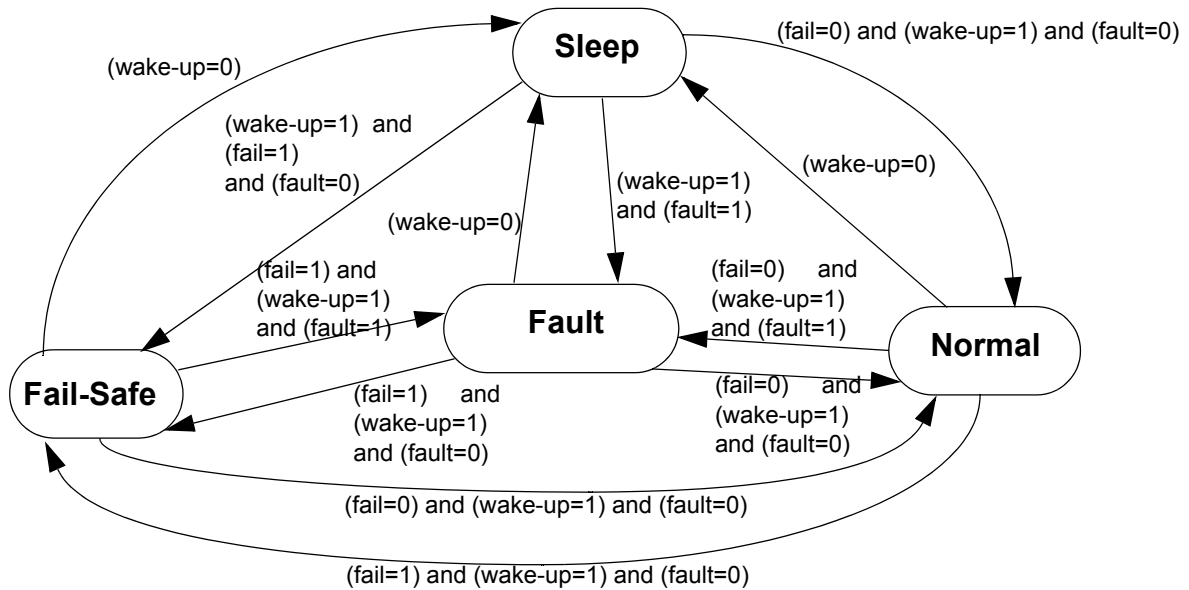
The 10XS3435 transits to operating modes according to the following signals:

- wake-up =  $\overline{\text{RST}}$  or WAKE or IN\_ON[0] or IN\_ON[1] or IN\_ON[2] or IN\_ON[3],
- fail = (V<sub>DD</sub> Failure and VDD\_FAIL\_en) or (Watchdog time-out and FSI input not shorted to ground),
- fault = OC[0:3] or OT[0:3] or SC[0:3] or UV or (OV and OV\_dis).

**Table 6. 10XS3435 Operating Modes**

| Mode      | wake-up | fail | fault | Comments  |
|-----------|---------|------|-------|---|
| Sleep     | 0       | x    | x     | Device is in Sleep mode. All outputs are OFF.   |
| Normal    | 1       | 0    | 0     | Device is currently in Normal mode. Watchdog is active if enabled.  |
| Fail-Safe | 1       | 1    | 0     | Device is currently in Fail-safe mode due to Watchdog time-out or V <sub>DD</sub> Failure conditions. The output states are defined with the RFS resistor connected to FSI. |
| Fault     | 1       | X    | 1     | Device is currently in fault mode. The faulted output(s) is (are) OFF. The safe autoretry circuitry is active to turn-on again the output(s).                               |

x = Don't care.



**Figure 12. Operating Modes**

## SLEEP MODE

The 10XS3435 is in Sleep mode when:

- $V_{PWR}$  and  $V_{DD}$  are within the normal voltage range,
- wake-up = 0,
- fail = X,
- fault = X.

This is the Default mode of the device after first applying battery voltage ( $V_{PWR}$ ) prior to any I/O transitions. This is also the state of the device when the WAKE and  $\overline{RST}$  and IN\_ON[0:3] are logic [0]. In the Sleep mode, the output and all unused internal circuitry, such as the internal regulator, are off to minimize draw current. In addition, all SPI-configurable features of the device are as if set to logic [0].

## NORMAL MODE

The 10XS3435 is in Normal mode when:

- $V_{PWR}$  and  $V_{DD}$  are within the normal voltage range,
- wake-up = 1,
- fail = 0,
- fault = 0.

In this mode, the NM bit is set to  $\overline{fault\_contrologic}$  [1] and the outputs HS[0:3] are under control, as defined by hson signal:

$hson[x] = ( (IN[x] \text{ and } \overline{DIR\_dis[x]}) \text{ or } \overline{On\ bit[x]}) \text{ and } \overline{PWM\_en}$   
or (On bit [x] and Duty\_cycle[x] and PWM\_en).

In this mode and also in Fail-safe, the fault condition reset depends on  $\overline{fault\_control}$  signal, as defined below:

$\overline{fault\_control}[x] = ( (IN\_ON[x] \text{ and } \overline{DIR\_dis[x]}) \text{ and } \overline{PWM\_en}$   
or (On bit [x]).

Programmable PWM module

The outputs HS[0:3] are controlled by the **programmable PWM module** if PWM\_en and On bits are set to logic [1].

The clock frequency from IN0 input pin or from internal clock is the factor  $2^7$  (128) of the output PWM frequency (CLOCK\_sel bit). The outputs HS[0:3] can be controlled in the range of 5% to 98% with a resolution of 7 bits of duty cycle (Table 7). The state of other IN pin is ignored.

**Table 7. Output PWM Resolution**

| On bit | Duty cycle | Output state               |
|--------|------------|----------------------------|
| 0      | X          | OFF                        |
| 1      | 0000000    | PWM (1/128 duty cycle)     |
| 1      | 0000001    | PWM (2/128 duty cycle)     |
| 1      | 0000010    | PWM (3/128 duty cycle)     |
| 1      | n          | PWM ((n+1)/128 duty cycle) |
| 1      | 1111111    | fully ON                   |

The timing includes seven programmable PWM switching delay (number of PWM clock rising edges) to improve overall EMC behavior of the light module (Table 8).

**Table 8. Output PWM Switching Delay**

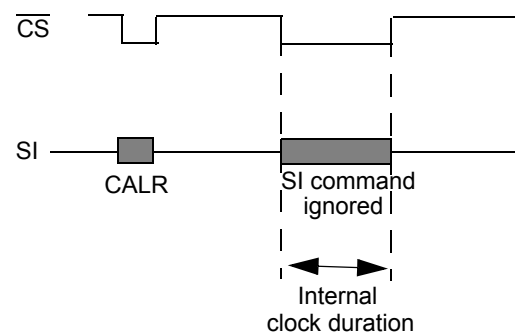
| Delay bits | Output delay          |
|------------|-----------------------|
| 000        | no delay              |
| 001        | 16 PWM clock periods  |
| 010        | 32 PWM clock periods  |
| 011        | 48 PWM clock periods  |
| 100        | 64 PWM clock periods  |
| 101        | 80 PWM clock periods  |
| 110        | 96 PWM clock periods  |
| 111        | 112 PWM clock periods |

The clock frequency from IN0 is permanently monitored in order to report a clock failure in case of the frequency is out a specified frequency range (from  $f_{IN0(LOW)}$  to  $f_{IN0(HIGH)}$ ). In case of clock failure, no PWM feature is provided, the On bit defines the outputs state and the CLOCK\_fail bit reports [1].

### Calibratable internal clock

The internal clock can vary as much as +/-30 percent corresponding to typical  $f_{PWM(0)}$  output switching period.

Using the existing SPI inputs and the precision timing reference already available to the MCU, the 10XS3435 allows clock period setting within +/-10 percent of accuracy. Calibrating the internal clock is initiated by defined word to CALR register. The calibration pulse is provided by the MCU. The pulse is sent on the  $\overline{CS}$  pin after the SPI word is launched. At the moment, the  $\overline{CS}$  pin transitions from logic [1] to [0] until from logic [0] to [1] determine the period of internal clock with a multiplicative factor of 128.



In case of negative  $\overline{CS}$  pulse is outside a predefined time range (from  $t_{CSB(MIN)}$  to  $t_{CSB(MAX)}$ ), the calibration event will be ignored and the internal clock will be unaltered or reset to default value ( $f_{PWM(0)}$ ) if this was not calibrated before.

The calibratable clock is used, instead of the clock from IN0 input, when CLOCK\_sel is set to [1].

### FAIL-SAFE MODE

The 10XS3435 is in Fail-safe mode when:

- $V_{PWR}$  is within the normal voltage range,
- wake-up = 1,
- fail = 1,
- fault = 0.

### Watchdog

If the FSI input is not grounded, the watchdog timeout detection is active when either the WAKE or IN\_ON[0:3] or  $\overline{RST}$  input pin transitions from logic [0] to logic [1]. The WAKE input is capable of being pulled up to VPWR with a series of limiting resistance limiting the internal clamp current according to the specification.

The watchdog timeout is a multiple of an internal oscillator. As long as the WD bit (D15) of an incoming SPI message is toggled within the minimum watchdog timeout period (WDTO), the device will operate normally.

### Fail-Safe conditions

If an internal watchdog time-out occurs before the WD bit for FSI open (Table 9) or in case of  $V_{DD}$  failure condition ( $V_{DD} < V_{DD(FAIL)}$ ) for VDD\_FAIL\_en bit is set to logic [1], the device will revert to a Fail-safe mode until the WD bit is written to logic [1] (see fail-safe to normal mode transition paragraph) and  $V_{DD}$  is within the normal voltage range.

**Table 9. SPI Watchdog Activation**

| Typical RFSI ( $\Omega$ ) | Watchdog |
|---------------------------|----------|
| 0 (shorted to ground)     | Disabled |
| (open)                    | Enable   |

During the Fail-safe mode, the outputs will depend on the corresponding input. The SPI register content is reset to their default value (except POR bit) and fault protections are fully operational.

The Fail-safe mode can be detected by monitoring the NM bit is set to [0].

## NORMAL & FAIL-SAFE MODE TRANSITIONS

### Transition Fail-safe to Normal mode

To leave the Fail-safe mode,  $V_{DD}$  must be in nominal voltage and the microcontroller has to send a SPI command with WDIN bit set to logic [1]; the other bits are not considered. The previous latched faults are reset by the transition into Normal mode (autoretry included).

Moreover, the device can be brought out of the Fail-safe mode due to watchdog timeout issue by forcing the FSI pin to logic [0].

### Transition Normal to Fail-Safe mode

To leave the Normal mode, a fail-safe condition must occurred (fail=1). The previous latched faults are reset by the transition into Fail-safe mode (autoretry included).

## FAULT MODE

The 10XS3435 is in Fault mode when:

- $V_{PWR}$  and  $V_{DD}$  are within the normal voltage range,
- wake-up = 1,
- fail = X,
- fault=1.

This device indicates the faults below as they occur by driving the  $\overline{FS}$  pin to logic [0] for  $\overline{RST}$  input is pulled up:

- Over-temperature fault,
- Over-current fault,
- Severe short-circuit fault,
- Output(s) shorted to VPWR fault in OFF state,
- Open-load fault in OFF state,
- Over-voltage fault (enabled by default),
- Under-voltage fault.

The  $\overline{FS}$  pin will automatically return to logic [1] when the fault condition is removed, except for over-current, severe short-circuit, over-temperature and under-voltage which will be reset by a new turn-on command (each fault\_control signal to be toggled).

Fault information is retained in the SPI fault register and is available (and reset) via the SO pin during the first valid SPI communication.

The Open load fault in ON state is only reported through SPI register without effect on the corresponding output state (HS[x]) and the  $\overline{FS}$  pin.

## START-UP SEQUENCE

The 10XS3435 enters in Normal mode after start-up if following sequence is provided:

- VPWR and VDD power supplies must be above their under-voltage thresholds,
- generate wake-up event (wake-up=1) from 0 to 1 on RSTB. The device switches to normal mode with SPI register content is reset (as defined in [Table 11](#) and [Table 23](#)). All features of the 10XS3435 will be available after 50  $\mu$ s typical, and all SPI registers are set to default values (set to logic [0]).
- toggle WD bit from 0 to 1.

And, in case of the PWM module is used (PWM\_en bit is set to logic [1]) with an external reference clock:

- apply PWM clock on IN0 input pin after maximum 200  $\mu$ s (min. 50  $\mu$ s).

If the correct start-up sequence is not provided, the PWM function is not guaranteed.

## PROTECTION AND DIAGNOSTIC FEATURES

### PROTECTIONS

#### Over-temperature Fault

The 10XS3435 incorporates over-temperature detection and shutdown circuitry for each output structure.

Two cases need to be considered when the output temperature is higher than  $T_{SD}$ :

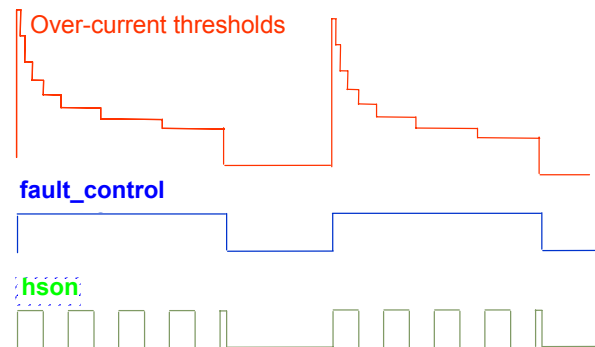
- If the output command is ON: the corresponding output is latched OFF.  $\overline{FS}$  will be also latched to logic [0]. To delatch the fault and be able to turn ON again the outputs, the failure condition must disappear and the autoretry circuitry must be active or the corresponding output must be commanded OFF and then ON (toggling fault\_control signal of corresponding output) or  $V_{SUPPLY(POR)}$  condition if  $V_{DD} = 0$ .
- If the output command is OFF:  $\overline{FS}$  will go to logic [0] till the corresponding output temperature will be below  $T_{SD}$ .

For both cases, the fault register OT[0:3] bit into the status register will be set to [1]. The fault bits will be cleared in the status register after a SPI read command.

#### Over-current Fault

The 10XS3435 incorporates output shutdown in order to protect each output structure against resistive short-circuit condition. This protection is composed by eight predefined current levels (time dependent) to fit Xenon-HID manners by default or, 55 W or 28 W bulb profiles, selectable separately by Xenon bit and 28 W bits (as illustrated [Figure 14](#), page [37](#)).

In the first turn-on, the lamp filament is cold and the current will be huge. fault\_control signal transition from logic [0] to [1] or an autoretry define this event. In this case, the over-current protection will be fitted to inrush current, as shown in [Figure 5](#). This over-current protection is programmable: OC[1:0] bits select over-current slope speed and OCHI1 current step can be removed in case of OCHI bit is set to [1].



In steady state, the wire harness will be protected by OCLO2 current level by default. Three other DC over-current levels are available: OCLO1 or OCLO3 or OCLO4 based on the state of the OCLO[1,0] bits.

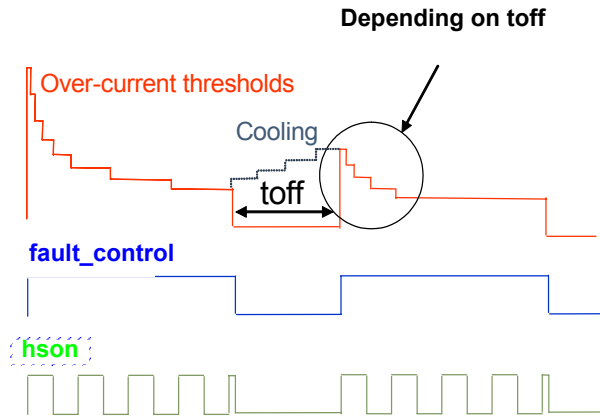
If the load current level ever reaches the over-current detection level, the corresponding output will latch the output OFF and  $\overline{FS}$  will be also latched to logic [0]. To delatch the fault and be able to turn ON again the corresponding output, the failure condition must disappear and the autoretry



circuitry must be active or the corresponding output must be commanded OFF and then ON (toggling fault\_control signal of corresponding output) or  $V_{SUPPLY(POR)}$  condition if  $V_{DD} = 0$ .

The SPI fault report (OC[0:3] bits) is removed after a read operation.

In Normal mode using internal PWM module, the 10XS3435 incorporates also a cooling bulb filament management if OC\_mode and Xenon are set to logic [1]. In this case, the 1<sup>st</sup> step of multi-step over-current protection will depend to the previous OFF duration, as illustrated in Figure 6. The following figure illustrates the current level will be used in function to the duration of previous OFF state (toff). The slope of cooling bulb emulator is configurable with OCOFFCB[1:0] bits.



### Severe Short-Circuit Fault

The 10XS3435 provides output shutdown in order to protect each output in case of severe short-circuit during of the output switching.

If the short-circuit impedance is below  $R_{SHORT}$ , the device will latch the output OFF,  $\overline{FS}$  will go to logic [0] and the fault register SC[0:3] bit will be set to [1]. To delatch the fault and be able to turn ON again the outputs, the failure condition must disappear and the corresponding output must be commanded OFF and then ON (toggling fault\_control signal of corresponding output) or  $V_{SUPPLY(POR)}$  condition if  $V_{DD} = 0$ .

The SPI fault report (SC[0:3] bits) is removed after a read operation.

### Over-voltage Fault (Enabled by default)

By default, the over-voltage protection is enabled. The 10XS3435 shuts down all outputs and  $\overline{FS}$  will go to logic [0] during an over-voltage fault condition on the VPWR pin ( $V_{PWR} \geq V_{PWR(OV)}$ ). The outputs remain in the OFF state until the over-voltage condition is removed ( $V_{PWR} \leq V_{PWR(OV)} - V_{PWR(OVHYS)}$ ). When experiencing this fault, the OVF fault bit is set to logic [1] and cleared after either a valid SPI read.

The over-voltage protection can be disabled through SPI (OV\_dis bit is disabled set to logic [1]). The fault register reflects any over-voltage condition ( $V_{PWR} \geq V_{PWR(OV)}$ ). This over-voltage diagnosis, as a warning, is removed after a read operation, if the fault condition disappears. The HS[0:3] outputs are not commanded in  $R_{DS(ON)}$  above the OV threshold.

### Under-voltage Fault

The output(s) will latch off at some battery voltage below  $V_{PWR(UV)}$ . As long as the  $V_{DD}$  level stays within the normal specified range, the internal logic states within the device will remain (configuration and reporting).

In the case where battery voltage drops below the under-voltage threshold ( $V_{PWR} \leq V_{PWR(UV)}$ ), the outputs will turn off,  $\overline{FS}$  will go to logic [0], and the fault register UV bit will be set to [1].

Two cases need to be considered when the battery level recovers ( $V_{PWR} > V_{PWR(UV\_UP)}$ ):

- If outputs command are low,  $\overline{FS}$  will go to logic [1] but the UV bit will remain set to 1 until the next read operation (warning report).
- If the output command is ON,  $\overline{FS}$  will remain at logic [0]. To delatch the fault and be able to turn ON again the outputs, the failure condition must disappear and the autoretry circuitry must be active or the corresponding output must be commanded OFF and then ON (toggling fault\_control signal of corresponding output) or  $V_{SUPPLY(POR)}$  condition if  $V_{DD} = 0$ .

In **extended mode**, the output is protected by over-temperature shutdown circuitry. All previous latched faults, occurred when VPWR was within the normal voltage range, are guaranteed if VDD is within the operational voltage range or until  $V_{SUPPLY(POR)}$  if  $V_{DD} = 0$ . Any new OT fault is detected (VDD failure included) and reported through SPI above  $V_{PWR(UV)}$ . The output state is not changed as long as the VPWR voltage does not drop any lower than 3.5 V typical.

All latched faults (over-temperature, over-current, severe short-circuit, over and under-voltage) are reset if:

- $V_{DD} \leq V_{DD(FAIL)}$  with  $V_{PWR}$  in nominal voltage range,
- $V_{DD}$  and  $V_{PWR}$  supplies is below  $V_{SUPPLY(POR)}$  voltage value.



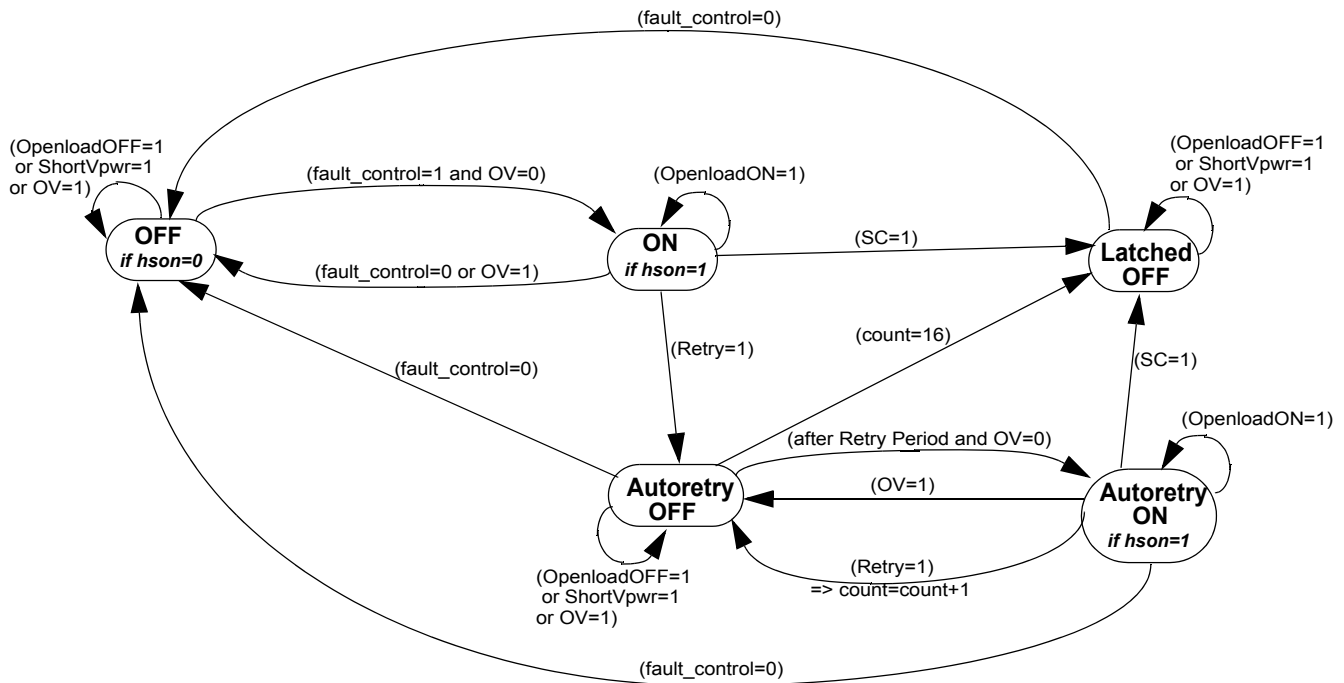


Figure 13. Auto-retry State Machine

## AUTO-RETRY

The auto-retry circuitry is used to reactivate the output(s) automatically in case of over-current or over-temperature or under-voltage failure conditions to provide a high availability of the load.

Auto-retry feature is available in Fault mode. It is activated in case of internal retry signal is set to logic [1]:

retry[x] = OC[x] or OT[x] or UV.

The feature retries to switch-on the output(s) after one auto-retry period ( $t_{\text{AUTO}}$ ) with a limitation in term of number of occurrence (16 for each output). The counter of retry occurrences is reset in case of Fail-safe to Normal or Normal to Fail-safe mode transitions. At each auto-retry, the over-current detection will be set to default values in order to sustain the inrush current.

The [Figure 13](#) describes the auto-retry state machine.

## DIAGNOSTIC

### Output Shorted to VPWR Fault

The 10XS3435 incorporates output shorted to VPWR detection circuitry in OFF state. Output shorted to VPWR fault is detected if output voltage is higher than  $V_{\text{OSD(THRES)}}$  and reported as a fault condition when the output is disabled (OFF). The output shorted to VPWR fault is latched into the

status register after the internal gate voltage is pulled low enough to turn OFF the output. The OS[0:3] and OL\_OFF[0:3] fault bits are set in the status register and  $\overline{\text{FS}}$  pin reports in real time the fault. If the output shorted to VPWR fault is removed, the status register will be cleared after reading the register.

The open output shorted to VPWR protection can be disabled through SPI (OS\_DIS[0:3] bit).

### Open-Load Faults

The 10XS3435 incorporates three dedicated open-load detection circuitries on the output to detect in OFF and in ON state.

#### Open-load Detection In Off State

The OFF output open-load fault is detected when the output voltage is higher than  $V_{\text{OLD(THRES)}}$  pulled up with internal current source ( $I_{\text{OLD(OFF)}}$ ) and reported as a fault condition when the output is disabled (OFF). The OFF Output open-load fault is latched into the status register or when the internal gate voltage is pulled low enough to turn OFF the output. The OL\_OFF[0:3] fault bit is set in the status register. If the open load fault is removed ( $\overline{\text{FS}}$  output pin goes to high), the status register will be cleared after reading the register.

The OFF output open-load protection can be disabled through SPI (OLOFF\_DIS[0:3] bit).

### Open-load Detection In On State

The ON output open-load current thresholds can be chosen by SPI to detect a standard bulbs or LEDs (OLLED[0:3] bit set to logic [1]). In the case where load current drops below the defined current threshold OLON bit is set to logic [1], the output stays ON and FS is not disturbed.

### Open-load Detection In On State For Led

Open load for LEDs only (OLLED[0:3] set to logic [1]) is detected periodically each  $t_{OLLED}$  (fully-on, D[6:0]=7F). To detect OLLED in fully-on state, the output must be ON at least  $t_{OLLED}$ .

To delatch the diagnosis, the condition should be removed and SPI read operation is needed (OL\_ON[0:3] bit). The ON output open-load protection can be disabled through SPI (OLON\_DIS[0:3] bit).

### Analog Current Recopy and Temperature Feedbacks

The CSNS pin is an analog output reporting a current proportional to the designed output current or a voltage proportional to the temperature of the GND flag (pin #14). The routing is SPI programmable (TEMP\_en, CSNS\_en, CSNS\_s[1,0] and CSNS\_ratio\_s bits).

In case the current recopy is active, the CSNS output delivers current only during ON time of the output switch without overshoot. The maximum current is 2.0 mA typical. The typical value of external CSNS resistor connected to the ground is 2.5 k $\Omega$ .

The current recopy is not active in Fail-safe mode.

### Temperature Prewarning Detection

In Normal mode, the 10XS3435 provides a temperature prewarning reported via SPI in case of the temperature of the GND flag is higher than  $T_{OTWAR}$ . This diagnosis (OTW bit set to [1]) is latched in the SPI DIAGR0 register. To delatch, a read SPI command is needed.

### ACTIVE CLAMP ON VPWR

The device provides an active gate clamp circuit in order to limit the maximum transient VPWR voltage at  $VPWR_{(CLAMP)}$ . In case of overload on an output the corresponding output is turned off which leads to high voltage at VPWR with an inductive VPWR line. When VPWR voltage exceeds  $VPWR_{(CLAMP)}$  threshold, the turn-off on the corresponding output is deactivated and all HS[0:3] outputs are switched ON automatically to demagnetize the inductive Battery line.

For a long battery line between the battery and the device (> 20 meters), the smart high side switch output may exceed the energy capability in case of a short-circuit. It is recommended to implement a voltage transient suppressor to drain the battery line energy.

### REVERSE BATTERY ON VPWR

The output survives the application of reverse voltage as low as -18 V. Under these conditions, the ON resistance of the output is 2 times higher than typical ohmic value in forward mode. No additional passive components are required except on VDD current path.

### GROUND DISCONNECT PROTECTION

In the event the 10XS3435 ground is disconnected from load ground, the device protects itself and safely turns OFF the output regardless of the state of the output at the time of disconnection (maximum  $V_{PWR} = 16$  V). A 10 k $\Omega$  resistor needs to be added between the MCU and each digital input pin in order to ensure that the device turns off in case of ground disconnect and to prevent this pin from exceeding maximum ratings.

### LOSS OF SUPPLY LINES

#### Loss of VDD

If the external VDD supply is disconnected (or not within specification:  $VDD < VDD_{(FAIL)}$ ) with VDD\_FAIL\_en bit is set to logic [1], all SPI register content is reset.

The outputs can still be driven by the direct inputs IN[0:3] if  $V_{PWR}$  is within specified voltage range. The 10XS3435 uses the battery input to power the output MOSFET-related current sense circuitry and any other internal logic providing Fail-safe device operation with no  $V_{DD}$  supplied. In this state, the over-temperature, over-current, severe short-circuit, short to VPWR and OFF open-load circuitry are fully operational with default values corresponding to all SPI bits are set to logic [0]. No current is conducted from  $V_{PWR}$  to  $V_{DD}$ .

#### Loss of VPWR

If the external VPWR supply is disconnected (or not within specification), the SPI configuration, reporting, and daisy chain features are provided for RST to set to logic [1] under  $V_{DD}$  in nominal conditions. This fault condition can be diagnosed with UV fault in SPI STATR\_s registers. The SPI pull-up and pull-down current sources are not operational. The previous device configuration is maintained. No current is conducted from VDD to VPWR.

#### Loss of VPWR and VDD

If the external VPWR and VDD supplies are disconnected (or not within specification: ( $VDD$  and  $VPWR$ ) <  $V_{SUPPLY(POR)}$ ), all SPI register contents are reset with default values corresponding to all SPI bits are set to logic [0] and all latched faults are also reset.

## EMC PERFORMANCES

All following tests are performed on Freescale evaluation board in accordance with the typical application schematic.

The device is protected in case of positive and negative transients on the VPWR line (per ISO 7637-2).

The 10XS3435 successfully meets the Class 5 of the CISPR25 emission standard and 200 V/m or BCI 200 mA injection level for immunity tests.

## LOGIC COMMANDS AND REGISTERS

### SERIAL INPUT COMMUNICATION

SPI communication is accomplished using 16-bit messages. A message is transmitted by the MCU starting with the MSB D15 and ending with the LSB, D0 (Table 10). Each incoming command message on the SI pin can be interpreted using the following bit assignments: the MSB, D15, is the watchdog bit (WDIN). In some cases, output selection is done with bits D14:D13. The next three bits, D12:D10, are used to select the command register. The

remaining nine bits, D8:D0, are used to configure and control the outputs and their protection features.

Multiple messages can be transmitted in succession to accommodate those applications where daisy-chaining is desirable, or to confirm transmitted data, as long as the messages are all multiples of 16 bits. Any attempt made to latch in a message that is not 16 bits will be ignored.

The 10XS3435 has defined registers, which are used to configure the device and to control the state of the outputs. Table 11 summarizes the SI registers.

Table 10. SI Message Bit Assignment

| Bit Sig | SI Msg Bit | Message Bit Description  |
|---------|------------|--|
| MSB     | D15        | Watchdog in: toggled to satisfy watchdog requirements.   |
|         | D14:D13    | Register address bits used in some cases for output selection (Table 12).                        |
|         | D12:D10    | Register address bits.   |
|         | D9         | Not used (set to logic [0]).   |
| LSB     | D8:D0      | Used to configure the inputs, outputs, and the device protection features and SO status content. |

Table 11. Serial Input Address and Configuration Bit Map

| SI Register   | SI Data |                |                |     |     |     |    |             |        |                   |             |          |            |             |            |              |
|---|---------|----------------|----------------|-----|-----|-----|----|-------------|--------|-------------------|-------------|----------|------------|-------------|------------|--------------|
|   | D15     | D14            | D13            | D12 | D11 | D10 | D9 | D8          | D7     | D6                | D5          | D4       | D3         | D2          | D1         | D0           |
| STATR_s   | WDIN    | X              | X              | 0   | 0   | 0   | 0  | 0           | 0      | 0                 | 0           | SOA4     | SOA3       | SOA2        | SOA1       | SOA0         |
| PWMR_s  | WDIN    | A <sub>1</sub> | A <sub>0</sub> | 0   | 0   | 1   | 0  | 28W_s       | ON_s   | PWM6_s            | PWM5_s      | PWM4_s   | PWM3_s     | PWM2_s      | PWM1_s     | PWM0_s       |
| CONFR0_s  | WDIN    | A <sub>1</sub> | A <sub>0</sub> | 0   | 1   | 0   | 0  | 0           | 0      | 0                 | DIR_dis_s   | SR1_s    | SR0_s      | DELAY2_s    | DELAY1_s   | DELAY0_s     |
| CONFR1_s  | WDIN    | A <sub>1</sub> | A <sub>0</sub> | 0   | 1   | 1   | 0  | 0           | 0      | Retry_unlimited_s | Retry_dis_s | OS_dis_s | OLON_dis_s | OLOFF_dis_s | OLLED_en_s | CSNS_ratio_s |
| OCR_s   | WDIN    | A <sub>1</sub> | A <sub>0</sub> | 1   | 0   | 0   | 0  | Xenon_s     | BC1_s  | BC0_s             | OC1_s       | OC0_s    | OCHI_s     | OLCO1_s     | OLCO0_s    | OC_mode_s    |
| GCR   | WDIN    | 0              | 0              | 1   | 0   | 1   | 0  | VDD_FAIL_en | PWM_en | CLOCK_sel         | TEMP_en     | CSNS_en  | CSNS1      | CSNS0       | X          | OV_dis       |
| CALR  | WDIN    | 0              | 0              | 1   | 1   | 1   | 0  | 1           | 0      | 1                 | 0           | 1        | 1          | 0           | 1          | 1            |
| Register state after RST=0 or V <sub>DD</sub> (FAIL) or V <sub>SUPPLY</sub> (POR) condition | 0       | 0              | 0              | X   | X   | X   | 0  | 0           | 0      | 0                 | 0           | 0        | 0          | 0           | 0          | 0            |

x=Don't care.

s=Output selection with the bits A<sub>1</sub>A<sub>0</sub> as defined in Table 12.

### DEVICE REGISTER ADDRESSING

The following section describes the possible register addresses (D[14:10]) and their impact on device operation.

## ADDRESS XX000—STATUS REGISTER (STATR\_S)

The STATR register is used to read the device status and the various configuration register contents without disrupting the device operation or the register contents. The register bits D[4:0] determine the content of the first sixteen bits of SO data. In addition to the device status, this feature provides the ability to read the content of the PWMR\_s, CONFR0\_s, CONFR1\_s, OCR\_s, GCR and CALR registers (Refer to the section entitled [Serial Output Communication \(Device Status Return Data\)](#) on page 38.

## ADDRESS A<sub>1</sub>A<sub>0</sub>001—OUTPUT PWM CONTROL REGISTER (PWMR\_S)

The PWMR\_s register allows the MCU to control the state of corresponding output through the SPI. Each output “s” is independently selected for configuration based on the state of the D14:D13 bits ([Table 12](#)).

**Table 12. Output Selection**

| A <sub>1</sub> (D14) | A <sub>0</sub> (D13) | HS Selection  |
|----------------------|----------------------|---------------|
| 0                    | 0                    | HS0 (default) |
| 0                    | 1                    | HS1           |
| 1                    | 0                    | HS2           |
| 1                    | 1                    | HS3           |

A logic [1] on bit D8 (28 W\_s) selects the 28 W over-current protection profile: the over-current thresholds are divided by 2 and, the inrush and cooling responses are dedicated to 28 W lamps for HS[0,1] outputs. This bit is not taken into account for HS[2,3] outputs.

Bit D7 sets the output state. A logic [1] enables the corresponding output switch and a logic [0] turns it OFF (if IN input is also pulled down). Bits D6:D0 set the output PWM duty-cycle to one of 128 levels for PWM\_en is set to logic [1], as shown [Table 7](#), page 29.

## ADDRESS A<sub>1</sub>A<sub>0</sub>010—OUTPUT CONFIGURATION REGISTER (CONFR0\_S)

The CONFR0\_s register allows the MCU to configure corresponding output switching through the SPI. Each output “s” is independently selected for configuration based on the state of the D14:D13 bits ([Table 12](#)).

For the selected output, a logic [0] on bit D5 (DIR\_DIS\_s) will enable the output for direct control. A logic [1] on bit D5 will disable the output from direct control (in this case, the output is only controlled by On bit).

D4:D3 bits (SR1\_s and SR0\_s) are used to select the high or medium or low speed slew rate for the selected output, the

default value [00] corresponds to the medium speed slew rate ([Table 13](#)).

**Table 13. Slew Rate Speed Selection**

| SR1_s (D4) | SR0_s (D3) | Slew Rate Speed  |
|------------|------------|------------------|
| 0          | 0          | medium (default) |
| 0          | 1          | low              |
| 1          | 0          | high             |
| 1          | 1          | Not used         |

Incoming message bits D2:D0 reflect the desired output that will be delayed of predefined PWM clock rising edges number, as shown [Table 8](#), page 29 (only available for PWM\_en bit is set to logic [1]).

## ADDRESS A<sub>1</sub>A<sub>0</sub>011—OUTPUT CONFIGURATION REGISTER (CONFR1\_S)

The CONFR1\_s register allows the MCU to configure corresponding output fault management through the SPI. Each output “s” is independently selected for configuration based on the state of the D14:D13 bits ([Table 12](#)).

A logic [1] on bit D6 (RETRY\_unlimited\_s) disables the autoretry counter for the selected output, the default value [1] corresponds to enable auto-retry feature without time limitation.

A logic [1] on bit D5 (RETRY\_dis\_s) disables the auto-retry for the selected output, the default value [0] corresponds to enable this feature.

A logic [1] on bit D4 (OS\_dis\_s) disables the output hard shorted to VPWR protection for the selected output, the default value [0] corresponds to enable this feature.

A logic [1] on bit D3 (OLON\_dis\_s) disables the ON output open-load detection for the selected output, the default value [0] corresponds to enable this feature ([Table 14](#)).

A logic [1] on bit D2 (OLOFF\_dis\_s) disables the OFF output open-load detection for the selected output, the default value [0] corresponds to enable this feature.

A logic [1] on bit D1 (OLLED\_en\_s) enables the ON output open-load detection for LEDs for the selected output, the default value [0] corresponds to ON output open-load detection is set for bulbs ([Table 14](#)).

**Table 14. ON Open-load Selection**

| OLON_dis_s (D3) | OLLED_en_s (D1) | ON OpenLoad detection                |
|-----------------|-----------------|--------------------------------------|
| 0               | 0               | enable with bulb threshold (default) |
| 0               | 1               | enable with LED threshold            |
| 1               | X               | disable                              |

A logic [1] on bit D0 (CSNS\_ratio\_s) selects the high ratio on the CSNS pin for the corresponding output. The default value [0] is the low ratio (Table 15).

**Table 15. Current Sense Ratio Selection**

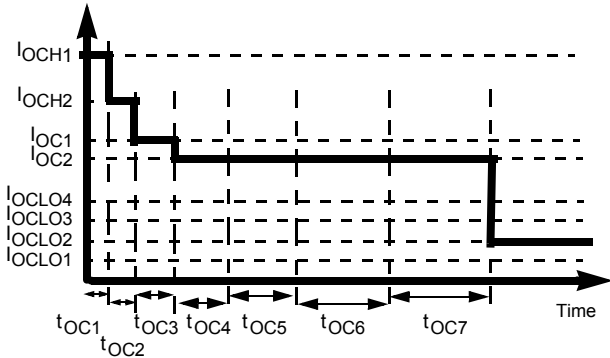
| CSNS_high_s (D0) | Current Sense Ratio |
|------------------|---------------------|
| 0                | CRS0 (default)      |
| 1                | CRS1                |

**ADDRESS A<sub>1</sub>A<sub>0</sub>100—OUTPUT OVER-CURRENT REGISTER (OCR)**

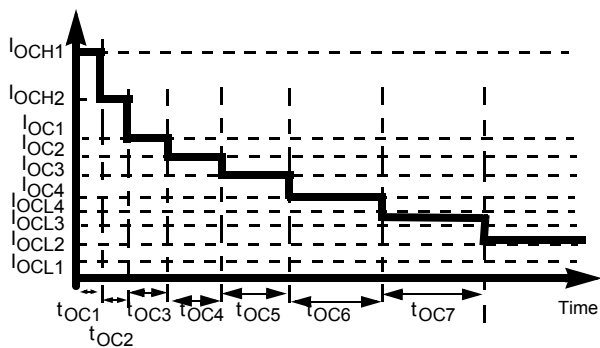
The OCR\_s register allows the MCU to configure corresponding output over-current protection through the SPI. Each output “s” is independently selected for configuration based on the state of the D14:D13 bits (Table 12).

A logic [1] on bit D8 ( $\overline{\text{Xenon}}_s$ ) disables enables the Xenon 55 W or 28 W bulb over-current profile, as described Figure 14.

$\overline{\text{Xenon}}$  bit set to logic [0]:



$\overline{\text{Xenon}}$  bit set to logic [1]:



**Figure 14. Over-current Profile Depending on Xenon Bit**

D[7:6] bits allow to MCU to programmable bulb cooling curve and D[5:4] bits inrush curve for selected output, as shown Table 16 and Table 17.

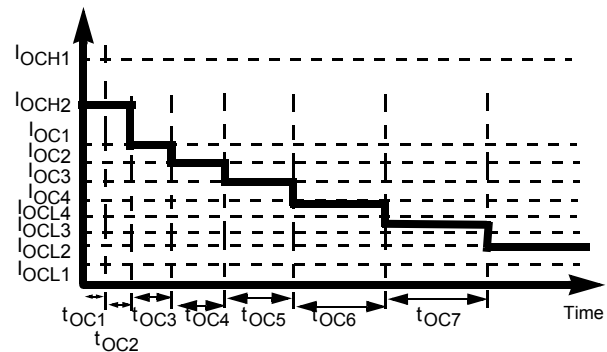
**Table 16. Cooling Curve Selection**

| BC1_s (D7) | BC0_s (D6) | Profile Curves Speed |
|------------|------------|----------------------|
| 0          | 0          | medium (default)     |
| 0          | 1          | slow                 |
| 1          | 0          | fast                 |
| 1          | 1          | medium               |

**Table 17. Inrush Curve Selection**

| OC1_s (D5) | OC0_s (D4) | Profile Curves Speed |
|------------|------------|----------------------|
| 0          | 0          | slow (default)       |
| 0          | 1          | fast                 |
| 1          | 0          | medium               |
| 1          | 1          | very slow            |

A logic [1] on bit D3 (OCHI\_s bit) the OCHI1 level is replaced by OCHI2 during t<sub>OC1</sub>, as shown Figure 15.



**Figure 15. Over-current Profile with OCHI Bit Set to ‘1’**

The wire harness is protected by one of four possible current levels in steady state, as defined in Table 18.

**Table 18. Output Steady State Selection**

| OCLO1 (D2) | OCLO0 (D1) | Steady State Current |
|------------|------------|----------------------|
| 0          | 0          | OCLO2 (default)      |
| 0          | 1          | OCLO3                |
| 1          | 0          | OCLO4                |
| 1          | 1          | OCLO1                |

Bit D0 (OC\_mode\_sel) allows to select the over-current mode, as described [Table 19](#).

**Table 19. Over-current Mode Selection**

| OC_mode_s (D0) | Over-current Mode                          |
|----------------|--|
| 0              | only inrush current management (default)   |
| 1              | inrush current and bulb cooling management |

**ADDRESS 00101—GLOBAL CONFIGURATION REGISTER (GCR)**

The GCR register allows the MCU to configure the device through the SPI.

Bit D8 allows the MCU to enable or disable the VDD failure detector. A logic [1] on VDD\_FAIL\_en bit allows switch of the outputs HS[0:3] with PWMR register device in Fail-safe mode in case of  $V_{DD} < V_{DD(FAIL)}$ .

Bit D7 allows the MCU to enable or disable the PWM module. A logic [1] on PWM\_en bit allows control of the outputs HS[0:3] with PWMR register (the direct input states are ignored).

Bit D6 (CLOCK\_sel) allows to select the clock used as reference by PWM module, as described in the following [Table 20](#).

**Table 20. PWM Module Selection**

| PWM_en (D7) | CLOCK_sel (D6) | PWM module  |
|-------------|----------------|---|
| 0           | X              | PWM module disabled (default)                     |
| 1           | 0              | PWM module enabled with external clock from IN0   |
| 1           | 1              | PWM module enabled with internal calibrated clock |

Bits D5:D4 allow the MCU to select one of two analog feedback on CSNS output pin, as shown in [Table 21](#).

**Table 21. CSNS Reporting Selection**

| TEMP_en (D5) | CSNS_en (D4) | CSNS reporting                                 |
|--------------|--------------|--|
| 0            | 0            | CSNS tri-stated (default)                      |
| X            | 1            | current recopy of selected output (D3:2) bits) |
| 1            | 0            | temperature on GND flag                        |

**Table 22. Output Current Recopy Selection**

| CSNS1 (D3) | CSNS0 (D2) | CSNS reporting |
|------------|------------|----------------|
| 0          | 0          | HS0 (default)  |
| 0          | 1          | HS1            |
| 1          | 0          | HS2            |
| 1          | 1          | HS3            |

The GCR register disables the over-voltage protection (D0). When this bits is [0], the over-voltage is enabled (default value).

**ADDRESS 00111—CALIBRATION REGISTER (CALR)**

The CALR register allows the MCU to calibrate internal clock, as explained in [Figure 13](#).

**SERIAL OUTPUT COMMUNICATION (DEVICE STATUS RETURN DATA)**

When the  $\overline{CS}$  pin is pulled low, the output register is loaded. Meanwhile, the data is clocked out MSB- (OD15-) first as the new message data is clocked into the SI pin. The first sixteen bits of data clocking out of the SO, and following a  $\overline{CS}$  transition, is dependent upon the previously written SPI word.

Any bits clocked out of the Serial Output (SO) pin after the first 16 bits will be representative of the initial message bits clocked into the SI pin since the  $\overline{CS}$  pin first transitioned to a logic [0]. This feature is useful for daisy-chaining devices as well as message verification.

A valid message length is determined following a  $\overline{CS}$  transition of [0] to [1]. If there is a valid message length, the data is latched into the appropriate registers. A valid message length is a multiple of 16 bits. At this time, the SO pin is tri-stated and the fault status register is now able to accept new fault status information.

SO data will represent information ranging from fault status to register contents, user selected by writing to the STATR bits OD4, OD3, OD2, OD1, and OD0. The value of the previous bits SOA4 and SOA3 will determine which output the SO information applies to for the registers which are output specific; viz., Fault, PWMR, CONFR0, CONFR1 and OCR registers.

Note that the SO data will continue to reflect the information for each output (depending on the previous SOA4, SOA3 state) that was selected during the most recent STATR write until changed with an updated STATR write.

The output status register correctly reflects the status of the STATR-selected register data at the time that the  $\overline{CS}$  is pulled to a logic [0] during SPI communication, and/or for the period of time since the last valid SPI communication, with the following exception:



- The previous SPI communication was determined to be invalid. In this case, the status will be reported as though the invalid SPI communication never occurred.
- The VPWR voltage is below 4.0 V, the status must be ignored by the MCU.

### SERIAL OUTPUT BIT ASSIGNMENT

The 16 bits of serial output data depend on the previous serial input message, as explained in the following

paragraphs. [Table 23](#), summarizes SO returned data for bits OD15:OD0.

- Bit OD15 is the MSB; it reflects the state of the Watchdog bit from the previously clocked-in message.
- Bits OD14:OD10 reflect the state of the bits SOA4:SOA0 from the previously clocked in message.
- Bit OD9 is set to logic [1] in Normal mode (NM).
- The contents of bits OD8:OD0 depend on bits D4:D0 from the most recent STATR command SOA4:SOA0 as explained in the paragraphs following [Table 23](#).

**Table 23. Serial Output Bit Map Description**

|   | Previous STATR |                |       |       |       | SO Returned Data |       |       |       |       |       |     |             |        |                   |             |          |            |             |            |              |
|---|----------------|----------------|-------|-------|-------|------------------|-------|-------|-------|-------|-------|-----|-------------|--------|-------------------|-------------|----------|------------|-------------|------------|--------------|
|   | SO A4          | SO A3          | SO A2 | SO A1 | SO A0 | OD 15            | OD 14 | OD 13 | OD 12 | OD 11 | OD 10 | OD9 | OD8         | OD7    | OD6               | OD5         | OD4      | OD3        | OD2         | OD1        | OD0          |
| STATR_s   | A <sub>1</sub> | A <sub>0</sub> | 0     | 0     | 0     | WDIN             | SOA4  | SOA3  | SOA2  | SOA1  | SOA0  | NM  | POR         | UV     | OV                | OLON_s      | OLOFF_s  | OS_s       | OT_s        | SC_s       | OC_s         |
| PWMR_s  | A <sub>1</sub> | A <sub>0</sub> | 0     | 0     | 1     | WDIN             | SOA4  | SOA3  | SOA2  | SOA1  | SOA0  | NM  | 28W_s       | ON_s   | PWM6_s            | PWM5_s      | PWM4_s   | PWM3_s     | PWM2_s      | PWM1_s     | PWM0_s       |
| CONFR0_s  | A <sub>1</sub> | A <sub>0</sub> | 0     | 1     | 0     | WDIN             | SOA4  | SOA3  | SOA2  | SOA1  | SOA0  | NM  | X           | X      | X                 | DIR_dis_s   | SR1_s    | SR0_s      | DELAY2_s    | DELAY1_s   | DELAY0_s     |
| CONFR1_s  | A <sub>1</sub> | A <sub>0</sub> | 0     | 1     | 1     | WDIN             | SOA4  | SOA3  | SOA2  | SOA1  | SOA0  | NM  | X           | X      | Retry_unlimited_s | Retry_dis_s | OS_dis_s | OLON_dis_s | OLOFF_dis_s | OLLED_en_s | CSNS_ratio_s |
| OCR_s   | A <sub>1</sub> | A <sub>0</sub> | 1     | 0     | 0     | WDIN             | SOA4  | SOA3  | SOA2  | SOA1  | SOA0  | NM  | Xenon_s     | BC1_s  | BC0_s             | OC1_s       | OC0_s    | OCHI_s     | OCL01_s     | OCL00_s    | OC_mode_s    |
| GCR   | 0              | 0              | 1     | 0     | 1     | WDIN             | SOA4  | SOA3  | SOA2  | SOA1  | SOA0  | NM  | VDD_FAIL_en | PWM_en | CLOCK_sel         | TEMP_e_n    | CSNS_e_n | CSNS1      | CSNS0       | X          | OV_dis       |
| DIAGR0  | 0              | 0              | 1     | 1     | 1     | WDIN             | SOA4  | SOA3  | SOA2  | SOA1  | SOA0  | NM  | X           | X      | X                 | X           | X        | X          | CLOCK_fail  | CAL_fail   | OTW          |
| DIAGR1  | 0              | 1              | 1     | 1     | 1     | WDIN             | SOA4  | SOA3  | SOA2  | SOA1  | SOA0  | NM  | X           | X      | X                 | X           | IN3      | IN2        | IN1         | IN0        | WD_en        |
| DIAGR2  | 1              | 0              | 1     | 1     | 1     | WDIN             | SOA4  | SOA3  | SOA2  | SOA1  | SOA0  | NM  | X           | X      | X                 | X           | X        | X          | 0           | 1          | 1            |
| Register state after RST=0 or V <sub>DD</sub> (FAIL) or V <sub>SUPPLY</sub> (POR) condition | N/A            | N/A            | N/A   | N/A   | N/A   | 0                | 0     | 0     | 0     | 0     | 0     | 0   | X           | 0      | 0                 | 0           | 0        | 0          | 0           | 0          | 0            |

s=Output selection with the bits A<sub>1</sub>A<sub>0</sub> as defined in [Table 12](#)

### PREVIOUS ADDRESS SOA4:SOA0=A<sub>1</sub>A<sub>0</sub>000 (STATR\_S)

The returned data OD8 reports logic [1] in case of previous Power ON Reset condition (V<sub>SUPPLY</sub>(POR)). This bit is only reset by a read operation.

Bits OD7:OD0 reflect the current state of the Fault register (FLTR) corresponding to the output previously selected with the bits SOA4:SOA3 = A<sub>1</sub>A<sub>0</sub> ([Table 23](#)).

- OC\_s: over-current fault detection for a selected output,
- SC\_s: severe short-circuit fault detection for a selected output,

- OS\_s: output shorted to VPWR fault detection for a selected output,
- OLOFF\_s: open-load in OFF state fault detection for a selected output,
- OLON\_s: openload in ON state fault detection (depending on current level threshold: bulb or LED) for a selected output,
- OV: over-voltage fault detection,
- UV: under-voltage fault detection
- POR: power on reset detection.

The  $\overline{FS}$  pin reports all faults. For latched faults, this pin is reset by a new Switch OFF command (toggling fault\_control signal).

**PREVIOUS ADDRESS SOA4:SOA0=A<sub>1</sub>A<sub>0</sub>001 (PWMR\_S)**

The returned data contains the programmed values in the PWMR register for the output selected with A<sub>1</sub>A<sub>0</sub>.

**PREVIOUS ADDRESS SOA4:SOA0=A<sub>1</sub>A<sub>0</sub>010 (CONFR0\_S)**

The returned data contains the programmed values in the CONFR0 register for the output selected with A<sub>1</sub>A<sub>0</sub>.

**PREVIOUS ADDRESS SOA4:SOA0=A<sub>1</sub>A<sub>0</sub>011 (CONFR1\_S)**

The returned data contains the programmed values in the CONFR1 register for the output selected with A<sub>1</sub>A<sub>0</sub>.

**PREVIOUS ADDRESS SOA4:SOA0=A<sub>1</sub>A<sub>0</sub>100 (OCR\_S)**

The returned data contains the programmed values in the OCR register for the output selected with A<sub>1</sub>A<sub>0</sub>.

**PREVIOUS ADDRESS SOA4:SOA0=00101 (GCR)**

The returned data contains the programmed values in the GCR register.

**PREVIOUS ADDRESS SOA4:SOA0=00111 (DIAGR0)**

The returned data OD2 reports logic [1] in case of PWM clock on IN0 pin is out of specified frequency range.

The returned data OD1 reports logic [1] in case of calibration failure.

The returned data OD0 reports logic [1] in case of over-temperature prewarning (temperature of GND flag is above T<sub>OTWAR</sub>).

**PREVIOUS ADDRESS SOA4:SOA0=01111 (DIAGR1)**

The returned data OD4: OD1 report in real time the state of the direct input IN[3:0].

The OD0 indicates if the watchdog is enabled (set to logic [1]) or not (set to logic [0]). OD4:OD1 report the output state in case of Fail-safe state due to watchdog time-out as explained in the following [Table 24](#).

**Table 24. Watchdog Activation Report**

| WD_en (OD0) | SPI Watchdog |
|-------------|--------------|
| 0           | disabled     |
| 1           | enabled      |

**PREVIOUS ADDRESS SOA4:SOA0=10111 (DIAGR2)**

The returned data is the product ID. Bits OD2:OD0 are set to 011 for Protected Dual 10 mΩ and 35 mΩ high side Switches.

**DEFAULT DEVICE CONFIGURATION**

The default device configuration is explained below:

- HS output is commanded by corresponding IN input or On bit through SPI. The medium slew-rate is used,
- HS output is fully protected by the Xenon over-current profile by default, the severe short-circuit protection, the under-voltage and the over-temperature protection. The auto-retry feature is enabled,
- Open-load in ON and OFF state and HS shorted to VPWR detections are available,
- No current recopy and no analog temperature feedback active,
- Over-voltage protection is enabled,
- SO reporting fault status from HS0,
- VDD failure detection is disabled.

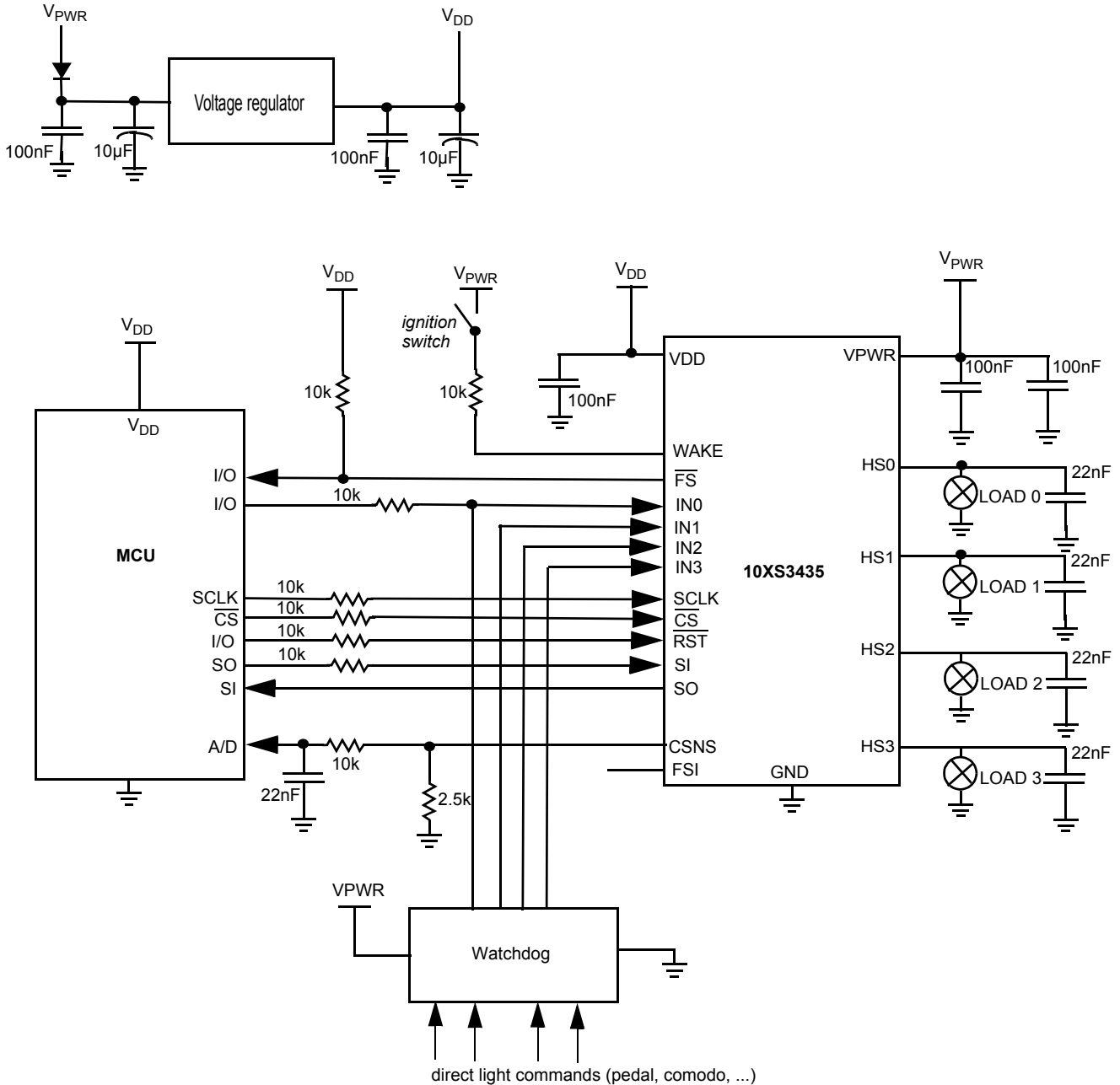


**TYPICAL APPLICATION**

The following figure shows a typical automotive lighting application (only one vehicle corner) using an external PWM clock from the main MCU. A redundancy circuitry has been

implemented to substitute light control (from MCU to watchdog) in case of a Fail-safe condition.

It is recommended to locate a 22 nF decoupling capacitor to the module connector.



## PACKAGING

### SOLDERING INFORMATION

The 10XS3435 is packaged in a surface mount power package intended to be soldered directly on the printed circuit board.

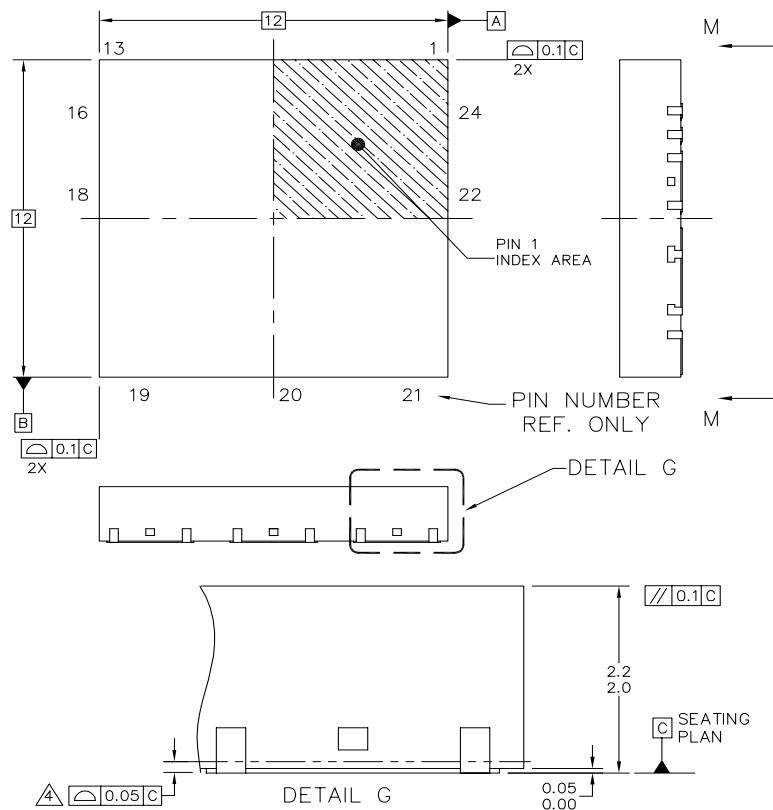
The CPNA code was qualified in accordance with JEDEC standards J-STD-020C Sn-Pb reflow profile. The maximum peak temperature during the soldering process should not exceed 245 for 10 seconds maximum duration.

The DPNA code was qualified in accordance with JEDEC standards J-STD-020C Pb-free reflow profile. The maximum peak temperature during the soldering process should not exceed 260 for 40 seconds maximum duration.

The AN2469 provides guidelines for Printed Circuit Board design and assembly.

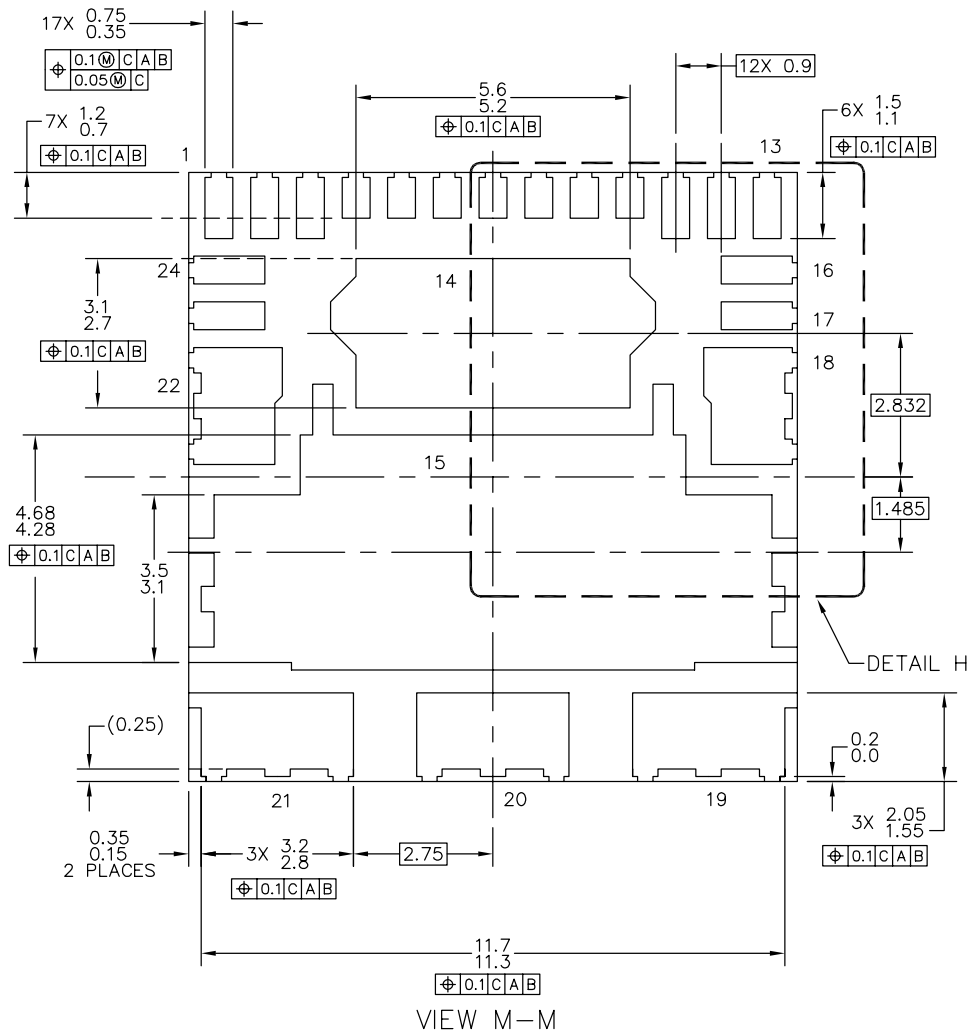
### PACKAGE DIMENSIONS

For the most current package revision, visit [www.freescale.com](http://www.freescale.com) and perform a keyword search using the 98ARL10596D listed below.



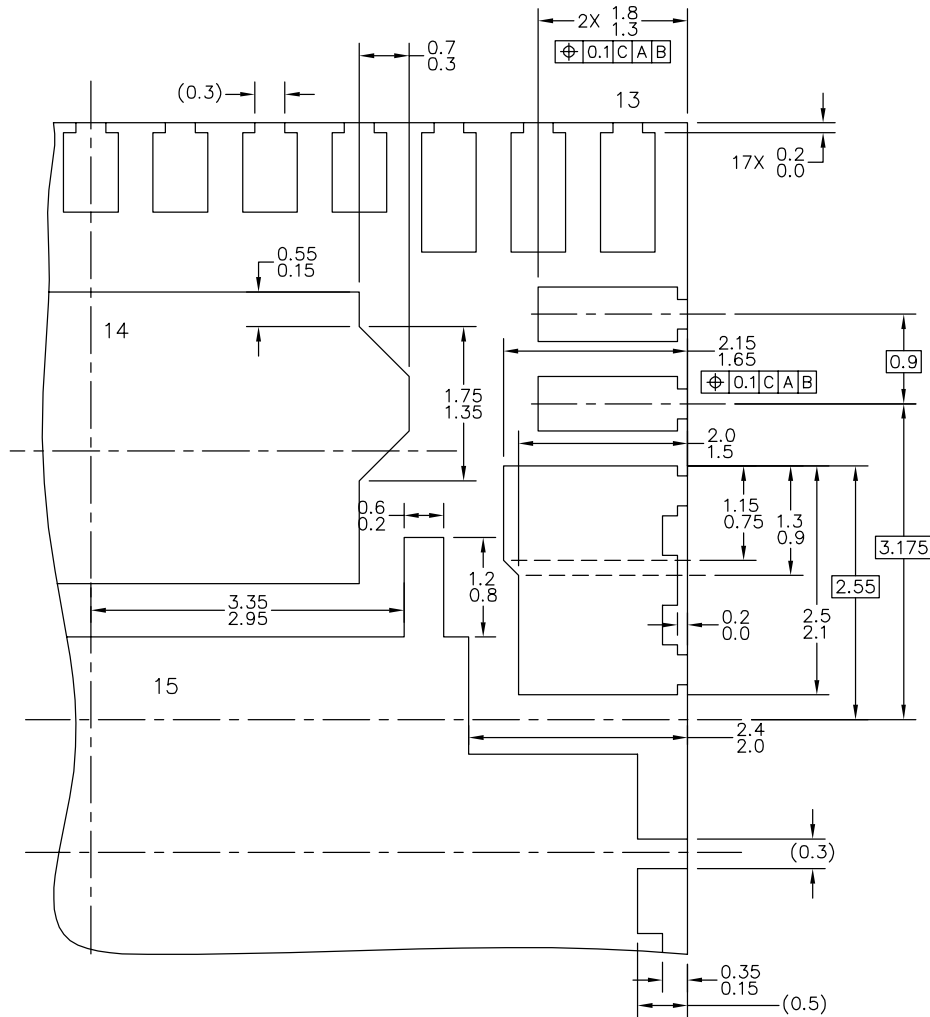
| © FREESCALE SEMICONDUCTOR, INC.<br>ALL RIGHTS RESERVED.                                     | MECHANICAL OUTLINE       | PRINT VERSION NOT TO SCALE |  |
|---|--------------------------|----------------------------|--|
| TITLE: POWER QUAD FLAT<br>NON-LEADED PACKAGE (PWR QFN)<br>24 TERMINAL, 0.9 PITCH(12X12X2.1) | DOCUMENT NO: 98ARL10596D | REV: D                     |  |
|   | CASE NUMBER: 1593-04     | 14 FEB 2008                |  |
|   | STANDARD: NON-JEDEC      |                            |  |

**PNA SUFFIX**  
24-PIN PQFN  
NONLEADED PACKAGE  
98ARL10596D  
REV. D



|   |                           |                            |  |
|---|---------------------------|----------------------------|--|
| © FREESCALE SEMICONDUCTOR, INC.<br>ALL RIGHTS RESERVED.                                     | <b>MECHANICAL OUTLINE</b> | PRINT VERSION NOT TO SCALE |  |
| TITLE: POWER QUAD FLAT<br>NON-LEADED PACKAGE (PWR QFN)<br>24 TERMINAL, 0.9 PITCH(12X12X2.1) | DOCUMENT NO: 98ARL10596D  | REV: D                     |  |
|   | CASE NUMBER: 1593-04      | 14 FEB 2008                |  |
|   | STANDARD: NON-JEDEC       |                            |  |

**PNA SUFFIX**  
24-PIN PQFN  
NONLEADED PACKAGE  
98ARL10596D  
REV. D

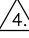


DETAIL H

|   |                           |                            |  |
|---|---------------------------|----------------------------|--|
| © FREESCALE SEMICONDUCTOR, INC.<br>ALL RIGHTS RESERVED.                                     | <b>MECHANICAL OUTLINE</b> | PRINT VERSION NOT TO SCALE |  |
| TITLE: POWER QUAD FLAT<br>NON-LEADED PACKAGE (PWR QFN)<br>24 TERMINAL, 0.9 PITCH(12X12X2.1) | DOCUMENT NO: 98ARL10596D  | REV: D                     |  |
|   | CASE NUMBER: 1593-04      | 14 FEB 2008                |  |
|   | STANDARD: NON-JEDEC       |                            |  |

**PNA SUFFIX**  
24-PIN PQFN  
NONLEADED PACKAGE  
98ARL10596D  
REV. D

NOTES:

1. ALL DIMENSIONS ARE IN MILLIMETERS.
2. DIMENSIONING AND TOLERANCING PER ASME Y14.5M-1994.
3. THE COMPLETE JEDEC DESIGNATOR FOR THIS PACKAGE IS: HF-PQFP-N.
4.  COPLANARITY APPLIES TO LEADS AND CORNER LEADS.
5. MINIMUM METAL GAP IS GUARANTEED TO BE 0.25MM.

|   |                           |                            |  |
|---|---------------------------|----------------------------|--|
| © FREESCALE SEMICONDUCTOR, INC.<br>ALL RIGHTS RESERVED.                                     | <b>MECHANICAL OUTLINE</b> | PRINT VERSION NOT TO SCALE |  |
| TITLE: POWER QUAD FLAT<br>NON-LEADED PACKAGE (PWR QFN)<br>24 TERMINAL, 0.9 PITCH(12X12X2.1) | DOCUMENT NO: 98ARL10596D  | REV: D                     |  |
|   | CASE NUMBER: 1593-04      | 14 FEB 2008                |  |
|   | STANDARD: NON-JEDEC       |                            |  |

**PNA SUFFIX**  
24-PIN PQFN  
NONLEADED PACKAGE  
98ARL10596D  
REV. D

## ADDITIONAL DOCUMENTATION

### THERMAL ADDENDUM (REV 1.0)

#### Introduction

This thermal addendum is provided as a supplement to the 10XS3435 technical data sheet. The addendum provides thermal performance information that may be critical in the design and development of system applications. All electrical, application and packaging information is provided in the data sheet.

#### Package and Thermal Considerations

This 10XS3435 is a dual die package. There are two heat sources in the package independently heating with  $P_1$  and  $P_2$ . This results in two junction temperatures,  $T_{J1}$  and  $T_{J2}$ , and a thermal resistance matrix with  $R_{\theta JA mn}$ .

For  $m, n = 1$ ,  $R_{\theta JA11}$  is the thermal resistance from Junction 1 to the reference temperature while only heat source 1 is heating with  $P_1$ .

For  $m = 1, n = 2$ ,  $R_{\theta JA12}$  is the thermal resistance from Junction 1 to the reference temperature while heat source 2 is heating with  $P_2$ . This applies to  $R_{\theta J21}$  and  $R_{\theta J22}$ , respectively.

$$\begin{Bmatrix} T_{J1} \\ T_{J2} \end{Bmatrix} = \begin{bmatrix} R_{\theta JA11} & R_{\theta JA12} \\ R_{\theta JA21} & R_{\theta JA22} \end{bmatrix} \cdot \begin{Bmatrix} P_1 \\ P_2 \end{Bmatrix}$$

The stated values are solely for a thermal performance comparison of one package to another in a standardized environment. This methodology is not meant to and will not predict the performance of a package in an application-specific environment. Stated values were obtained by measurement and simulation according to the standards listed below.

#### Standards

**Table 25. Thermal Performance Comparison**

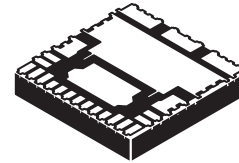
| Thermal Resistance        | 1 = Power Chip, 2 = Logic Chip [°C/W] |                                  |                |
|---------------------------|---------------------------------------|----------------------------------|----------------|
|                           | $m = 1, n = 1$                        | $m = 1, n = 2$<br>$m = 2, n = 1$ | $m = 2, n = 2$ |
| $R_{\theta JA mn}$ (1)(2) | 27.13                                 | 18.31                            | 35.53          |
| $R_{\theta JB mn}$ (2)(3) | 14.31                                 | 6.54                             | 23.61          |
| $R_{\theta JA mn}$ (1)(4) | 47.77                                 | 36.90                            | 54.35          |
| $R_{\theta JC mn}$ (5)    | 1.38                                  | 0.00                             | 0.91           |

#### Notes:

- Per JEDEC JESD51-2 at natural convection, still air condition.
- 2s2p thermal test board per JEDEC JESD51-7 and JESD51-5.
- Per JEDEC JESD51-8, with the board temperature on the center trace near the power outputs.
- Single layer thermal test board per JEDEC JESD51-3 and JESD51-5.
- Thermal resistance between the die junction and the exposed pad, "infinite" heat sink attached to exposed pad.

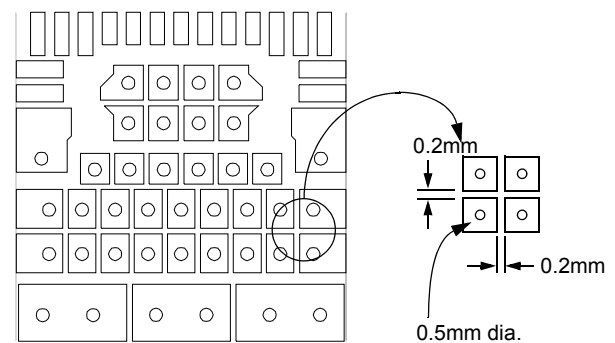
**10XS3435PNA**

**24-PIN  
PQFN**



**PNA SUFFIX  
98ARL10596D  
24-PIN PQFN (12 x 12)**

Note For package dimensions, refer to the 10XS3435 data sheet.



**Figure 16. Detail of Copper Traces Under Device with Thermal Vias**

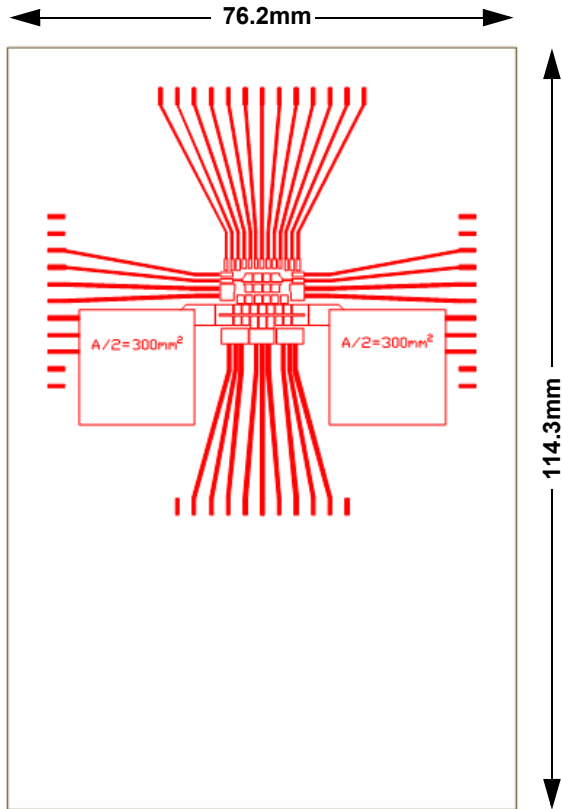


Figure 17. 1s JEDEC Thermal Test Board Layout

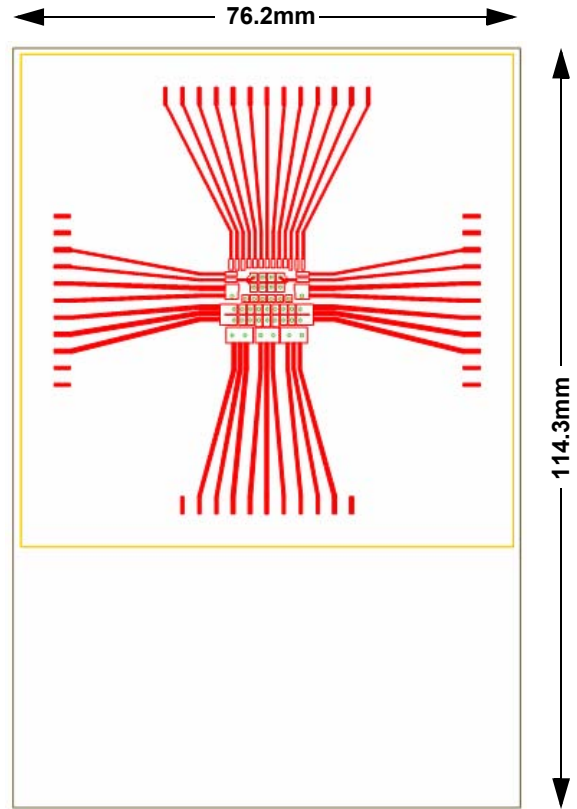


Figure 18. 2s2p JEDEC Thermal Test Board  
(Red - Top Layer, Yellow - Two Buried Layers)

Transparent Top View

MC10XS3435 Pin Connections  
24-PIN PQFN (12 x 12)  
0.9 mm Pitch  
12.0mm 12.0mm Body

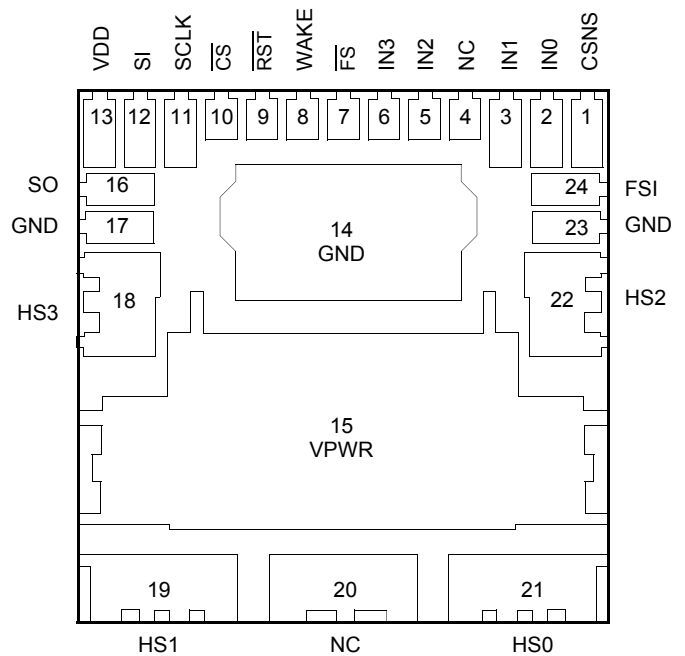


Figure 19. Pin Connections

**Device on Thermal Test Board**

Material: Single layer printed circuit board  
 FR4, 1.6 mm thickness  
 Cu traces, 0.07 mm thickness  
 Cu buried traces thickness 0.035mm

Outline: 76.2 mm x 114.3 mm board area,  
 including edge connector for thermal  
 testing, 74 mm x 74 mm buried  
 layers area

Area A: Cu heat-spreading areas on board  
 surface

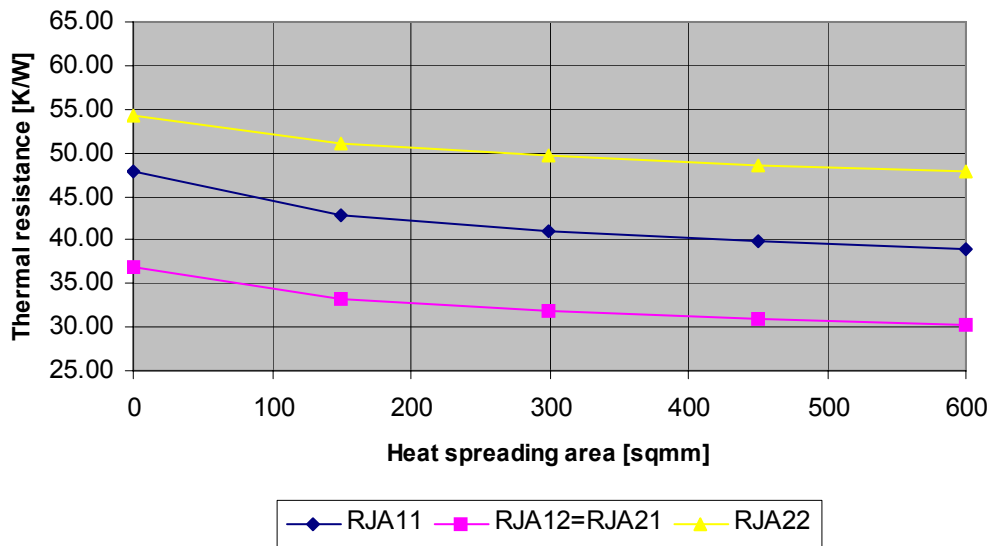
Ambient Conditions: Natural convection, still air

**Table 26. Thermal Resistance Performance**

| Thermal Resistance             | Area A (mm <sup>2</sup> ) | 1 = Power Chip, 2 = Logic Chip (°C/W) |                              |              |
|--------------------------------|---------------------------|---------------------------------------|------------------------------|--------------|
|                                |                           | m = 1, n = 1                          | m = 1, n = 2<br>m = 2, n = 1 | m = 2, n = 2 |
| R <sub>θJA</sub> <sub>mn</sub> | 0                         | 47.77                                 | 36.90                        | 54.35        |
|                                | 150                       | 42.90                                 | 33.21                        | 51.07        |
|                                | 300                       | 40.95                                 | 31.78                        | 49.63        |
|                                | 450                       | 39.85                                 | 30.89                        | 48.61        |
|                                | 600                       | 38.96                                 | 30.21                        | 47.90        |

R<sub>θJA</sub> is the thermal resistance between die junction and ambient air.

This device is a dual die package. Index *m* indicates the die that is heated. Index *n* refers to the number of the die where the junction temperature is sensed.



**Figure 20. Steady State Thermal Resistance in Dependence on Heat Spreading Area; 1s JEDEC Thermal Test Board with Spreading Areas**



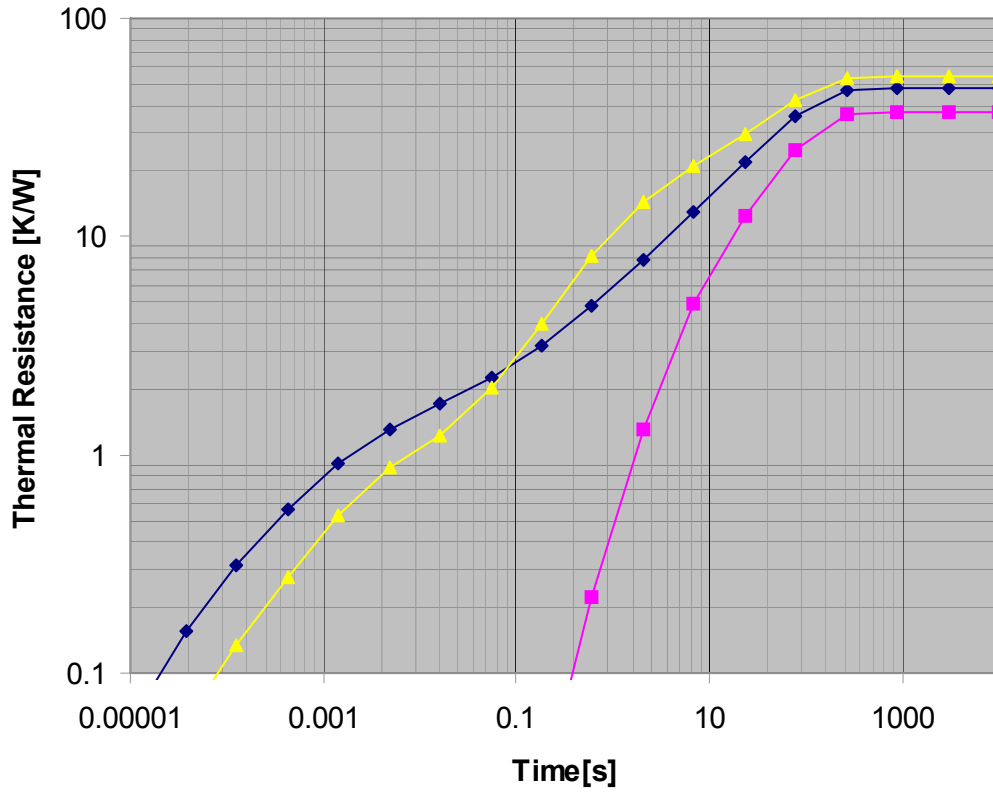


Figure 21. Transient Thermal 1W Step Response; Device on 1s JEDEC Standard Thermal Test Board with Heat Spreading Areas 600 Sq. mm

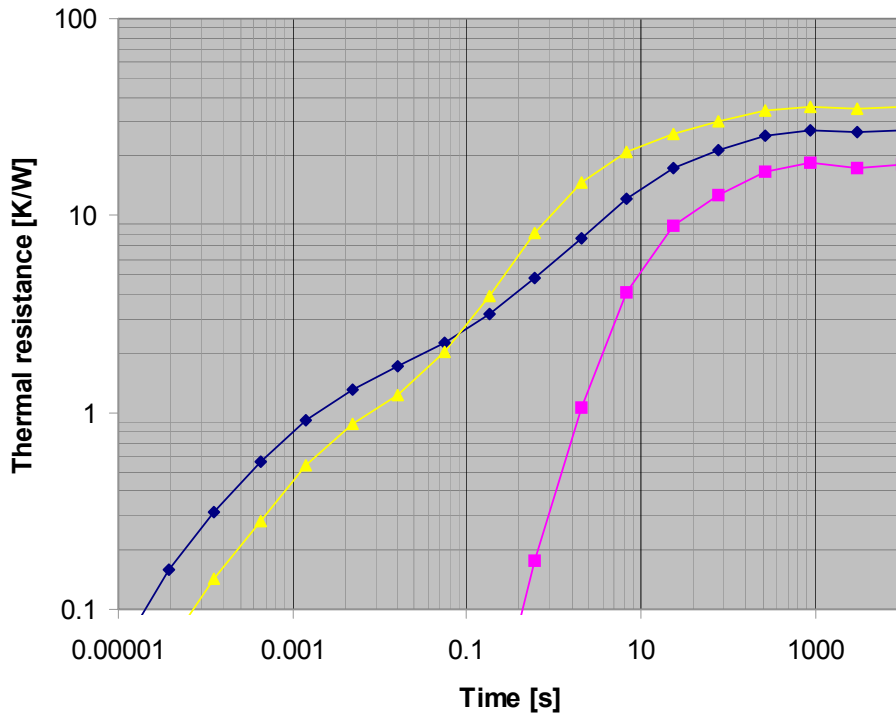


Figure 22. Transient Thermal 1W Step Response; Device on 2s2p JEDEC Standard Thermal Test Board

## REVISION HISTORY

| REVISION | DATE    | DESCRIPTION OF CHANGES   |
|----------|---------|--|
| 4.0      | 9/2008  | <ul style="list-style-type: none"> <li>Initial release</li> </ul>  |
| 5.0      | 10/2008 | <ul style="list-style-type: none"> <li>Revised wording of <i>VPWR Supply Voltage Range</i> in Maximum Rating Table on page 5.</li> <li>Changed parameters for <i>VPWR and VDD Power on Reset Threshold</i> in Static Electrical Characteristics Table on page 7.</li> <li>Changed Maximum rating for <i>Output Source-to-Drain ON Resistance</i> in Static Electrical Characteristics Table on page 8.</li> <li>Changed Typical rating for <i>HS[0,1] Current Sense Ratio (6.0 V &lt; HS[0:3] &lt; 20V, CSNS &lt; 5.0V)</i> in Static Electrical Characteristics Table on page 9.</li> <li>Further defined <i>Output Over-Temperature Shutdown</i> parameter in Static Electrical Characteristics Table on page 10.</li> <li>Changed Typical parameter for <i>HS[2,3] Current Sense Ratio (6.0V &lt; HS[0:3] &lt; 20V, CSNS &lt; 5.0V)</i> in Static Electrical Characteristics Table on page 11.</li> <li>Changed parameters for <i>Wake Input Clamp Voltage</i> in Static Electrical Characteristics Table on page 12.</li> <li>Added explanation for recovering to Normal Mode on page 28.</li> <li>Added HS[2:3] Driver Output Matching Time (<math>t_{DLY(ON)}</math> - <math>t_{DLY(OFF)}</math>)</li> </ul> |
| 6.0      | 12/2008 | <ul style="list-style-type: none"> <li>Changed Orderable Part Number from PC10XS3435BPNA to MC10XS3435BPNA on Page 1.</li> </ul>   |
| 7.0      | 7/2009  | <ul style="list-style-type: none"> <li>Added MC10XS3435DPNA part number. The "D" version has different soldering limits.</li> </ul>  |
| 8.0      | 10/2009 | <ul style="list-style-type: none"> <li>Corrected minor formatting</li> <li>Separated definitions for the 10XS3435B and 10XS3435D in the Static and Dynamic Tables</li> </ul>   |

## **How to Reach Us:**

### **Home Page:**

[www.freescale.com](http://www.freescale.com)

### **Web Support:**

<http://www.freescale.com/support>

### **USA/Europe or Locations Not Listed:**

Freescale Semiconductor, Inc.  
Technical Information Center, EL516  
2100 East Elliot Road  
Tempe, Arizona 85284  
1-800-521-6274 or +1-480-768-2130  
[www.freescale.com/support](http://www.freescale.com/support)

### **Europe, Middle East, and Africa:**

Freescale Halbleiter Deutschland GmbH  
Technical Information Center  
Schatzbogen 7  
81829 Muenchen, Germany  
+44 1296 380 456 (English)  
+46 8 52200080 (English)  
+49 89 92103 559 (German)  
+33 1 69 35 48 48 (French)  
[www.freescale.com/support](http://www.freescale.com/support)

### **Japan:**

Freescale Semiconductor Japan Ltd.  
Headquarters  
ARCO Tower 15F  
1-8-1, Shimo-Meguro, Meguro-ku,  
Tokyo 153-0064  
Japan  
0120 191014 or +81 3 5437 9125  
[support.japan@freescale.com](mailto:support.japan@freescale.com)

### **Asia/Pacific:**

Freescale Semiconductor China Ltd.  
Exchange Building 23F  
No. 118 Jianguo Road  
Chaoyang District  
Beijing 100022  
China  
+86 10 5879 8000  
[support.asia@freescale.com](mailto:support.asia@freescale.com)

### **For Literature Requests Only:**

Freescale Semiconductor Literature Distribution Center  
P.O. Box 5405  
Denver, Colorado 80217  
1-800-441-2447 or +1-303-675-2140  
Fax: +1-303-675-2150  
[LDCForFreescaleSemiconductor@hibbertgroup.com](mailto:LDCForFreescaleSemiconductor@hibbertgroup.com)

Information in this document is provided solely to enable system and software implementers to use Freescale Semiconductor products. There are no express or implied copyright licenses granted hereunder to design or fabricate any integrated circuits or integrated circuits based on the information in this document.

Freescale Semiconductor reserves the right to make changes without further notice to any products herein. Freescale Semiconductor makes no warranty, representation or guarantee regarding the suitability of its products for any particular purpose, nor does Freescale Semiconductor assume any liability arising out of the application or use of any product or circuit, and specifically disclaims any and all liability, including without limitation consequential or incidental damages. "Typical" parameters that may be provided in Freescale Semiconductor data sheets and/or specifications can and do vary in different applications and actual performance may vary over time. All operating parameters, including "Typicals", must be validated for each customer application by customer's technical experts. Freescale Semiconductor does not convey any license under its patent rights nor the rights of others. Freescale Semiconductor products are not designed, intended, or authorized for use as components in systems intended for surgical implant into the body, or other applications intended to support or sustain life, or for any other application in which the failure of the Freescale Semiconductor product could create a situation where personal injury or death may occur. Should Buyer purchase or use Freescale Semiconductor products for any such unintended or unauthorized application, Buyer shall indemnify and hold Freescale Semiconductor and its officers, employees, subsidiaries, affiliates, and distributors harmless against all claims, costs, damages, and expenses, and reasonable attorney fees arising out of, directly or indirectly, any claim of personal injury or death associated with such unintended or unauthorized use, even if such claim alleges that Freescale Semiconductor was negligent regarding the design or manufacture of the part.



Freescale™ and the Freescale logo are trademarks of Freescale Semiconductor, Inc. All other product or service names are the property of their respective owners.

© Freescale Semiconductor, Inc. 2009. All rights reserved.

10XS3435  
Rev. 8.0  
10/2009