



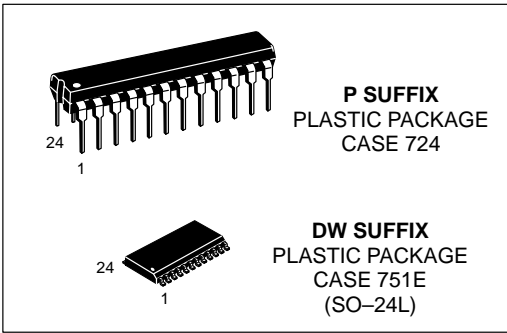
FM Communications Receivers

MC13135 MC13136

The MC13135/MC13136 are the second generation of single chip, dual conversion FM communications receivers developed by Motorola. Major improvements in signal handling, RSSI and first oscillator operation have been made. In addition, recovered audio distortion and audio drive have improved. Using Motorola's MOSAIC™ 1.5 process, these receivers offer low noise, high gain and stability over a wide operating voltage range.

DUAL CONVERSION NARROWBAND FM RECEIVERS

Both the MC13135 and MC13136 include a Colpitts oscillator, VCO tuning diode, low noise first and second mixer and LO, high gain limiting IF, and RSSI. The MC13135 is designed for use with an LC quadrature detector and has an uncommitted op amp that can be used either for an RSSI buffer or as a data comparator. The MC13136 can be used with either a ceramic discriminator or an LC quad coil and the op amp is internally connected for a voltage buffered RSSI output.

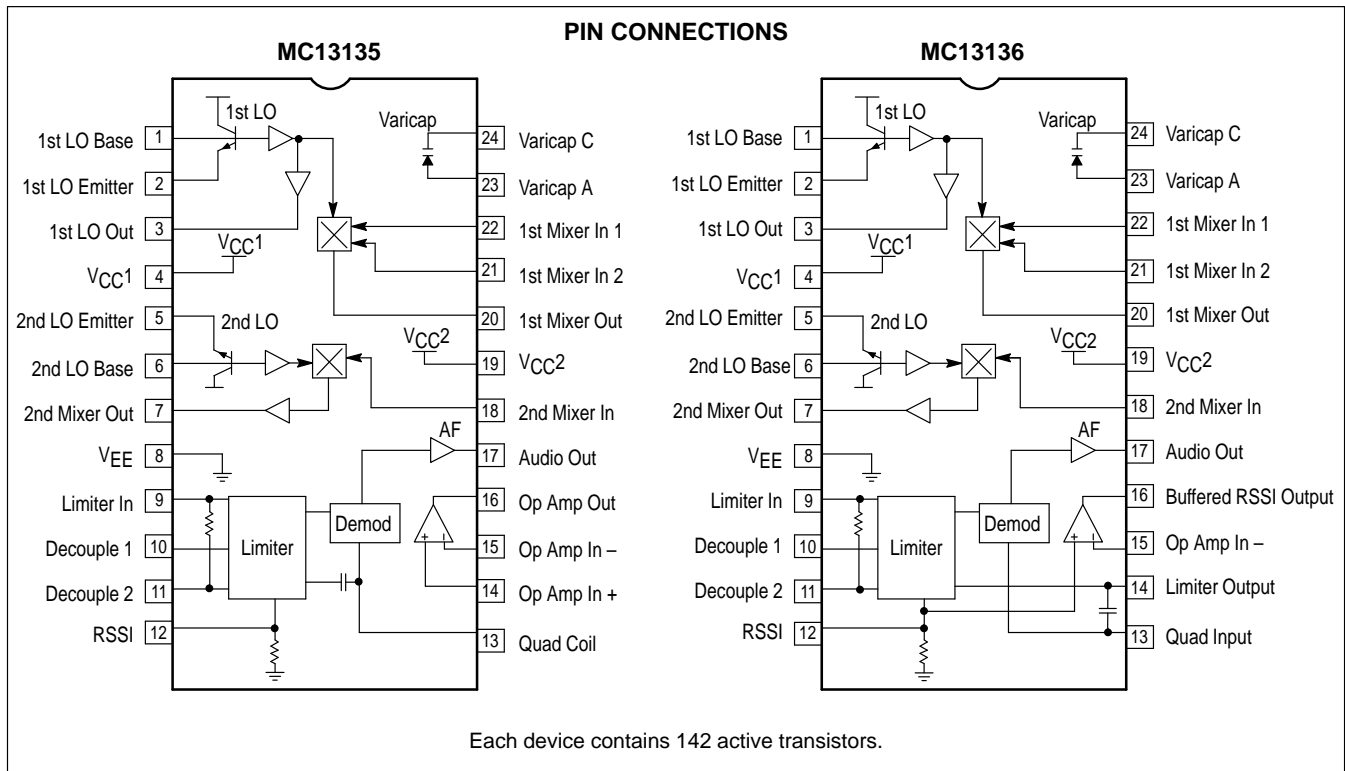


These devices can be used as stand-alone VHF receivers or as the lower IF of a triple conversion system. Applications include cordless telephones, short range data links, walkie-talkies, low cost land mobile, amateur radio receivers, baby monitors and scanners.

- Complete Dual Conversion FM Receiver – Antenna to Audio Output
- Input Frequency Range – 200 MHz
- Voltage Buffered RSSI with 70 dB of Usable Range
- Low Voltage Operation – 2.0 to 6.0 Vdc (2 Cell NiCad Supply)
- Low Current Drain – 3.5 mA Typ
- Low Impedance Audio Output < 25 Ω
- VHF Colpitts First LO for Crystal or VCO Operation
- Isolated Tuning Diode
- Buffered First LO Output to Drive CMOS PLL Synthesizer

ORDERING INFORMATION

Device	Operating Temperature Range	Package
MC13135P	T _A = -40° to +85°C	Plastic DIP
MC13135DW		SO-24L
MC13136P		Plastic DIP
MC13136DW		SO-24L



MC13135 MC13136

MAXIMUM RATINGS

Rating	Pin	Symbol	Value	Unit
Power Supply Voltage	4, 19	V_{CC} (max)	6.5	Vdc
RF Input Voltage	22	RF_{in}	1.0	Vrms
Junction Temperature	–	T_J	+150	°C
Storage Temperature Range	–	T_{stg}	– 65 to +150	°C

RECOMMENDED OPERATING CONDITIONS

Rating	Pin	Symbol	Value	Unit
Power Supply Voltage	4, 19	V_{CC}	2.0 to 6.0	Vdc
Maximum 1st IF	–	f_{IF1}	21	MHz
Maximum 2nd IF	–	f_{IF2}	3.0	MHz
Ambient Temperature Range	–	T_A	– 40 to + 85	°C

ELECTRICAL CHARACTERISTICS ($T_A=25^\circ\text{C}$, $V_{CC}=4.0\text{Vdc}$, $f_0=49.7\text{MHz}$, $f_{MOD}=1.0\text{kHz}$, Deviation= $\pm 3.0\text{kHz}$, $f_{1stLO}=39\text{MHz}$, $f_{2ndLO}=10.245\text{MHz}$, $IF1=10.7\text{MHz}$, $IF2=455\text{kHz}$, unless otherwise noted. All measurements performed in the test circuit of Figure 1.)

Characteristic	Condition	Symbol	Min	Typ	Max	Unit
Total Drain Current	No Input Signal	I_{CC}	–	4.0	6.0	mAdc
Sensitivity (Input for 12 dB SINAD)	Matched Input	V_{SIN}	–	1.0	–	μVrms
Recovered Audio MC13135 MC13136	$V_{RF} = 1.0\text{mV}$	A_{FO}	170 215	220 265	300 365	mVrms
Limiter Output Level (Pin 14, MC13136)		V_{LIM}	–	130	–	mVrms
1st Mixer Conversion Gain	$V_{RF} = -40\text{dBm}$	MX_{gain1}	–	12	–	dB
2nd Mixer Conversion Gain	$V_{RF} = -40\text{dBm}$	MX_{gain2}	–	13	–	dB
First LO Buffered Output	–	V_{LO}	–	100	–	mVrms
Total Harmonic Distortion	$V_{RF} = -30\text{dBm}$	THD	–	1.2	3.0	%
Demodulator Bandwidth	–	BW	–	50	–	kHz
RSSI Dynamic Range	–	RSSI	–	70	–	dB
First Mixer 3rd Order Intercept (Input)	Matched Unmatched	TOI_{Mix1}	– –	–17 –11	– –	dBm
Second Mixer 3rd Order Intercept (RF Input)	Matched Input	TOI_{Mix2}	–	–27	–	dBm
First LO Buffer Output Resistance	–	R_{LO}	–	–	–	Ω
First Mixer Parallel Input Resistance	–	R	–	722	–	Ω
First Mixer Parallel Input Capacitance	–	C	–	3.3	–	pF
First Mixer Output Impedance	–	Z_O	–	330	–	Ω
Second Mixer Input Impedance	–	Z_I	–	4.0	–	$k\Omega$
Second Mixer Output Impedance	–	Z_O	–	1.8	–	$k\Omega$
Detector Output Impedance	–	Z_O	–	25	–	Ω

Figure 2. Supply Current versus Supply Voltage

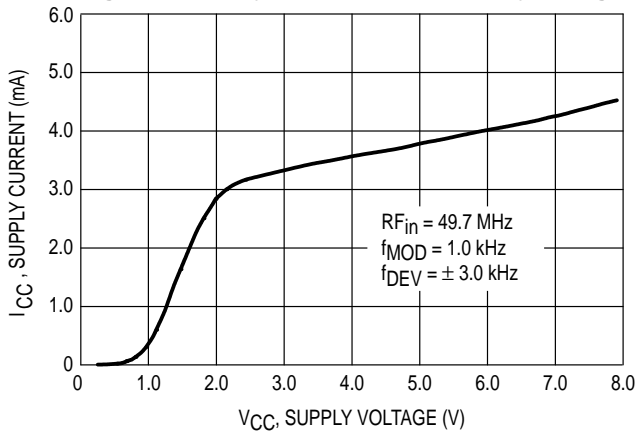


Figure 3. RSSI Output versus RF Input

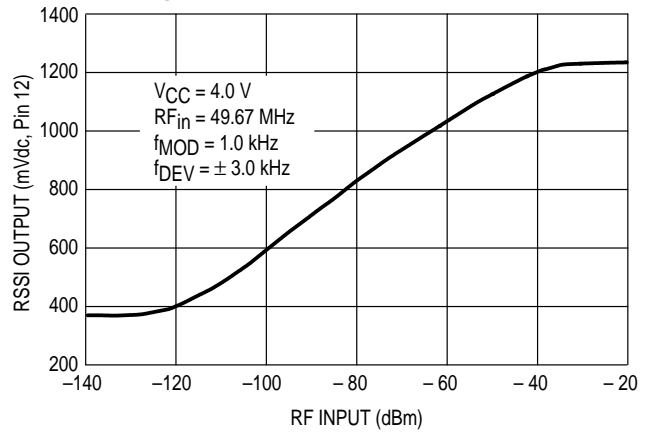


Figure 4. Varactor Capacitance, Resistance versus Bias Voltage

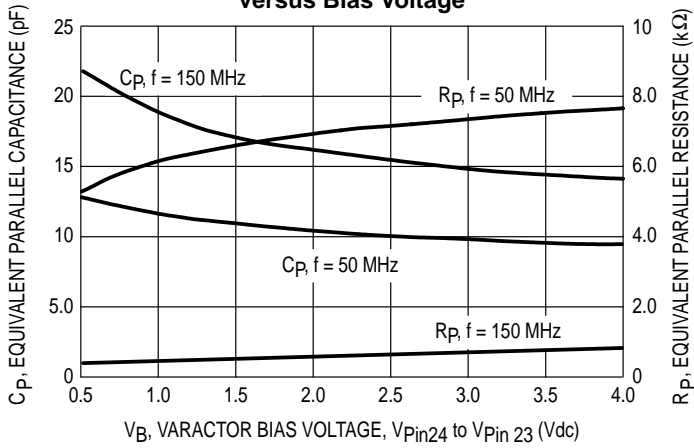


Figure 5. Oscillator Frequency versus Varactor Bias

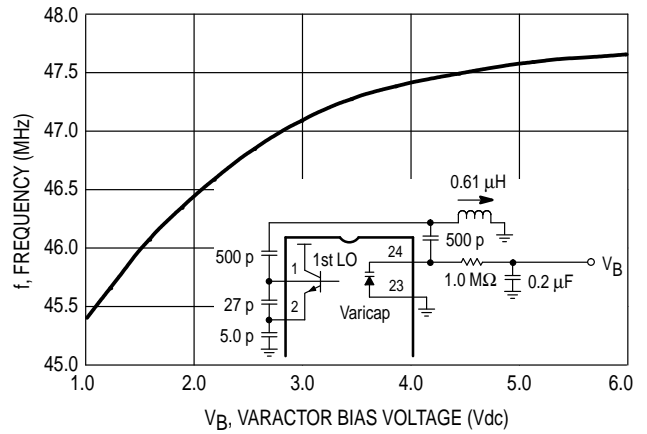


Figure 6. Signal Levels versus RF Input

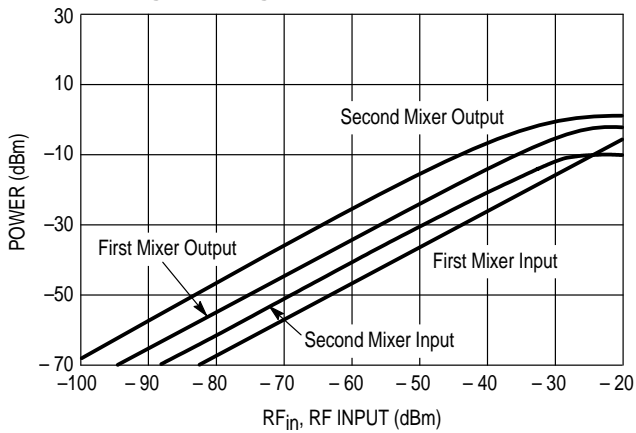


Figure 7. Signal + Noise, Noise, and AM Rejection versus Input Power

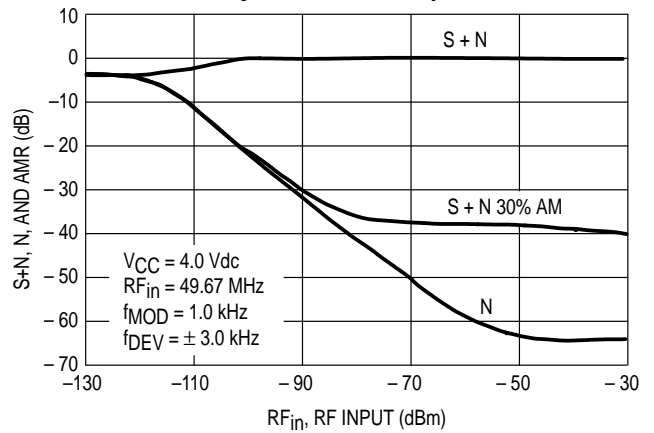


Figure 8. Op Amp Gain and Phase versus Frequency

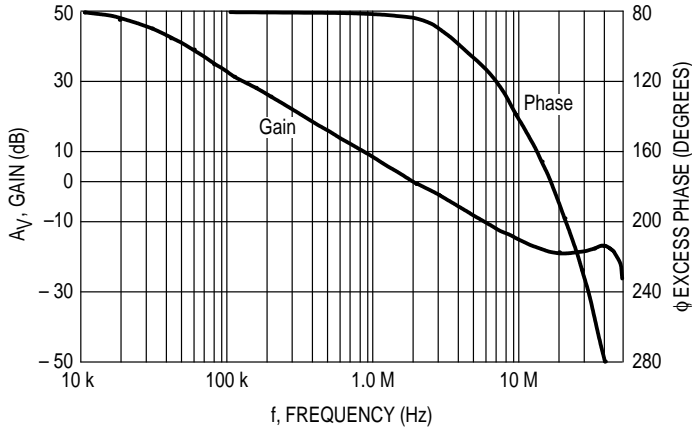


Figure 9. First Mixer Third Order Intermodulation (Unmatched Input)

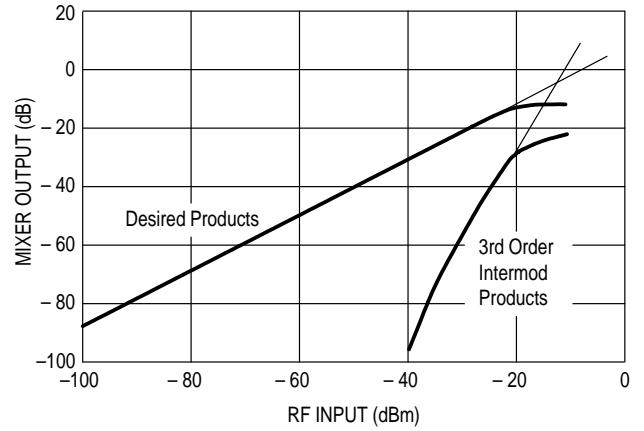


Figure 10. Recovered Audio versus Deviation for MC13135

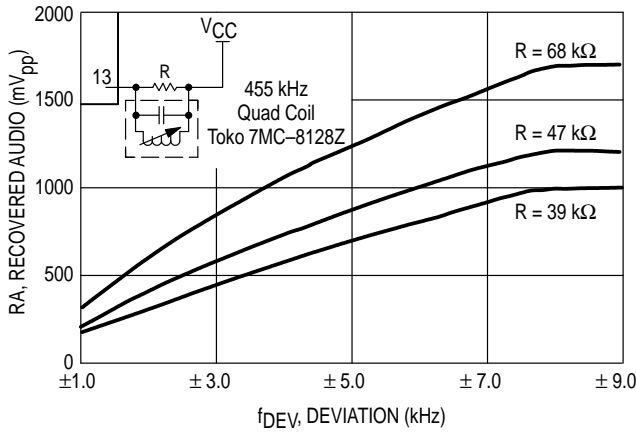


Figure 11. Distortion versus Deviation for MC13135

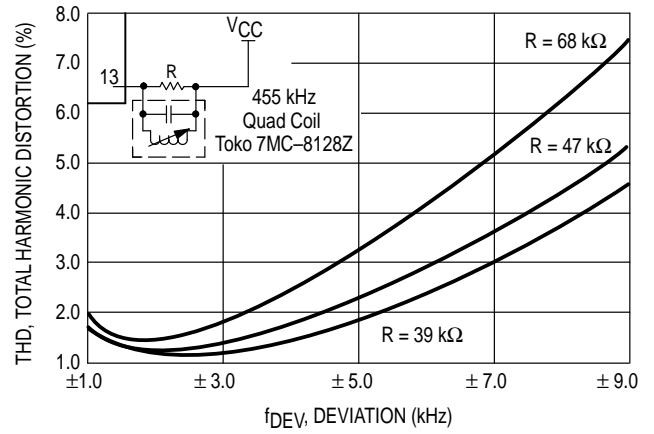


Figure 12. Recovered Audio versus Deviation for MC13136

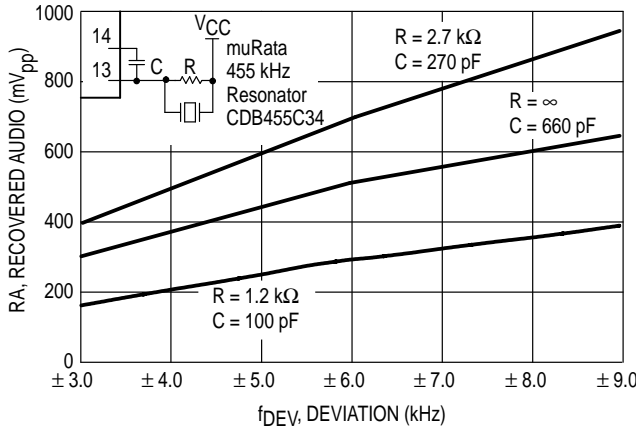
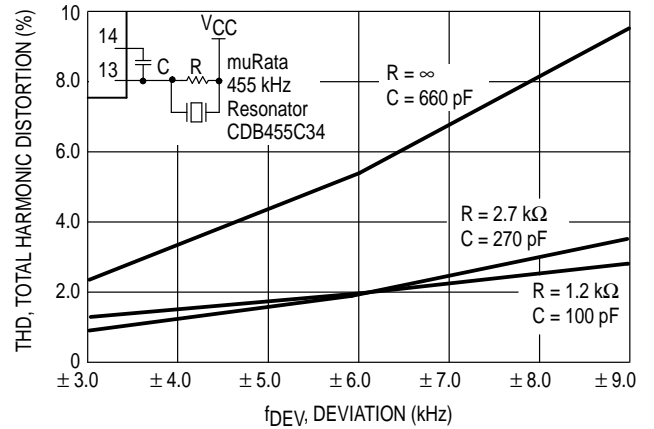


Figure 13. Distortion versus Deviation for MC13136



MC13135 MC13136

CIRCUIT DESCRIPTION

The MC13135/13136 are complete dual conversion receivers. They include two local oscillators, two mixers, a limiting IF amplifier and detector, and an op amp. Both provide a voltage buffered RSSI with 70 dB of usable range, isolated tuning diode and buffered LO output for PLL operation, and a separate V_{CC} pin for the first mixer and LO. Improvements have been made in the temperature performance of both the recovered audio and the RSSI.

V_{CC}

Two separate V_{CC} lines enable the first LO and mixer to continue running while the rest of the circuit is powered down. They also isolate the RF from the rest of the internal circuit.

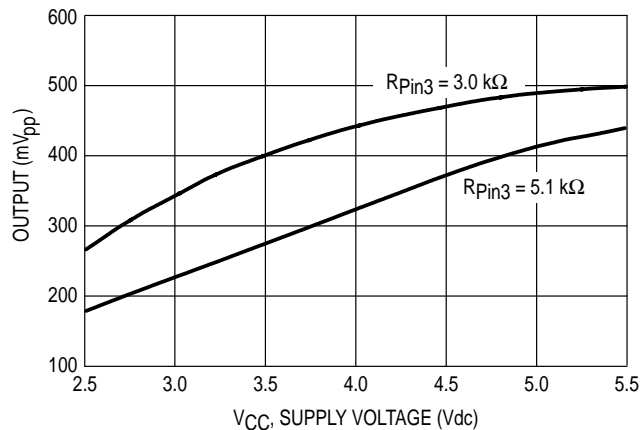
Local Oscillators

The local oscillators are grounded collector Colpitts, which can be easily crystal-controlled or VCO controlled with the on-board varactor and external PLL. The first LO transistor is internally biased, but the emitter is pinned-out and I_Q can be increased for high frequency or VCO operation. The collector is not pinned out, so for crystal operation, the LO is generally limited to 3rd overtone crystal frequencies; typically around 60 MHz. For higher frequency operation, the LO can be provided externally as shown in Figure 16.

Buffer

An amplifier on the 1st LO output converts the single-ended LO output to a differential signal to drive the mixer. Capacitive coupling between the LO and the amplifier minimizes the effects of the change in oscillator current on the mixer. Buffered LO output is pinned-out at Pin 3 for use with a PLL, with a typical output voltage of 320 mV_{pp} at $V_{CC} = 4.0$ V and with a 5.1 k resistor from Pin 3 to ground. As seen in Figure 14, the buffered LO output varies with the supply voltage and a smaller external resistor may be needed for low voltage operation. The LO buffer operates up to 60 MHz, typically. Above 60 MHz, the output at Pin 3 rolls off at approximately 6.0 dB per octave. Since most PLLs require about 200 mV_{pp} drive, an external amplifier may be required.

Figure 14. Buffered LO Output Voltage versus Supply Voltage



Mixers

The first and second mixer are of similar design. Both are double balanced to suppress the LO and input frequencies to give only the sum and difference frequencies out. This configuration typically provides 40 to 60 dB of LO suppression. New design techniques provide improved mixer linearity and third order intercept without increased noise. The gain on the output of the 1st mixer starts to roll off at about 20 MHz, so this receiver could be used with a 21 MHz first IF. It is designed for use with a ceramic filter, with an output impedance of 330 Ω. A series resistor can be used to raise the impedance for use with a crystal filter, which typically has an input impedance of 4.0 kΩ. The second mixer input impedance is approximately 4.0 kΩ; it requires an external 360 Ω parallel resistor for use with a standard ceramic filter.

Limiting IF Amplifier and Detector

The limiter has approximately 110 dB of gain, which starts rolling off at 2.0 MHz. Although not designed for wideband operation, the bandwidth of the audio frequency amplifier has been widened to 50 kHz, which gives less phase shift and enables the receiver to run at higher data rates. However, care should be taken not to exceed the bandwidth allowed by local regulations.

The MC13135 is designed for use with an LC quadrature detector, and does not have sufficient drive to be used with a ceramic discriminator. The MC13136 was designed to use a ceramic discriminator, but can also be run with an LC quad coil, as mentioned in the Test Circuit Information section. The data shown in Figures 12 and 13 was taken using a muRata CDB455C34 ceramic discriminator which has been specially matched to the MC13136. Both the choice of discriminators and the external matching circuit will affect the distortion and recovered audio.

RSSI/Op Amp

The Received Signal Strength Indicator (RSSI) on the MC13135/13136 has about 70 dB of range. The resistor needed to translate the RSSI current to a voltage output has been included on the internal circuit, which gives it a tighter tolerance. A temperature compensated reference current also improves the RSSI accuracy over temperature. On the MC13136, the op amp on board is connected to the output to provide a voltage buffered RSSI. On the MC13135, the op amp is not connected internally and can be used for the RSSI or as a data slicer (see Figure 17c).

MC13135 MC13136

Figure 15. PLL Controlled Narrowband FM Receiver at 46/49 MHz

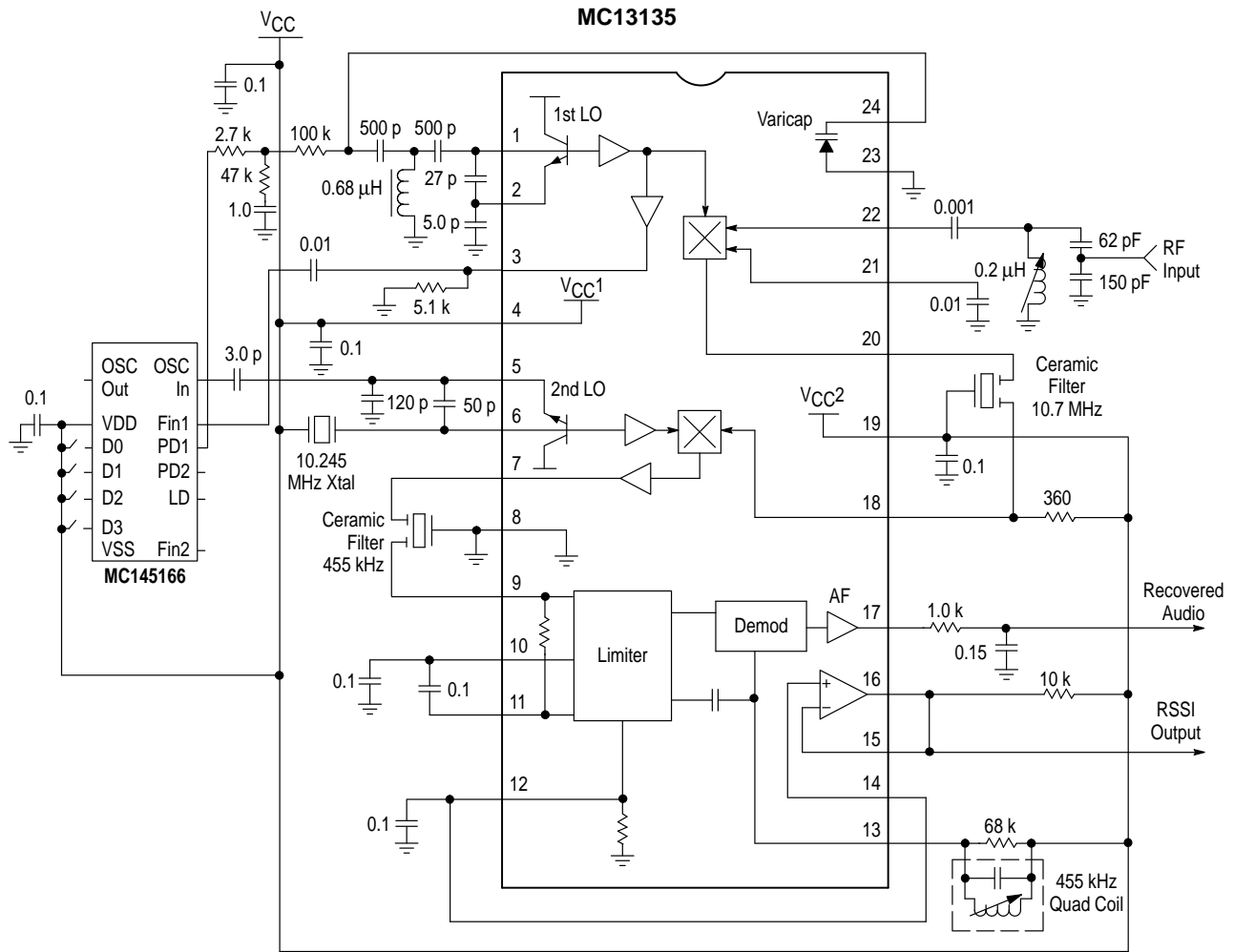
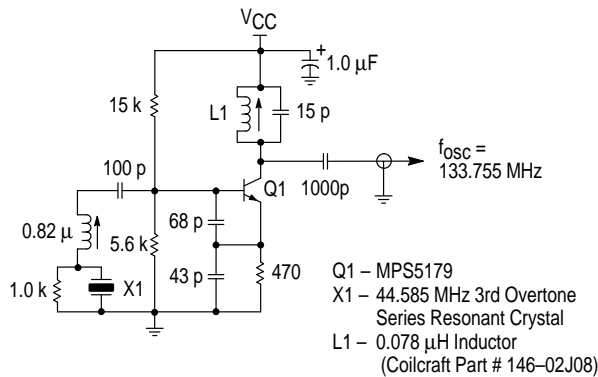
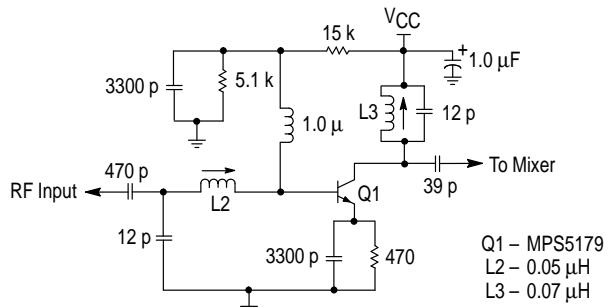


Figure 16. 144 MHz Single Channel Application Circuit

1st LO External Oscillator Circuit



Preamp for MC13135 at 144.455 MHz



MC13135 MC13136

Figure 17a. Single Channel Narrowband FM Receiver at 49.7 MHz

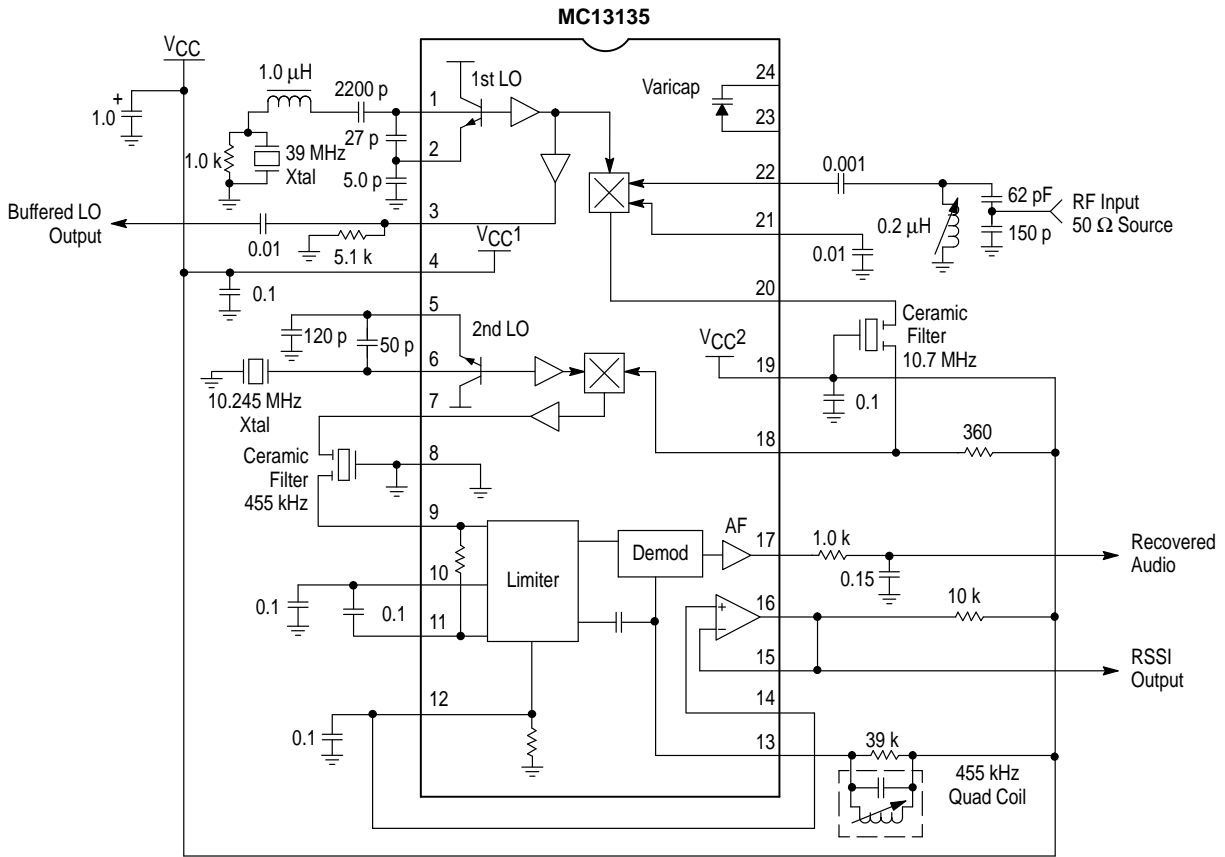
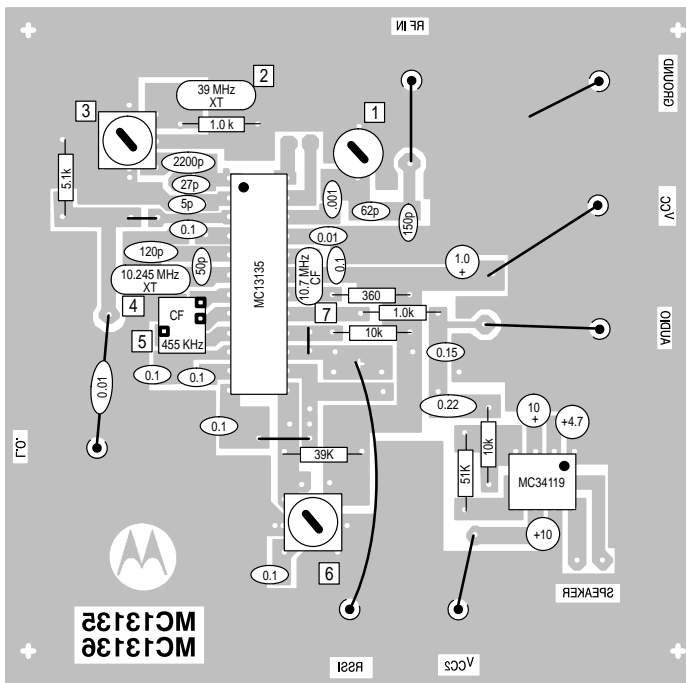
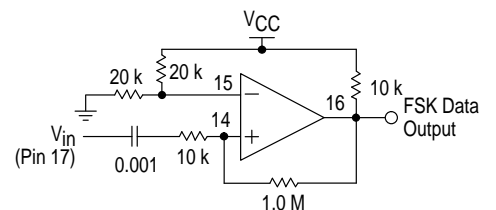


Figure 17b. PC Board Component View



- NOTES:**
- 0.2 μH tunable (unshielded) inductor
 - 39 MHz Series mode resonant 3rd Overtone Crystal
 - 1.5 μH tunable (shielded) inductor
 - 10.245 MHz Fundamental mode crystal, 32 pF load
 - 455 kHz ceramic filter, muRata CFU 455B or equivalent
 - Quadrature coil, Toko 7MC-8128Z (7mm) or Toko RMC-2A6597HM (10mm)
 - 10.7 MHz ceramic filter, muRata SFE10.7MJ-A or equivalent

Figure 17c. Optional Data Slicer Circuit (Using Internal Op Amp)



MC13135 MC13136

Figure 20a. Single Channel Narrowband FM Receiver at 49.7 MHz

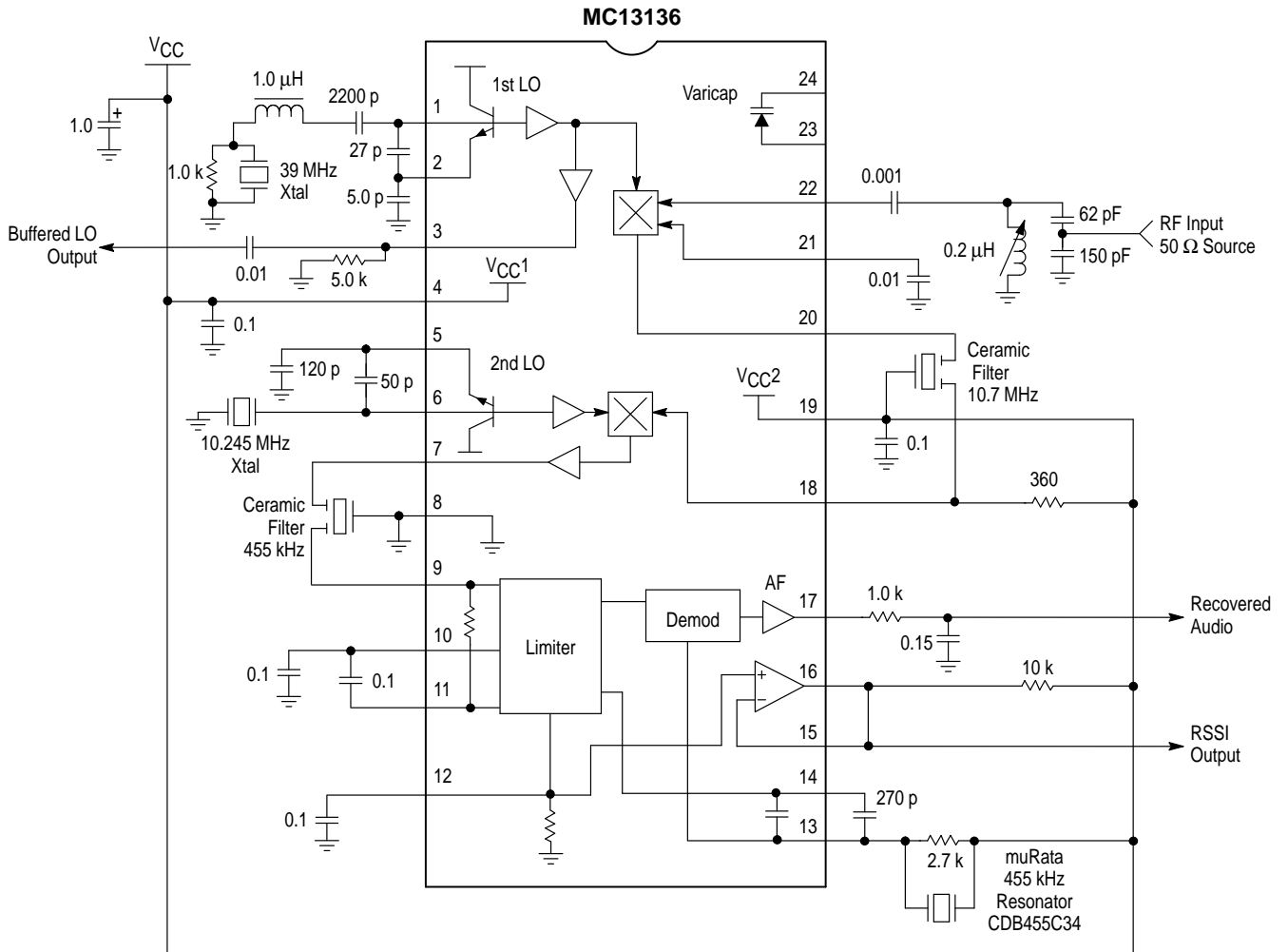


Figure 20b. Optional Audio Amplifier Circuit

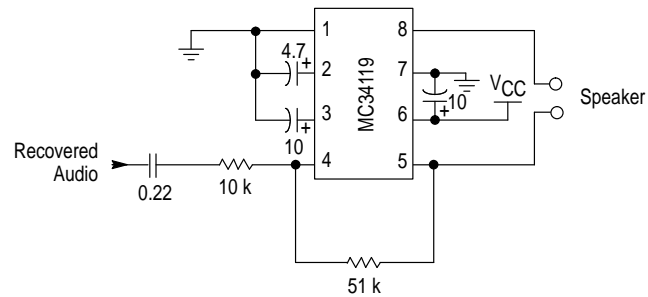
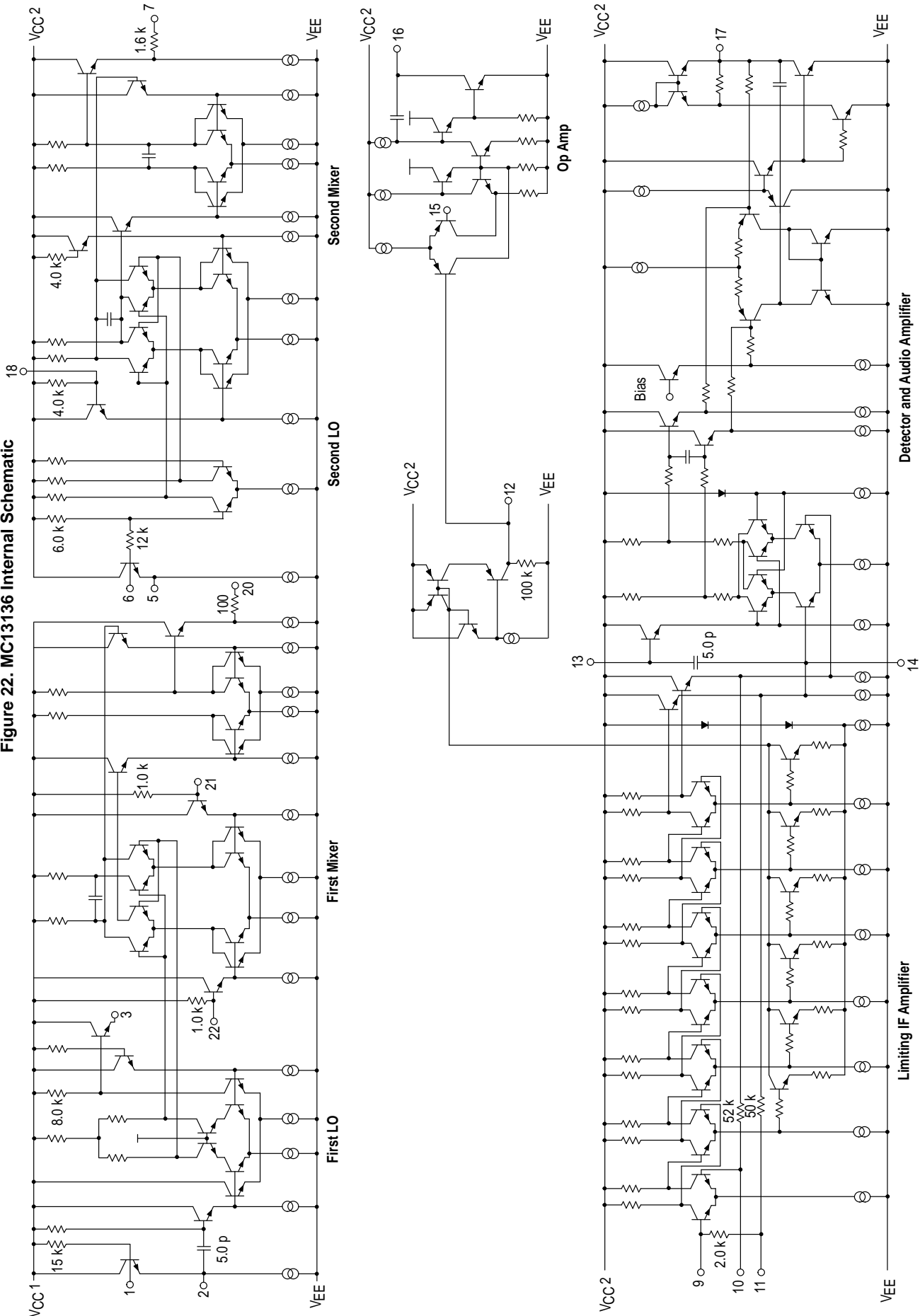


Figure 22. MC13136 Internal Schematic

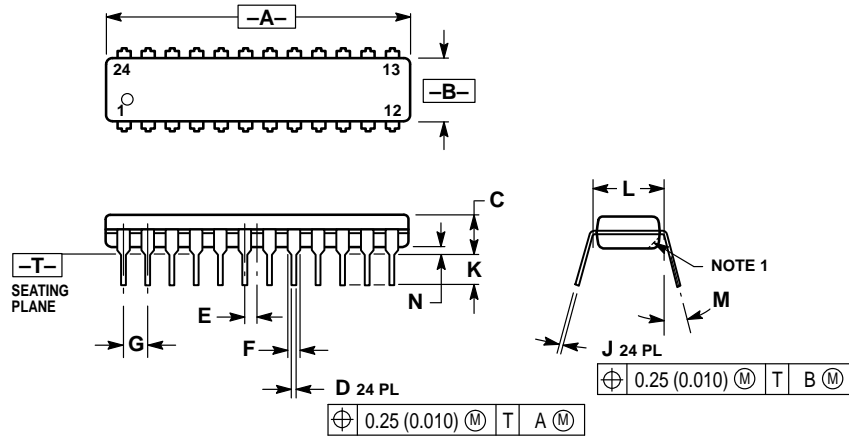


This device contains 142 active transistors.

MC13135 MC13136

OUTLINE DIMENSIONS

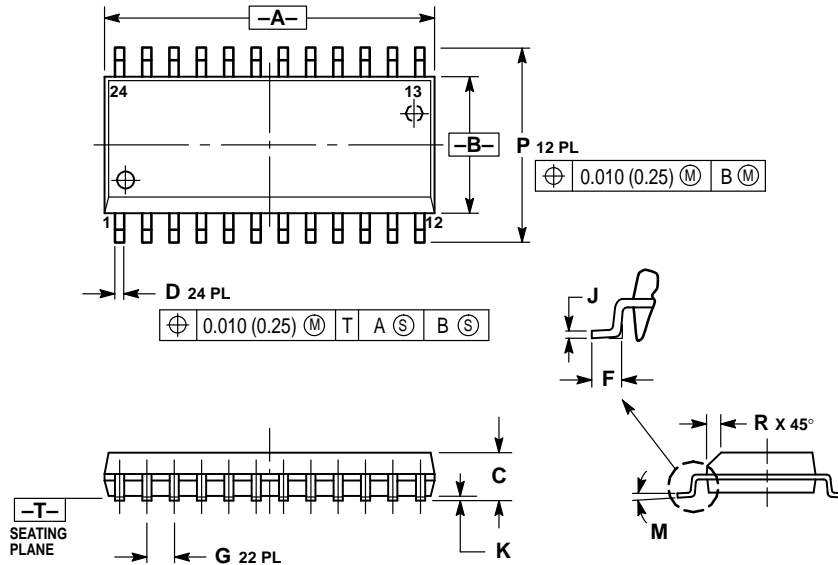
P SUFFIX PLASTIC PACKAGE CASE 724-03 ISSUE D



- NOTES:
1. CHAMFERED CONTOUR OPTIONAL.
 2. DIMENSION L TO CENTER OF LEADS WHEN FORMED PARALLEL.
 3. DIMENSIONING AND TOLERANCING PER ANSI Y14.5M, 1982.
 4. CONTROLLING DIMENSION: INCH.

DIM	INCHES		MILLIMETERS	
	MIN	MAX	MIN	MAX
A	1.230	1.265	31.25	32.13
B	0.250	0.270	6.35	6.85
C	0.145	0.175	3.69	4.44
D	0.015	0.020	0.38	0.51
E	0.050 BSC		1.27 BSC	
F	0.040	0.060	1.02	1.52
G	0.100 BSC		2.54 BSC	
J	0.007	0.012	0.18	0.30
K	0.110	0.140	2.80	3.55
L	0.300 BSC		7.62 BSC	
M	0°	15°	0°	15°
N	0.020	0.040	0.51	1.01

DW SUFFIX PLASTIC PACKAGE CASE 751E-04 (SO-24L) ISSUE E



- NOTES:
1. DIMENSIONING AND TOLERANCING PER ANSI Y14.5M, 1982.
 2. CONTROLLING DIMENSION: MILLIMETER.
 3. DIMENSIONS A AND B DO NOT INCLUDE MOLD PROTRUSION.
 4. MAXIMUM MOLD PROTRUSION 0.15 (0.006) PER SIDE.
 5. DIMENSION D DOES NOT INCLUDE DAMBAR PROTRUSION. ALLOWABLE DAMBAR PROTRUSION SHALL BE 0.13 (0.005) TOTAL IN EXCESS OF D DIMENSION AT MAXIMUM MATERIAL CONDITION.

DIM	MILLIMETERS		INCHES	
	MIN	MAX	MIN	MAX
A	15.25	15.54	0.601	0.612
B	7.40	7.60	0.292	0.299
C	2.35	2.65	0.093	0.104
D	0.35	0.49	0.014	0.019
F	0.41	0.90	0.016	0.035
G	1.27 BSC		0.050 BSC	
J	0.23	0.32	0.009	0.013
K	0.13	0.29	0.005	0.011
M	0°	8°	0°	8°
P	10.05	10.55	0.395	0.415
R	0.25	0.75	0.010	0.029

MC13135 MC13136
NOTES

MC13135 MC13136
NOTES

MC13135 MC13136

Motorola reserves the right to make changes without further notice to any products herein. Motorola makes no warranty, representation or guarantee regarding the suitability of its products for any particular purpose, nor does Motorola assume any liability arising out of the application or use of any product or circuit, and specifically disclaims any and all liability, including without limitation consequential or incidental damages. "Typical" parameters which may be provided in Motorola data sheets and/or specifications can and do vary in different applications and actual performance may vary over time. All operating parameters, including "Typicals" must be validated for each customer application by customer's technical experts. Motorola does not convey any license under its patent rights nor the rights of others. Motorola products are not designed, intended, or authorized for use as components in systems intended for surgical implant into the body, or other applications intended to support or sustain life, or for any other application in which the failure of the Motorola product could create a situation where personal injury or death may occur. Should Buyer purchase or use Motorola products for any such unintended or unauthorized application, Buyer shall indemnify and hold Motorola and its officers, employees, subsidiaries, affiliates, and distributors harmless against all claims, costs, damages, and expenses, and reasonable attorney fees arising out of, directly or indirectly, any claim of personal injury or death associated with such unintended or unauthorized use, even if such claim alleges that Motorola was negligent regarding the design or manufacture of the part. Motorola and  are registered trademarks of Motorola, Inc. Motorola, Inc. is an Equal Opportunity/Affirmative Action Employer.

How to reach us:

USA/EUROPE/Locations Not Listed: Motorola Literature Distribution;
P.O. Box 20912; Phoenix, Arizona 85036. 1-800-441-2447 or 602-303-5454

MFAX: RMFAX0@email.sps.mot.com – TOUCHTONE 602-244-6609
INTERNET: <http://Design-NET.com>

JAPAN: Nippon Motorola Ltd.; Tatsumi-SPD-JLDC, 6F Seibu-Butsuryu-Center,
3-14-2 Tatsumi Koto-Ku, Tokyo 135, Japan. 03-81-3521-8315

ASIA/PACIFIC: Motorola Semiconductors H.K. Ltd.; 8B Tai Ping Industrial Park,
51 Ting Kok Road, Tai Po, N.T., Hong Kong. 852-26629298



MC13135/D

