



ARCHIVED BY FREESCALE SEMICONDUCTOR, INC. 2005

Advance Information

VHF - 2.0 GHz Low Noise Amplifier with Programmable Bias

The MC13144 is designed in the Motorola High Frequency Bipolar MOSIAC V™ wafer process to provide excellent performance in analog and digital communication systems. It includes a cascoded LNA usable up to 2.0 GHz and at 1.8 Vdc, with 2 bit digital programming of the LNA bias. Targeted applications are in the UHF Family Radio Services, UHF and 800 MHz Special Mobile Radio, 800 MHz Cellular and GSM, PCS, DECT and PHS at 1.8 to 2.0 GHz and Cordless Telephones in the 902 to 928 MHz band covered by FCC Title 47; Part 15. The MC13144 offers the following features:

- 17 dB Gain at 900 MHz
- 1.4 dB Noise Figure at 900 MHz
- 1.0 dB Compression Point of -7.0 dBm; Input Third Order Intercept Point of -5.0 dBm
- Low Operating Supply Voltage (1.8 to 6.0 Vdc)
- Programmable Bias with Enable 1 and Enable 2
- Enable 1 and Enable 2 Programmed High for Optimal Noise Figure and Gain Associated with NF
- Can Override Enable and Externally Program In Up to 15 mA

MOSAIC V is a trademark of Motorola, Inc.

MC13144

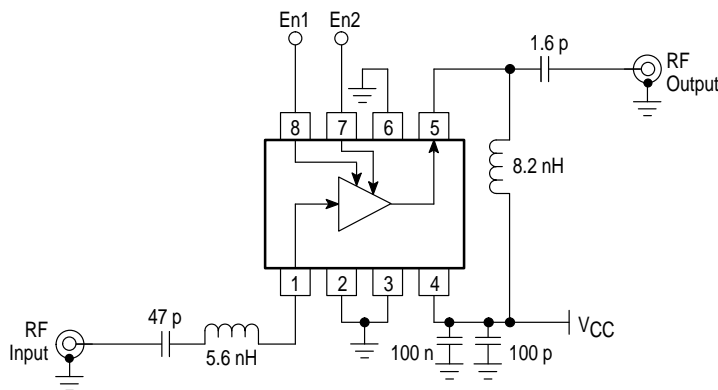
VHF – 2.0 GHz LOW NOISE AMPLIFIER WITH PROGRAMMABLE BIAS

SEMICONDUCTOR TECHNICAL DATA



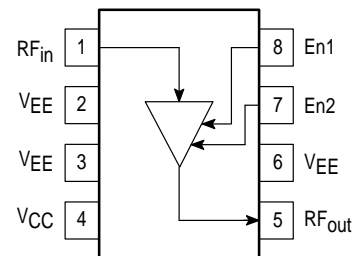
D SUFFIX
PLASTIC PACKAGE
CASE 751
(SO-8)

Typical Application as 900 MHz Low Noise Amplifier



This device contains 67 active transistors.

PIN CONNECTIONS AND FUNCTIONAL BLOCK DIAGRAM



ORDERING INFORMATION

Device	Operating Temperature Range	Package
MC13144D	T _A = -40 to 85°C	SO-8

Freescale Semiconductor, Inc. ARCHIVED BY FREESCALE SEMICONDUCTOR, INC. 2005

ARCHIVE INFORMATION

Freescale Semiconductor, Inc.

MAXIMUM RATINGS

Rating	Symbol	Value	Unit
Power Supply Voltage	$V_{CC(max)}$	7.0	Vdc
Junction Temperature	T_{Jmax}	150	°C
Storage Temperature Range	T_{stg}	-65 to 150	°C

- NOTES:** 1. Devices should not be operated at or outside these values. The "Recommended Operating Conditions" provide for actual device operation.
2. ESD data available upon request.

RECOMMENDED OPERATING CONDITIONS

Rating	Symbol	Min	Typ	Max	Unit
Power Supply Voltage	V_{CC}	1.8	-	6.0	Vdc

DC ELECTRICAL CHARACTERISTICS ($T_A = 25^\circ\text{C}$; $V_{CC} = 3.0\text{ Vdc}$; $f_{RF} = 1.0\text{ GHz}$; $P_{in} = -25\text{ dBm}$)

Characteristic	Symbol	Min	Typ	Max	Unit
Supply Current (Power Down) ($E_{n1} = E_{n2} = \text{Low}$)	I_{CC0}	-	0.0001	20	μA
Supply Current (Power Up) ($E_{n1} = \text{Low}$; $E_{n2} = \text{High}$)	I_{CC1}	-	1.2	2.0	mA
Supply Current (Power Up) ($E_{n1} = \text{High}$; $E_{n2} = \text{Low}$)	I_{CC2}	-	3.4	5.0	mA
Supply Current (Power Up) ($E_{n1} = \text{High}$; $E_{n2} = \text{High}$)	I_{CC3}	-	8.2	12	mA

AC ELECTRICAL CHARACTERISTICS ($T_A = 25^\circ\text{C}$; $V_{CC} = 3.0\text{ Vdc}$; $f_{RF} = 1.0\text{ GHz}$; $P_{in} = -25\text{ dBm}$)

Characteristic	Symbol	Min	Typ	Max	Unit
Amplifier Gain (50 Ω Insertion Gain) ($E_{n1} = E_{n2} = \text{High}$)	S_{21}^2	-	12	-	dB
Amplifier Reverse Isolation ($E_{n1} = E_{n2} = \text{High}$)	S_{12}	-	-35	-	dB
Amplifier Input Return Loss ($E_{n1} = E_{n2} = \text{High}$)	Γ_{inamp}	-	-10	-	dB
Amplifier Output Return Loss ($E_{n1} = E_{n2} = \text{High}$)	Γ_{outamp}	-	-15	-	dB
Input 3rd Order Intercept Point ($E_{n1} = E_{n2} = \text{High}$) $df = 100\text{ kHz}$ $df = 1.0\text{ MHz}$	IIP3	-	-11 -5.0	-	dBm
Amplifier Noise Figure (Figure 1; $E_{n1} = E_{n2} = \text{High}$)	NF	-	1.4	2.0	dB
Amplifier Gain @ NF (Figure 1; $E_{n1} = E_{n2} = \text{High}$)	G_{NF}	-	17	-	dB
Amplifier Gain ($E_{n1} = E_{n2} = \text{High}$)	G_{ain3}	14	17	-	dB
Amplifier Gain ($E_{n1} = \text{High}$; $E_{n2} = \text{Low}$)	G_{ain2}	10	13.3	-	dB
Amplifier Gain ($E_{n1} = \text{Low}$; $E_{n2} = \text{High}$)	G_{ain1}	6.0	9.2	-	dB

Freescale Semiconductor, Inc.

CIRCUIT DESCRIPTION

General

The MC13144 is a low noise amplifier with programmable bias. This device is designated for use in the front end section in analog and digital FM systems such as Wireless Local Area Network (LAN), Digital European Cordless Telephone (DECT), PHS, PCS, GPS, Cellular, UHF and 800 MHz Special Mobile Radio (SMR), UHF Family Radio Services and 902 to 928 MHz cordless telephones.

Current Regulation/Enable

Temperature compensating voltage independent current regulation is digitally controlled by a 2-bit programmable bias/enable circuit.

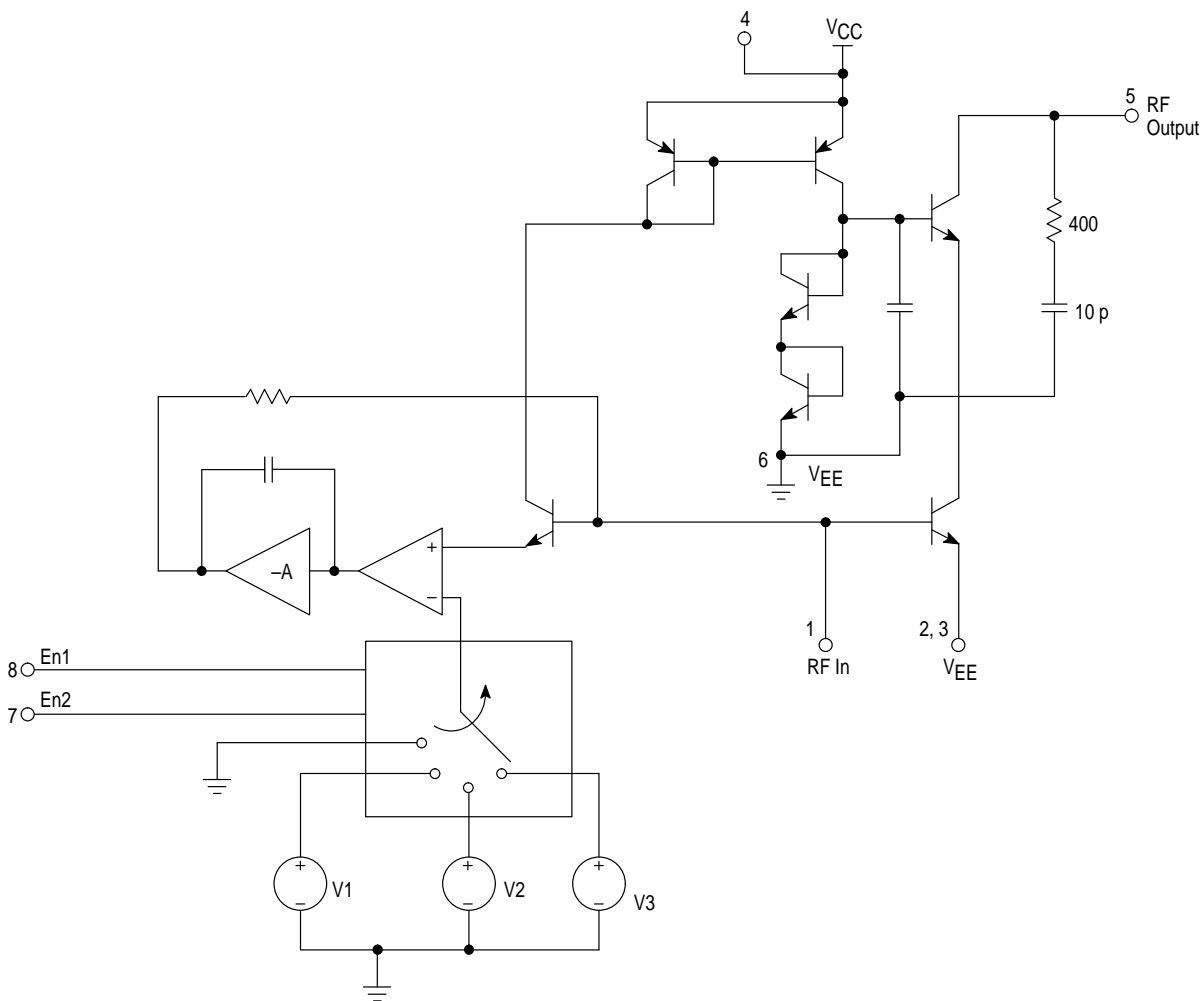
LNA

The LNA is a unique and patented cascode amplifier with digitally (2-bit) programmable bias (see Internal Circuit Schematic). Typical gain of the LNA is 17 dB for minimum noise figure of 1.4 dB at 900 MHz.

Programmable Bias/Enable Circuit

This unique circuit allows for 3 bias levels and a standby mode in which the LNA can be externally biased as desired.

Figure 1. MC13144 Internal Circuit*



NOTE: * The MC13144 uses a unique and patent pending circuit topology.

Freescale Semiconductor, Inc.

APPLICATIONS INFORMATION

Evaluation PC Board

The evaluation PCB is very versatile and is intended to be used across the entire useful frequency range of this device. The PC board layout accommodates all SMT components on the circuit side (see Circuit Side Component Placement View).

Component Selection

The evaluation PC board is laid out for the 4DFA (2 pole SMD Type) and 4DFB (3 pole SMD Type) filters which are available for applications in Cellular and GSM, GPS (1.2 to 1.5 GHz), DECT, PHS and PCS (1.8 to 2.0 GHz) and ISM Bands (902 to 928 MHz and 2.4 to 2.5 GHz). In the 926.5 MHz Application Circuit, a ceramic dielectric filter is used (Toko part # 4DFA-926A10).

LNA Input/Output

The LNA input impedance is the base of a common emitter cascode amplifier. The LNA output is the collector of the cascode stage and it is loaded with a series resistor of 400 Ω and a capacitor of 10 pF to provide stability.

Digitally Programmable Bias/Enable

The LNA is enabled by a 2 bit (En1 and En2) programmable bias circuit. The internal circuit shows the comparator circuit which programs the internal regulator. The logic table below shows the bias and typical performance.

f = 900 mHz

ICC/Gain	En2 Low	En2 High
En1 Low	0 mA/-22 dB	1.2 mA/9.2 dB
En1 High	3.4 mA/13 dB	8.2 mA/17 dB

f = 1900 mHz

ICC/Gain	En2 Low	En2 High
En1 Low	0 mA/-22 dB	1.2 mA/7.5 dB
En1 High	3.4 mA/10 dB	8.2 mA/13 dB

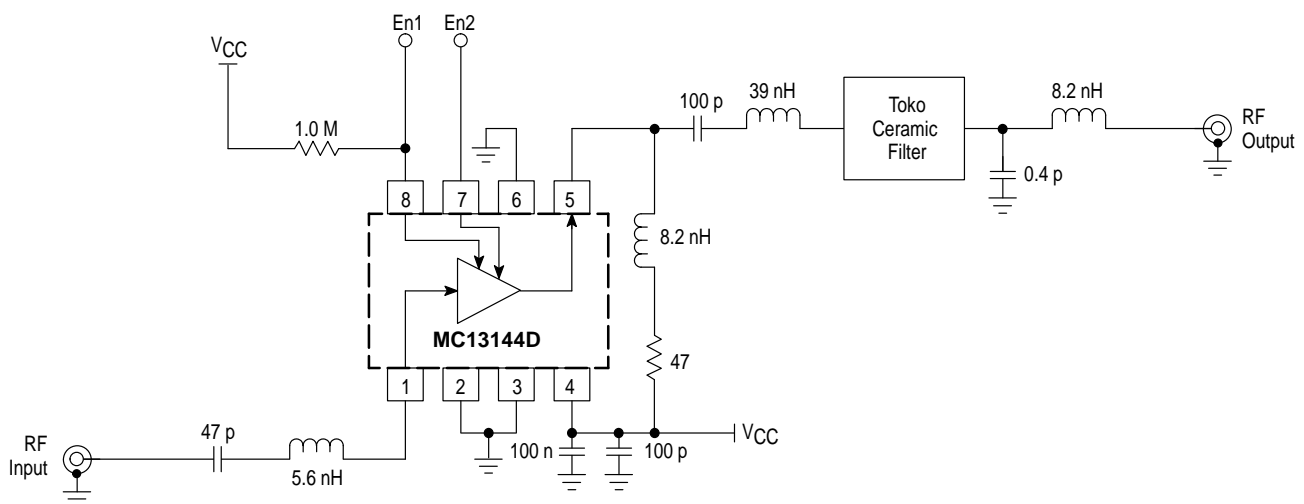
Input/Output Matching

A typical application at 900 MHz yields 17 dB gain and 1.4 dB noise figure. In this circuit a series inductor of 5.6 nH is used to match the input and a shunt inductor of 8.2 nH which also serves as an RFC and a series capacitor of 0.9 pF is used to match the LNA output to 50 Ω load impedance.

It may be desirable to use a RF ceramic or SAW filter after the LNA when driving a mixer to provide image frequency rejection. The image filter is selected based on cost, size and performance tradeoffs. Typical RF filters have 3.0 to 5.0 dB insertion loss. Interface matching between the RF input, RF filter and the mixer is shown in Application Circuit and the Component Placement View.

A typical application at 1900 MHz yields 13 dB gain and 2.7 dB noise figure. In this circuit a series inductor of 5.6 nH and a series capacitor of 1.0 pF are used to match the input and a shut inductor of 2.0 nH and a series capacitor of 2.0 pF are used to match the LNA output to 50 Ω load impedance.

Figure 2. MC13144D Application Circuit (926.5 MHz)



Freescale Semiconductor, Inc.

Figure 3. Typical S-Parameters VCC = 3.0 Vdc; En1 = En2 =1

Freq (MHz)	S11 Mag	S11 Ang	S21 Mag	S21 Ang	S12 Mag	S12 Ang	S22 Mag	S22 Ang
100	0.91	-11	4.2	143	0.00028	24	0.80	-10
125	0.92	-14	4.2	136	0.00033	71	0.79	-10
150	0.90	-16	4.2	127	0.0006	60	0.79	-11
175	0.89	-19	4.2	118	0.0011	80	0.78	-12
200	0.89	-22	4.0	108	0.0014	35	0.78	-13
250	0.88	-26	3.8	97	0.0015	39	0.78	-14
300	0.86	-32	4.1	77	0.0022	52	0.78	-17
350	0.85	-36	3.5	59	0.0017	65	0.78	-19
400	0.84	-41	3.7	50	0.0024	68	0.79	-21
450	0.83	-46	3.7	26	0.0021	63	0.79	-24
500	0.81	-50	3.2	15	0.0028	56	0.79	-26
550	0.80	-55	3.5	-3.0	0.0027	51	0.80	-29
600	0.79	-59	3.1	-22	0.0038	46	0.81	-32
650	0.77	-63	3.0	-36	0.0057	30	0.82	-35
700	0.77	-67	2.8	-52	0.0067	32	0.83	-39
750	0.77	-72	2.5	-68	0.0095	26	0.83	-43
800	0.76	-77	2.2	-77	0.014	13	0.80	-49
850	0.74	-82	2.2	-86	0.019	12	0.75	-51
900	0.71	-85	2.3	-100	0.020	38	0.73	-51
950	0.69	-88	2.3	-117	0.021	55	0.74	-51
1000	0.67	-91	2.3	-132	0.020	72	0.76	-54
1100	0.67	-98	2.2	-163	0.022	87	0.76	-59
1200	0.66	-106	2.1	168	0.026	107	0.79	-65
1300	0.79	-72	1.9	136	0.030	134	0.64	-73
1400	0.64	-121	1.9	100	0.038	150	0.80	-80
1500	0.62	-128	1.9	74	0.053	170	0.81	-87
1600	0.61	-135	1.7	40	0.068	157	0.82	-96
1700	0.59	-145	1.5	7.0	0.076	120	0.81	-105
1800	0.58	-152	1.4	-24	0.092	97	0.80	-115
1900	0.54	-125	1.2	-57	0.11	59	0.74	-125
2000	0.47	-130	1.0	-79	0.093	195	0.68	-130

Figure 4. Circuit Side Component Placement View

ARCHIVED BY FREESCALE SEMICONDUCTOR, INC. 2005

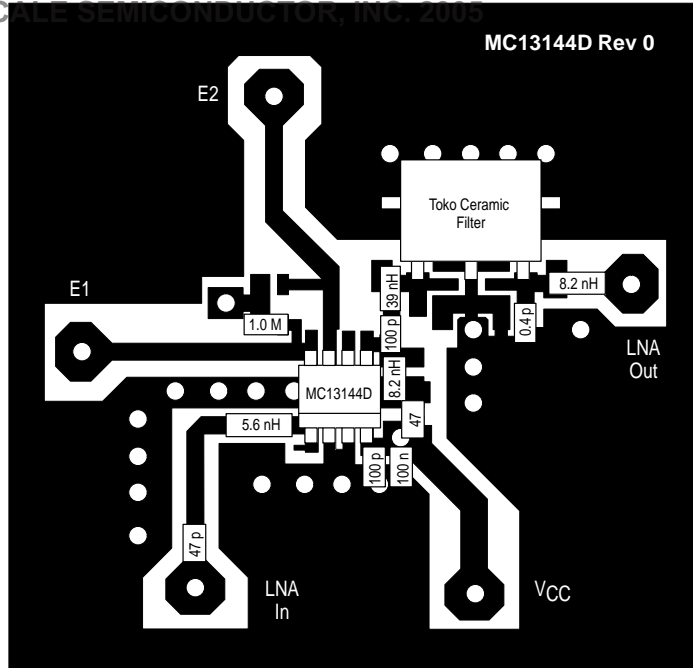
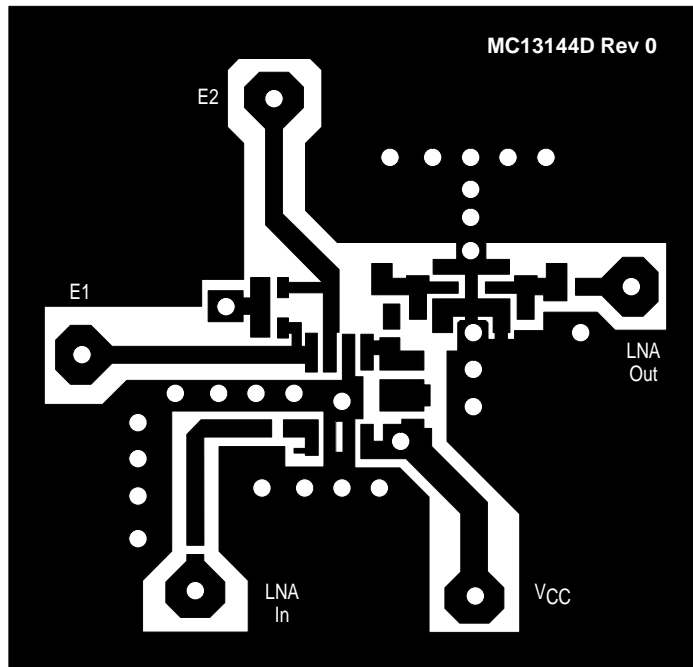


Figure 5. Circuit Side View



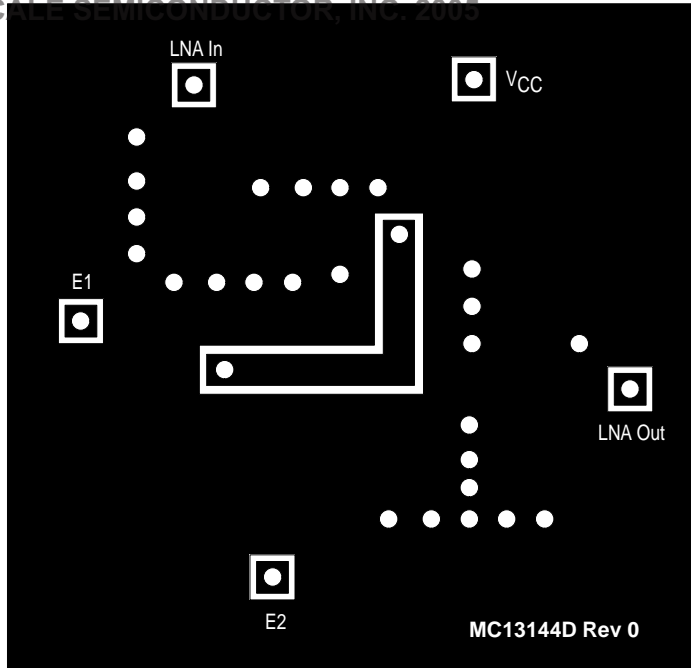
NOTES: Critical dimensions are 50 MIL centers lead to lead in SO-8 footprint.
 Also line widths to labeled ports excluding V_{CC}, E1 and E2 are 50 MIL (0.050 inch).
 FR4 PCB, 1/32 inch.

Freescale Semiconductor, Inc.
 ARCHIVED BY FREESCALE SEMICONDUCTOR, INC. 2005

ARCHIVE INFORMATION

Figure 6. Ground Side View

ARCHIVED BY FREESCALE SEMICONDUCTOR, INC. 2005



NOTES: FR4 PCB, 1/32 inch.

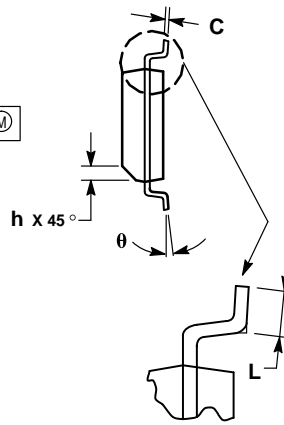
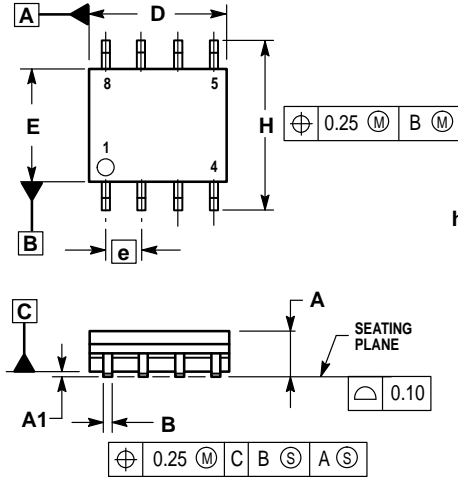
Freescale Semiconductor, Inc.
ARCHIVED BY FREESCALE SEMICONDUCTOR, INC. 2005

ARCHIVE INFORMATION

OUTLINE DIMENSIONS

ARCHIVED BY FREESCALE SEMICONDUCTOR, INC. 2005

D SUFFIX
 PLASTIC PACKAGE
 CASE 751-06
 (SO-8)
 ISSUE T



- NOTES:
1. DIMENSIONING AND TOLERANCING PER ASME Y14.5M, 1994.
 2. DIMENSIONS ARE IN MILLIMETER.
 3. DIMENSION D AND E DO NOT INCLUDE MOLD PROTRUSION.
 4. MAXIMUM MOLD PROTRUSION 0.15 PER SIDE.
 5. DIMENSION B DOES NOT INCLUDE DAMBAR PROTRUSION. ALLOWABLE DAMBAR PROTRUSION SHALL BE 0.127 TOTAL IN EXCESS OF THE B DIMENSION AT MAXIMUM MATERIAL CONDITION.

DIM	MILLIMETERS	
	MIN	MAX
A	1.35	1.75
A1	0.10	0.25
B	0.35	0.49
C	0.19	0.25
D	4.80	5.00
E	3.80	4.00
e	1.27 BSC	
H	5.80	6.20
h	0.25	0.50
L	0.40	1.25
θ	0°	7°

Motorola reserves the right to make changes without further notice to any products herein. Motorola makes no warranty, representation or guarantee regarding the suitability of its products for any particular purpose, nor does Motorola assume any liability arising out of the application or use of any product or circuit, and specifically disclaims any and all liability, including without limitation consequential or incidental damages. "Typical" parameters which may be provided in Motorola data sheets and/or specifications can and do vary in different applications and actual performance may vary over time. All operating parameters, including "Typicals" must be validated for each customer application by customer's technical experts. Motorola does not convey any license under its patent rights nor the rights of others. Motorola products are not designed, intended, or authorized for use as components in systems intended for surgical implant into the body, or other applications intended to support or sustain life, or for any other application in which the failure of the Motorola product could create a situation where personal injury or death may occur. Should Buyer purchase or use Motorola products for any such unintended or unauthorized application, Buyer shall indemnify and hold Motorola and its officers, employees, subsidiaries, affiliates, and distributors harmless against all claims, costs, damages, and expenses, and reasonable attorney fees arising out of, directly or indirectly, any claim of personal injury or death associated with such unintended or unauthorized use, even if such claim alleges that Motorola was negligent regarding the design or manufacture of the part. Motorola and are registered trademarks of Motorola, Inc. Motorola, Inc. is an Equal Opportunity/Affirmative Action Employer.

Mfax is a trademark of Motorola, Inc.

How to reach us:

USA/EUROPE/Locations Not Listed: Motorola Literature Distribution;
 P.O. Box 5405, Denver, Colorado 80217. 1-303-675-2140 or 1-800-441-2447

JAPAN: Nippon Motorola Ltd.; SPD, Strategic Planning Office, 141,
 4-32-1 Nishi-Gotanda, Shinagawa-ku, Tokyo, Japan. 81-3-5487-8488

Customer Focus Center: 1-800-521-6274

Mfax™: RMFAX0@email.sps.mot.com – TOUCHTONE 1-602-244-6609
 Motorola Fax Back System – US & Canada ONLY 1-800-774-1848
 –http://sps.motorola.com/mfax/

ASIA/PACIFIC: Motorola Semiconductors H.K. Ltd.; 8B Tai Ping Industrial Park,
 51 Ting Kok Road, Tai Po, N.T., Hong Kong. 852-26629298

HOME PAGE: <http://motorola.com/sps/>



**For More Information On This Product,
 Go to: www.freescale.com**

MC13144/D

Freescale Semiconductor, Inc. ARCHIVED BY FREESCALE SEMICONDUCTOR, INC. 2005

ARCHIVE INFORMATION