



Product Preview

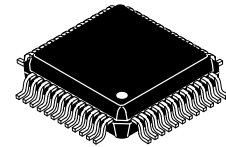
Low Power Integrated Receiver for ISM Band Applications

The MC13145 is a dual conversion integrated RF receiver intended for ISM band applications. It features a Low Noise Amplifier (LNA), two 50 Ω linear Mixers with linearity control, Voltage Controlled Oscillator (VCO), second LO amplifier, divide by 64/65 dual modulus Prescaler, split IF Amplifier and Limiter, RSSI output, Coilless FM/FSK Demodulator and power down control. Together with the transmit chip (MC13146) and the baseband chip (MC33410), a complete 900 MHz cordless phone system can be implemented. This device may be used in applications within 2.0 GHz since its RF bandwidth is greater than 2.4 GHz.

- Low (<1.8 dB @ 900 MHz) Noise Figure LNA with 14 dB Gain
- Externally Programmable Mixer linearity: IIP3 = 10(nom.) to +20 dBm (Mixer1); IIP3 = 10 (nom.) to 20 dBm (Mixer2)
- 50 Ω Mixer Input Impedance and Open Collector Output (Mixer 1 and Mixer 2); 50 Ω Second LO (LO2) Input Impedance
- Low Power 64/65 Dual Modulus Prescaler (MC12053 type)
- Split IF for Improved Filtering and Extended RSSI Range
- Internal 330 Ω Terminations for 10.7 MHz Filters
- Linear Coilless FM/FSK Demodulator with Externally Programmable Bandwidth, Center Frequency and Audio level
- 2.7 V to 6.5 V Operation, Low Current Drain (<30 mA @ 3.0 V) with Power Down Mode (<1.0 μ A)
- 2.4 GHz RF, 1.0 GHz IF1 and 50 MHz IF2 Bandwidth

MC13145

**UHF WIDEBAND
RECEIVER SUBSYSTEM
(LNA, Mixer, VCO, Prescaler,
IF Subsystem,
Coilless Detector)**



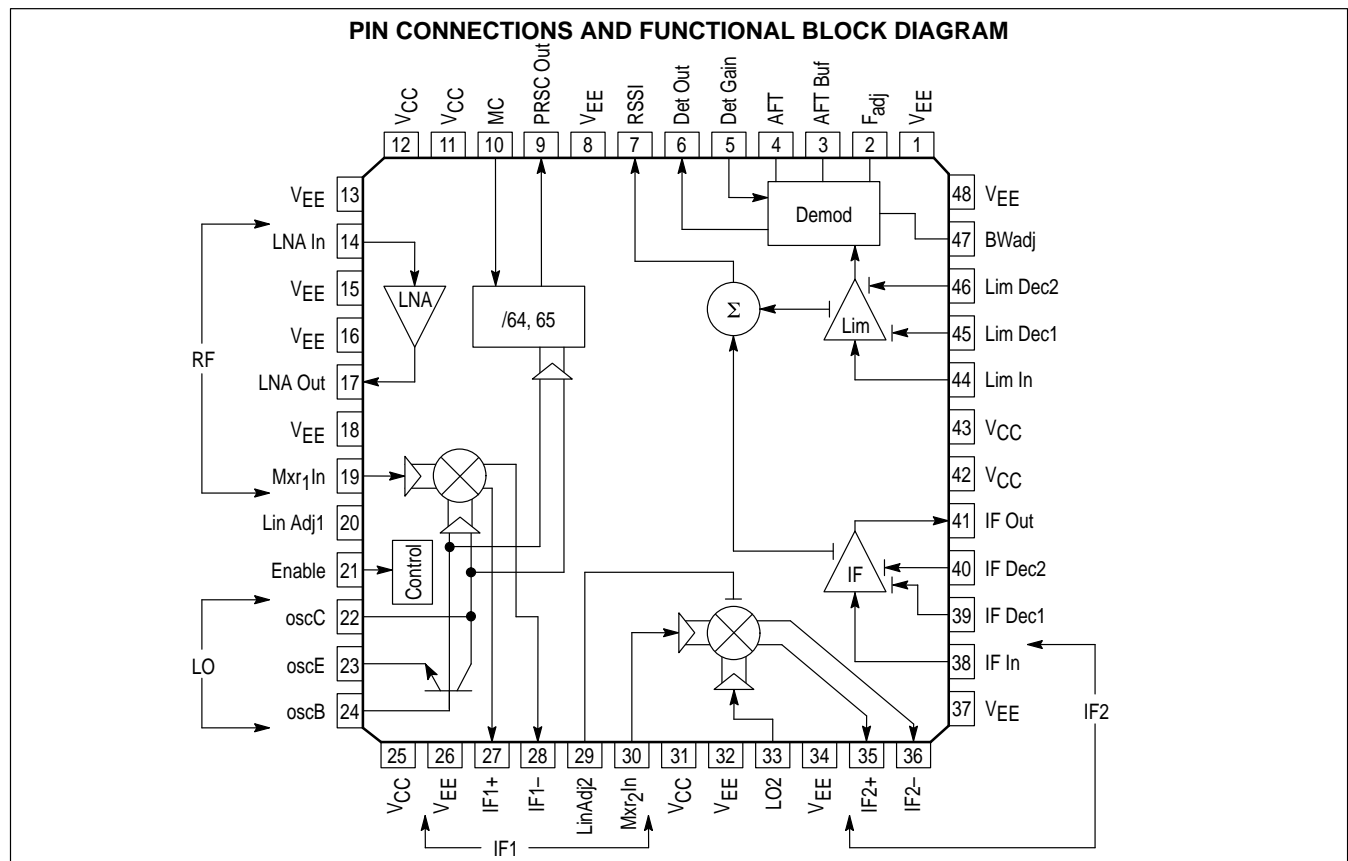
48 1

FTA SUFFIX
PLASTIC PACKAGE
CASE 932
(LQFP-48)

ORDERING INFORMATION

Device	Temperature Range	Package
XC13145FTA	-40° to +85°C	LQFP-48

ESD Sensitive — Handle with Care



MC13145

OVERALL RECEIVER SPECIFICATIONS

MAXIMUM RATINGS

Rating	Symbol	Value	Unit
Power Supply Voltage	$V_{CC(max)}$	7.0	Vdc
Junction Temperature	$T_J(max)$	150	°C
Storage Temperature Range	T_{stg}	-65 to +150	°C

RECOMMENDED OPERATING CONDITIONS

Rating	Symbol	Value	Unit
Power Supply Voltage ($T_A = 25^\circ\text{C}$)	V_{CC} V_{EE}	2.7 to 6.5 0	Vdc
Input Frequency	f_{in}	100 to 2000	MHz
Ambient Temperature Range	T_A	-40 to +85	°C
Maximum Input Signal Level: – with no damage – with minor performance degradation	P_{in}	5.0 -10	dBm

RECEIVER DC ELECTRICAL CHARACTERISTICS ($T_A = 25^\circ\text{C}$; $V_{CC} = 3.0$ Vdc; No Input Signal, unless otherwise noted)

Characteristics	Symbol	Typical	Unit
Total Supply Current (Enable = V_{CC})	I_{total}	30	mA
Power Down Current (Enable = V_{EE})	I_{total}	<1.0	μA

RECEIVER AC ELECTRICAL CHARACTERISTICS ($T_A = 25^\circ\text{C}$; $V_{CC} = 3.0$ Vdc; $F_{mod} = 1.0$ kHz; $F_{dev} = \pm 25$ kHz; IF filter bandwidth = 150 kHz, unless otherwise noted)

Characteristics	Symbol	Typical		Unit MHz
		900	1900	
12 dB SINAD Sensitivity (with C-message filter at DetOut)		-115	TBD	dBm
30 dB SINAD Sensitivity (No IF filter distortion within ± 40 kHz)		-100	TBD	dBm
SINAD Variation with IF Offset of ± 40 kHz (No IF filter distortion within ± 40 kHz)		5.0	TBD	dB
RSSI Dynamic Range		80	TBD	dB
Input 1.0 dB Compression Point (Measured at IF output)	P_{in-1dB}	-18	TBD	dBm
Input 3rd Order Intercept Point (Measured at IF output)	IIP3	-8.0	TBD	dBm
Demodulator Output Swing (5.0 k Load)		0.5	0.5	V_{pp}
Demodulator Bandwidth (± 1.0 dB bandwidth)		100	100	kHz
Prescaler Output Level (10 k Ω /8.0 pF load)		0.5	0.5	V_{pp}
Modulus Control Input Level		0.5	0.5	V_{pp}
SNR @ -30 dBm Signal Input (<25 kHz deviation; with C-Message Filter)		50	TBD	dB
Total Harmonic Distortion (<25 kHz deviation; with C-Message Filter)		1.0	TBD	%
Spurious Response SINAD (RF In: -50 dBm)		12	TBD	dB

MC13145

INDIVIDUAL BLOCK SPECIFICATIONS

LOW NOISE AMPLIFIER ELECTRICAL CHARACTERISTICS (T_A = 25°C; V_{CC} = 3.0 Vdc, unless otherwise noted)

Characteristics	Symbol	Typical		Unit MHz
		900	1900	
Amplifier Gain	S21	14	TBD	dB
Noise Figure	NF	1.8	TBD	dB
1.0 dB Gain Compression Point	P _{in-1dB}	-8.0	TBD	dBm
3rd Order Intercept Point	IIP3	-5.0	TBD	dBm
Reverse Isolation	S12	-35	TBD	dB
Input Impedance (with externals)		50	50	Ω
Output Impedance (with externals)		50	50	Ω
Input Match (with externals)	S11	15	TBD	dB
Output Match (with externals)	S22	15	TBD	dB
LO1 to LNA Input Leakage		-45	TBD	dBm

FIRST MIXER ELECTRICAL CHARACTERISTICS (T_A = 25°C; V_{CC} = 3.0 Vdc, unless otherwise noted)

Characteristics	Symbol	Typical		Unit MHz
		900	1900	
Power Conversion Gain (P _{in} = -30 dBm)	P _{gc}	0	TBD	dB
Noise Figure	NF	13	TBD	dB
1.0 dB Gain Compression Point	P _{in-1dB}	-1.0	TBD	dBm
3rd Order Intercept Point	IIP3	9.0	TBD	dBm
Input Impedance (single-ended)		50	50	Ω
Output Impedance (differential with externals)		50	50	Ω
Input Match		20	TBD	dB
Output Match (with externals)		20	TBD	dB
RF to IF1 Leakage		-38	TBD	dB
LO to IF1 Leakage		-33	TBD	dBm
LO to RF Leakage		-33	TBD	dBm
Mixer Out to IF in Leakage		-80	TBD	dB

SECOND MIXER ELECTRICAL CHARACTERISTICS (T_A = 25°C; V_{CC} = 3.0 Vdc, unless otherwise noted)

Characteristics	Symbol	Typical	Unit
Noise Figure	NF	13	dB
1.0 dB Gain Compression Point	P _{in-1dB}	-1.0	dBm
3rd Order Intercept Point	IIP3	9.0	dBm
Input Impedance (single-ended)		50	Ω
Output Impedance (differential with externals)		330	Ω
Input Match		20	dB
Output Match (with externals)		20	dB

MC13145

INDIVIDUAL BLOCK SPECIFICATIONS (continued)

LOCAL OSCILLATOR ELECTRICAL CHARACTERISTICS ($T_A = 25^\circ\text{C}$; $V_{CC} = 3.0\text{ Vdc}$, unless otherwise noted)

Characteristics	Symbol	Typical		Unit MHz
		900	1900	
LO Emitter Current (Enable = high)		2.0	TBD	mA
Phase Noise @ 10 kHz Offset		-80	-75	dBc/Hz
Modulation Sideband		-40	TBD	dBc

PRESCALAR ELECTRICAL CHARACTERISTICS ($T_A = 25^\circ\text{C}$; $V_{CC} = 3.0\text{ Vdc}$, unless otherwise noted)

Characteristics	Symbol	Typical		Unit MHz
		900	1900	
Divide Ratio – MC = low – MC = high		65 64	65 64	
Output Impedance		50	50	Ω
Prescaler Output Level (10 k Ω /8pF load)		0.5	0.5	V _{pp}
MC Input Level		0.5	0.5	V _{pp}
MC Current Input (optional)		200	200	μA_{pp}
Prescaler Out to IF Amp and Lim Amp Input Leakage		-85	TBD	dBm

IF AND LIMITING AMPLIFIERS ELECTRICAL CHARACTERISTICS ($T_A = 25^\circ\text{C}$; $V_{CC} = 3.0\text{ Vdc}$, unless otherwise noted)

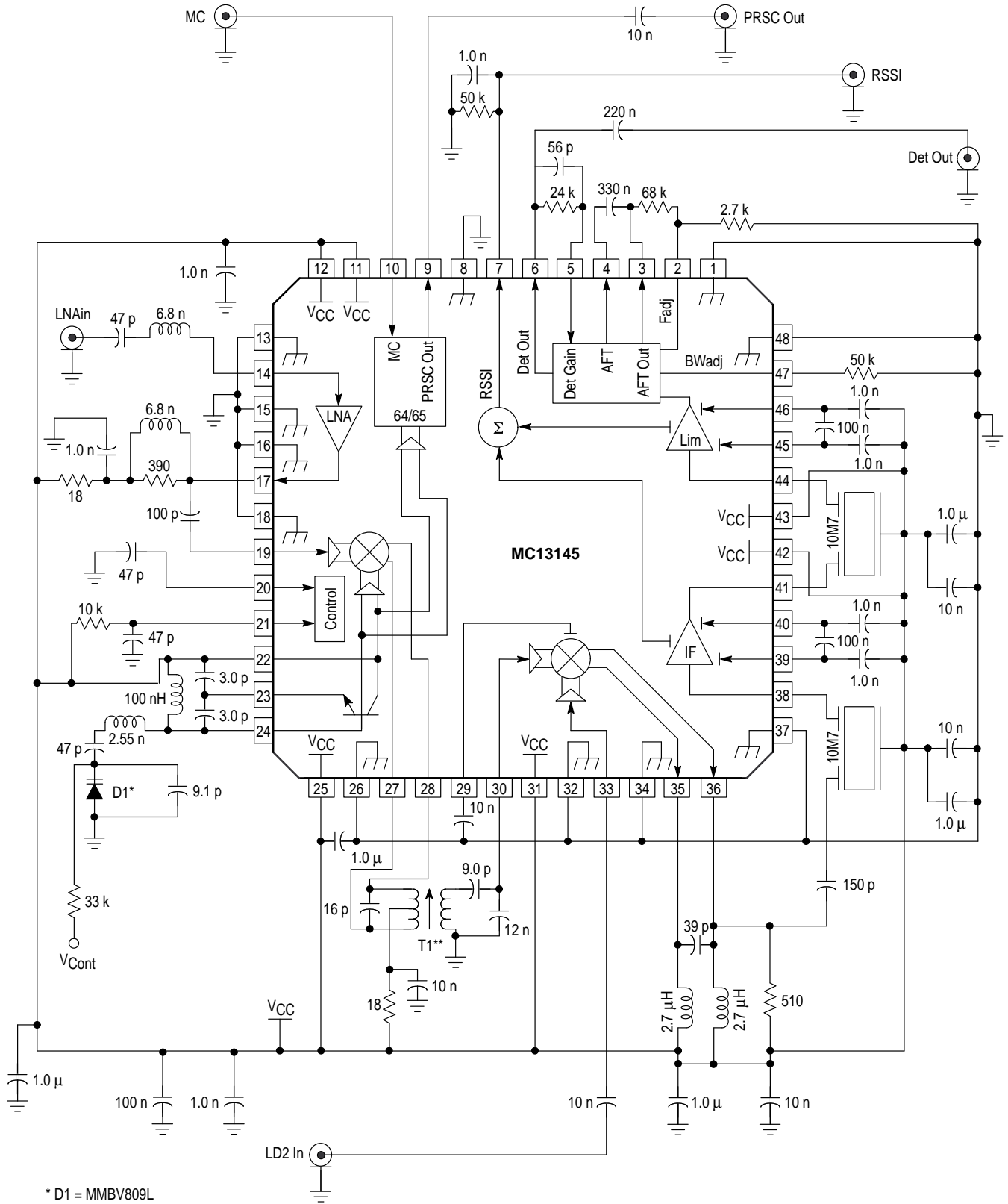
Characteristics	Symbol	Typical	Unit
IF and Lim Amplifier Bandwidth		40	MHz
IF Amplifier Gain		40	dB
IF Amplifier Noise Figure		7.0	dB
IF Input & Output Impedance		330	Ω
IF Amp Input & Output Match		20	dB
Limiting Amplifier Gain		85	dB
Lim Amp Input Impedance		330	Ω
Lim Amp Input Match		15	dB
IF Amp Output to Lim Amp Input Leakage (at 10.7 MHz)		80	dB
RSSI Dynamic Range		80	dB
RSSI Slope		0.5	$\mu\text{A}/\text{dB}$
RSSI Current Range		0 to 40	μA
RSSI Response Time		1.0	μs

COILLESS DEMODULATOR ELECTRICAL CHARACTERISTICS ($T_A = 25^\circ\text{C}$; $V_{CC} = 3.0\text{ Vdc}$, unless otherwise noted)

Characteristics	Symbol	Typical	Unit
Demodulator Output (at 25 kHz deviation)	DetOut	0.5	V _{pp}
Center Frequency		10.7	MHz
Frequency Adjust		< 20	MHz
Bandwidth Adjust		100 to 600	kHz
Output Impedance		2000	Ω
Settling Time (assert Enable pin)		TBD	ms

MC13145

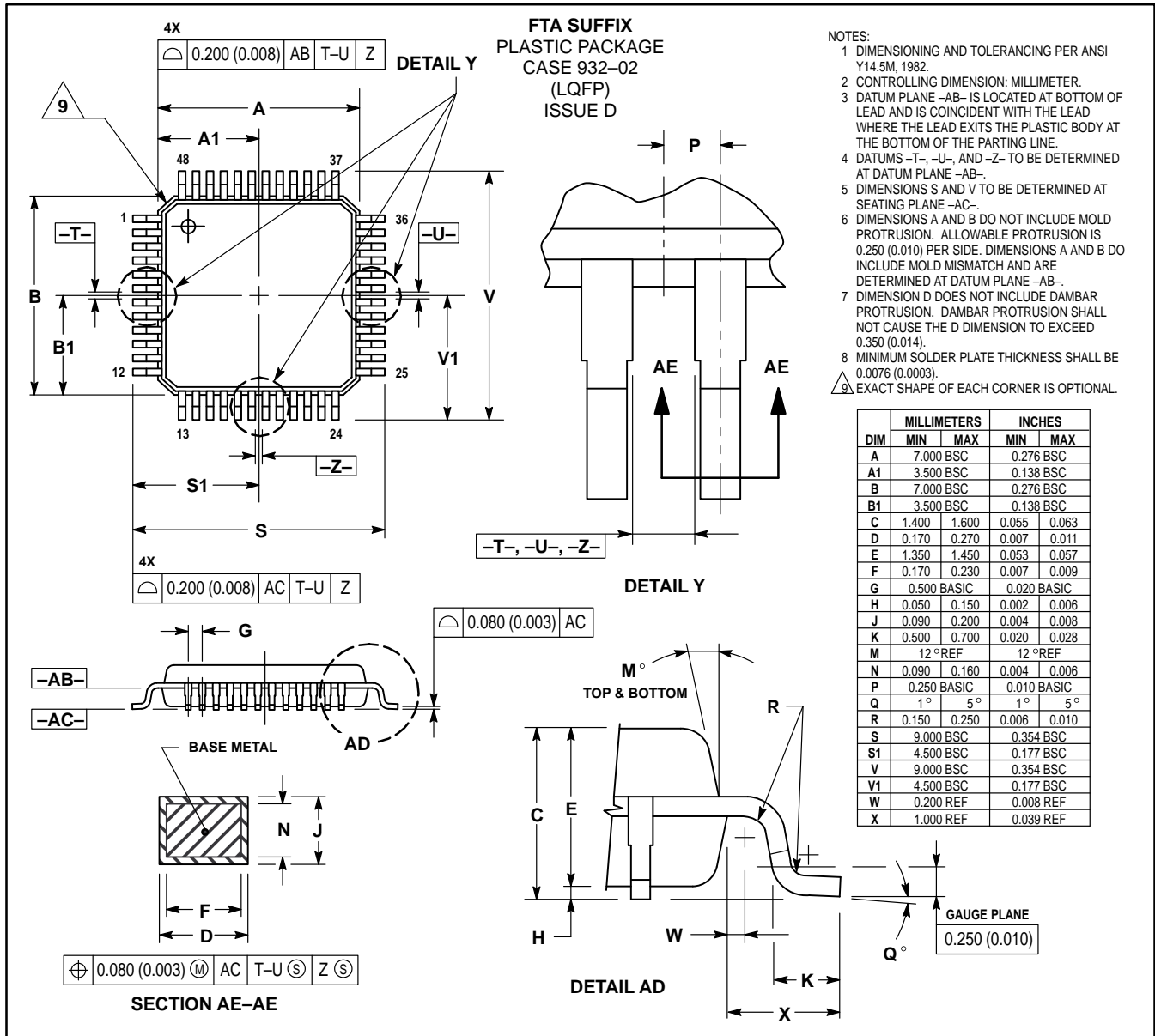
Figure 1. Application Diagram



* D1 = MMBV809L
 **T1 = Toko Part # 600ENAS-A998EK

MC13145

OUTLINE DIMENSIONS



Motorola reserves the right to make changes without further notice to any products herein. Motorola makes no warranty, representation or guarantee regarding the suitability of its products for any particular purpose, nor does Motorola assume any liability arising out of the application or use of any product or circuit, and specifically disclaims any and all liability, including without limitation consequential or incidental damages. "Typical" parameters which may be provided in Motorola data sheets and/or specifications can and do vary in different applications and actual performance may vary over time. All operating parameters, including "Typicals" must be validated for each customer application by customer's technical experts. Motorola does not convey any license under its patent rights nor the rights of others. Motorola products are not designed, intended, or authorized for use as components in systems intended for surgical implant into the body, or other applications intended to support or sustain life, or for any other application in which the failure of the Motorola product could create a situation where personal injury or death may occur. Should Buyer purchase or use Motorola products for any such unintended or unauthorized application, Buyer shall indemnify and hold Motorola and its officers, employees, subsidiaries, affiliates, and distributors harmless against all claims, costs, damages, and expenses, and reasonable attorney fees arising out of, directly or indirectly, any claim of personal injury or death associated with such unintended or unauthorized use, even if such claim alleges that Motorola was negligent regarding the design or manufacture of the part. Motorola and are registered trademarks of Motorola, Inc. Motorola, Inc. is an Equal Opportunity/Affirmative Action Employer.

Mfax is a trademark of Motorola, Inc.

How to reach us:

USA/EUROPE/Locations Not Listed: Motorola Literature Distribution; P.O. Box 5405, Denver, Colorado 80217. 1-303-675-2140 or 1-800-441-2447

JAPAN: Nippon Motorola Ltd.: SPD, Strategic Planning Office, 141, 4-32-1 Nishi-Gotanda, Shagawa-ku, Tokyo, Japan. 03-5487-8488

Customer Focus Center: 1-800-521-6274

Mfax™: RMFAX0@email.sps.mot.com – TOUCHTONE 1-602-244-6609
 Motorola Fax Back System – US & Canada ONLY 1-800-774-1848
 – http://sps.motorola.com/mfax/

ASIA/PACIFIC: Motorola Semiconductors H.K. Ltd.; 8B Tai Ping Industrial Park, 51 Ting Kok Road, Tai Po, N.T., Hong Kong. 852-26629298

HOME PAGE: http://motorola.com/sps/

