

MC34067 MC33067

High Performance Resonant Mode Controllers

The MC34067/MC33067 are high performance zero voltage switch resonant mode controllers designed for off-line and dc-to-dc converter applications that utilize frequency modulated constant off-time or constant deadtime control. These integrated circuits feature a variable frequency oscillator, a precise retriggerable one-shot timer, temperature compensated reference, high gain wide bandwidth error amplifier, steering flip-flop, and dual high current totem pole outputs ideally suited for driving power MOSFETs.

Also included are protective features consisting of a high speed fault comparator and latch, programmable soft-start circuitry, input undervoltage lockout with selectable thresholds, and reference undervoltage lockout.

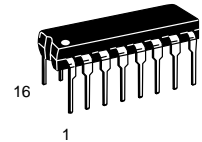
These devices are available in dual-in-line and surface mount packages.

- Zero Voltage Switch Resonant Mode Operation
- Variable Frequency Oscillator with a Control Range Exceeding 1000:1
- Precision One-Shot Timer for Controlled Off-Time
- Internally Trimmed Bandgap Reference
- 4.0 MHz Error Amplifier
- Dual High Current Totem Pole Outputs
- Selectable Undervoltage Lockout Thresholds with Hysteresis
- Enable Input
- Programmable Soft-Start Circuitry
- Low Startup Current for Off-Line Operation

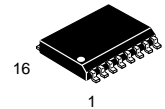
HIGH PERFORMANCE ZERO VOLTAGE SWITCH RESONANT MODE CONTROLLERS

SEMICONDUCTOR TECHNICAL DATA

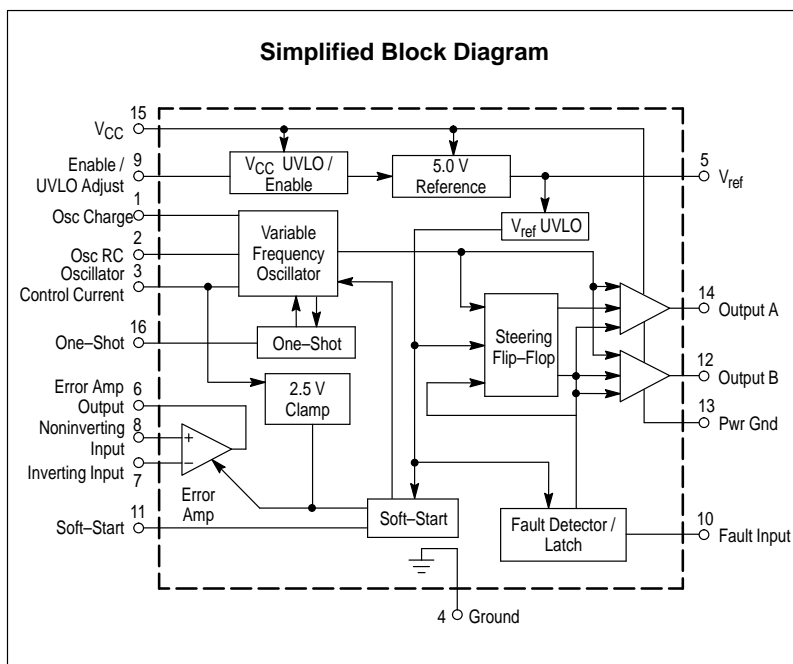
P SUFFIX
PLASTIC PACKAGE
CASE 648



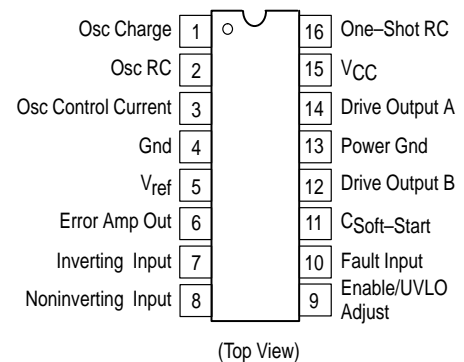
DW SUFFIX
PLASTIC PACKAGE
CASE 751G
(SO-16L)



Simplified Block Diagram



PIN CONNECTIONS



ORDERING INFORMATION

Device	Operating Temperature Range	Package
MC34067DW	$T_A = 0 \text{ to } +70^\circ\text{C}$	SO-16L
MC34067P		Plastic DIP
MC33067DW	$T_A = -40^\circ \text{ to } +85^\circ\text{C}$	SO-16L
MC33067P		Plastic DIP

MC34067 MC33067

MAXIMUM RATINGS

Rating	Symbol	Value	Unit
Power Supply Voltage	V_{CC}	20	V
Drive Output Current, Source or Sink (Note 1) Continuous Pulsed (0.5 μ s, 25% Duty Cycle)	I_O	0.3 1.5	A
Error Amplifier, Fault, One-Shot, Oscillator and Soft-Start Inputs	V_{in}	- 1.0 to + 6.0	V
UVLO Adjust Input	$V_{in}(UVLO)$	- 1.0 to V_{CC}	V
Power Dissipation and Thermal Characteristics DW Suffix, Plastic Package, Case 751G $T_A = 25^\circ\text{C}$ Thermal Resistance, Junction-to-Air P Suffix, Plastic Package, Case 648 $T_A = 25^\circ\text{C}$ Thermal Resistance, Junction-to-Air	P_D $R_{\theta JA}$ P_D $R_{\theta JA}$	862 145 1.25 100	mW $^\circ\text{C/W}$ W $^\circ\text{C/W}$
Operating Junction Temperature	T_J	+ 150	$^\circ\text{C}$
Operating Ambient Temperature MC34067 MC33067	T_A	0 to + 70 - 40 to + 85	$^\circ\text{C}$
Storage Temperature	T_{stg}	- 55 to + 150	$^\circ\text{C}$

ELECTRICAL CHARACTERISTICS ($V_{CC} = 12\text{ V}$ [Note 2], $R_{OSC} = 18.2\text{ k}$, $R_{VFO} = 2940$, $C_{OSC} = 300\text{ pF}$, $R_T = 2370\text{ k}$, $C_T = 300\text{ pF}$, $C_L = 1.0\text{ nF}$. For typical values $T_A = 25^\circ\text{C}$, for min/max values T_A is the operating ambient temperature range that applies [Note 3], unless otherwise noted.)

Characteristic	Symbol	Min	Typ	Max	Unit
REFERENCE SECTION					
Reference Output Voltage ($I_O = 0\text{ mA}$, $T_J = 25^\circ\text{C}$)	V_{ref}	5.0	5.1	5.2	V
Line Regulation ($V_{CC} = 10\text{ TO }18\text{ V}$)	Reg_{line}	-	1.0	20	mV
Load Regulation ($I_O = 0\text{ mA to }10\text{ mA}$)	Reg_{load}	-	1.0	20	mV
Total Output Variation Over Line, Load, and Temperature	V_{ref}	4.9	-	5.3	V
Output Short Circuit Current	I_O	25	100	190	mA
Reference Undervoltage Lockout Threshold	V_{th}	3.8	4.3	4.8	V

ERROR AMPLIFIER

Input Offset Voltage ($V_{CM} = 1.5\text{ V}$)	V_{IO}	-	1.0	10	mV
Input Bias Current ($V_{CM} = 1.5\text{ V}$)	I_{IB}	-	0.2	1.0	μA
Input Offset Current ($V_{CM} = 1.5\text{ V}$)	I_{IO}	-	0	0.5	μA
Open Loop Voltage Gain ($V_{CM} = 1.5\text{ V}$, $V_O = 2.0\text{ V}$)	A_{VOL}	70	100	-	dB
Gain Bandwidth Product ($f = 100\text{ kHz}$)	GBW	3.0	5.0	-	MHz
Input Common Mode Rejection Ratio ($V_{CM} = 1.5\text{ to }5.0\text{ V}$)	CMR	70	95	-	dB
Power Supply Rejection Ratio ($V_{CC} = 10\text{ to }18\text{ V}$, $f = 120\text{ Hz}$)	PSR	80	100	-	dB
Output Voltage Swing High State Low State	V_{OH} V_{OL}	2.8 -	3.2 0.6	- 0.8	V

- NOTES:**
- Maximum package power dissipation limits must be observed.
 - Adjust V_{CC} above the Startup threshold before setting to 12 V.
 - Low duty cycle pulse techniques are used during test to maintain junction temperature as close to ambient as possible.
 $T_{low} = 0^\circ\text{C}$ for the MC34067
 $T_{low} = -40^\circ\text{C}$ for the MC33067
 $T_{high} = +70^\circ\text{C}$ for MC34067
 $T_{high} = +85^\circ\text{C}$ for MC33067

MC34067 MC33067

ELECTRICAL CHARACTERISTICS ($V_{CC} = 12\text{ V}$ [Note 2], $R_{OSC} = 18.2\text{ k}$, $R_{VFO} = 2940$, $C_{OSC} = 300\text{ pF}$, $R_T = 2370\text{ k}$, $C_T = 300\text{ pF}$, $C_L = 1.0\text{ nF}$. For typical values $T_A = 25^\circ\text{C}$, for min/max values T_A is the operating ambient temperature range that applies [Note 3], unless otherwise noted.)

Characteristic	Symbol	Min	Typ	Max	Unit
----------------	--------	-----	-----	-----	------

OSCILLATOR

Frequency (Error Amp Output Low) $T_A = 25^\circ\text{C}$ Total Variation ($V_{CC} = 10\text{ to }18\text{ V}$, $T_A = T_{Low}\text{ to }T_{High}$)	$f_{OSC(low)}$	500 490	525 –	540 550	kHz
Frequency (Error Amp Output High) $T_A = 25^\circ\text{C}$ Total Variation ($V_{CC} = 10\text{ to }18\text{ V}$, $T_A = T_{Low}\text{ to }T_{High}$)	$f_{OSC(high)}$	1900 1850	2050 –	2150 2200	kHz
Oscillator Control Input Voltage, Pin 3 @ 25°C	V_{in}	–	2.5	–	V

ONE-SHOT

Drive Output Off-Time $T_A = 25^\circ\text{C}$ Total Variation ($V_{CC} = 10\text{ to }18\text{ V}$, $T_A = T_{Low}\text{ to }T_{High}$)	t_{Blank}	235 225	250 –	270 280	ns
---	-------------	------------	----------	------------	----

DRIVE OUTPUTS

Output Voltage Low State ($I_{Sink} = 20\text{ mA}$) ($I_{Sink} = 200\text{ mA}$) High State ($I_{Source} = 20\text{ mA}$) ($I_{Source} = 200\text{ mA}$)	V_{OL} V_{OH}	– – 9.5 9.0	0.8 1.5 10.3 9.7	1.2 2.0 – –	V
Output Voltage with UVLO Activated ($V_{CC} = 6.0\text{ V}$, $I_{Sink} = 1.0\text{ mA}$)	$V_{OL(UVLO)}$	–	0.8	1.2	V
Output Voltage Rise Time ($C_L = 1.0\text{ nF}$)	t_r	–	20	50	ns
Output Voltage Fall Time ($C_L = 1.0\text{ nF}$)	t_f	–	15	50	ns

FAULT COMPARATOR

Input Threshold	V_{th}	0.93	1.0	1.07	V
Input Bias Current ($V_{Pin\ 10} = 0\text{ V}$)	I_{IB}	–	–2.0	–10	μA
Propagation Delay to Drive Outputs (100 mV Overdrive)	$t_{PLH(In/Out)}$	–	60	100	ns

SOFT-START

Capacitor Charge Current ($V_{Pin\ 11} = 2.5\text{ V}$)	I_{chg}	4.5	9.0	14	μA
Capacitor Discharge Current ($V_{Pin\ 11} = 2.5\text{ V}$)	I_{dischg}	3.0	8.0	–	mA

UNDERVOLTAGE LOCKOUT

Startup Threshold, V_{CC} Increasing Enable/UVLO Adjust Pin Open Enable/UVLO Adjust Pin Connected to V_{CC}	$V_{th(UVLO)}$	14.8 8.0	16 9.0	17.2 10	V
Minimum Operating Voltage After Turn-On Enable/UVLO Adjust Pin Open Enable/UVLO Adjust Pin Connected to V_{CC}	$V_{CC(min)}$	8.0 7.6	9.0 8.6	10 9.6	V
Enable/UVLO Adjust Shutdown Threshold Voltage	$V_{th(Enable)}$	6.0	7.0	–	V
Enable/UVLO Adjust Input Current (Pin 9 = 0 V)	$I_{in(Enable)}$	–	–0.2	–1.0	mA

TOTAL DEVICE

Power Supply Current (Enable/UVLO Adjust Pin Open) Startup ($V_{CC} = 13.5\text{ V}$) Operating ($f_{OSC} = 500\text{ kHz}$) (Note 2)	I_{CC}	– –	0.5 27	0.8 35	mA
---	----------	--------	-----------	-----------	----

- NOTES:**
- Maximum package power dissipation limits must be observed.
 - Adjust V_{CC} above the Startup threshold before setting to 12 V.
 - Low duty cycle pulse techniques are used during test to maintain junction temperature as close to ambient as possible.
 $T_{low} = 0^\circ\text{C}$ for the MC34067
 $T_{low} = -40^\circ\text{C}$ for the MC33067
 $T_{high} = +70^\circ\text{C}$ for MC34067
 $T_{high} = +85^\circ\text{C}$ for MC33067

Figure 1. Oscillator Timing Resistor versus Discharge Time

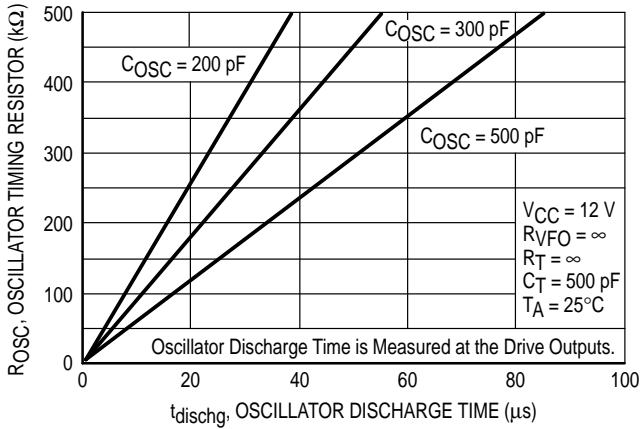


Figure 2. Oscillator Frequency versus Oscillator Control Current

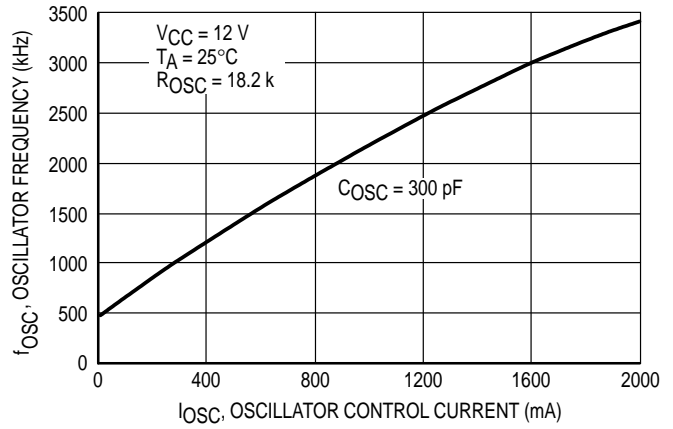


Figure 3. Error Amp Output Saturation Voltage versus Oscillator Control Current

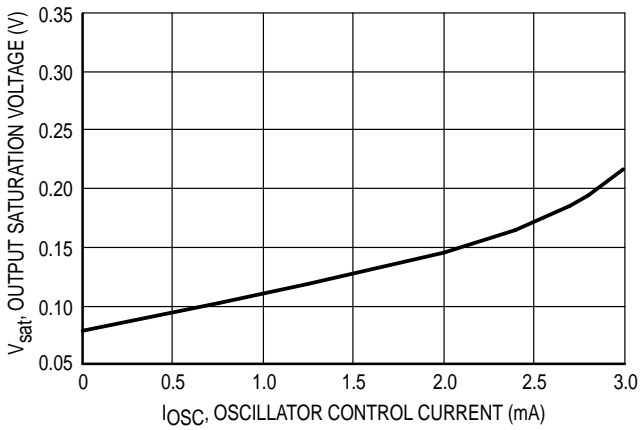


Figure 4. One-Shot Timing Resistor versus Period

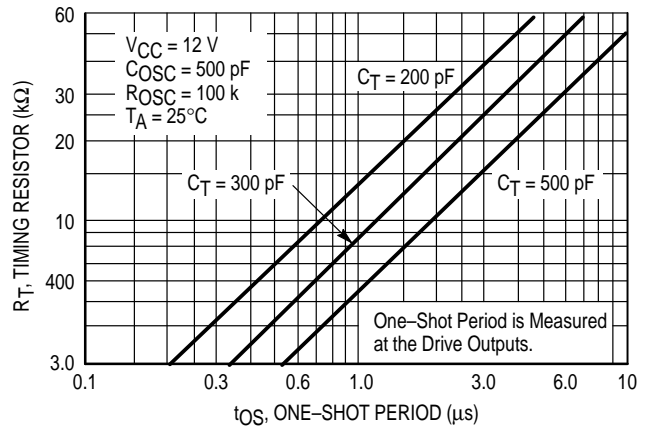


Figure 5. Open Loop Voltage Gain and Phase versus Frequency

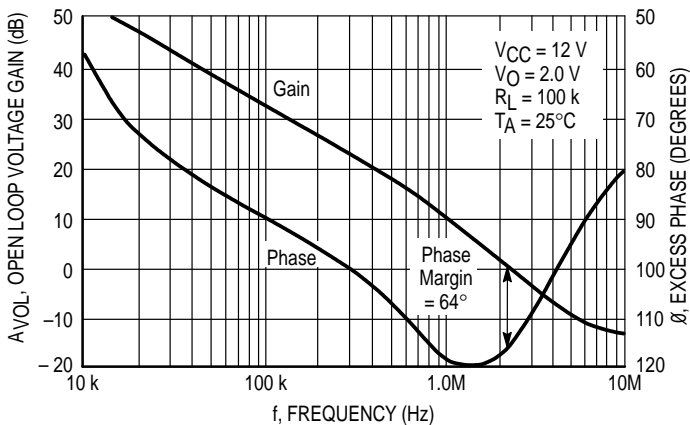


Figure 6. Reference Output Voltage Change versus Temperature

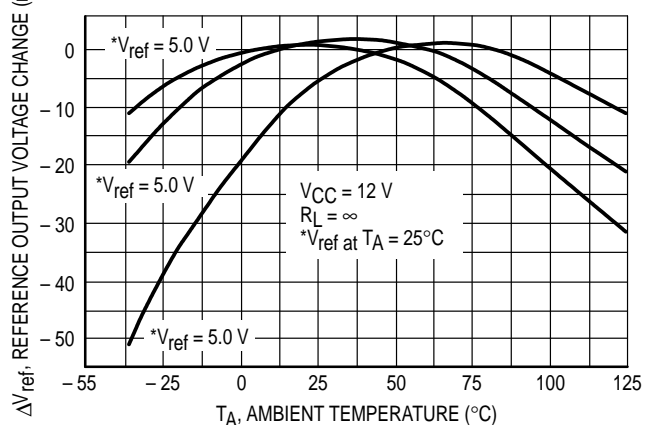


Figure 7. Reference Voltage Change versus Source Current

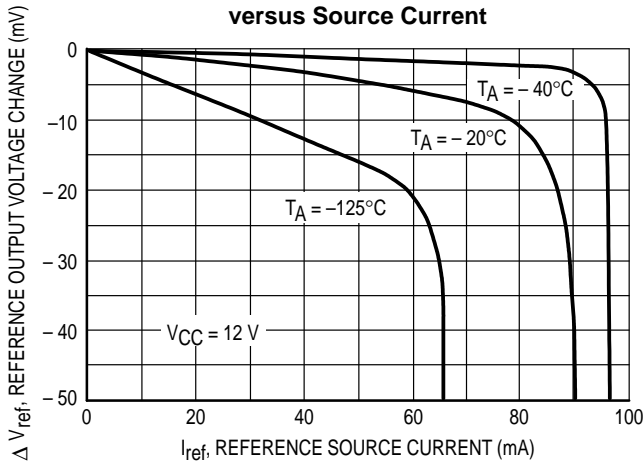


Figure 8. Drive Output Saturation Voltage versus Load Current

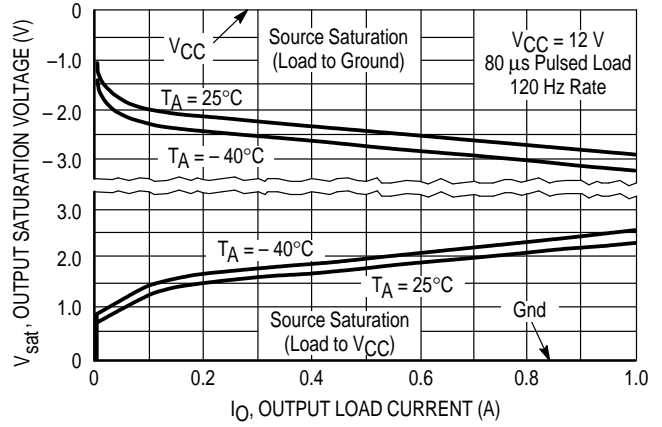


Figure 9. Drive Output Waveform

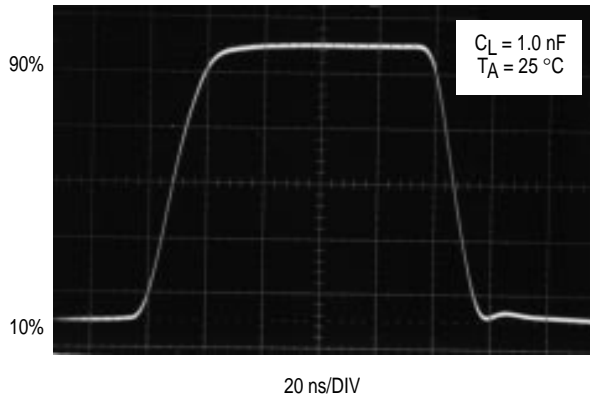


Figure 10. Soft-Start Saturation Voltage versus Capacitor Discharge Current

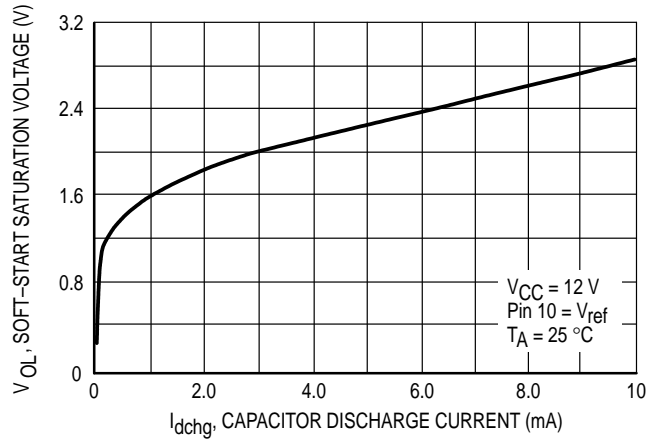


Figure 11. Operating Frequency versus Supply Current

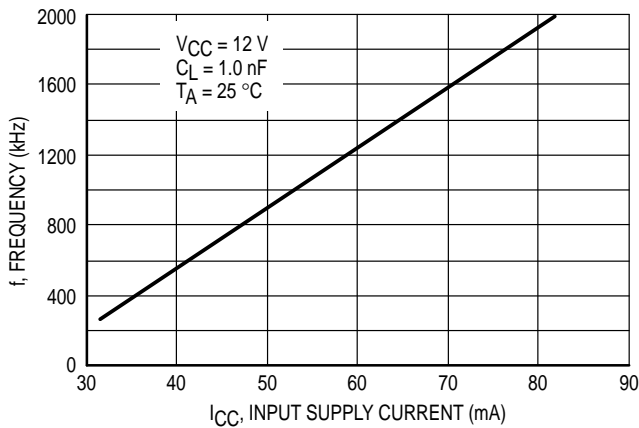
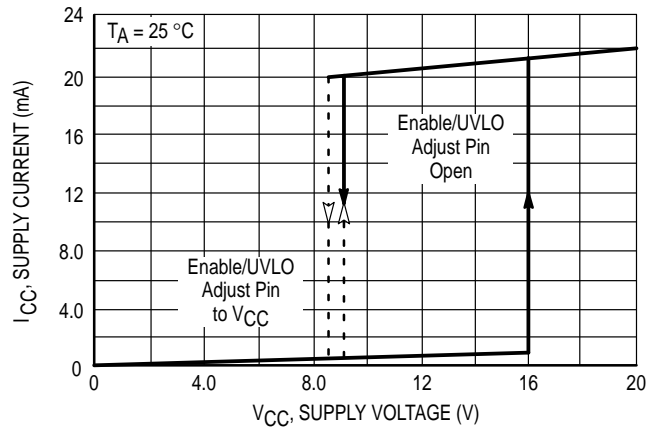
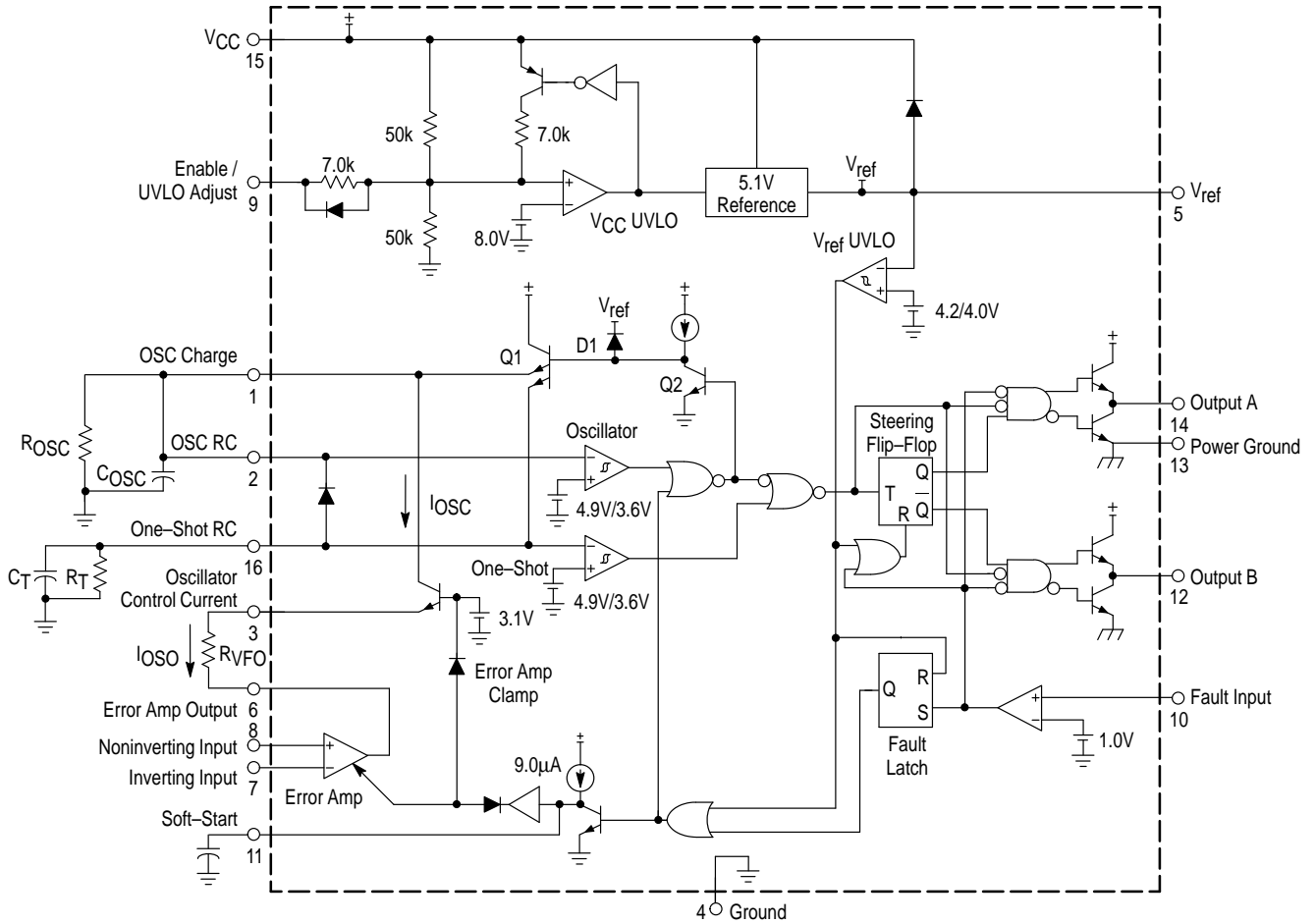


Figure 12. Supply Current versus Supply Voltage

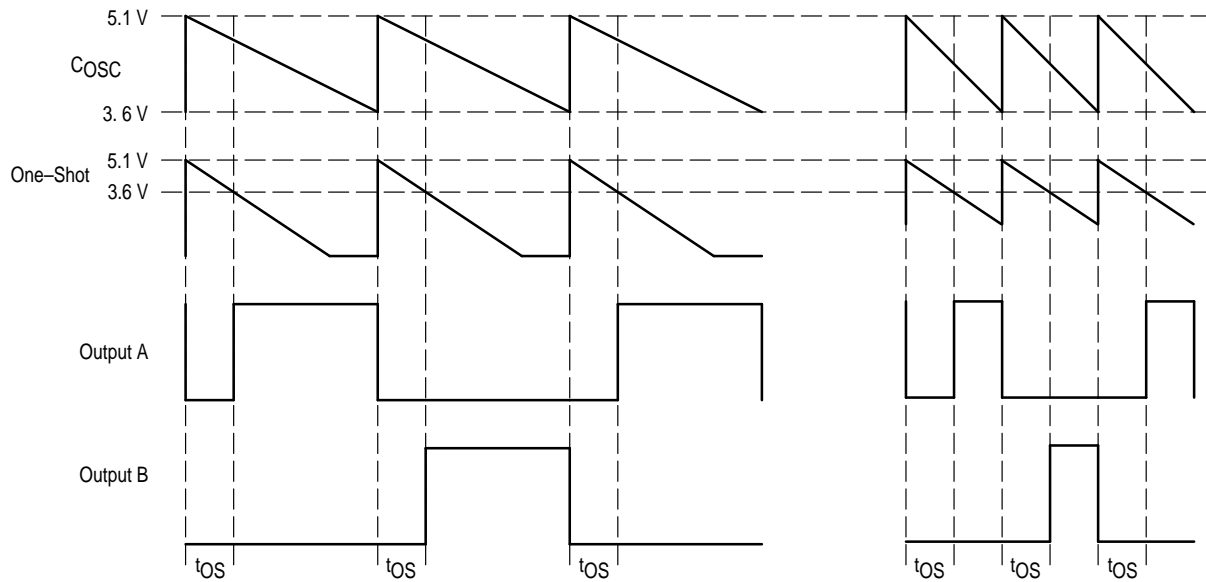


MC34067 MC33067

Figure 13. MC34067 Representative Block Diagram



Timing Diagram



Error Amp output high, minimum I_{OSC} current occurring at minimum input voltage, maximum load.

Error Amp output low, maximum I_{OSC} current occurring at maximum input voltage, minimum load.

MC34067 MC33067

OPERATING DESCRIPTION

Introduction

As power supply designers have strived to increase power conversion efficiency and reduce passive component size, high frequency resonant mode power converters have emerged as attractive alternatives to conventional pulse-width modulated control. When compared to pulse-width modulated converters, resonant mode control offers several benefits including lower switching losses, higher efficiency, lower EMI emission, and smaller size. A new integrated circuit has been developed to support this trend in power supply design. The MC34067 Resonant Mode Controller is a high performance bipolar IC dedicated to variable frequency power control at frequencies exceeding 1.0 MHz. This integrated circuit provides the features and performance specifically for zero voltage switching resonant mode power supply applications.

The primary purpose of the control chip is to provide a fixed off-time to the gates of external power MOSFETs at a repetition rate regulated by a feedback control loop. Additional features of the IC ensure that system startup and fault conditions are administered in a safe, controlled manner.

A simplified block diagram of the IC is shown on the front page, which identifies the main functional blocks and the block-to-block interconnects. Figure 13 is a detailed functional diagram which accurately represents the internal circuitry. The various functions can be divided into two sections. The first section includes the primary control path which produces precise output pulses at the desired frequency. Included in this section are a variable frequency Oscillator, a One-Shot, a pulse Steering Flip-Flop, a pair of power MOSFET Drivers, and a wide bandwidth Error Amplifier. The second section provides several peripheral support functions including a voltage reference, undervoltage lockout, Soft-Start circuit, and a fault detector.

Primary Control Path

The output pulse width and repetition rate are regulated through the interaction of the variable frequency Oscillator, One-Shot timer and Error Amplifier. The Oscillator triggers the One-Shot which generates a pulse that is alternately steered to a pair of totem pole output drivers by a toggle Flip-Flop. The Error Amplifier monitors the output of the regulator and modulates the frequency of the Oscillator. High speed Schottky logic is used throughout the primary control channel to minimize delays and enhance high frequency characteristics.

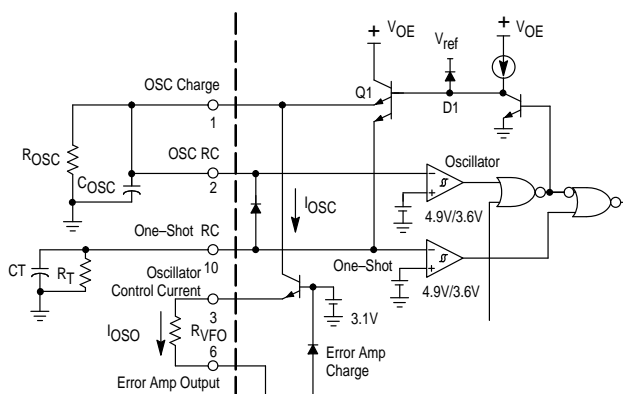
Oscillator

The characteristics of the variable frequency Oscillator are crucial for precise controller performance at high operating frequencies. In addition to triggering the One-Shot timer and initiating the output deadtime, the oscillator also determines the initial voltage for the one-shot capacitor. The Oscillator is designed to operate at frequencies exceeding 1.0 MHz. The Error Amplifier can control the oscillator frequency over a 1000:1 frequency range, and both the minimum and maximum frequencies are easily and accurately programmed by the proper selection of external components.

The functional diagram of the Oscillator and One-Shot timer is shown in Figure 14. The oscillator capacitor (C_{OSC}) is initially charged by transistor Q1. When C_{OSC} exceeds the 4.9 V upper threshold of the oscillator comparator, the base of Q1 is pulled low allowing C_{OSC} to discharge through the external resistor, (R_{OSC}), and the oscillator control current, (I_{OSC}). When the voltage on C_{OSC} falls below the comparator's 3.6 V lower threshold, Q1 turns on and again charges C_{OSC} .

C_{OSC} charges from 3.6 V to 5.1 V in less than 50 ns. The high slew rate of C_{OSC} and the propagation delay of the comparator make it difficult to control the peak voltage. This accuracy issue is overcome by clamping the base of Q1 through a diode to a voltage reference. The peak voltage of the oscillator waveform is thereby precisely set at 5.1 V.

Figure 14. Oscillator and One-Shot Timer



The frequency of the Oscillator is modulated by varying the current flowing out of the Oscillator Control Current (I_{OSC}) pin. The I_{OSC} pin is the output of a voltage regulator. The input of the voltage regulator is tied to the variable frequency oscillator. The discharge current of the Oscillator increases by increasing the current out of the I_{OSC} pin. Resistor R_{VFO} is used in conjunction with the Error Amp output to change the I_{OSC} current. Maximum frequency occurs when the Error Amplifier output is at its low state with a saturation voltage of 0.1 V at 1.0 mA.

The minimum oscillator frequency will result when the I_{OSC} current is zero, and C_{OSC} is discharged through the external resistor (R_{OSC}). This occurs when the Error Amplifier output is at its high state of 2.5 V. The minimum and maximum oscillator frequencies are programmed by the proper selection of resistor R_{OSC} and R_{VFO} . The minimum frequency is programmed by R_{OSC} using Equation 1:

$$R_{OSC} = \frac{1}{f_{(min)} - t_{PD}} = \frac{t_{(max)} - 70 \text{ ns}}{0.348 C_{OSC}} \quad (1)$$

where t_{PD} is the internal propagation delay.

The maximum oscillator frequency is set by the current through resistor R_{VFO} . The current required to discharge C_{OSC} at the maximum oscillator frequency can be calculated by Equation 2:

$$I_{(max)} = C_{OSC} \frac{5.1 - 3.6}{\frac{1}{f_{(max)}}} = 1.5 C_{OSC} f_{(max)} \quad (2)$$

The discharge current through R_{OSC} must also be known and can be calculated by Equation 3:

$$I_{R_{OSC}} = \frac{5.1 - 3.6}{R_{OSC}} \epsilon \left(-\frac{1}{R_{OSC} C_{OSC} f_{(min)}} \right) \quad (3)$$

$$= \frac{1.5}{R_{OSC}} \epsilon \left(-\frac{1}{f_{(min)} R_{OSC} C_{OSC}} \right)$$

Resistor R_{VFO} can now be calculated by Equation 4:

$$R_{VFO} = \frac{2.5 - V_{EA sat}}{I_{(max)} - I_{R_{OSC}}} \quad (4)$$

One-Shot Timer

The One-Shot is designed to disable both outputs simultaneously providing a deadtime before either output is enabled. The One-Shot capacitor (C_T) is charged concurrently with the oscillator capacitor by transistor Q1, as shown in Figure 14. The one-shot period begins when the oscillator comparator turns off Q1, allowing C_T to discharge. The period ends when resistor R_T discharges C_T to the threshold of the One-Shot comparator. The lower threshold of the One-Shot is 3.6 V. By choosing C_T , R_T can be solved by Equation 5:

$$R_T = \frac{t_{OS}}{C_T \ln \left(\frac{5.1}{3.6} \right)} = \frac{t_{OS}}{0.348 C_T} \quad (5)$$

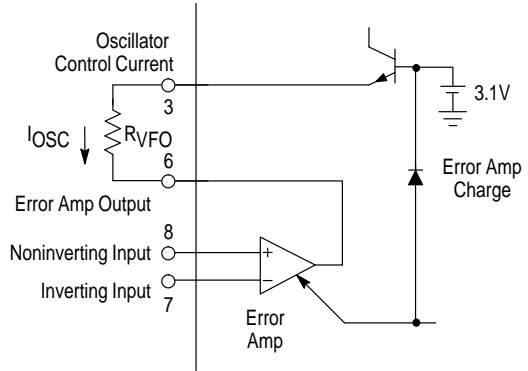
Errors in the threshold voltage and propagation delays through the output drivers will affect the One-Shot period. To guarantee accuracy, the output pulse of the control chip is trimmed to within 5% of 250 ns with nominal values of R_T and C_T .

The outputs of the Oscillator and One-Shot comparators are OR'd together to produce the pulse t_{OS} , which drives the Flip-Flop and output drivers. The output pulse (t_{OS}) is initiated by the Oscillator and terminated by the One-Shot comparator. With zero-voltage resonant mode converters, the oscillator discharge time should never be set less than the one-shot period.

Error Amplifier

A fully accessible high performance Error Amplifier is provided for feedback control of the power supply system. The Error Amplifier is internally compensated and features dc open loop gain greater than 70 dB, input offset voltage of less than 10 mV and a guaranteed minimum gain-bandwidth product of 2.5 MHz. The input common mode range extends from 1.5 V to 5.1 V, which includes the reference voltage.

Figure 15. Error Amplifier and Clamp

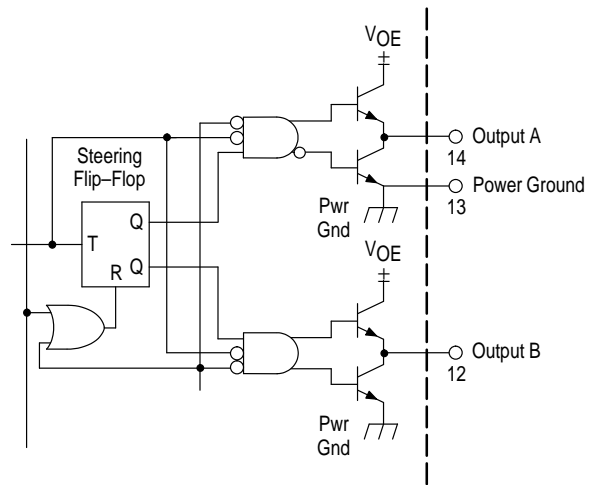


When the Error Amplifier output is coupled to the I_{OSC} pin by R_{VFO} , as illustrated in Figure 15, it provides the Oscillator Control Current, I_{OSC} . The output swing of the Error Amplifier is restricted by a clamp circuit to improve its transient recovery time.

Output Section

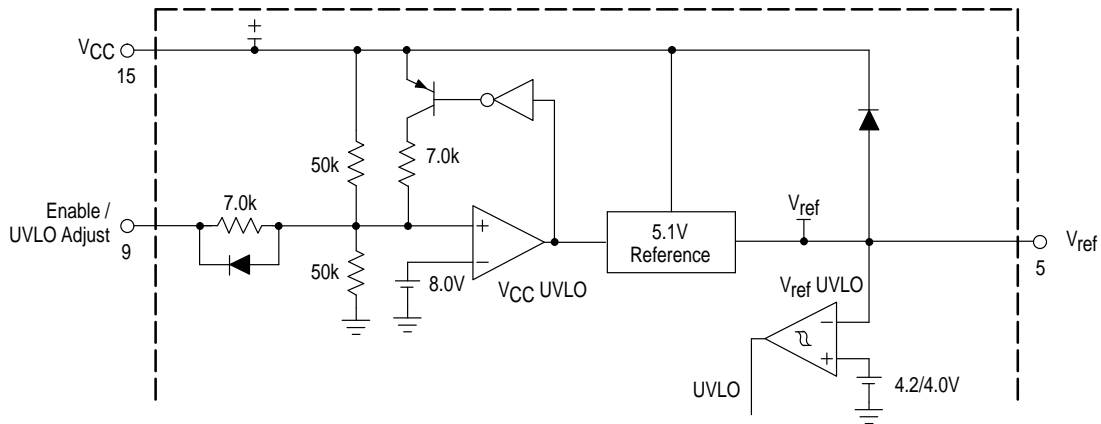
The pulse (t_{OS}), generated by the Oscillator and One-Shot timer is gated to dual totem-pole output drives by the Steering Flip-Flop shown in Figure 16. Positive transitions of t_{OS} toggle the Flip-Flop, which causes the pulses to alternate between Output A and Output B. The flip-flop is reset by the undervoltage lockout circuit during startup to guarantee that the first pulse appears at Output A.

Figure 16. Steering Flip-Flop and Output Drivers



The totem-pole output drivers are ideally suited for driving power MOSFETs and are capable of sourcing and sinking 1.5 A. Rise and fall times are typically 20 ns when driving a 1.0 nF load. High source/sink capability in a totem-pole driver normally increases the risk of high cross conduction current during output transitions. The MC34067 utilizes a unique design that virtually eliminates cross conduction, thus controlling the chip power dissipation at high frequencies. A separate power ground pin is provided to isolate the sensitive analog circuitry from large transient currents.

Figure 17. Undervoltage Lockout and Reference



PERIPHERAL SUPPORT FUNCTIONS

The MC34067 Resonant Controller provides a number of support and protection functions including a precision voltage reference, undervoltage lockout comparators, soft-start circuitry, and a fault detector. These peripheral circuits ensure that the power supply can be turned on and off in a controlled manner and that the system will be quickly disabled when a fault condition occurs.

Undervoltage Lockout and Voltage Reference

Separate undervoltage lockout comparators sense the input V_{CC} voltage and the regulated reference voltage as illustrated in Figure 17. When V_{CC} increases to the upper threshold voltage, the V_{CC} UVLO comparator enables the Reference Regulator. After the V_{ref} output of the Reference Regulator rises to 4.2 V, the V_{ref} UVLO comparator switches the UVLO signal to a logic zero state enabling the primary control path. Reducing V_{CC} to the lower threshold voltage causes the V_{CC} UVLO comparator to disable the Reference Regulator. The V_{ref} UVLO comparator then switches the UVLO output to a logic one state disabling the controller.

The Enable/UVLO Adjust pin allows the power supply designer to select the V_{CC} UVLO threshold voltages. When this pin is open, the comparator switches the controller on at 16 V and off at 9.0 V. If this pin is connected to the V_{CC} terminal, the upper and lower thresholds are reduced to 9.0 V and 8.6 V, respectively. Forcing the Enable/UVLO Adjust pin low will pull the V_{CC} UVLO comparator input low (through an internal diode) turning off the controller.

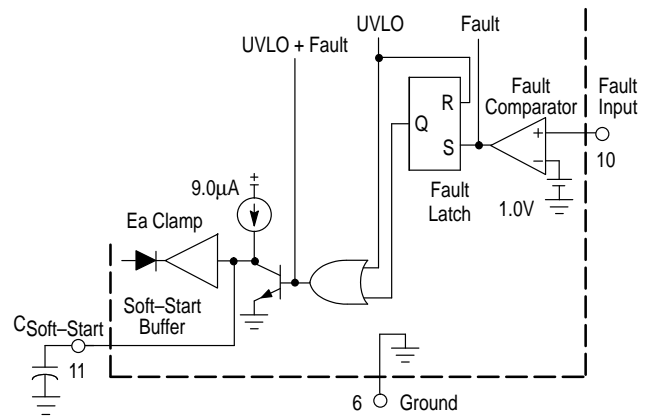
The Reference Regulator provides a precise 5.1 V reference to internal circuitry and can deliver up to 10 mA to external loads. The reference is trimmed to better than 2% initial accuracy and includes active short circuit protection.

Fault Detector

The high speed Fault Comparator and Latch illustrated in Figure 18 can protect a power supply from destruction under fault conditions. The Fault Input pin connects to the input of the Fault Comparator. If this input exceeds the 1.0 V threshold of the comparator, the Fault Latch is set and two logic signals simultaneously disable the primary control path. The signal labeled "Fault" at the output of the Fault Comparator is connected directly to the output drivers. This direct path reduces the propagation delay from the Fault Input to the A and B outputs to typically 70 ns. The Fault

Latch output is OR'd with the UVLO output from the V_{ref} UVLO comparator to produce the logic output labeled "UVLO+Fault". This signal disables the Oscillator and One-Shot by forcing both the C_{OSC} and C_T capacitors to be continually charged.

Figure 18. Fault Detector and Soft-Start



The Fault Latch is reset during startup by a logic "1" at the UVLO output of the V_{ref} UVLO comparator. The latch can also be reset after startup by pulling the Enable/UVLO Adjust pin momentarily low to disable the Reference Regulator.

Soft-Start Circuit

The Soft-Start circuit shown in Figure 18 forces the variable frequency Oscillator to start at the maximum frequency and ramp downward until regulated by the feedback control loop. The external capacitor at the $C_{Soft-Start}$ terminal is initially discharged by the UVLO+Fault signal. The low voltage on the capacitor passes through the Soft-Start Buffer to hold the Error Amplifier output low. After UVLO+Fault switches to a logic zero, the soft-start capacitor is charged by a 9.0 μ A current source. The buffer allows the Error Amplifier output to follow the soft-start capacitor until it is regulated by the Error Amplifier inputs. The soft-start function is generally applicable to controllers operating below resonance and can be disabled by simply opening the $C_{Soft-Start}$ terminal.

MC34067 MC33067

APPLICATIONS INFORMATION

The MC34067 is specifically designed for zero voltage switching (ZVS) quasi-resonant converter (QRC) applications. The IC is optimized for double-ended push-pull or bridge type converters operating in continuous conduction mode. Operation of this type of ZVS with resonant properties is similar to standard push-pull or bridge circuits in that the energy is transferred during the transistor on-time. The difference is that a series resonant tank is usually introduced to shape the voltage across the power transistor prior to turn-on. The resonant tank in this topology is not used to deliver energy to the output as is the case with zero current switch topologies. When the power transistor is enabled the voltage across it should already be zero, yielding minimal switching loss. Figure 19 shows a timing diagram for a half-bridge ZVS QRC. An application circuit is shown in Figure 20. The circuit built is a dc to dc half-bridge converter delivering 75 W to the output from a 48 V source.

When building a zero voltage switch (ZVS) circuit, the objective is to waveshape the power transistor's voltage waveform so that the voltage across the transistor is zero when the device is turned on. The purpose of the control IC is to allow a resonant tank to waveshape the voltage across the power transistor while still maintaining regulation. This is accomplished by maintaining a fixed deadtime and by varying the frequency; thus the effective duty cycle is changed.

Primary side resonance can be used with ZVS circuits. In the application circuit, the elements that make the resonant tank are the primary leakage inductance of the transformer (L_L) and the average output capacitance (C_{OSS}) of a power MOSFET (C_R). The desired resonant frequency for the application circuit is calculated by Equation 6:

$$f_r = \frac{1}{2\pi\sqrt{L_L 2C_R}} \quad (6)$$

In the application circuit, the operating voltage is low and the value of C_{OSS} versus Drain Voltage is known. Because the C_{OSS} of a MOSFET changes with drain voltage, the value of the C_R is approximated as the average C_{OSS} of the MOSFET. For the application circuit the average C_{OSS} can be calculated by Equation 7:

$$C_R = \sqrt{2} * C_{OSS} \text{ measured at } \frac{1}{2} V_{in} \quad (7)$$

The MOSFET chosen fixes C_R and that L_L is adjusted to achieve the desired resonant frequency.

However, the desired resonant frequency is less critical than the leakage inductance. Figure 19 shows the primary current ramping toward its peak value during the resonant transition. During this time, there is circulating current flowing through the secondary inductance, which effectively makes the primary inductance appear shorted. Therefore, the current through the primary will ramp to its peak value at a rate controlled by the leakage inductance and the applied voltage. Energy is not transferred to the secondary during this stage, because the primary current has not overcome the circulating current in the secondary. The larger the leakage inductance, the longer it takes for the primary current to slew. The practical effect of this is to lower the duty cycle, thus reducing the operating range.

The maximum duty cycle is controlled by the leakage inductance, not by the MC34067. The One-Shot in the MC34067 only assures that the power switch is turned on under a zero voltage condition. Adjust the one-shot period so that the output switch is activated while the primary current is slewing but before the current changes polarity. The resonant stage should then be designed to be as long as the time for the primary current to go to zero amps.

MC34067 MC33067

Figure 19. Application Timing Diagram

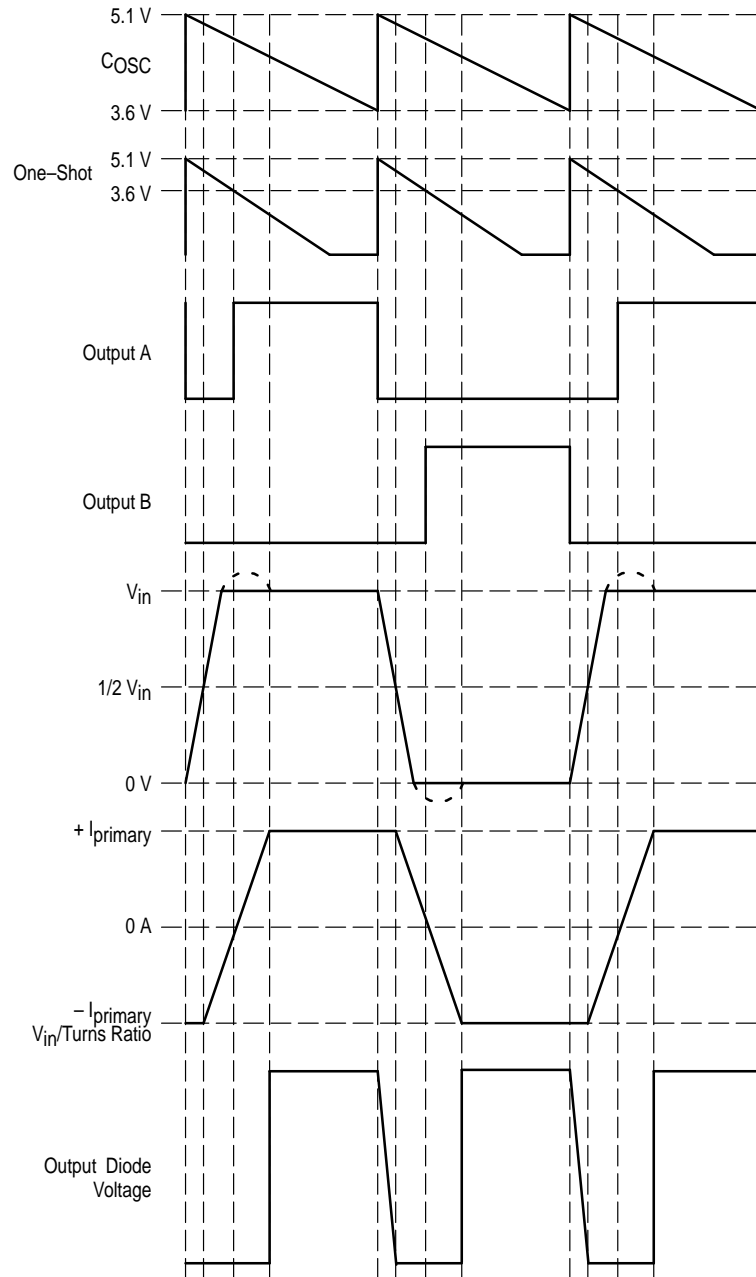
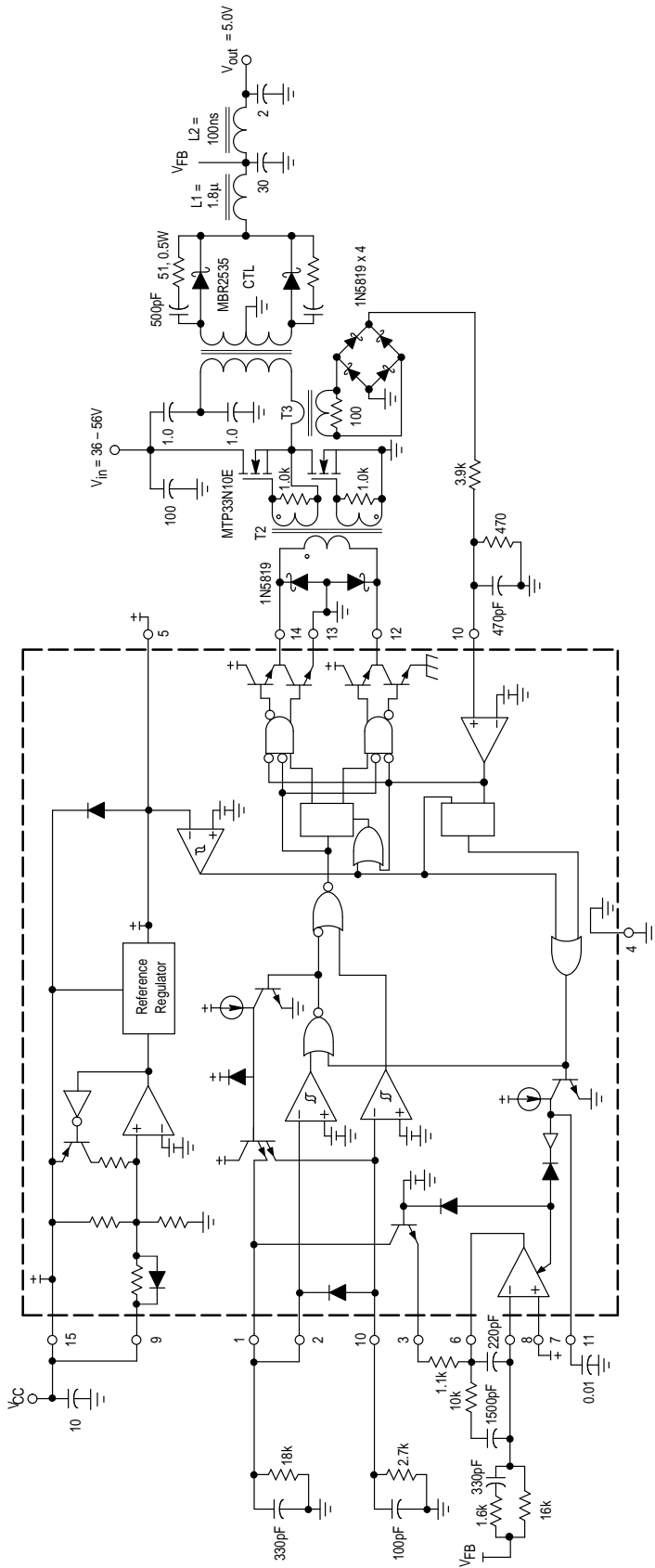


Figure 20. Application Circuit



T1 = Primary: 12 turns #48 AWG (1300 strands litz wire)
 Secondary: 6 turns center tapped #48 AWG (1300 strands litz wire)
 Core: Philips 3F3 4312 020 4124
 Bobbin: Philips 4322 021 3525
 Primary Leakage Inductance = 1.0 μH

T2 = All windings: 8 turns #36 AWG
 Core: Philips 3F3 EP7-3F3
 Bobbin: Philips EP7PCB1-6

T3 = Colicraft D1870 (100 turns)

L1 = 2 turns #48 AWG (1300 strands litz wire)
 Core: Philips 3F3 EP10-3F3
 Bobbin: Philips EP10PCB1-8
 Inductance = 1.8 μH

L2 = 5 turns #48 AWG (1300 strands litz wire)
 Core: 0.5" diameter air core
 Inductance = 100 nH

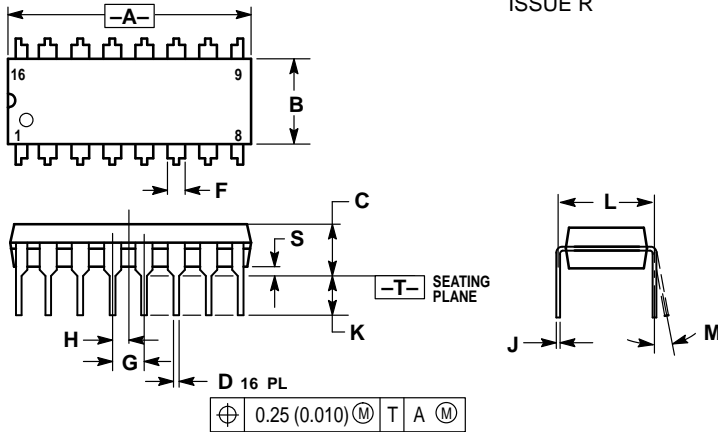
Heatsinks = AAVID Engineering Inc. 533402B02552 with clip
 MC34067-5803

Insulators = Berquist Sil-Pad 1500

Test	Conditions	Results
Line Regulation	$V_{in} = 40\text{ V to }56\text{ V}, I_O = 15\text{ A}$	$20\text{ mV} = \pm 0.198\%$
Load Regulation	$V_{in} = 48\text{ V}, I_O = 10\text{ A to }15\text{ A}$	$4.0\text{ mV} = \pm 0.039\%$
Output Ripple	$V_{in} = 48\text{ V}, I_O = 15\text{ A}, f_{\text{switch}} = 1.0\text{ MHz}$	$25\text{ mV}_{\text{p-p}}$
Efficiency	$V_{in} = 48\text{ V}, I_O = 10\text{ A}, f_{\text{switch}} = 1.7\text{ MHz}$	83.5%
	$V_{in} = 48\text{ V}, I_O = 15\text{ A}, f_{\text{switch}} = 1.0\text{ MHz}$	84.2%

MC34067 MC33067 OUTLINE DIMENSIONS

P SUFFIX PLASTIC PACKAGE CASE 648-08 ISSUE R

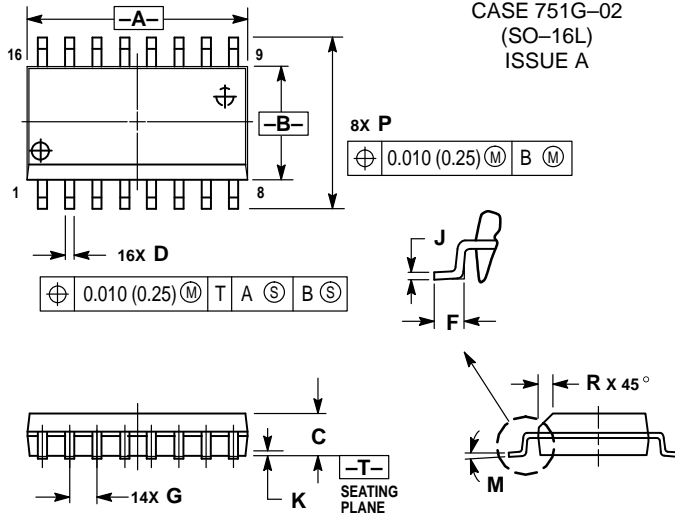


NOTES:

1. DIMENSIONING AND TOLERANCING PER ANSI Y14.5M, 1982.
2. CONTROLLING DIMENSION: INCH.
3. DIMENSION L TO CENTER OF LEADS WHEN FORMED PARALLEL.
4. DIMENSION B DOES NOT INCLUDE MOLD FLASH.
5. ROUNDED CORNERS OPTIONAL.

DIM	INCHES		MILLIMETERS	
	MIN	MAX	MIN	MAX
A	0.740	0.770	18.80	19.55
B	0.250	0.270	6.35	6.85
C	0.145	0.175	3.69	4.44
D	0.015	0.021	0.39	0.53
F	0.040	0.70	1.02	1.77
G	0.100 BSC		2.54 BSC	
H	0.050 BSC		1.27 BSC	
J	0.008	0.015	0.21	0.38
K	0.110	0.130	2.80	3.30
L	0.295	0.305	7.50	7.74
M	0° 10°		0° 10°	
S	0.020	0.040	0.51	1.01

DW SUFFIX PLASTIC PACKAGE CASE 751G-02 (SO-16L) ISSUE A



NOTES:

1. DIMENSIONING AND TOLERANCING PER ANSI Y14.5M, 1982.
2. CONTROLLING DIMENSION: MILLIMETER.
3. DIMENSIONS A AND B DO NOT INCLUDE MOLD PROTRUSION.
4. MAXIMUM MOLD PROTRUSION 0.15 (0.006) PER SIDE.
5. DIMENSION D DOES NOT INCLUDE DAMBAR PROTRUSION. ALLOWABLE DAMBAR PROTRUSION SHALL BE 0.13 (0.005) TOTAL IN EXCESS OF D DIMENSION AT MAXIMUM MATERIAL CONDITION.

DIM	MILLIMETERS		INCHES	
	MIN	MAX	MIN	MAX
A	10.15	10.45	0.400	0.411
B	7.40	7.60	0.292	0.299
C	2.35	2.65	0.093	0.104
D	0.35	0.49	0.014	0.019
F	0.50	0.90	0.020	0.035
G	1.27 BSC		0.050 BSC	
J	0.25	0.32	0.010	0.012
K	0.10	0.25	0.004	0.009
M	0° 7°		0° 7°	
P	10.05	10.55	0.395	0.415
R	0.25	0.75	0.010	0.029

Motorola reserves the right to make changes without further notice to any products herein. Motorola makes no warranty, representation or guarantee regarding the suitability of its products for any particular purpose, nor does Motorola assume any liability arising out of the application or use of any product or circuit, and specifically disclaims any and all liability, including without limitation consequential or incidental damages. "Typical" parameters which may be provided in Motorola data sheets and/or specifications can and do vary in different applications and actual performance may vary over time. All operating parameters, including "Typicals" must be validated for each customer application by customer's technical experts. Motorola does not convey any license under its patent rights nor the rights of others. Motorola products are not designed, intended, or authorized for use as components in systems intended for surgical implant into the body, or other applications intended to support or sustain life, or for any other application in which the failure of the Motorola product could create a situation where personal injury or death may occur. Should Buyer purchase or use Motorola products for any such unintended or unauthorized application, Buyer shall indemnify and hold Motorola and its officers, employees, subsidiaries, affiliates, and distributors harmless against all claims, costs, damages, and expenses, and reasonable attorney fees arising out of, directly or indirectly, any claim of personal injury or death associated with such unintended or unauthorized use, even if such claim alleges that Motorola was negligent regarding the design or manufacture of the part. Motorola and  are registered trademarks of Motorola, Inc. Motorola, Inc. is an Equal Opportunity/Affirmative Action Employer.

MC34067 MC33067

Mfax is a trademark of Motorola, Inc.

How to reach us:

USA/EUROPE/Locations Not Listed: Motorola Literature Distribution;
P.O. Box 5405, Denver, Colorado 80217. 303-675-2140 or 1-800-441-2447

JAPAN: Nippon Motorola Ltd.: SPD, Strategic Planning Office, 4-32-1,
Nishi-Gotanda, Shinagawa-ku, Tokyo 141, Japan. 81-3-5487-8488

Mfax™: RMFAX0@email.sps.mot.com – TOUCHTONE 602-244-6609
– US & Canada ONLY 1-800-774-1848

ASIA/PACIFIC: Motorola Semiconductors H.K. Ltd.; 8B Tai Ping Industrial Park,
51 Ting Kok Road, Tai Po, N.T., Hong Kong. 852-26629298

INTERNET: <http://motorola.com/sps>



MOTOROLA



MC34067/D