

H C 5

MC68HC05K0

MC68HCL05K0

MC68HSC05K0

MC68HC05K1

HCMOS Microcontroller Unit

TECHNICAL DATA

List of Sections

Section 1. General Description	17
Section 2. Memory	29
Section 3. Central Processor Unit (CPU)	35
Section 4. Interrupts	43
Section 5. Resets	53
Section 6. Low-Power Modes.....	59
Section 7. Parallel Input/Output (I/O).....	65
Section 8. Multifunction Timer.....	77
Section 9. Personality EPROM (MC68HC05K1 Only)...	85
Section 10. Instruction Set.....	93
Section 11. Electrical Specifications.....	111
Section 12. Mechanical Specifications	127
Section 13. Ordering Information	129
Appendix A. MC68HCL05K0.....	135
Appendix B. MC68HSC05K0	141
Index.....	145

Table of Contents

Section 1. General Description

1.1	Contents	17
1.2	Introduction	18
1.3	Features	18
1.4	Mask Options	19
1.5	MCU Structure	20
1.6	Pin Assignments	21
1.6.1	V _{DD} and V _{SS}	22
1.6.2	OSC1, OSC2, and PB1/OSC3	22
1.6.2.1	Crystal	23
1.6.2.2	Ceramic Resonator	24
1.6.2.3	2-Pin Resistor-Capacitor (RC) Combination	25
1.6.2.4	3-Pin RC Oscillator	26
1.6.2.5	External Clock Signal	27
1.6.3	$\overline{\text{RESET}}$	27
1.6.4	$\overline{\text{IRQ}}/\text{V}_{\text{PP}}$	27
1.6.5	PA7–PA0	27
1.6.6	PB1/OSC3 and PB0	28

Section 2. Memory

2.1	Contents	29
2.2	Introduction	29
2.3	Input/Output Section	30
2.4	RAM	30

2.5	ROM	34
2.6	Personality EPROM (MC68HC05K1 Only).....	34

Section 3. Central Processor Unit (CPU)

3.1	Contents	35
3.2	Introduction	35
3.3	CPU Registers	36
3.3.1	Accumulator	37
3.3.2	Index Register	37
3.3.3	Stack Pointer	38
3.3.4	Program Counter	39
3.3.5	Condition Code Register	40
3.4	Arithmetic/Logic Unit (ALU)	41

Section 4. Interrupts

4.1	Contents	43
4.2	Introduction	43
4.3	Interrupt Types	44
4.3.1	Software Interrupt	44
4.3.2	External Interrupts	44
4.3.2.1	$\overline{\text{IRQ}}/V_{PP}$ Pin	45
4.3.2.2	PA3–PA0 Pins	46
4.3.2.3	IRQ Status and Control Register	48
4.3.3	Timer Interrupts	49
4.3.3.1	Timer Overflow Interrupt	49
4.3.3.2	Real-Time Interrupt	49
4.4	Interrupt Processing	50

Section 5. Resets

5.1	Contents	53
5.2	Introduction	53
5.3	Reset Types	54

5.3.1	Power-On Reset	54
5.3.2	External Reset	55
5.3.3	Computer Operating Properly (COP) Reset	56
5.3.4	Illegal Address Reset	56
5.3.5	Low-Voltage Reset	57
5.4	Reset States	57
5.4.1	CPU	57
5.4.2	I/O Port Registers	58
5.4.3	Timer	58
5.4.4	COP Watchdog	58

Section 6. Low-Power Modes

6.1	Contents	59
6.2	Introduction	59
6.3	Stop Mode	60
6.4	Wait Mode	61
6.5	Halt Mode	62
6.6	Data-Retention Mode	62

Section 7. Parallel Input/Output (I/O)

7.1	Contents	65
7.2	Introduction	65
7.3	Port A	66
7.3.1	Port A Data Register	66
7.3.2	Data Direction Register A	67
7.3.3	Pulldown Register A	68
7.3.4	Port A External Interrupts	69
7.3.5	Port A Logic	69

7.4	Port B	70
7.4.1	Port B Data Register	70
7.4.2	Data Direction Register B	72
7.4.3	Pulldown Register B	73
7.4.4	Port B Logic	74

Section 8. Multifunction Timer

8.1	Contents	77
8.2	Introduction	77
8.3	Timer Status and Control Register	78
8.4	Timer Counter Register	81
8.5	COP Watchdog	82

Section 9. Personality EPROM (MC68HC05K1 Only)

9.1	Contents	85
9.2	Introduction	85
9.3	PEPROM Registers	87
9.3.1	PEPROM Bit Select Register	87
9.3.2	PEPROM Status and Control Register	89
9.4	PEPROM Programming	90
9.5	PEPROM Reading	92

Section 10. Instruction Set

10.1	Contents	93
10.2	Introduction	94
10.3	Addressing Modes	94
10.3.1	Inherent	95
10.3.2	Immediate	95
10.3.3	Direct	95
10.3.4	Extended	95
10.3.5	Indexed, No Offset	96
10.3.6	Indexed, 8-Bit Offset	96

10.3.7	Indexed, 16-Bit Offset	96
10.3.8	Relative	97
10.4	Instruction Types	97
10.4.1	Register/Memory Instructions	98
10.4.2	Read-Modify-Write Instructions	99
10.4.3	Jump/Branch Instructions	100
10.4.4	Bit Manipulation Instructions	102
10.4.5	Control Instructions	103
10.5	Instruction Set Summary	104
10.6	Opcode Map	109

Section 11. Electrical Specifications

11.1	Contents	111
11.2	Introduction	111
11.3	Maximum Ratings	112
11.4	Equivalent Pin Loading	112
11.5	Operating Temperature Range	113
11.6	Thermal Characteristics	113
11.7	Power Considerations	114
11.8	5.0-Volt DC Electrical Characteristics	115
11.9	3.3-Volt DC Electrical Specifications	116
11.10	5.0-Volt Control Timing	120
11.11	3.3-Volt Control Timing	121
11.12	Typical Oscillator Characteristics	124

Section 12. Mechanical Specifications

12.1 Contents127
12.2 Introduction127
12.3 MC68HC05K0/MC68HC05K1P (PDIP)128
12.4 MC68HC05K0/MC68HC05K1DW (SOIC)128

Section 13. Ordering Information

13.1 Contents129
13.2 Introduction129
13.3 MCU Ordering Forms130
13.4 Application Program Media130
13.4.1 Diskettes131
13.4.2 EPROMs132
13.5 ROM Program Verification132
13.6 ROM Verification Units (RVUs)133
13.7 MCU Order Numbers134

Appendix A. MC68HCL05K0

A.1 Contents135
A.2 Introduction135
A.3 1.8–2.4-Volt DC Electrical Characteristics136
A.4 2.5–3.6-Volt DC Electrical Characteristics136
A.5 Low-Power Supply Current137
A.6 Low-Power Pulldown Current138
A.7 Ordering Information139

Appendix B. MC68HSC05K0

B.1 Contents141

B.2 Introduction141

B.3 High-Speed Supply Current142

B.4 5.0-Volt Control Timing143

B.5 3.3-Volt Control Timing144

B.6 Ordering Information144

Index

Index145

List of Figures

Figure	Title	Page
1-1	MC68HC05K0 and MC68HC05K1 Block Diagram	20
1-2	Pin Assignments	21
1-3	Bypassing Layout Recommendation	22
1-4	Crystal Connections	23
1-5	2-Pin Ceramic Resonator Connections	24
1-6	3-Pin Ceramic Resonator Connections	24
1-7	2-Pin RC Oscillator Connections	25
1-8	3-Pin RC Oscillator Connections	26
1-9	External Clock Connections	27
2-1	Memory Map	31
2-2	Control, Status, and Data Registers	32
3-1	Programming Model	36
3-2	Accumulator (A)	37
3-3	Index Register (X)	37
3-4	Stack Pointer (SP)	38
3-5	Program Counter	39
3-6	Condition Code Register (CCR)	40
4-1	External Interrupt Logic	46
4-2	IRQ Status and Control Register (ISCR)	48
4-3	Interrupt Stacking Order	50
4-4	Interrupt Flowchart	52
5-1	Reset Sources	55
5-2	COP Register (COPR)	56
6-1	Stop/Wait/Halt Flowchart	63
7-1	Port A Data Register (PORTA)	66

Figure	Title	Page
7-2	Data Direction Register A (DDRA)	67
7-3	Pulldown Register A (PDRA)	68
7-4	Port A I/O Circuit	69
7-5	Port B Data Register (PORTB)	71
7-6	Data Direction Register B (DDRB)	72
7-7	Pulldown Register B (PDRB)	73
7-8	Port B I/O Circuit	74
8-1	Multifunction Timer Block Diagram	78
8-2	Timer Status and Control Register (TSCR)	79
8-3	Timer Counter Register (TCNTR)	81
8-4	COP Register (COPR)	82
9-1	PEPROM Block Diagram	86
9-2	PEPROM Bit Select Register (PEBSR)	87
9-3	PEPROM Status and Control Register (PESCR)	89
9-4	Programming Circuit	91
11-1	Equivalent Test Load	112
11-2	Typical High-Side Driver Characteristics	117
11-3	Typical Low-Side Driver Characteristics	117
11-4	Typical Run I_{DD} versus Internal Clock Frequency	118
11-5	Typical Wait I_{DD} versus Internal Clock Frequency	118
11-6	Typical Stop I_{DD} versus Temperature	119
11-7	External Interrupt Timing	122
11-8	Stop Mode Recovery Timing	122
11-9	Power-On Reset Timing	123
11-10	External Reset Timing	123
11-11	2-Pin RC Oscillator R versus Frequency ($V_{DD} = 5.0\text{ V}$)	125
11-12	3-Pin RC Oscillator R versus Frequency ($V_{DD} = 5.0\text{ V}$)	125
11-13	2-Pin Oscillator R versus Frequency ($V_{DD} = 3.0\text{ V}$)	126
11-14	3-Pin Oscillator R versus Frequency ($V_{DD} = 3.0\text{ V}$)	126
13-1	Maximum Run Mode I_{DD} versus Frequency	138
13-2	Maximum Wait Mode I_{DD} versus Frequency	139

List of Tables

Table	Title	Page
1-1	Mask Options	19
4-1	Reset/Interrupt Vector Addresses	51
7-1	Port A Pin Functions	70
7-2	PB0 Pin Functions	75
7-3	PB1/OSC3 Pin Functions	75
8-1	Real-Time Interrupt Rate Selection	80
8-2	COP Watchdog Recommendations	83
9-1	PEPROM Bit Selection	88
10-1	Register/Memory Instructions	98
10-2	Read-Modify-Write Instructions	99
10-3	Jump and Branch Instructions	101
10-4	Bit Manipulation Instructions	102
10-5	Control Instructions	103
10-6	Instruction Set Summary	104
10-7	Opcode Map	110
13-1	MCU Order Numbers	134
A-1	MC68HCL05K0 Order Numbers	139
B-1	MC68HSC05K0 Order Numbers	144

Section 1. General Description

1.1 Contents

1.2	Introduction	18
1.3	Features	18
1.4	Mask Options	19
1.5	MCU Structure	20
1.6	Pin Assignments	21
1.6.1	V_{DD} and V_{SS}	22
1.6.2	OSC1, OSC2, and PB1/OSC3	22
1.6.2.1	Crystal	23
1.6.2.2	Ceramic Resonator	24
1.6.2.3	2-Pin Resistor-Capacitor (RC) Combination	25
1.6.2.4	3-Pin RC Oscillator	26
1.6.2.5	External Clock Signal	27
1.6.3	$\overline{\text{RESET}}$	27
1.6.4	$\overline{\text{IRQ}}/V_{PP}$	27
1.6.5	PA7–PA0	27
1.6.6	PB1/OSC3 and PB0	28

1.2 Introduction

The MC68HC05K1 and MC68HC05K0 are members of Motorola's low-cost, high-performance M68HC05 Family of 8-bit microcontroller units (MCU). The M68HC05 Family is based on the customer-specified integrated circuit (CSIC) design strategy. All MCUs in the family use the popular M68HC05 central processor unit (CPU) and are available with a variety of subsystems, memory sizes and types, and package types.

On-chip memory includes 504 bytes of user read-only memory (ROM) and 32 bytes of user random-access memory (RAM).

The MC68HC05K1 has an additional 64-bit personality, erasable, programmable, read-only memory (PEPROM). In an MC68HC05K1 MCU, the PEPROM cannot be erased and serves as a 64-bit array of one-time programmable ROM (OTPROM).

Appendix A. MC68HCL05K0 introduces the MC68HCL05K0, a low-power version of the MC68HC05K0.

Appendix B. MC68HSC05K0 introduces the MC68HSC05K0, a high-speed version of the MC68HC05K0.

1.3 Features

Features of the MC68HC05K0 and MC68HC05K1 include:

- M68HC05 CPU
- Memory-mapped input/output (I/O) registers
- 504 bytes of ROM including eight user vector locations
- 32 bytes of user RAM
- 64-bit PEPROM/OTPROM (MC68HC05K1 only)
- 10 bidirectional input/output (I/O) pins with these features:
 - Software programmable pulldown devices
 - Four I/O pins with 8-mA current sinking capability
 - Four I/O pins with maskable external interrupt capability

- Hardware mask and flag for external interrupts
- Fully static operation with no minimum clock speed
- On-chip oscillator with connections for a crystal/ceramic resonator or for a mask-optional 2-pin or 3-pin resistor-capacitor (RC) oscillator
- Computer operating properly (COP) watchdog
- 15-bit multifunction timer with real-time interrupt circuit
- Power-saving stop, wait/halt, and data-retention modes
- 8 × 8 unsigned multiply instruction
- Illegal address reset
- Low-voltage reset
- 16-pin plastic dual in-line package (PDIP)
- 16-pin small outline integrated circuit package (SOIC)

1.4 Mask Options

Table 1-1 shows the available mask options.

Table 1-1. Mask Options

Feature	Mask Options	
	COP watchdog	Enabled
External interrupt pin triggering	Edge triggered only	Edge and level triggered
Port A external interrupt function	Enabled	Disabled
Low-voltage reset function	Enabled	Disabled
STOP instruction	Enabled	Convert to halt
Oscillator type	Crystal/ceramic resonator	Resistor-capacitor
		2-pin 3-pin
Port A and port B pulldown devices	Software control	Disabled

1.5 MCU Structure

Figure 1-1 shows the structure of the MC68HC05K0 and MC68HC05K1.

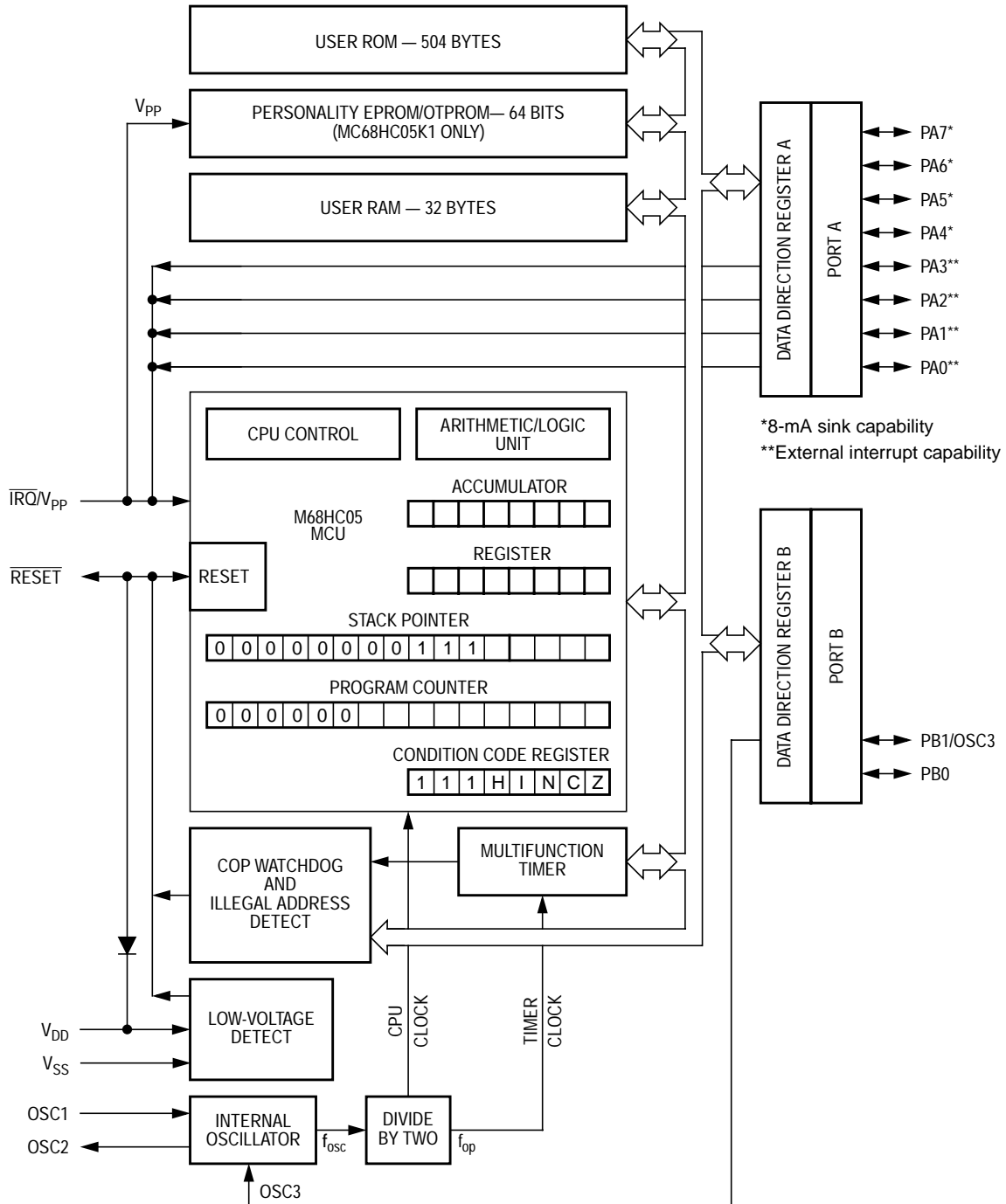


Figure 1-1. MC68HC05K0 and MC68HC05K1 Block Diagram

1.6 Pin Assignments

Figure 1-2 shows the MC68HC05K0 and MC68HC05K1 pin assignments.

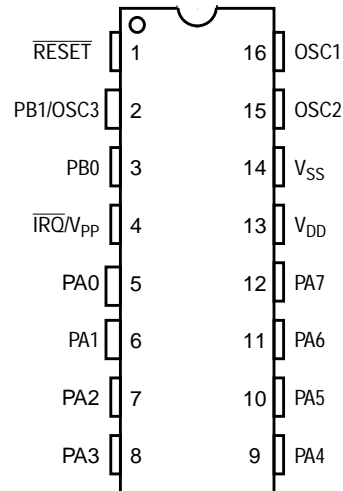
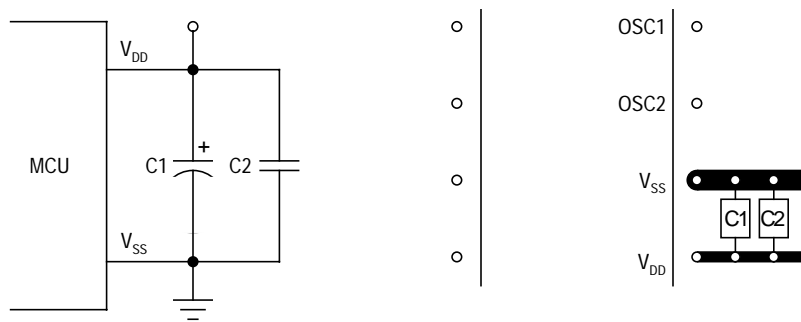


Figure 1-2. Pin Assignments

1.6.1 V_{DD} and V_{SS}

V_{DD} and V_{SS} are the power supply and ground pins. The MCU operates from a single 3.0-V to 6.0-V power supply.

Very fast signal transitions occur on the MCU pins, placing high short-duration current demands on the power supply. To prevent noise problems, take special care to provide good power supply bypassing at the MCU. Place bypass capacitors as close to the MCU as possible, as **Figure 1-3** shows.



Note:
Actual layout varies according to component dimensions.

Figure 1-3. Bypassing Layout Recommendation

1.6.2 OSC1, OSC2, and PB1/OSC3

The OSC1, OSC2, and PB1/OSC3 pins are the control connections for the 2-pin or 3-pin on-chip oscillator. The oscillator can be driven by any of these:

- Crystal
- Ceramic resonator
- Resistor-capacitor (RC) combination
- External clock signal

The frequency of the internal oscillator is f_{OSC} . The MCU divides the internal oscillator output by two to produce the internal clock with a frequency of f_{OP} .

1.6.2.1 Crystal

The circuit in **Figure 1-4** shows a typical crystal oscillator circuit for an AT-cut, parallel resonant crystal. Follow the crystal supplier's recommendations, as the crystal parameters determine the external component values required to provide reliable startup and maximum stability. The load capacitance values used in the oscillator circuit design should account for all stray layout capacitances. To minimize output distortion, mount the crystal and capacitors as close as possible to the pins.

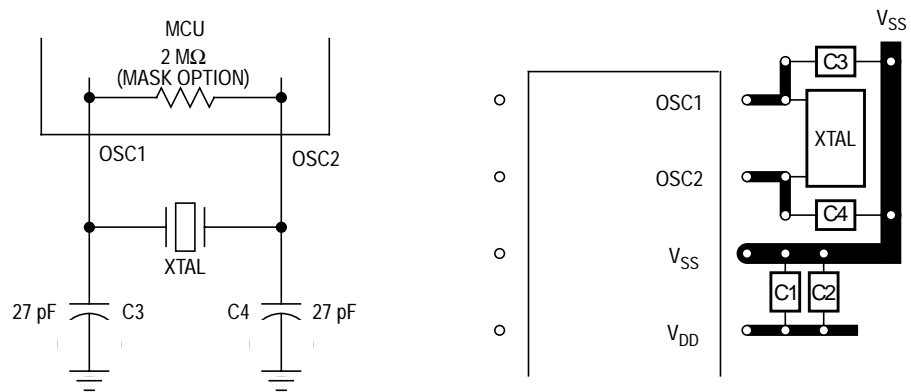


Figure 1-4. Crystal Connections

NOTE: Use an AT-cut crystal and not a strip or tuning fork crystal. The MCU may overdrive or have the incorrect characteristic impedance for a strip or tuning fork crystal.

To use the crystal-driven oscillator, select the crystal/ceramic resonator mask option when ordering the MCU. The crystal/ceramic resonator mask option connects an internal 2-MΩ startup resistor between OSC1 and OSC2.

1.6.2.2 Ceramic Resonator

To reduce cost, use a ceramic resonator in place of the crystal. Use the circuit in **Figure 1-5** for a 2-pin ceramic resonator or **Figure 1-6** for a 3-pin ceramic resonator and follow the resonator manufacturer's recommendations.

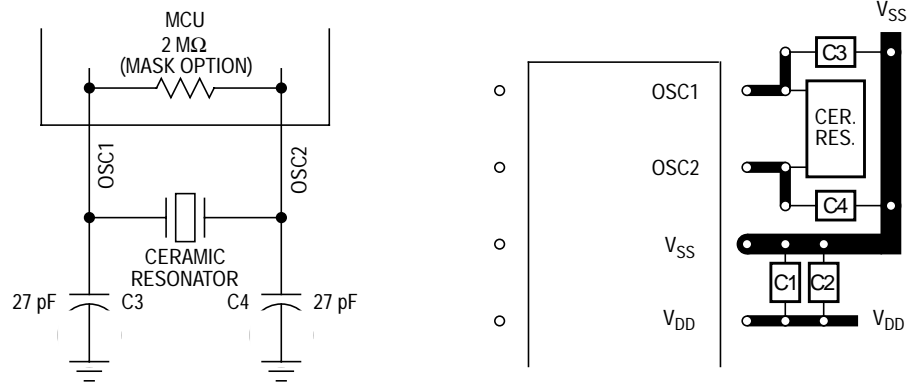


Figure 1-5. 2-Pin Ceramic Resonator Connections

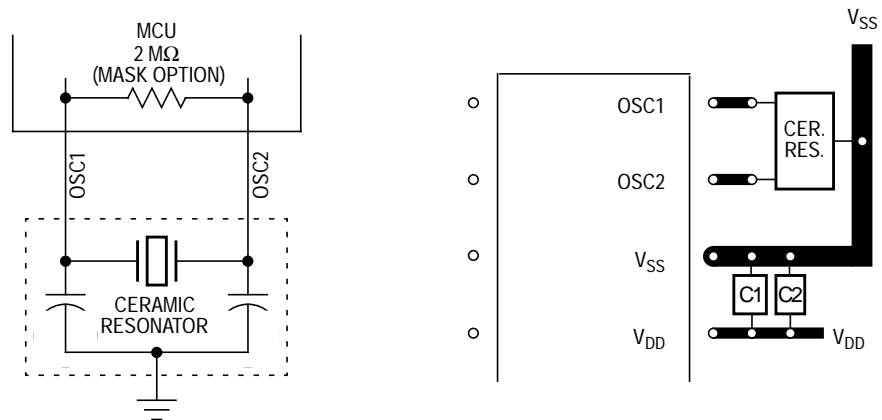


Figure 1-6. 3-Pin Ceramic Resonator Connections

The external component values required for maximum stability and reliable starting depend upon the resonator parameters. The load capacitance values used in the oscillator circuit design should account for all stray layout capacitances. To minimize output distortion, mount the resonator and capacitors as close as possible to the pins.

To use the resonator-driven oscillator, select the crystal/ceramic resonator mask option when ordering the MCU. The crystal/ceramic resonator mask option connects an internal 2-M Ω startup resistor between OSC1 and OSC2.

1.6.2.3 2-Pin Resistor-Capacitor (RC) Combination

For maximum cost reduction, use the 2-pin RC oscillator configuration shown in **Figure 1-7**. The OSC2 signal is a square-type wave, and the signal on OSC1 is a triangular-type wave. The optimum frequency for the 2-pin oscillator configuration is 2 MHz.

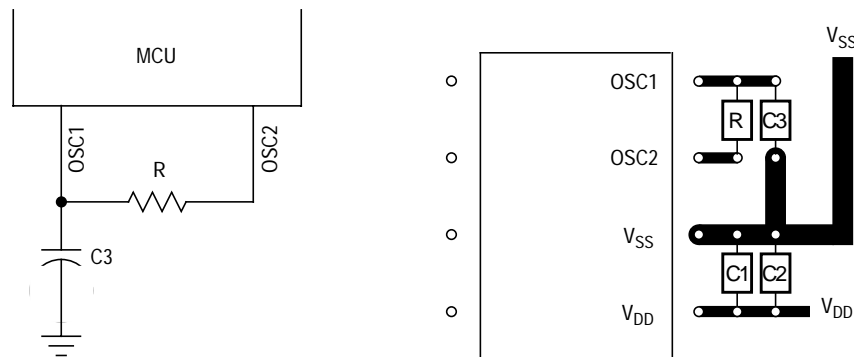


Figure 1-7. 2-Pin RC Oscillator Connections

To use the 2-pin RC oscillator configuration, select the 2-pin RC oscillator mask option when ordering the MCU.

1.6.2.4 3-Pin RC Oscillator

Another low-cost option is the 3-pin RC oscillator configuration shown in **Figure 1-8**. The 3-pin oscillator is more stable than the 2-pin oscillator. The OSC2 and PB1/OSC3 signals are square-type waves, and the signal on OSC1 is a triangular-type wave. Short the OSC1 pin to the side of resistor R, which is connected to capacitor C3. The 3-pin RC oscillator configuration is recommended for frequencies of 1 MHz down to 100 kHz.

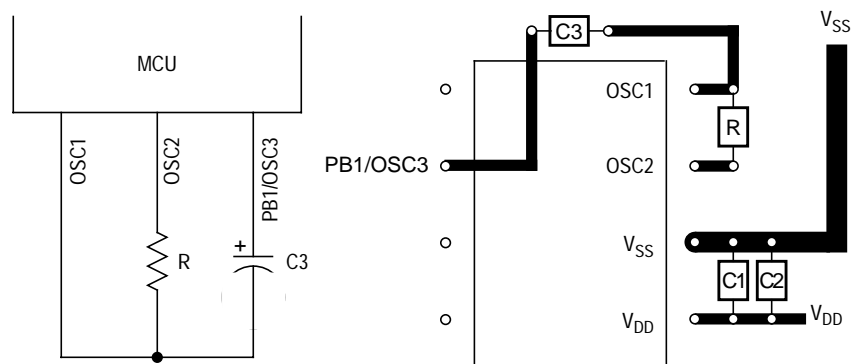


Figure 1-8. 3-Pin RC Oscillator Connections

To use the 3-pin RC oscillator configuration, select the 3-pin RC oscillator mask option when ordering the MCU.

NOTE: *In the 3-pin RC oscillator configuration the PEPROM of the MC68HC05K1 cannot be programmed by user software. If the voltage on \overline{TRQ}/V_{PP} is raised above V_{DD} , the oscillator will revert to a 2-pin oscillator configuration and device operation will be disrupted.*

1.6.2.5 External Clock Signal

An external clock from another complementary metal oxide semiconductor (CMOS)-compatible device can drive the OSC1 input, with the OSC2 pin unconnected, as **Figure 1-9** shows.

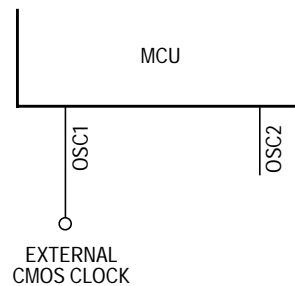


Figure 1-9. External Clock Connections

1.6.3 $\overline{\text{RESET}}$

A logic 0 on the $\overline{\text{RESET}}$ pin forces the MCU to a known startup state. See **5.3 Reset Types**.

1.6.4 $\overline{\text{IRQ}}/V_{\text{PP}}$

The $\overline{\text{IRQ}}/V_{\text{PP}}$ pin has these functions:

- Applying asynchronous external interrupt signals. See **4.3 Interrupt Types**.
- Applying the personality EPROM programming voltage (MC68HC05K1 only). See **9.3 PEPROM Registers**.

1.6.5 PA7–PA0

PA7–PA0 are the pins of port A, a general-purpose, bidirectional I/O port. See **7.3 Port A**.

All port A pins have mask-optional pulldown devices that sink approximately 100 μA . See **7.3.3 Pulldown Register A**. If the mask

option for port A external interrupts is selected, PA3-PA0 serve as external interrupt pins. See [7.3.4 Port A External Interrupts](#).

1.6.6 PB1/OSC3 and PB0

PB1/OSC3 and PB0 are the pins of port B, a general-purpose, bidirectional I/O port. See [7.4 Port B](#).

PB1 is the oscillator output for the 3-pin resistor/capacitor (RC) oscillator mask option. See [1.6.2 OSC1, OSC2, and PB1/OSC3](#). PB1 and PB0 have mask-optional pulldown devices that sink approximately 100 μ A. See [7.4.3 Pulldown Register B](#).

Section 2. Memory

2.1 Contents

2.2	Introduction	29
2.3	Input/Output Section	30
2.4	RAM	30
2.5	ROM	34
2.6	Personality EPROM (MC68HC05K1 Only)	34

2.2 Introduction

The central processor unit (CPU) can address 1 Kbyte of memory space. The program counter typically advances one address at a time through the memory, reading the program instructions and data. The read-only memory (ROM) portion of memory holds the program instructions, fixed data, user-defined vectors, and interrupt service routines. The random-access memory (RAM) portion of memory holds variable data. Input/output (I/O) registers are memory-mapped so that the CPU can access their locations in the same way that it accesses all other memory locations.

Figure 2-1 is a memory map of the microcontroller unit (MCU).

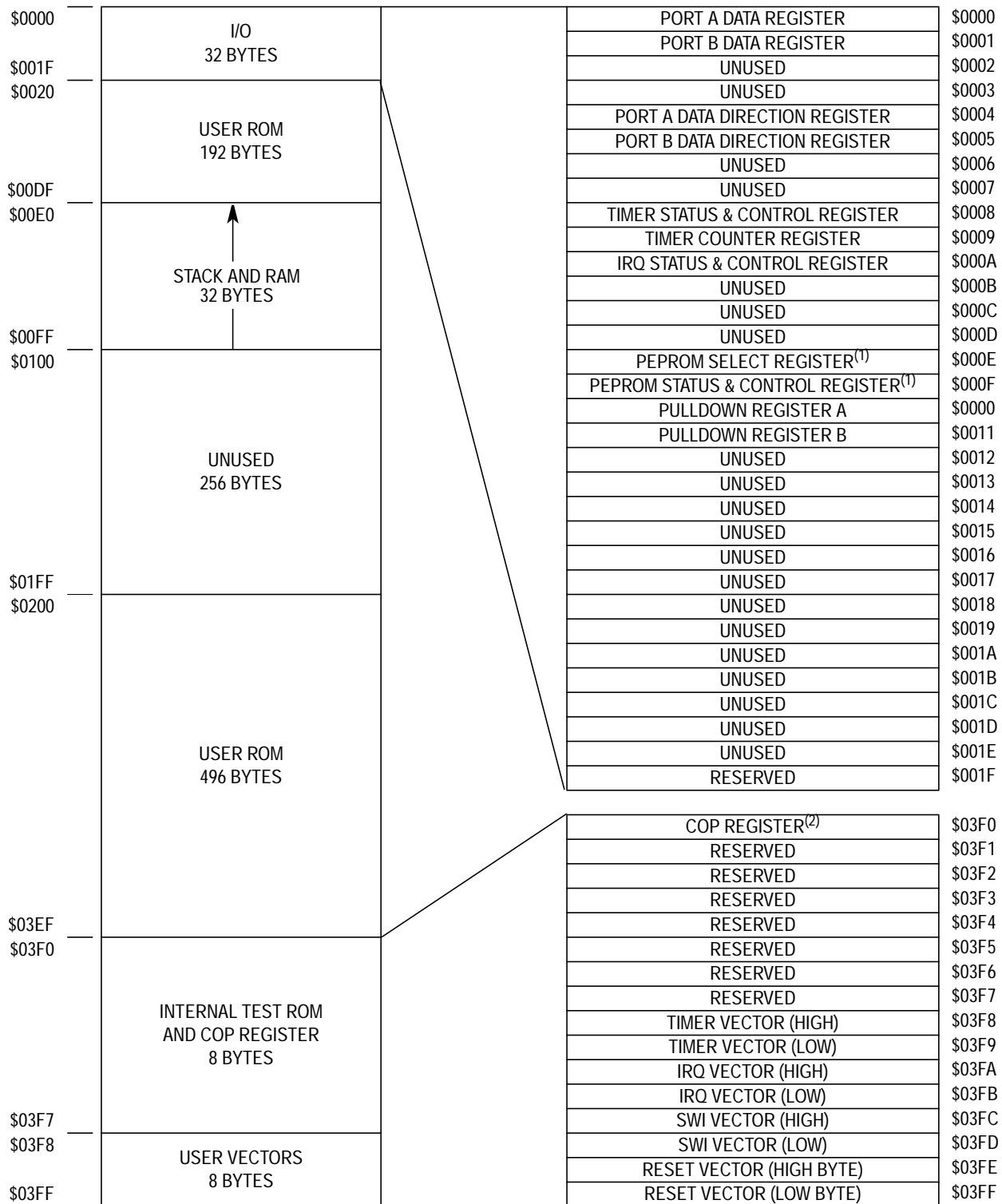
2.3 Input/Output Section

The first 32 addresses of the memory space, \$0000–\$001F, are the I/O section. These are the addresses of the I/O control registers, status registers, and data registers. [Figure 2-2](#) is a register map of the I/O section.

2.4 RAM

The 32 addresses from \$00E0 to \$00FF serve as both the user RAM and the stack RAM. The CPU uses five RAM bytes to save all CPU register contents before processing an interrupt. During a subroutine call, the CPU uses two bytes to store the return address. The stack pointer decrements during pushes and increments during pulls.

NOTE: *Be careful when using nested subroutines or multiple interrupt levels. The CPU may overwrite data in the RAM during a subroutine or during the interrupt stacking operation.*



1. MC68HC05K1 only
 2. Writing a 0 to bit 0 of \$03F0 clears the COP watchdog. Reading \$03F0 returns ROM data.

Figure 2-1. Memory Map

Technical Data

Addr.	Register Name	Bit 7	6	5	4	3	2	1	Bit 0	
\$0000	Port A Data Register (PORTA) See page 66.	Read:	PA7	PA6	PA5	PA4	PA3	PA2	PA1	PA0
		Write:								
		Reset:	Unaffected by reset							
\$0001	Port B Data Register (PORTB) See page 71.	Read:	0	0	0	0	0	0	PB1	PB0
		Write:								
		Reset:	Unaffected by reset							
\$0002	Unimplemented									
\$0003	Unimplemented									
\$0004	Data Direction Register A (DDRA) See page 67.	Read:	DDRA7	DDRA6	DDRA5	DDRA4	DDRA3	DDRA2	DDRA1	DDRA0
		Write:								
		Reset:	0	0	0	0	0	0	0	0
\$0005	Data Direction Register B (DDRB) See page 72.	Read:	0	0	0	0	0	0	DDRB1	DDRB0
		Write:								
		Reset:	0	0	0	0	0	0	0	0
\$0006	Unimplemented									
\$0007	Unimplemented									
\$0008	Timer Status and Control Register (TSCR) See page 79.	Read:	TOF	RTIF	TOIE	RTIE	0	0	RT1	RT0
		Write:					TOFR	RTIFR		
		Reset:	0	0	0	0	0	0	1	1
\$0009	Timer Counter Register (TCNTR) See page 81.	Read:	TCR7	TCR6	TCR5	TCR4	TCR3	TCR2	TCR1	TCR0
		Write:								
		Reset:	0	0	0	0	0	0	0	0
\$000A	IRQ Status and Control Register (ISCR) See page 48.	Read:	IRQE	0	0	0	IRQF	0	0	0
		Write:							IRQR	
		Reset:	1	0	0	0	0	0	U	0

= Unimplemented
 = Reserved
 U = Unaffected

Figure 2-2. Control, Status, and Data Registers (Sheet 1 of 2)

Freescale Semiconductor, Inc.

Memory
RAM

Addr.	Register Name	Bit 7	6	5	4	3	2	1	Bit 0		
\$000B	Unimplemented										
↓											
\$000D	Unimplemented										
\$000E	PEPROM Bit Select Register (PEBSR) See page 87.	Read:	PEB7	PEB6	PEB5	PEB4	PEB3	PEB2	PEB1	PEB0	
		Write:									
		Reset:	0	0	0	0	0	0	0	0	
\$000F	PEPROM Status and Control Register (PESCR) See page 89.	Read:	PEDATA	0	PEPGM	0	0	0	0	PEPRZF	
		Write:									
		Reset:	U	0	0	0	0	0	0	1	
\$0010	Pulldown Register A (PDRA) See page 68.	Read:									
		Write:	PDIA7	PDIA6	PDIA5	PDIA4	PDIA3	PDIA2	PDIA1	PDIA0	
		Reset:	0	0	0	0	0	0	0	0	
\$0011	Pulldown Register B (PDRB) See page 73.	Read:									
		Write:							PDIB1	PDIB0	
		Reset:	U	U	U	U	U	U	0	0	
\$0012	Unimplemented										
↓											
\$001E	Unimplemented										
\$001F	Reserved	Read:	R	R	R	R	R	R	R	R	
		Write:									
		Reset:	Unaffected by reset								
\$03F0	COP Register (COPR) See page 56.	Read:	0	0	0	0	0	0	1	0	
		Write:									COPC
		Reset:	U	U	U	U	U	U	U	U	0

= Unimplemented
 R = Reserved
 U = Unaffected

Figure 2-2. Control, Status, and Data Registers (Sheet 2 of 2)

2.5 ROM

Addresses \$0200–\$03EF contain 496 bytes of user ROM. The eight addresses from \$03F8 to \$03FF are user ROM locations reserved for interrupt vectors and reset vectors.

2.6 Personality EPROM (MC68HC05K1 Only)

In an MC68HC05K1 MCU, the personality EPROM cannot be erased and serves as a 64-bit array of one-time programmable ROM (OTPROM).

Section 3. Central Processor Unit (CPU)

3.1 Contents

3.2	Introduction	35
3.3	CPU Registers	36
3.3.1	Accumulator	37
3.3.2	Index Register	37
3.3.3	Stack Pointer	38
3.3.4	Program Counter	39
3.3.5	Condition Code Register	40
3.4	Arithmetic/Logic Unit (ALU)	41

3.2 Introduction

The central processor unit (CPU) contains five registers and an arithmetic/logic unit (ALU).

3.3 CPU Registers

Figure 3-1 shows the five CPU registers. CPU registers are not part of the memory map.

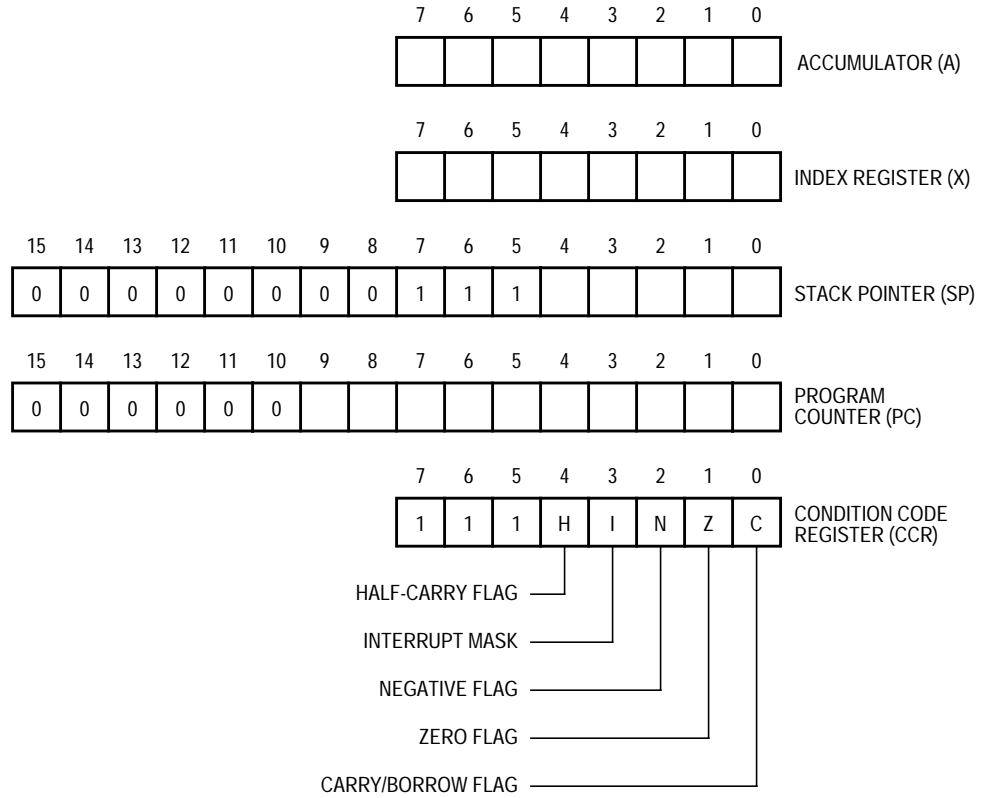


Figure 3-1. Programming Model

3.3.1 Accumulator

The accumulator (A) shown in **Figure 3-2** is a general-purpose 8-bit register. The accumulator holds operands and results of arithmetic and non-arithmetic operations.

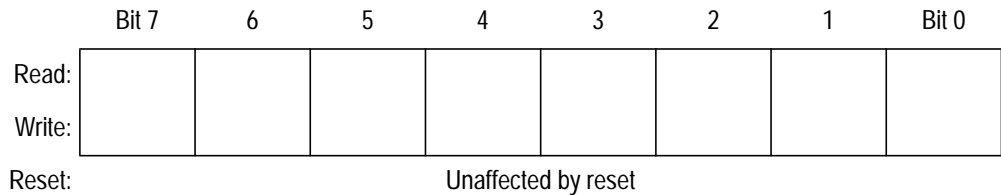


Figure 3-2. Accumulator (A)

3.3.2 Index Register

In the indexed addressing modes, the CPU uses the byte in the index register (X) to determine the effective address of the operand. (See **10.3.5 Indexed, No Offset**, **10.3.6 Indexed, 8-Bit Offset**, **10.3.7 Indexed, 16-Bit Offset**.) The 8-bit index register shown in **Figure 3-3** can also serve as a temporary data storage location.

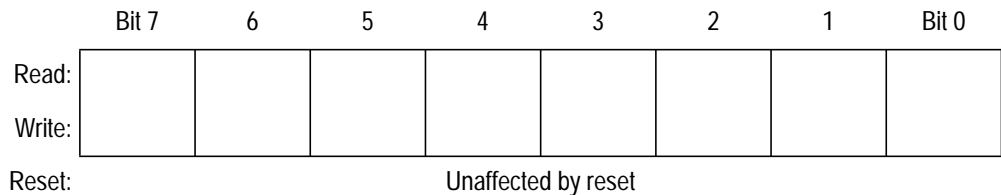


Figure 3-3. Index Register (X)

3.3.3 Stack Pointer

The stack pointer (SP) shown in **Figure 3-4** is a 16-bit register that contains the address of the next location on the stack. During a reset or after the reset stack pointer (RSP) instruction, the stack pointer initializes to \$00FF. The address in the stack pointer decrements as data is pushed onto the stack and increments as data is pulled from the stack.

The 11 most significant bits of the stack pointer are permanently fixed at 0000000111, so the stack pointer produces addresses from \$00FF to \$00E0. If subroutines and interrupts use more than 32 stack locations, the stack pointer wraps around to address \$00FF and begins writing over the previously stored data. A subroutine call uses two stack locations; an interrupt uses five locations.

	Bit 15	14	13	12	11	10	9	8	7	6	5	4	3	2	1	Bit 0
Read:	0	0	0	0	0	0	0	0	1	1	1					
Write:																
Reset:	0	0	0	0	0	0	0	0	1	1	1	1	1	1	1	1

Figure 3-4. Stack Pointer (SP)

3.3.4 Program Counter

The program counter (PC) shown in **Figure 3-5** is a 16-bit register that contains the address of the next instruction or operand to be fetched. The six most significant bits of the program counter are ignored internally and appear as 000000 when stacked.

Normally, the address in the program counter automatically increments to the next sequential memory location every time an instruction or operand is fetched. Jump, branch, and interrupt operations load the program counter with an address other than that of the next sequential location.

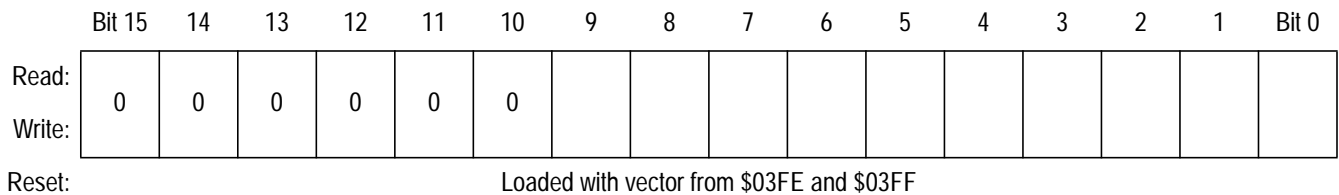


Figure 3-5. Program Counter

3.3.5 Condition Code Register

The condition code register (CCR) shown in **Figure 3-6** is an 8-bit register whose three most significant bits are permanently fixed at 111. The condition code register contains the interrupt mask and four flags that indicate the results of prior instructions.

	7	6	5	4	3	2	1	0
Read:	1	1	1	H	I	N	Z	C
Write:								
Reset:	1	1	1	U	1	U	U	U

U = Unaffected

Figure 3-6. Condition Code Register (CCR)

Bits 7–5

Bits 7–5 always read as logic 1.

H — Half-Carry Flag

The CPU sets the half-carry flag when a carry occurs between bits 3 and 4 of the accumulator during an add without carry (ADD) or add with carry (ADC) operation. The half-carry bit is required for binary-coded decimal (BCD) arithmetic operations. Reset has no effect on the half-carry flag.

I — Interrupt Mask Bit

Setting the interrupt mask (I) disables interrupts. If an interrupt request occurs while the interrupt mask is a logic 0, the CPU saves the CPU registers on the stack, sets the interrupt mask, and then fetches the interrupt vector. If an interrupt request occurs while the interrupt mask is set, the interrupt request is latched. The CPU processes the latched interrupt as soon as the interrupt mask is cleared again.

A return-from-interrupt (RTI) instruction pulls the CPU registers from the stack, restoring the interrupt mask to its cleared state. After a reset, the interrupt mask is set and can be cleared only by a clear interrupt mask bit (CLI), STOP, or WAIT instruction.

N — Negative Flag

The CPU sets the negative flag when an arithmetic operation, logical operation, or data manipulation produces a negative result. Reset has no effect on the negative flag.

Z — Zero Flag

The CPU sets the zero flag when an arithmetic operation, logical operation, or data manipulation produces a result of \$00. Reset has no effect on the zero flag.

C — Carry/Borrow Flag

The CPU sets the carry/borrow flag when an addition operation produces a carry out of bit 7 of the accumulator or when a subtraction operation requires a borrow. Some logical operations and data manipulation instructions also clear or set the carry/borrow flag. Reset has no effect on the carry/borrow flag.

3.4 Arithmetic/Logic Unit (ALU)

The ALU performs the arithmetic and logical operations defined by the instruction set. The binary arithmetic circuits decode instructions and set up the ALU for the selected operation.

Section 4. Interrupts

4.1 Contents

4.2	Introduction	43
4.3	Interrupt Types	44
4.3.1	Software Interrupt	44
4.3.2	External Interrupts	44
4.3.2.1	$\overline{\text{IRQ}}/V_{PP}$ Pin	45
4.3.2.2	PA3–PA0 Pins	46
4.3.2.3	IRQ Status and Control Register	48
4.3.3	Timer Interrupts	49
4.3.3.1	Timer Overflow Interrupt	49
4.3.3.2	Real-Time Interrupt	49
4.4	Interrupt Processing	50

4.2 Introduction

This section describes how interrupts temporarily change the processing sequence.

4.3 Interrupt Types

These conditions generate interrupts:

- SWI instruction (software interrupt)
- A logic 0 applied to the $\overline{\text{IRQ}}/V_{\text{PP}}$ pin (external interrupt)
- A logic 1 applied to one of the PA3–PA0 pins if the port A external interrupt mask option is selected (external interrupt)
- A timer overflow (timer interrupt)
- Expiration of the real-time interrupt period (timer interrupt)

An interrupt temporarily suspends normal program execution to process a particular event. An interrupt does not stop the execution of the instruction in progress, but takes effect when the current instruction completes its execution. Interrupt processing automatically saves the central processor unit (CPU) registers on the stack and loads the program counter with a user-defined vector address.

4.3.1 Software Interrupt

The software interrupt (SWI) instruction causes a non-maskable interrupt.

4.3.2 External Interrupts

These sources can generate external interrupts:

- $\overline{\text{IRQ}}/V_{\text{PP}}$ pin
- PA3–PA0 pins if the port A external interrupts mask option is selected

Setting the I bit in the condition code register or clearing the IRQE bit in the interrupt status and control register disables external interrupts.

See [Figure 4-2](#).

4.3.2.1 \overline{IRQ}/V_{PP} Pin

An interrupt signal on the \overline{IRQ}/V_{PP} pin latches an external interrupt request. The \overline{IRQ}/V_{PP} pin contains an internal Schmitt trigger as part of its input to improve noise immunity. After completing the current instruction, the CPU tests these bits:

- IRQF bit in the interrupt status and control register
- IRQE bit in the interrupt status and control register
- I bit in the condition code register

If both the IRQF bit and the IRQE bit are set, and the I bit is clear, the CPU then begins the interrupt sequence. The CPU clears the IRQF bit while it fetches the interrupt vector, so that another external interrupt request can be latched during the interrupt service routine. As soon as the I bit is cleared during the return from interrupt, the CPU can recognize the new interrupt request. **Figure 4-1** shows the logic for external interrupts.

The \overline{IRQ}/V_{PP} pin is negative-edge triggered only or negative-edge and low-level triggered, depending on the mask option selected.

When the edge- and level-sensitive trigger mask option is selected:

- A falling edge or a low level on the \overline{IRQ}/V_{PP} pin latches an external interrupt request.
- As long as the \overline{IRQ}/V_{PP} pin is low, an external interrupt request is present, and the CPU continues to execute the interrupt service routine. The edge- and level-sensitive trigger option allows connection to the \overline{IRQ}/V_{PP} pin to multiple wired-OR interrupt sources.

When the edge-sensitive only trigger mask option is selected:

- A falling edge of the \overline{IRQ}/V_{PP} pin latches an external interrupt request.
- A subsequent interrupt request can be latched only after the voltage level on the \overline{IRQ}/V_{PP} pin returns to logic 1 and then falls again to logic 0.

NOTE: If the \overline{IRQ}/V_{PP} pin is not in use, connect it to the V_{DD} pin.

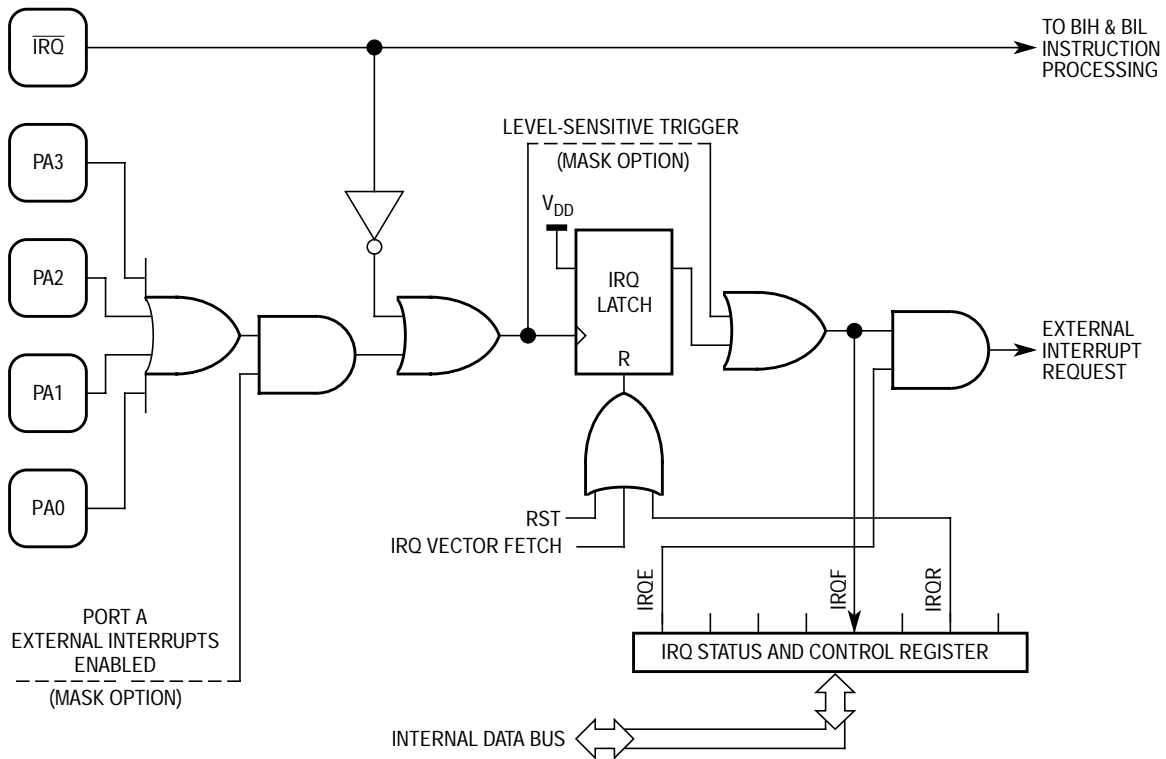


Figure 4-1. External Interrupt Logic

4.3.2.2 PA3–PA0 Pins

The mask option for port A external interrupts enables pins PA3–PA0 to serve as additional external interrupt sources. The PA3–PA0 pins do not contain internal Schmitt triggers. An interrupt signal on one of the PA3–PA0 pins latches an external interrupt request. After completing the current instruction, the CPU tests these bits:

- IRQF bit (IRQ latch)
- IRQE bit in the interrupt status and control register
- I bit in the condition code register

If both the IRQ latch and the IRQE bit are set and the I bit is clear, the CPU then begins the interrupt sequence. The CPU clears the IRQ latch while it fetches the interrupt vector, so that another external interrupt request can be latched during the interrupt service routine. As soon as

the I bit is cleared during the return from interrupt, the CPU can recognize the new interrupt request.

The PA3–PA0 pins are positive edge triggered only or positive-edge and high-level triggered, depending on the mask option selected.

When the positive edge and high level-sensitive trigger mask option is selected:

- A rising edge or a high level on a PA3–PA0 pin latches an external interrupt request if and only if all other PA3–PA0 pins are low and the $\overline{\text{IRQ}}/V_{\text{PP}}$ pin is high.
- A falling edge or a low level on the $\overline{\text{IRQ}}/V_{\text{PP}}$ pin latches an external interrupt request if and only if all of the PA3–PA0 pins are low.
- As long as any PA3–PA0 pin is high or the $\overline{\text{IRQ}}/V_{\text{PP}}$ pin is low, an external interrupt request is present, and the CPU continues to execute the interrupt service routine.

Edge- and level-sensitive triggering allows multiple external interrupt sources to be wire-ORed to any of the PA3–PA0 pins. As long as any source is holding a PA3–PA0 pin high, an external interrupt request is latched, and the CPU continues to execute the interrupt service routine.

When the positive edge-sensitive-only trigger mask option is selected:

- A rising edge on any one of the PA3–PA0 pins latches an external interrupt request if all other PA3–PA0 pins are low and the $\overline{\text{IRQ}}/V_{\text{PP}}$ pin is high.
- A falling edge on the $\overline{\text{IRQ}}/V_{\text{PP}}$ pin latches an external interrupt request if and only if all of the PA3–PA0 pins are low.
- A subsequent PA3–PA0 pin interrupt request can be latched only after the voltage level of the previous PA3–PA0 interrupt signal returns to a logic 0 and then rises again to a logic 1.
- A subsequent $\overline{\text{IRQ}}/V_{\text{PP}}$ pin interrupt request can be latched only after the voltage level of the previous $\overline{\text{IRQ}}/V_{\text{PP}}$ interrupt signal returns to a logic 1 and then falls again to a logic 0.

4.3.2.3 IRQ Status and Control Register

The IRQ status and control register (ISCR), shown in **Figure 4-2**, contains an external interrupt mask, an external interrupt flag, and a flag reset bit. Unused bits read as logic 0s.

Address: \$000A

	Bit 7	6	5	4	3	2	1	Bit 0
Read:	IRQE	0	0	0	IRQF	0	0	0
Write:							IRQR	
Reset:	1	0	0	0	0	0	U	0

= Unimplemented U = Unaffected

Figure 4-2. IRQ Status and Control Register (ISCR)

IRQE — External Interrupt Request Enable Bit

This read/write bit enables external interrupts. Reset sets the IRQE bit.

- 1 = External interrupt processing enabled
- 0 = External interrupt processing disabled

IRQF — External Interrupt Request Flag

The IRQF bit (IRQ latch) is a clearable, read-only bit that is set when an external interrupt request is pending. Reset clears the IRQF bit.

- 1 = Interrupt request pending
- 0 = No interrupt request pending

These conditions set the IRQF bit:

- An external interrupt signal on the \overline{IRQ}/V_{PP} pin
- An external interrupt signal on pin PA3, PA2, PA1, or PA0 if PA3–PA0 are enabled by mask option to serve as external interrupt sources

The CPU clears the IRQF bit when fetching the interrupt vector. Writing to the IRQF bit has no effect. Writing a logic 1 to the IRQR bit clears the IRQF bit.

IRQR — Interrupt Request Reset Bit

Writing a logic 1 to this write-only bit clears the IRQF bit. Writing a logic 0 to IRQR has no effect. Reset has no effect on IRQR.

1 = IRQF bit cleared

0 = No effect

4.3.3 Timer Interrupts

The multifunction timer can generate these interrupts:

- Timer overflow interrupt
- Real-time interrupt

Setting the I bit in the condition code register disables all timer interrupts.

4.3.3.1 Timer Overflow Interrupt

A timer overflow interrupt request occurs if the timer overflow flag (TOF) becomes set while the timer overflow interrupt enable bit (TOIE) is also set. See [8.3 Timer Status and Control Register](#).

4.3.3.2 Real-Time Interrupt

A real-time interrupt request occurs if the real-time interrupt flag, RTIF, becomes set while the real-time interrupt enable bit, RTIE, is also set. See [8.3 Timer Status and Control Register](#).

4.4 Interrupt Processing

To begin servicing an interrupt, the CPU:

- Stores the CPU registers on the stack in the order shown in **Figure 4-3**
- Sets the I bit in the condition code register to prevent further interrupts
- Loads the program counter with the contents of the appropriate interrupt vector locations:
 - \$03FC and \$03FD (software interrupt vector)
 - \$03FA and \$03FB (external interrupt vector)
 - \$03F8 and \$03F9 (timer interrupt vector)

The return-from-interrupt (RTI) instruction causes the CPU to recover the CPU registers from the stack as shown in **Figure 4-3**.

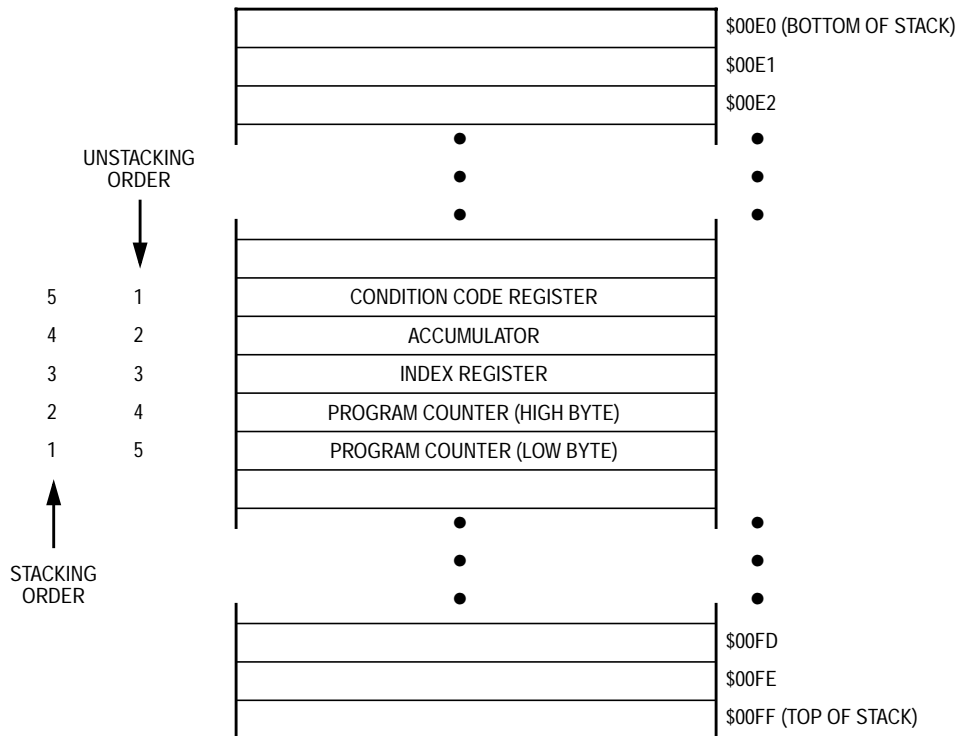


Figure 4-3. Interrupt Stacking Order

Table 4-1 summarizes the reset and interrupt sources and vector assignments.

Table 4-1. Reset/Interrupt Vector Addresses

Function	Source	Local Mask	Global Mask	Priority (1 = Highest)	Vector Address
Reset	Power-on logic	None	None	1	\$03FE–\$03FF
	RESET pin				
	COP watchdog ⁽¹⁾				
	Low-voltage detect ⁽²⁾				
	Illegal address logic				
Software interrupt (SWI)	User code	None	None	Same priority as instruction	\$03FC–\$03FD
External interrupts	IRQ/V _{PP} pin	IRQE bit	I bit	2	\$03FA–\$03FB
	PA3 pin ⁽³⁾				
	PA2 pin ⁽³⁾				
	PA1 pin ⁽³⁾				
	PA0 pin ⁽³⁾				
Timer interrupts	TOF bit	TOIE bit	I bit	3	\$03F8–\$03F9
	RTIF bit	RTIE bit			

1. The computer operating properly (COP) watchdog is a mask option.
2. The low-voltage reset function is a mask option.
3. Port A interrupt capability is a mask option.

NOTE: *If more than one interrupt request is pending, the CPU fetches the vector of the higher priority interrupt first. A higher priority interrupt does not interrupt a lower priority interrupt service routine unless the lower priority interrupt service routine clears the I bit.*

Figure 4-4 shows the sequence of events caused by an interrupt.

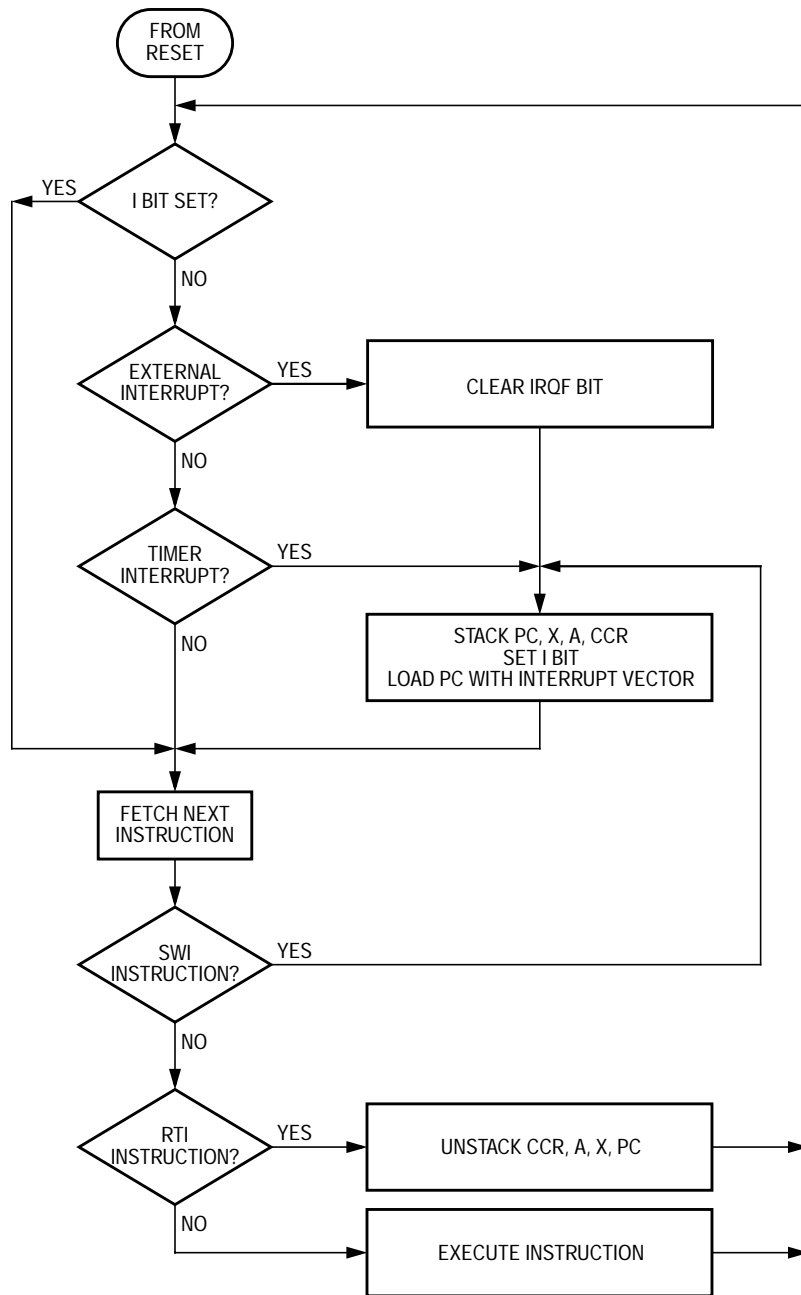


Figure 4-4. Interrupt Flowchart

Section 5. Resets

5.1 Contents

5.2	Introduction	53
5.3	Reset Types	54
5.3.1	Power-On Reset	54
5.3.2	External Reset	55
5.3.3	Computer Operating Properly (COP) Reset	56
5.3.4	Illegal Address Reset	56
5.3.5	Low-Voltage Reset	57
5.4	Reset States	57
5.4.1	CPU	57
5.4.2	I/O Port Registers	58
5.4.3	Timer	58
5.4.4	COP Watchdog	58

5.2 Introduction

This section describes the five reset sources and how they initialize the microcontroller unit (MCU).

5.3 Reset Types

A reset immediately stops the operation of the instruction being executed, initializes certain control bits, and loads the program counter with a user-defined reset vector address.

These conditions produce a reset:

- Initial power-up (power-on reset)
- A logic 0 applied to the $\overline{\text{RESET}}$ pin (external reset)
- Timeout of the mask-optional computer operating properly (COP) watchdog (COP reset)
- An opcode fetch from an address not in the read-only memory (ROM) or random-access memory (RAM) (illegal address reset)
- V_{DD} voltage below LVR trip point (mask-optional low-voltage reset)

Figure 5-1 is a block diagram of the reset sources.

5.3.1 Power-On Reset

A positive transition on the V_{DD} pin generates a power-on reset. The power-on reset is strictly for power-up conditions and cannot be used to detect drops in power supply voltage.

A $4064 t_{cyc}$ (internal clock cycle) delay after the oscillator becomes active allows the clock generator to stabilize. If the $\overline{\text{RESET}}$ pin is at a logic 0 at the end of $4064 t_{cyc}$, the MCU remains in the reset condition until the signal on the $\overline{\text{RESET}}$ pin goes to a logic 1.

5.3.2 External Reset

An external reset is generated by applying a logic 0 for $1 \frac{1}{2} t_{cyc}$ to the \overline{RESET} pin. A Schmitt trigger senses the logic level at the \overline{RESET} pin.

A COP reset or an illegal address reset pulls the \overline{RESET} pin low for one internal clock cycle. A low-voltage reset pulls the \overline{RESET} pin low for as long as the low-voltage condition exists.

NOTE: To avoid overloading some power supply designs, do not connect the \overline{RESET} pin directly to V_{DD} . Use a pullup resistor of 10 k Ω or more.

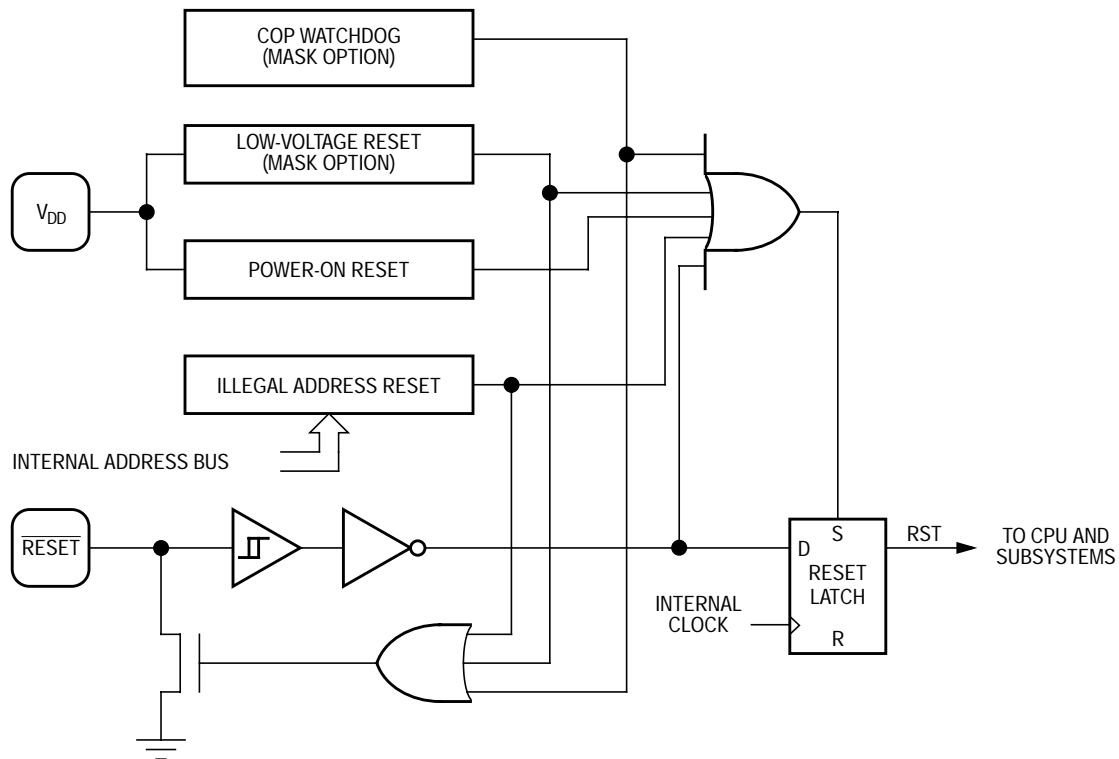


Figure 5-1. Reset Sources

5.3.3 Computer Operating Properly (COP) Reset

A timeout of the computer operating properly (COP) watchdog generates a COP reset. The COP watchdog is part of a software error detection system and must be cleared periodically to start a new timeout period. To clear the COP watchdog and prevent a COP reset, write a logic 0 to bit 0 (COPC) of the COP register at location \$03F0. See [8.5 COP Watchdog](#).

The COP register, shown in [Figure 5-2](#), is a write-only register that returns the contents of a ROM location when read.

The COP watchdog function is a mask option.

Address: \$03F0

	Bit 7	6	5	4	3	2	1	Bit 0
Read:	0	0	0	0	0	0	1	0
Write:								COPC
Reset:	U	U	U	U	U	U	U	0


 = Unimplemented U = Unaffected

Figure 5-2. COP Register (COPR)

COPC — COP Clear Bit

COPC is a write-only bit. Periodically writing a logic 0 to COPC prevents the COP watchdog from resetting the MCU. Writing a logic 1 has no effect. Reset clears the COPC bit.

5.3.4 Illegal Address Reset

An opcode fetch from an address that is not in the ROM (locations \$0200–\$03FF) or the RAM (locations \$00E0–\$00FF) generates an illegal address reset. An illegal address reset pulls the $\overline{\text{RESET}}$ pin low for one cycle of the internal clock.

5.3.5 Low-Voltage Reset

The low-voltage reset circuit is a mask option that generates a reset signal if the voltage on the V_{DD} pin falls below the LVR trip point. V_{DD} must be set at $5\text{ V} \pm 10\%$ if the mask option enabling the low-voltage reset circuit is selected.

A low-voltage reset pulls the $\overline{\text{RESET}}$ pin low for as long as the low-voltage condition exists.

NOTE: *When the low-voltage reset is enabled, use a pullup resistor on $\overline{\text{RESET}}$ because low-voltage reset shorts $\overline{\text{RESET}}$ to ground when it detects a low V_{DD} . If there is no pullup to limit current, low-voltage reset will short V_{DD} to ground, causing the chip to possibly remain in reset due to V_{DD} being pulled down by the short. V_{DD} may also pull current and permanently damage the chip.*

5.4 Reset States

This subsection describes how resets initialize the MCU.

5.4.1 CPU

A reset has these effects on the CPU:

- Loads the stack pointer with \$FF
- Sets the I bit in the condition code register, inhibiting interrupts
- Sets the IRQE bit in the interrupt status and control register
- Loads the program counter with the user-defined reset vector from locations \$03FE and \$03FF
- Clears the IRQF bit (IRQ latch)
- Clears the stop latch, enabling the CPU clock, or exiting the halt mode
- Clears the wait latch, waking the CPU from wait mode

5.4.2 I/O Port Registers

A reset has these effects on input/output (I/O) port registers:

- Clears bits DDRA7–DDRA0 in data direction register A so that port A pins are inputs
- Clears bits PDIA7–PDIA0 in pulldown register A, turning on port A pulldown devices (if pulldown devices are enabled by mask option)
- Clears bits DDRB1 and DDRB0 in data direction register B so that port B pins are inputs
- Clears bits PDIB1 and PDIB0 in pulldown register B, turning on port B pulldown devices (if pulldown devices are enabled by mask option)
- Has no effect on port A or port B data registers

5.4.3 Timer

A reset has these effects on the multifunction timer:

- Clears the timer status and control register
- Clears the timer counter register

5.4.4 COP Watchdog

A reset clears the COP watchdog timeout counter.

Section 6. Low-Power Modes

6.1 Contents

6.2	Introduction	59
6.3	Stop Mode	60
6.4	Wait Mode	61
6.5	Halt Mode	62
6.6	Data-Retention Mode	62

6.2 Introduction

This section describes the four low-power modes:

- Stop mode
- Wait mode
- Halt mode
- Data-retention mode

6.3 Stop Mode

The STOP instruction puts the microcontroller unit (MCU) in its lowest power-consumption mode and has these effects on the MCU:

- Clears TOF and RTIF, the timer interrupt flags in the timer status and control register, removing any pending timer interrupts
- Clears TOIE and RTIE, the timer interrupt enable bits in the timer status and control register, disabling further timer interrupts
- Clears the multifunction timer counter register
- Sets the IRQE bit in the IRQ status and control register to enable external interrupts
- Clears the I bit in the condition code register, enabling interrupts
- Stops the internal oscillator, turning off the central processor unit (CPU) clock and the timer clock, including the computer operating properly (COP) watchdog, and holds OSC2 at a logic 1

The STOP instruction does not affect any other registers or any input/output (I/O) lines.

These conditions bring the MCU out of stop mode:

- An external interrupt signal on the $\overline{\text{IRQ}}/\text{V}_{\text{PP}}$ pin — A high-to-low transition on the $\overline{\text{IRQ}}/\text{V}_{\text{PP}}$ pin loads the program counter with the contents of locations \$03FA and \$03FB.
- An external interrupt signal on a port A external interrupt pin — If the mask option for the port A external interrupt function is selected, a low-to-high transition on a PA3–PA0 pin loads the program counter with the contents of locations \$03FA and \$03FB.
- Low-voltage reset — A low-voltage detect resets the MCU and loads the program counter with the contents of locations \$03FE and \$03FF (if this mask option is selected).
- External reset — A logic 0 on the $\overline{\text{RESET}}$ pin resets the MCU and loads the program counter with the contents of locations \$03FE and \$03FF.

When the MCU exits stop mode, processing resumes after a stabilization delay of 4064 oscillator cycles.

6.4 Wait Mode

The WAIT instruction puts the MCU in an intermediate power-consumption mode and has these effects on the MCU:

- Clears the I bit in the condition code register, enabling interrupts
- Sets the IRQE bit in the IRQ status and control register, enabling external interrupts
- Stops the CPU clock, but allows the internal oscillator and timer clock to continue to run

The WAIT instruction does not affect any other registers or any I/O lines.

These conditions restart the CPU clock and bring the MCU out of wait mode:

- An external interrupt signal on the $\overline{\text{IRQ}}/V_{\text{PP}}$ pin — A high-to-low transition on the $\overline{\text{IRQ}}/V_{\text{PP}}$ pin loads the program counter with the contents of locations \$03FA and \$03FB.
- An external interrupt signal on a port A external interrupt pin — If the mask option for the port A external interrupt function is selected, a low-to-high transition on a PA3–PA0 pin loads the program counter with the contents of locations \$03FA and \$03FB.
- A timer interrupt — A timer overflow or a real-time interrupt request loads the program counter with the contents of locations \$03F8 and \$03F9.
- A COP watchdog reset — A timeout of the mask-optional COP watchdog resets the MCU and loads the program counter with the contents of locations \$03FE and \$03FF. Software can enable real-time interrupts so that the MCU can periodically exit wait mode to reset the COP watchdog.
- Low-voltage reset — A low-voltage detect resets the MCU and loads the program counter with the contents of locations \$03FE and \$03FF (if this mask option is selected).
- External reset — A logic 0 on the $\overline{\text{RESET}}$ pin resets the MCU and loads the program counter with the contents of locations \$03FE and \$03FF.

6.5 Halt Mode

If the mask option to disable the STOP instruction is selected, a STOP instruction puts the MCU in halt mode. Halt mode is identical to wait mode, except that a recovery delay of from 1 to 4064 internal clock cycles occurs when the MCU exits halt mode. If the mask option to disable the STOP instruction is selected, the COP watchdog cannot be turned off inadvertently by a STOP instruction.

Figure 6-1 shows the sequence of events in stop, wait, and halt modes.

6.6 Data-Retention Mode

In data-retention mode, the MCU retains random-access memory (RAM) contents and CPU register contents at V_{DD} voltages as low as 2.0 Vdc. The data-retention feature allows the MCU to remain in a low power-consumption state during which it retains data, but the CPU cannot execute instructions.

To put the MCU in data-retention mode:

1. Drive the $\overline{\text{RESET}}$ pin to a logic 0.
2. Lower the V_{DD} voltage. The $\overline{\text{RESET}}$ pin must remain low continuously during data-retention mode.

To take the MCU out of data-retention mode:

1. Return V_{DD} to normal operating voltage.
2. Return the $\overline{\text{RESET}}$ pin to a logic 1.

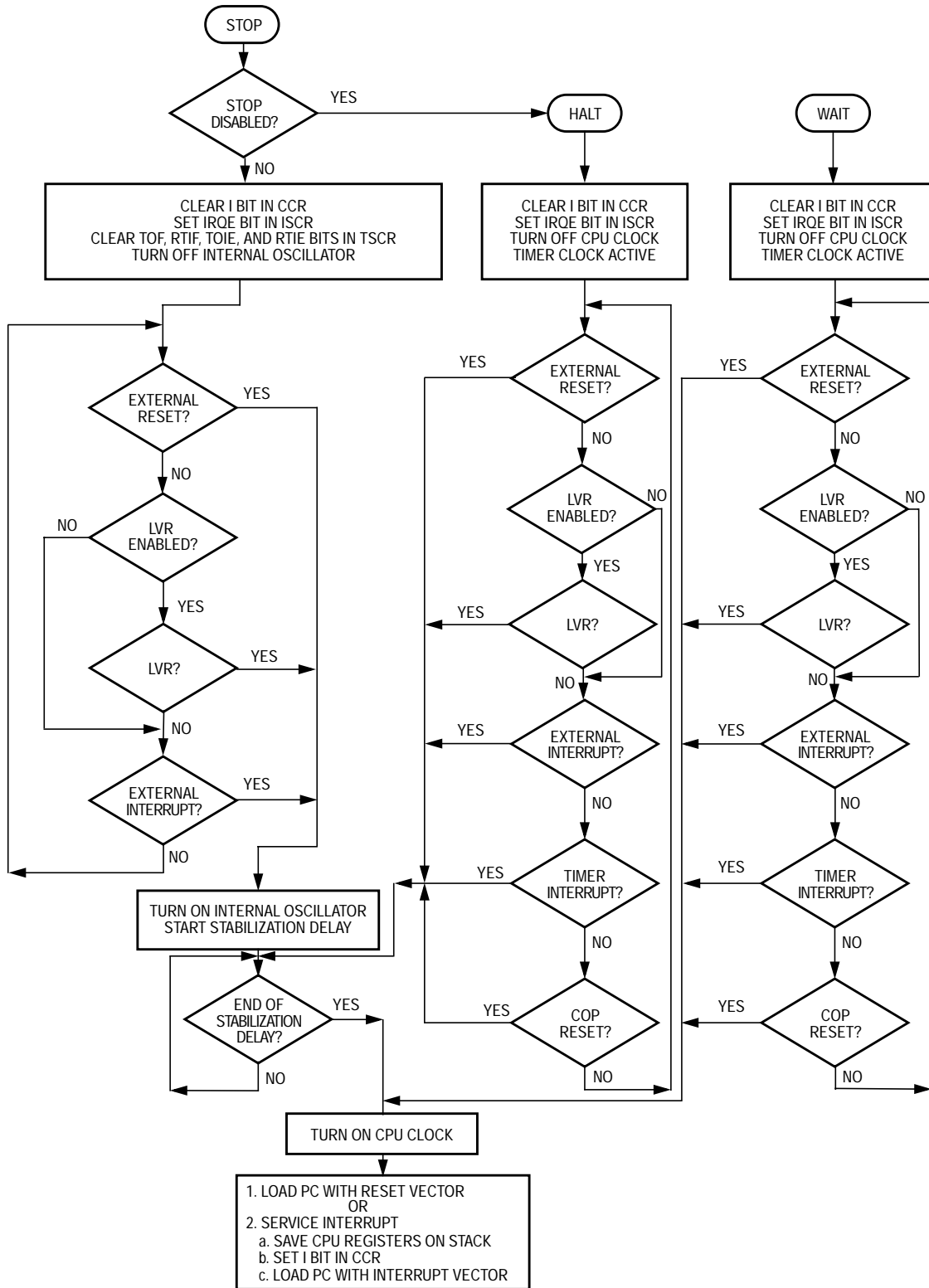


Figure 6-1. Stop/Wait/Halt Flowchart

Section 7. Parallel Input/Output (I/O)

7.1 Contents

7.2	Introduction	65
7.3	Port A	66
7.3.1	Port A Data Register	66
7.3.2	Data Direction Register A	67
7.3.3	Pulldown Register A	68
7.3.4	Port A External Interrupts	69
7.3.5	Port A Logic	69
7.4	Port B	70
7.4.1	Port B Data Register	70
7.4.2	Data Direction Register B	72
7.4.3	Pulldown Register B	73
7.4.4	Port B Logic	74

7.2 Introduction

The 10 bidirectional input/output (I/O) pins form two parallel I/O ports. Each I/O pin is programmable as an input or an output. The contents of the data direction registers determine the data direction of each I/O pin.

All 10 I/O pins have mask-optional pulldown devices.

7.3 Port A

Port A is an 8-bit, general-purpose, bidirectional I/O port with these features:

- Programmable pulldown devices (mask option)
- 8-mA current sinking capability (pins PA7–PA4)
- External interrupt capability (pins PA3–PA0) (mask option)

7.3.1 Port A Data Register

The port A data register (PORTA), shown in **Figure 7-1**, contains a bit for each of the port A pins. When a port A pin is programmed to be an output, the state of its data register bit determines the state of the output pin. When a port A pin is programmed to be an input, reading the port A data register returns the logic state of the pin. The port A data register may be written to while the port is either an input or an output.

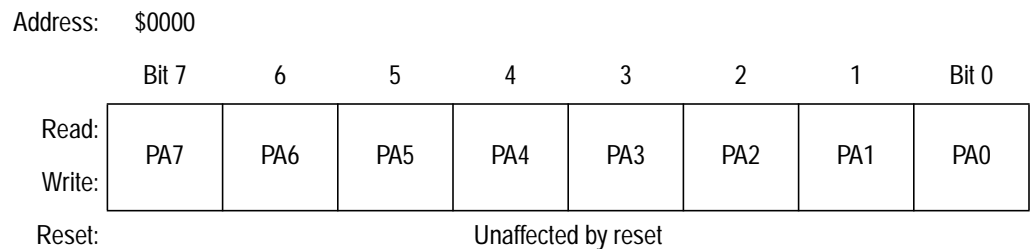


Figure 7-1. Port A Data Register (PORTA)

PA7–PA0 — Port A Data Bits

These read/write bits are software-programmable. Data direction of each bit is under the control of the corresponding bit in data direction register A. Reset has no effect on port A data.

7.3.2 Data Direction Register A

The contents of data direction register A (DDRA), shown in **Figure 7-2**, determine whether each port A pin is an input or an output. Writing a logic 1 to a DDRA bit enables the output buffer for the associated port A pin; a logic 0 disables the output buffer. A reset initializes all DDRA bits to logic 0s, configuring all port A pins as inputs. If the pulldown devices are enabled by mask option, setting a DDRA bit to a logic 1 turns off the pulldown device for that pin.

Address: \$0004

	Bit 7	6	5	4	3	2	1	Bit 0
Read:	DDRA7	DDRA6	DDRA5	DDRA4	DDRA3	DDRA2	DDRA1	DDRA0
Write:								
Reset:	0	0	0	0	0	0	0	0

Figure 7-2. Data Direction Register A (DDRA)

DDRA7–DDRA0 — Port A Data Direction Bits

These read/write bits control port A data direction. Reset clears bits DDRA7–DDRA0.

- 1 = Corresponding port A pin configured as output
- 0 = Corresponding port A pin configured as input

NOTE: *Avoid glitches on port A pins by writing to the port A data register before changing DDRA bits from logic 0 to logic 1.*

7.3.3 Pulldown Register A

Port A pins have mask-optional pulldown devices that sink approximately 100 μ A. Clearing the PDIA7–PDIA0 bits in pulldown register A turns on the port A pulldown devices. Pulldown register A, shown in **Figure 7-3**, can turn on a port A pulldown device only when the port A pin is an input.

If the pulldown mask option is selected, reset initializes all port A and port B pins as inputs with pulldown devices turned on.

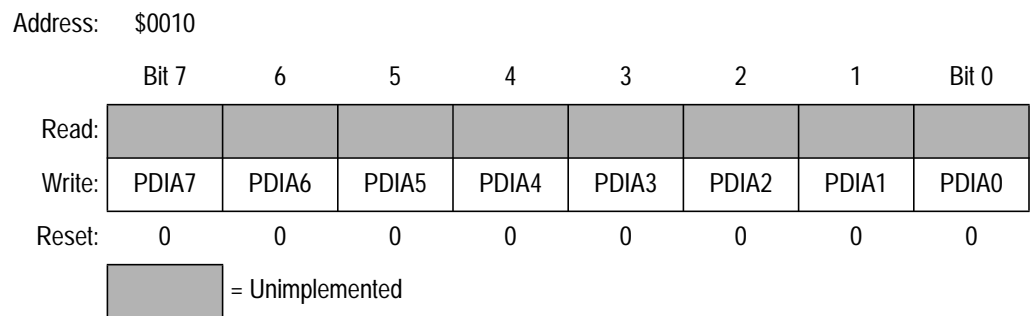


Figure 7-3. Pulldown Register A (PDRA)

PDIA7–PDIA0 — Port A Pulldown Inhibit Bits 7–0

Writing logic 0s to these write-only bits turns on the port A pulldown devices. Reading pulldown register A returns undefined data. Reset clears bits PDIA7–PDIA0.

- 1 = Corresponding port A pin pulldown device turned off
- 0 = Corresponding port A pin pulldown device turned on

NOTE: *To avoid excessive current draw, connect all unused input pins to V_{DD} or V_{SS} . Or change I/O pins to outputs by writing to DDRA in user initialization code. Avoid a floating port A input by clearing its pulldown register bit before changing its DDRA bit from logic 1 to logic 0.*

Because pulldown register A is a write-only register, using the read-modify-write instruction may result in inadvertently turning bits on or off.

7.3.4 Port A External Interrupts

If the mask option for port A external interrupts is selected, the PA3–PA0 pins serve as external interrupt pins in addition to the \overline{IRQ}/V_{PP} pin. External interrupts can be positive edge-triggered or positive edge- and high level-triggered.

NOTE: When testing for external interrupts, the BIH and BIL instructions test the voltage on the \overline{IRQ}/V_{PP} pin, not the state of the internal IRQ signal. Therefore, BIH and BIL do not test the port A external interrupt pins.

Port A interrupts are not sensitive to the direction of the port pins. Driving a logic 1 on PA0–PA3 while port interrupts are enabled will cause an interrupt, even if PA0–PA3 are set to outputs.

7.3.5 Port A Logic

Figure 7-4 shows the port A I/O logic.

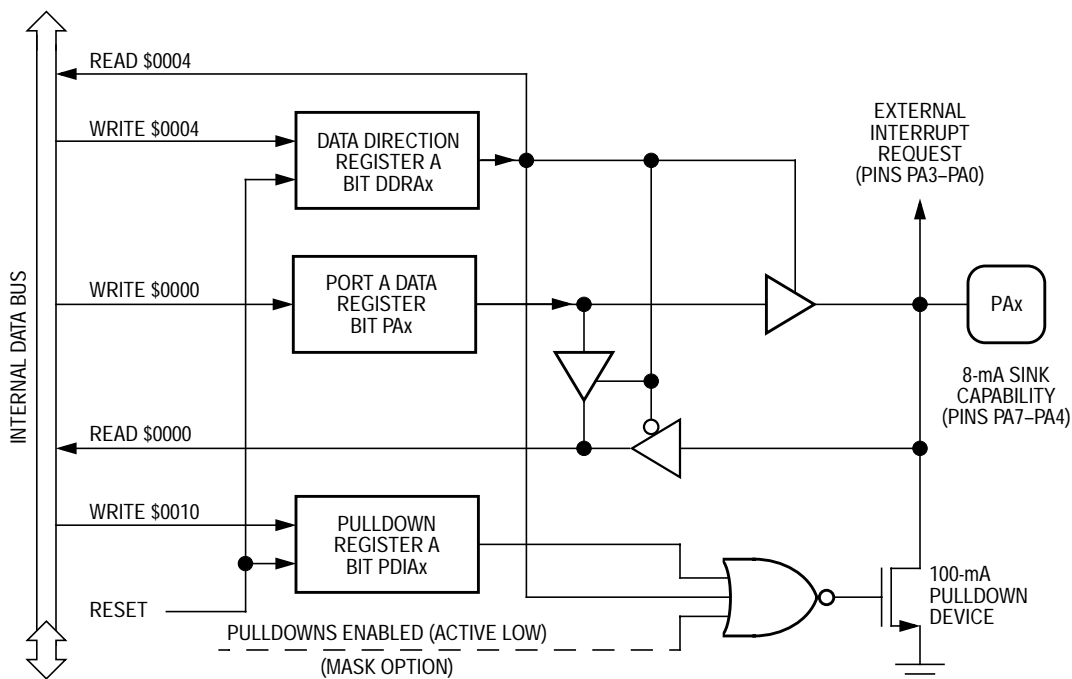


Figure 7-4. Port A I/O Circuit

When a port A pin is programmed as an output, reading the port bit actually reads the value of the data latch and not the voltage on the pin itself. When a port A pin is programmed as an input, reading the port bit reads the voltage level on the pin. The data latch can always be written, regardless of the state of its DDR bit. [Table 7-1](#) summarizes the operations of the port A pins.

Table 7-1. Port A Pin Functions

Pulldown Mask Option	Control Bits		I/O Pin Mode	Accesses to PDRA		Accesses to DDRA	Accesses to PORTA	
	PDIAx	DDRAx		Read	Write	Read/Write	Read	Write
No	X	0	Input, hi-z	U	PDIA7–PDIA0	DDRA7–DDRA0	Pin	PA0–PA7
No	X	1	Output	U	PDIA7–PDIA0	DDRA7–DDRA0	PA0–PA7	PA0–PA7
Yes	0	0	Input, pulldown on	U	PDIA7–PDIA0	DDRA7–DDRA0	Pin	PA0–PA7
Yes	0	1	Output	U	PDIA7–PDIA0	DDRA7–DDRA0	PA0–PA7	PA0–PA7
Yes	1	0	Input, hi-z	U	PDIA7–PDIA0	DDRA7–DDRA0	Pin	PA0–PA7
Yes	1	1	Output	U	PDIA7–PDIA0	DDRA7–DDRA0	PA0–PA7	PA0–PA7

X = Don't care

U = Undefined

7.4 Port B

Port B is a 2-bit, general-purpose, bidirectional I/O port with these features:

- Programmable pulldown devices (mask option)
- Oscillator output for 3-pin resistor-capacitor (RC) oscillator mask option

7.4.1 Port B Data Register

The port B data register (PORTB), shown in [Figure 7-5](#), contains a bit for each of the port B pins. When a port B pin is programmed to be an output, the state of its data register bit determines the state of the output pin. When a port B pin is programmed to be an input, reading the port B

data register returns the logic state of the pin. Reset has no effect on port B data.

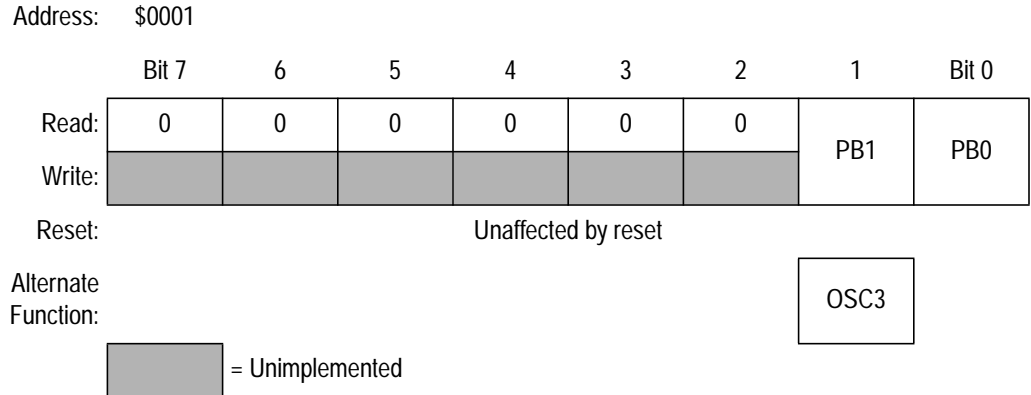


Figure 7-5. Port B Data Register (PORTB)

PB1/OSC3 — Port B Data Bit 1

This read/write bit is software programmable. Data direction of PB1 is under the control of the DDRB1 bit in data direction register B.

When the 3-pin RC oscillator mask option is selected, PB1/OSC3 is used as an oscillator output. Using the 3-pin RC oscillator configuration affects port B in these ways:

- Bit PB1 can be used as a read/write storage location without affecting the oscillator. Reset has no effect on bit PB1.
- Bit DDRB1 in data direction register B can be used as a read/write storage location without affecting the oscillator. Reset clears DDRB1.
- The PB1/OSC3 pulldown device is disabled.

PB0 — Port B Data Bit 0

This read/write bit is software-programmable. Data direction of PB0 is under the control of the DDRB0 bit in data direction register B.

Bits 7–2 — Not used

Bits 7–2 always read as logic 0s.

7.4.2 Data Direction Register B

The contents of data direction register B (DDRB) determine whether each port B pin is an input or an output (see [Figure 7-6](#)). Writing a logic 1 to a DDRB bit enables the output buffer for the associated port B pin; a logic 0 disables the output buffer. A reset initializes all DDRB bits to logic 0, configuring all port B pins as inputs. Setting a DDRB bit to a logic 1 turns off the pulldown device for that pin.

Address: \$0005

	Bit 7	6	5	4	3	2	1	Bit 0
Read:	0	0	0	0	0	0	DDRB1	DDRB0
Write:	[Unimplemented]							
Reset:	0	0	0	0	0	0	0	0

[Unimplemented] = Unimplemented

Figure 7-6. Data Direction Register B (DDRB)

DDRB1 and DDRB0 — Data Direction Bits 1 and 0

These read/write bits control port B data direction.

1 = Corresponding port B pin configured as output

0 = Corresponding port B pin configured as input

Bit 7–2 — Not used

Bits 7–2 always read as logic 0s. Writes to these bits have no effect.

NOTE: *Avoid glitches on port B pins by writing to the port B data register before changing DDRB bits from logic 0 to logic 1.*

7.4.3 Pulldown Register B

Port B pins have mask-optional pulldown devices that sink approximately 100 μ A. Clearing the PDIB1 and PDIB0 bits in pulldown register B turns on the port B pulldown devices. Pulldown register B can turn on a port B pulldown device only when the port B pin is an input. See [Figure 7-7](#).

If the pulldown mask option is selected, reset initializes all port A and port B pins as inputs with pulldown devices turned on.

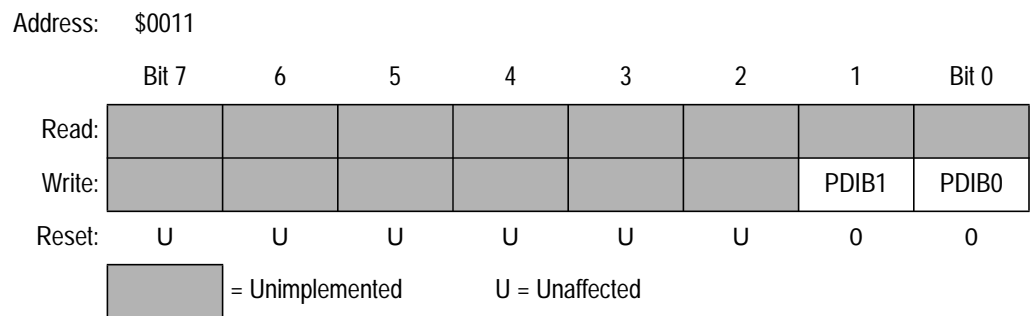


Figure 7-7. Pulldown Register B (PDRB)

PDIB1 and PDIB0 — Port B Pulldown Inhibit Bits 1 and 0

Writing logic 0s to these write-only bits turns on the port B pulldown devices. Reading pulldown register B returns undefined data. Reset clears PDIB1 and PDIB0.

- 1 = Corresponding port B pin pulldown device turned off
- 0 = Corresponding port B pin pulldown device turned on

Bits 7–2 — Not used

Bits 7–2 always read as logic 0s.

NOTE: *To avoid excessive current draw, connect all unused input pins to V_{DD} or V_{SS} . Or change I/O pins to outputs by writing to DDRB in user initialization code. Avoid a floating port B input by clearing its pulldown register bit before changing its DDRB bit from logic 1 to logic 0.*

Because pulldown register B is a write-only register, using the read-modify-write instruction may result in inadvertently turning bits on or off.

7.4.4 Port B Logic

Figure 7-8 shows the port B I/O logic.

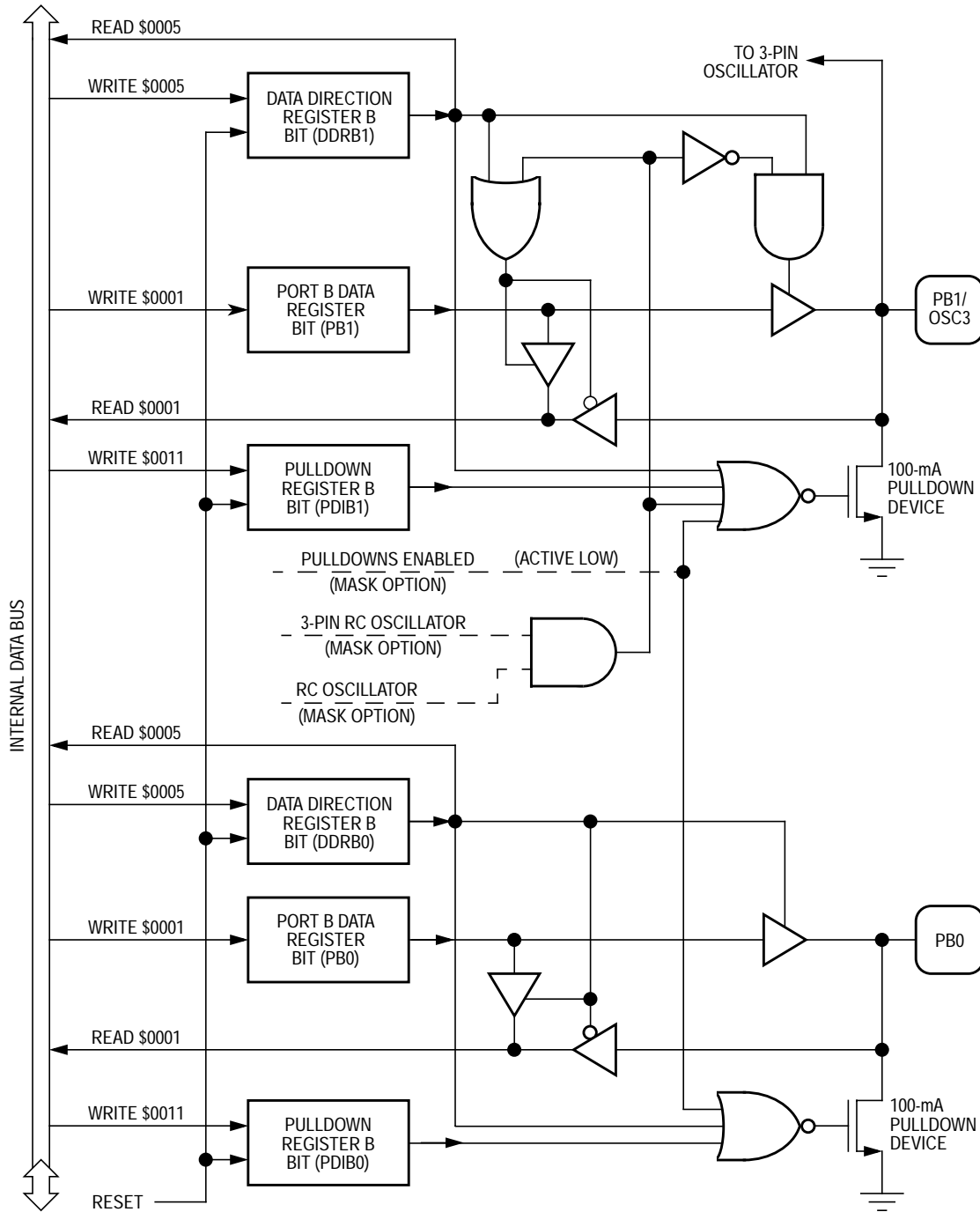


Figure 7-8. Port B I/O Circuit

When a port B pin is programmed as an output, reading the port bit reads the value of the data latch and not the voltage on the pin itself. When a port B pin is programmed as an input, reading the port bit reads the voltage level on the pin. The data latch can always be written, regardless of the state of its DDR bit. [Table 7-2](#) and [Table 7-3](#) summarize the operation of the port B pins.

Table 7-2. PB0 Pin Functions

Pulldown Mask Option	Control Bits		PB0 Pin Mode	Accesses to PDRB		Accesses to DDRB	Accesses to PORTB	
	PDIB0	DDRB0		Read	Write	Read/Write	Read	Write
No	X	0	Input, hi-z	U	PDIB0	DDRB0	Pin	PB0
No	X	1	Output	U	PDIB0	DDRB0	PB0	PB0
Yes	0	0	Input, pulldown on	U	PDIB0	DDRB0	Pin	PB0
Yes	0	1	Output	U	PDIB0	DDRB0	PB0	PB0
Yes	1	0	Input, hi-z	U	PDIB0	DDRB0	Pin	PB0
Yes	1	1	Output	U	PDIB0	DDRB0	PB0	PB0

X = Don't care
U = Undefined

Table 7-3. PB1/OSC3 Pin Functions

Mask Options		Control Bits		PB1/OSC3 Pin Mode	Accesses to PDRB		Accesses to DDRB	Accesses to PORTB	
3-Pin Osc.	Pulldowns	PDIB1	DDRB1		Read	Write	Read/Write	Read	Write
No	No	X	0	Input, hi-z	U	PDIB1	DDRB1	Pin	PB1
No	No	X	1	Output	U	PDIB1	DDRB1	PB1	PB1
No	Yes	0	0	Input, pulldown on	U	PDIB1	DDRB1	Pin	PB1
No	Yes	0	1	Output	U	PDIB1	DDRB1	PB1	PB1
No	Yes	1	0	Input, hi-z	U	PDIB1	DDRB1	Pin	PB1
No	Yes	1	1	Output	U	PDIB1	DDRB1	PB1	PB1

X = Don't care
U = Undefined

Section 8. Multifunction Timer

8.1 Contents

8.2	Introduction	77
8.3	Timer Status and Control Register	78
8.4	Timer Counter Register	81
8.5	COP Watchdog.	82

8.2 Introduction

This section describes the operation of the multifunction timer and the computer operating properly (COP) watchdog. **Figure 8-1** shows the organization of the timer subsystem.

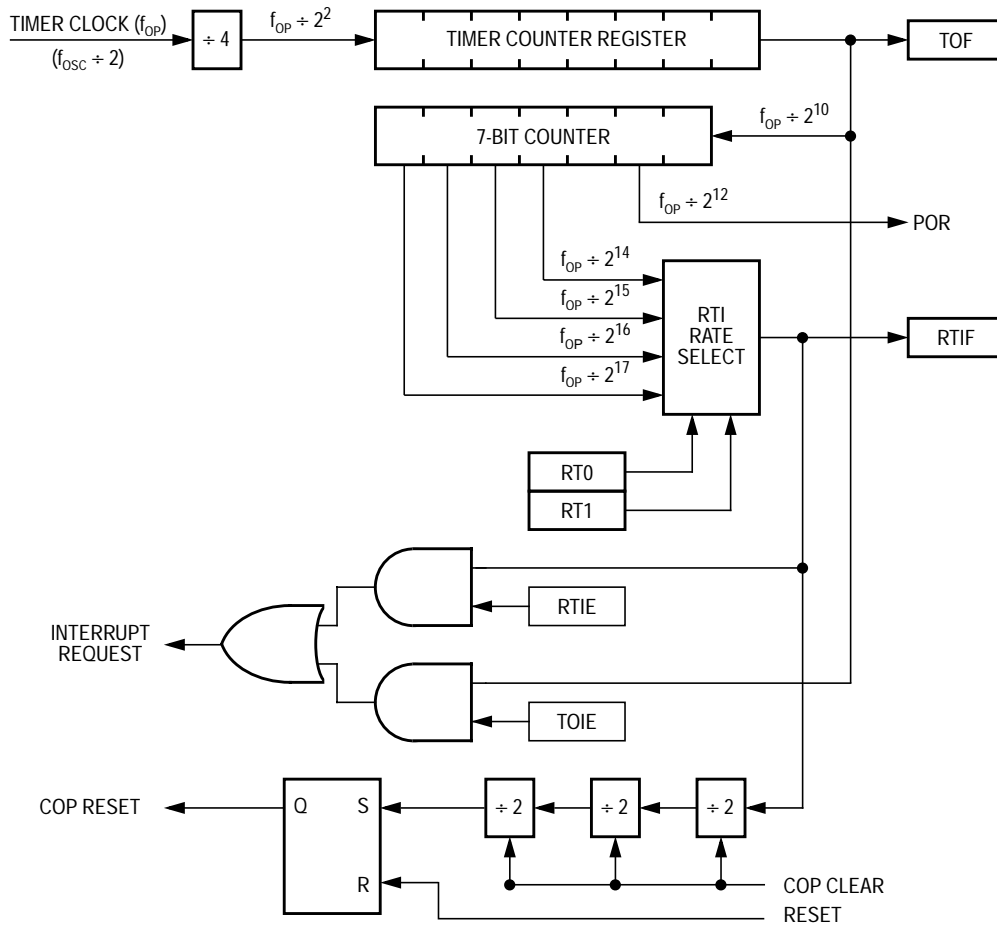


Figure 8-1. Multifunction Timer Block Diagram

8.3 Timer Status and Control Register

The timer status and control register (TSCR), shown in [Figure 8-2](#), contains these bits:

- Timer interrupt enable bits
- Timer interrupt flags
- Timer interrupt flag reset bits
- Timer interrupt rate select bits

Address: \$0008

	Bit 7	6	5	4	3	2	1	Bit 0
Read:	TOF	RTIF	TOIE	RTIE	0	0	RT1	RT0
Write:					TOFR	RTIFR		
Reset:	0	0	0	0	0	0	1	1


 = Unimplemented

Figure 8-2. Timer Status and Control Register (TSCR)

TOF — Timer Overflow Flag

This read-only flag becomes set when the first eight stages of the counter roll over from \$FF to \$00. TOF generates a timer overflow interrupt request if TOIE is also set. Clear TOF by writing a logic 1 to the TOFR bit. Writing to TOF has no effect. Reset clears TOF.

RTIF — Real-Time Interrupt Flag

This read-only flag becomes set when the selected real-time interrupt (RTI) output becomes active. RTIF generates a real-time interrupt request if RTIE is also set. Clear RTIF by writing a logic 1 to the RTIFR bit. Writing to RTIF has no effect. Reset clears RTIF.

TOIE — Timer Overflow Interrupt Enable Bit

This read/write bit enables timer overflow interrupts. Reset clears TOIE.

- 1 = Timer overflow interrupts enabled
- 0 = Timer overflow interrupts disabled

RTIE — Real-Time Interrupt Enable Bit

This read/write bit enables real-time interrupts. Reset clears RTIE.

- 1 = Real-time interrupts enabled
- 0 = Real-time interrupts disabled

TOFR — Timer Overflow Flag Reset Bit

Writing a logic 1 to this write-only bit clears the TOF bit. TOFR always reads as a logic 0. Reset does not affect TOFR.

RTIFR — Real-Time Interrupt Flag Reset Bit

Writing a logic 1 to this write-only bit clears the RTIF bit. RTIFR always reads as a logic 0. Reset does not affect RTIFR.

RT1 and RT0 — Real-Time Interrupt Select Bits 1 and 0

These read/write bits select 1 of four real-time interrupt rates, as shown in [Table 8-1](#). Because the selected RTI output drives the COP watchdog, changing the real-time interrupt rate also changes the counting rate of the COP watchdog. Reset sets RT1 and RT0, selecting the longest COP timeout period and real-time interrupt period.

Table 8-1. Real-Time Interrupt Rate Selection

RT1:RT0	Number of Cycles to RTI	RTI Period ⁽¹⁾	Number of Cycles to COP Reset	COP Timeout Period ⁽¹⁾
0 0	$2^{14} = 16,384$	8.2 ms	$2^{17} = 131,072$	65.5 ms
0 1	$2^{15} = 32,768$	16.4 ms	$2^{18} = 262,144$	131.1 ms
1 0	$2^{16} = 65,536$	32.8 ms	$2^{19} = 524,288$	262.1 ms
1 1	$2^{17} = 131,072$	65.5 ms	$2^{20} = 1,048,576$	524.3 ms

1. At 2-MHz bus, 4-MHz XTAL, 0.5 μ s per cycle

NOTE: *Be careful when altering RT0 or RT1 when a timeout is imminent or uncertain. If the selected RTx is modified during a cycle when the counter is switching, an RTIF can be missed or an additional RTIF can be generated. To avoid this problem, clear the COP just before changing RT1 and RT0.*

The COP timer is the RTI timer divided by eight. However, clearing the COP clears only the last three dividers. It does not clear the RTI section of the divider chain. Therefore, the COP timeout period is in the range of seven to eight times the RTI period.

8.4 Timer Counter Register

A 15-stage ripple counter is the core of the timer. The value of the first eight stages is readable at any time from the read-only timer counter register shown in [Figure 8-3](#).

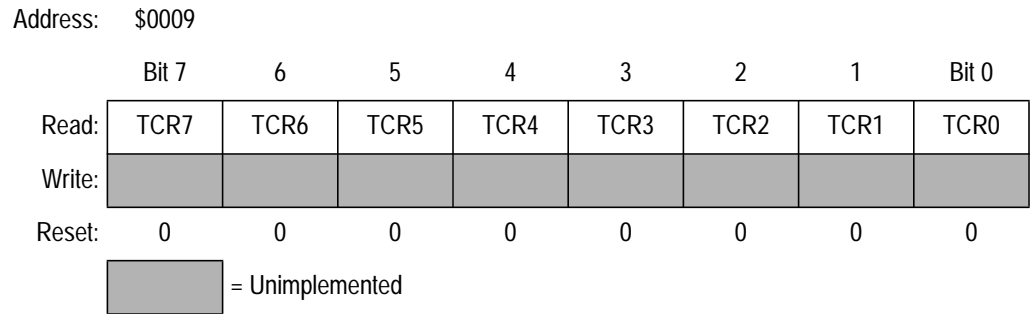


Figure 8-3. Timer Counter Register (TCNTR)

Power-on clears the entire counter chain and begins clocking the counter. After 4064 cycles, the power-on reset circuit is released, clearing the counter again and allowing the MCU to come out of reset.

A timer overflow function at the eighth counter stage allows a timer interrupt every 1024 internal clock cycles.

Each count of the timer counter register takes eight oscillator cycles or four cycles of the internal clock.

8.5 COP Watchdog

Three counter stages at the end of the timer make up the mask optional computer operating properly (COP) watchdog (see [Figure 8-1](#)). The COP watchdog is a software error detection system that automatically times out and resets the MCU if not cleared periodically by a program sequence. Writing a logic 0 to bit 0 of the COP register, shown in [Figure 8-4](#), clears the COP watchdog and prevents a COP reset.

Address: \$03F0

	Bit 7	6	5	4	3	2	1	Bit 0
Read:	0	0	0	0	0	0	1	0
Write:								COPC
Reset:	U	U	U	U	U	U	U	0

= Unimplemented U = Unaffected

Figure 8-4. COP Register (COPR)

COPC — COP Clear Bit

This write-only bit resets the COP watchdog. Reading address \$03F0 returns the ROM data at that address.

The COP watchdog is active in the run, wait, and halt modes of operation. The STOP instruction disables the COP watchdog by clearing the counter and turning off its clock source. In applications that depend on the COP watchdog, the STOP instruction can be disabled (converted to halt) by a mask option.

In applications that have wait cycles longer than the COP timeout period, the COP watchdog can be disabled by a mask option.

NOTE: *If the voltage on the \overline{IRQ}/V_{PP} pin exceeds a nominal $1.5 \times V_{DD}$, the COP watchdog turns off and remains off until the \overline{IRQ}/V_{PP} voltage falls below $2 \times V_{DD}$.*

Table 8-2 summarizes recommended conditions for enabling and disabling the COP watchdog.

Table 8-2. COP Watchdog Recommendations

STOP Instruction (Mask Option)	Wait/Halt Time	Recommended COP Watchdog Condition
Disabled	Less than COP timeout period	Enabled ⁽¹⁾
Disabled	Greater than COP timeout period	Disabled

1. Reset the COP watchdog immediately before executing the WAIT/HALT instruction.

Section 9. Personality EPROM (MC68HC05K1 Only)

9.1 Contents

9.2	Introduction	85
9.3	PEPROM Registers	87
9.3.1	PEPROM Bit Select Register (PEBSR)	87
9.3.2	PEPROM Status and Control Register (PESCR)	89
9.4	PEPROM Programming	90
9.5	PEPROM Reading	92

9.2 Introduction

This section describes how to program the 64-bit personality erasable, programmable read-only memory (PEPROM) on the MC68HC05K1 only. **Figure 9-1** shows the structure of the PEPROM subsystem.

NOTE: *The PEPROM cannot be erased in parts offered without the windowed package.*

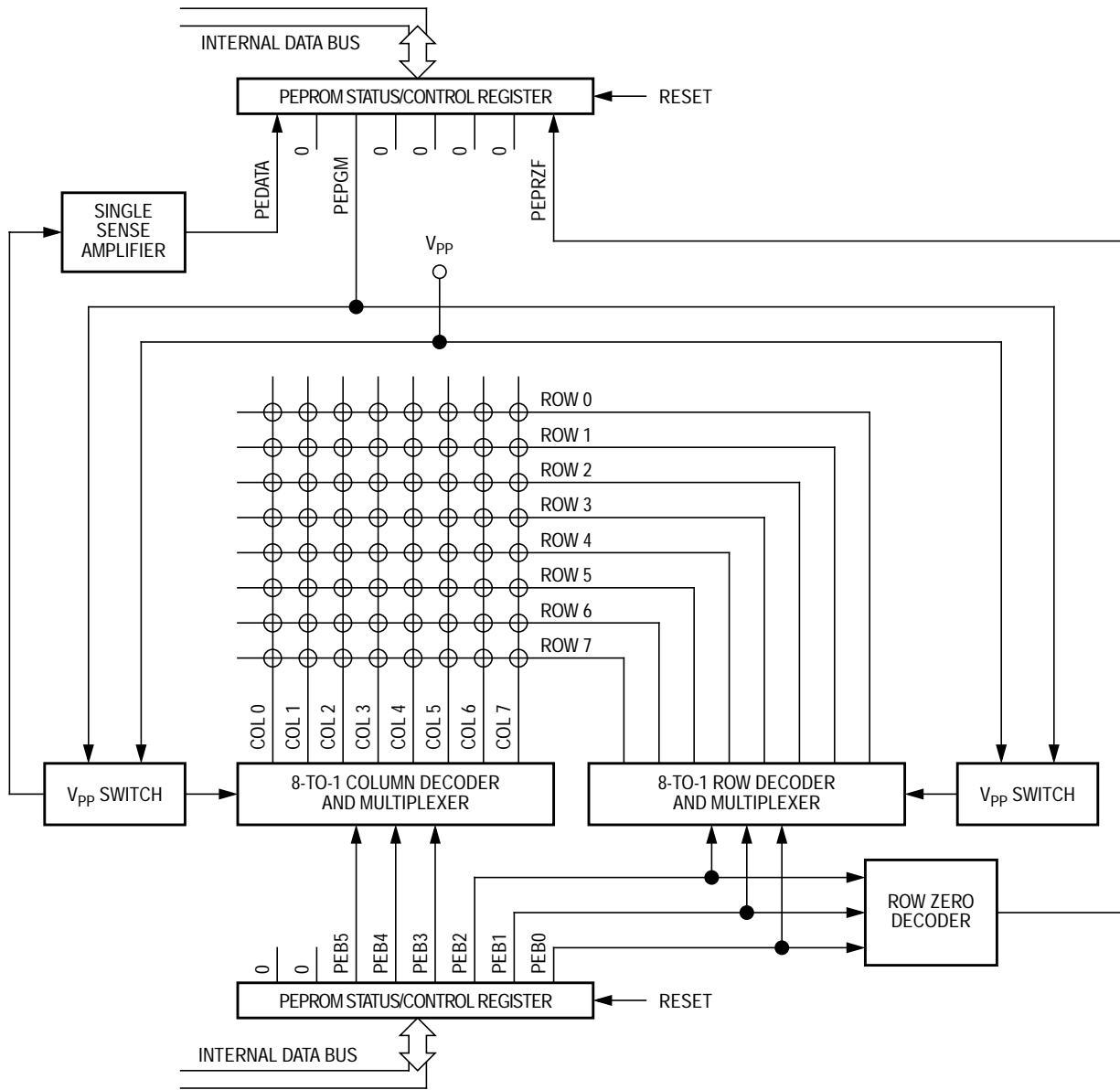


Figure 9-1. PEPROM Block Diagram

9.3 PEPROM Registers

Two input/output (I/O) registers control programming and reading of the PEPROM:

- PEPROM bit select register (PEBSR)
- PEPROM status and control register (PESCR)

9.3.1 PEPROM Bit Select Register

The PEPROM bit select register (PEBSR), shown in **Figure 9-2**, selects one of 64 bits in the PEPROM array. Reset clears all the bits in the PEPROM bit select register.

Address: \$000E

	Bit 7	6	5	4	3	2	1	Bit 0
Read:	PEB7	PEB6	PEB5	PEB4	PEB3	PEB2	PEB1	PEB0
Write:								
Reset:	0	0	0	0	0	0	0	0

Figure 9-2. PEPROM Bit Select Register (PEBSR)

PEB7 and PEB6 — Not Connected to the PEPROM Array

These read/write bits are available as storage locations. Reset clears PEB7 and PEB6.

PEB5–PEB0 — PEPROM Bit Select Bits

These read/write bits select one of 64 bits in the PEPROM as shown in **Table 9-1**. Bits PEB2–PEB0 select the PEPROM row, and bits PEB5–PEB3 select the PEPROM column. Reset clears PEB5–PEB0, selecting the PEPROM bit in row zero, column zero.

Table 9-1. PEPROM Bit Selection

PEBSR	PEPROM Bit Selected	
\$00	Row 0	Column 0
\$01	Row 1	Column 0
\$02	Row 2	Column 0
↓	↓	↓
\$07	Row 7	Column 0
\$08	Row 0	Column 1
\$09	Row 1	Column 1
\$0A	Row 2	Column 1
↓	↓	↓
\$0F	Row 7	Column 1
\$10	Row 0	Column 2
\$11	Row 1	Column 2
\$12	Row 2	Column 2
↓	↓	↓
\$37	Row 7	Column 6
\$38	Row 0	Column 7
\$39	Row 1	Column 7
\$3A	Row 2	Column 7
\$3B	Row 3	Column 7
\$3C	Row 4	Column 7
\$3D	Row 5	Column 7
\$3E	Row 6	Column 7
\$3F	Row 7	Column 7

9.3.2 PEPROM Status and Control Register

The PEPROM status and control register (PESCR), shown in **Figure 9-3**, controls the PEPROM programming voltage. This register also transfers the PEPROM bits to the internal data bus and contains a row zero flag.

Address: \$000F

	Bit 7	6	5	4	3	2	1	Bit 0
Read:	PEDATA	0	PEPGM	0	0	0	0	PEPRZF
Write:								
Reset:	U	0	0	0	0	0	0	1


 = Unimplemented U = Unaffected

Figure 9-3. PEPROM Status and Control Register (PESCR)

PEDATA — PEPROM Data Bit

This read-only bit is the state of the PEPROM sense amplifier and shows the state of the currently selected bit. Reset does not affect the PEDATA bit.

- 1 = PEPROM data logic 1
- 0 = PEPROM data logic 0

PEPGM — PEPROM Program Control Bit

This read/write bit controls the switches that apply the programming voltage, V_{PP} , to the selected PEPROM cell. Reset clears PEPGM.

- 1 = Programming voltage applied
- 0 = Programming voltage not applied

PEPRZF — PEPROM Row Zero Flag

This read-only bit is set when the PEPROM bit select register selects the first row (row zero) of the PEPROM array. Selecting any other row clears PEPRZF. Monitoring PEPRZF can reduce the code needed to access one byte of PEPROM. Reset sets PEPRZF.

- 1 = Row zero selected
- 0 = Row zero not selected

9.4 PEPROM Programming

Factory-provided software for programming the PEPROM is available through the Motorola Web site at:

<http://mcu.motsps.com>

The circuit shown in [Figure 9-4](#) can be used to program the PEPROM with the factory-provided programming software.

NOTE: *The personality EPROM cannot be erased in parts offered without the windowed package.*

To program the PEPROM, V_{DD} must be greater than 4.5 Vdc.

The PEPROM also can be programmed by user software with V_{PP} applied to the \overline{IRQ}/V_{PP} pin. This sequence shows how to program each PEPROM bit:

1. Select a PEPROM bit by writing to PEBSR.
2. Set the PEPGM bit in PESCR.
3. Wait 3 ms.
4. Clear the PEPGM bit.

NOTE: *While the PEPGM bit is set and V_{PP} is applied to the \overline{IRQ}/V_{PP} pin, do not access bits that are to be left unprogrammed (erased).*

In the 3-pin RC oscillator configuration, the PEPROM cannot be programmed by user software. If the voltage on \overline{IRQ}/V_{PP} is raised above V_{DD} , the oscillator will revert to a 2-pin oscillator configuration and device operation will be disrupted. The 2-pin RC and crystal configurations are not affected.

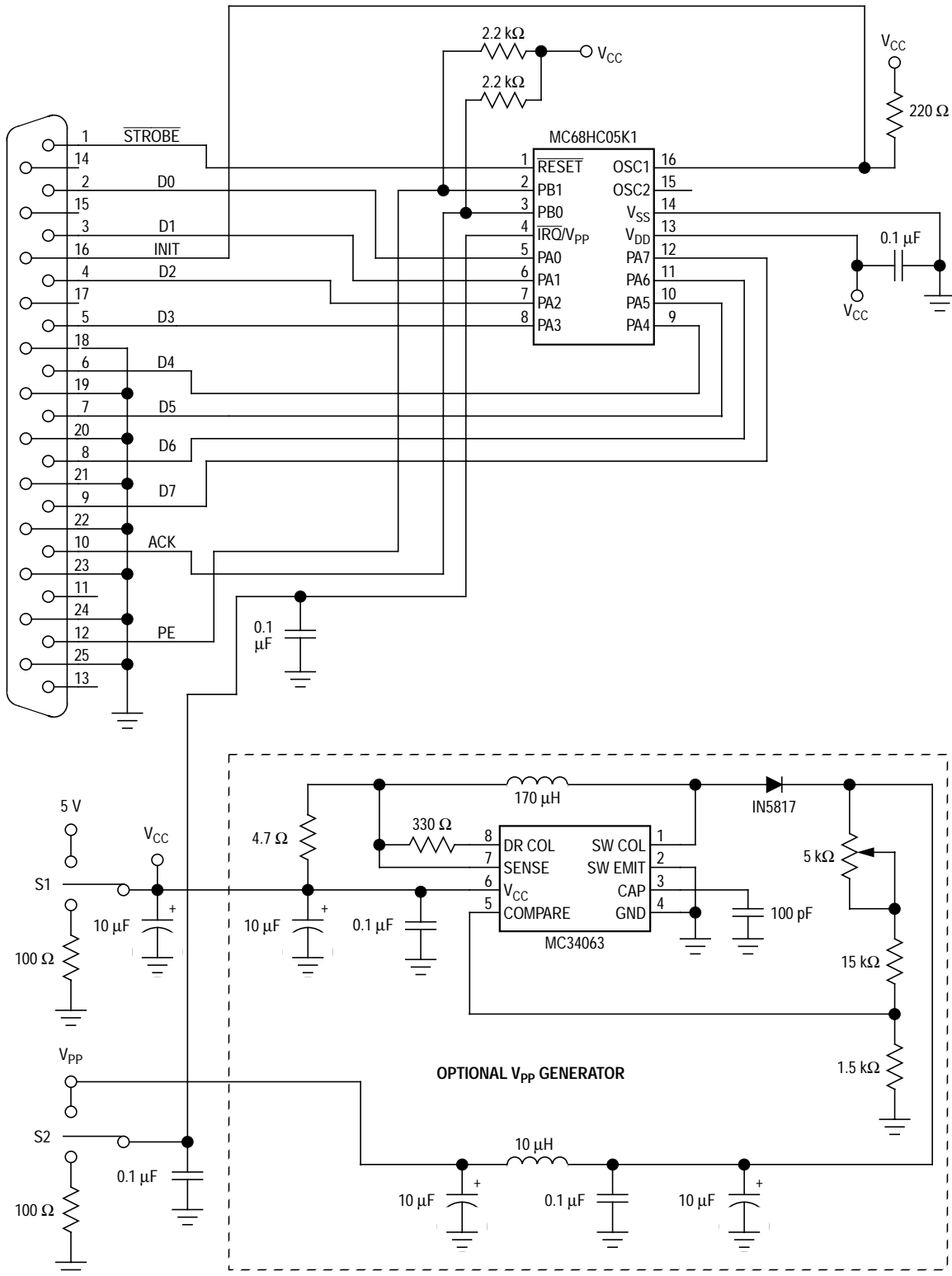


Figure 9-4. Programming Circuit

9.5 PEPROM Reading

This sequence shows how to read the PEPROM:

1. Select a bit by writing to PEBSR.
2. Read the PEDATA bit in PESCR.
3. Store the PEDATA bit in RAM or in a register.
4. Select another bit by changing PEBSR.
5. Continue reading and storing the PEDATA bits until the required personality EPROM data is stored.

Reading the PEPROM is easiest when each PEPROM column contains one byte. Selecting a row-0 bit selects the first bit, and incrementing the PEPROM bit select register (PEBSR) selects the next row-1 bit from the same column. Incrementing PEBSR seven more times selects the remaining bits of the column and selects the row-0 bit of the next column, setting the row-0 flag, PEPRZF.

A PEPROM byte that has been read can be transferred to the personality EPROM bit select register (PEBSR) so that subsequent reads of the PEBSR quickly yield that PEPROM byte.

Section 10. Instruction Set

10.1 Contents

10.2	Introduction	94
10.3	Addressing Modes	94
10.3.1	Inherent	95
10.3.2	Immediate	95
10.3.3	Direct	95
10.3.4	Extended	95
10.3.5	Indexed, No Offset	96
10.3.6	Indexed, 8-Bit Offset	96
10.3.7	Indexed, 16-Bit Offset	96
10.3.8	Relative	97
10.4	Instruction Types	97
10.4.1	Register/Memory Instructions	98
10.4.2	Read-Modify-Write Instructions	99
10.4.3	Jump/Branch Instructions	100
10.4.4	Bit Manipulation Instructions	102
10.4.5	Control Instructions	103
10.5	Instruction Set Summary	104
10.6	Opcode Map	109

10.2 Introduction

The microcontroller unit (MCU) instruction set has 62 instructions and uses eight addressing modes. The instructions include all those of the M146805 complementary metal oxide semiconductor (CMOS) Family plus one more: the unsigned multiply (MUL) instruction. The MUL instruction allows unsigned multiplication of the contents of the accumulator (A) and the index register (X). The high-order product is stored in the index register, and the low-order product is stored in the accumulator.

10.3 Addressing Modes

The central processor unit (CPU) uses eight addressing modes for flexibility in accessing data. The addressing modes provide eight different ways for the CPU to find the data required to execute an instruction.

The eight addressing modes are:

- Inherent
- Immediate
- Direct
- Extended
- Indexed, no offset
- Indexed, 8-bit offset
- Indexed, 16-bit offset
- Relative

10.3.1 Inherent

Inherent instructions are those that have no operand, such as return from interrupt (RTI) and stop (STOP). Some of the inherent instructions act on data in the CPU registers, such as set carry flag (SEC) and increment accumulator (INCA). Inherent instructions require no operand address and are one byte long.

10.3.2 Immediate

Immediate instructions are those that contain a value to be used in an operation with the value in the accumulator or index register. Immediate instructions require no operand address and are two bytes long. The opcode is the first byte, and the immediate data value is the second byte.

10.3.3 Direct

Direct instructions can access any of the first 256 memory locations with two bytes. The first byte is the opcode, and the second is the low byte of the operand address. In direct addressing, the CPU automatically uses \$00 as the high byte of the operand address.

10.3.4 Extended

Extended instructions use three bytes and can access any address in memory. The first byte is the opcode; the second and third bytes are the high and low bytes of the operand address.

When using the Motorola assembler, the programmer does not need to specify whether an instruction is direct or extended. The assembler automatically selects the shortest form of the instruction.

10.3.5 Indexed, No Offset

Indexed instructions with no offset are 1-byte instructions that can access data with variable addresses within the first 256 memory locations. The index register contains the low byte of the effective address of the operand. The CPU automatically uses \$00 as the high byte, so these instructions can address locations \$0000–\$00FF.

Indexed, no offset instructions are often used to move a pointer through a table or to hold the address of a frequently used random-access memory (RAM) or input/output (I/O) location.

10.3.6 Indexed, 8-Bit Offset

Indexed, 8-bit offset instructions are 2-byte instructions that can access data with variable addresses within the first 511 memory locations. The CPU adds the unsigned byte in the index register to the unsigned byte following the opcode. The sum is the effective address of the operand. These instructions can access locations \$0000–\$01FE.

Indexed 8-bit offset instructions are useful for selecting the kth element in an n-element table. The table can begin anywhere within the first 256 memory locations and could extend as far as location 510 (\$01FE). The k value is typically in the index register, and the address of the beginning of the table is in the byte following the opcode.

10.3.7 Indexed, 16-Bit Offset

Indexed, 16-bit offset instructions are 3-byte instructions that can access data with variable addresses at any location in memory. The CPU adds the unsigned byte in the index register to the two unsigned bytes following the opcode. The sum is the effective address of the operand. The first byte after the opcode is the high byte of the 16-bit offset; the second byte is the low byte of the offset.

Indexed, 16-bit offset instructions are useful for selecting the kth element in an n-element table anywhere in memory.

As with direct and extended addressing, the Motorola assembler determines the shortest form of indexed addressing.

10.3.8 Relative

Relative addressing is only for branch instructions. If the branch condition is true, the CPU finds the effective branch destination by adding the signed byte following the opcode to the contents of the program counter. If the branch condition is not true, the CPU goes to the next instruction. The offset is a signed, two's complement byte that gives a branching range of -128 to $+127$ bytes from the address of the next location after the branch instruction.

When using the Motorola assembler, the programmer does not need to calculate the offset, because the assembler determines the proper offset and verifies that it is within the span of the branch.

10.4 Instruction Types

The MCU instructions fall into five categories:

- Register/memory instructions
- Read-modify-write instructions
- Jump/branch instructions
- Bit manipulation instructions
- Control instructions

10.4.1 Register/Memory Instructions

These instructions operate on CPU registers and memory locations. Most of them use two operands. One operand is in either the accumulator or the index register. The CPU finds the other operand in memory.

Table 10-1. Register/Memory Instructions

Instruction	Mnemonic
Add memory byte and carry bit to accumulator	ADC
Add memory byte to accumulator	ADD
AND memory byte with accumulator	AND
Bit test accumulator	BIT
Compare accumulator	CMP
Compare index register with memory byte	CPX
Exclusive OR accumulator with memory byte	EOR
Load accumulator with memory byte	LDA
Load Index register with memory byte	LDX
Multiply	MUL
OR accumulator with memory byte	ORA
Subtract memory byte and carry bit from accumulator	SBC
Store accumulator in memory	STA
Store index register in memory	STX
Subtract memory byte from accumulator	SUB

10.4.2 Read-Modify-Write Instructions

These instructions read a memory location or a register, modify its contents, and write the modified value back to the memory location or to the register.

NOTE: Do not use read-modify-write operations on write-only registers.

Table 10-2. Read-Modify-Write Instructions

Instruction	Mnemonic
Arithmetic shift left (same as LSL)	ASL
Arithmetic shift right	ASR
Bit clear	BCLR ⁽¹⁾
Bit set	BSET ⁽¹⁾
Clear register	CLR
Complement (one's complement)	COM
Decrement	DEC
Increment	INC
Logical shift left (same as ASL)	LSL
Logical shift right	LSR
Negate (two's complement)	NEG
Rotate left through carry bit	ROL
Rotate right through carry bit	ROR
Test for negative or zero	TST ⁽²⁾

1. Unlike other read-modify-write instructions, BCLR and BSET use only direct addressing.
2. TST is an exception to the read-modify-write sequence because it does not write a replacement value.

10.4.3 Jump/Branch Instructions

Jump instructions allow the CPU to interrupt the normal sequence of the program counter. The unconditional jump instruction (JMP) and the jump-to-subroutine instruction (JSR) have no register operand. Branch instructions allow the CPU to interrupt the normal sequence of the program counter when a test condition is met. If the test condition is not met, the branch is not performed.

The BRCLR and BRSET instructions cause a branch based on the state of any readable bit in the first 256 memory locations. These 3-byte instructions use a combination of direct addressing and relative addressing. The direct address of the byte to be tested is in the byte following the opcode. The third byte is the signed offset byte. The CPU finds the effective branch destination by adding the third byte to the program counter if the specified bit tests true. The bit to be tested and its condition (set or clear) is part of the opcode. The span of branching is from -128 to $+127$ from the address of the next location after the branch instruction. The CPU also transfers the tested bit to the carry/borrow bit of the condition code register.

Table 10-3. Jump and Branch Instructions

Instruction	Mnemonic
Branch if carry bit clear	BCC
Branch if carry bit set	BCS
Branch if equal	BEQ
Branch if half-carry bit clear	BHCC
Branch if half-carry bit set	BHCS
Branch if higher	BHI
Branch if higher or same	BHS
Branch if \overline{IRQ} pin high	BIH
Branch if \overline{IRQ} pin low	BIL
Branch if lower	BLO
Branch if lower or same	BLS
Branch if interrupt mask clear	BMC
Branch if minus	BMI
Branch if interrupt mask set	BMS
Branch if not equal	BNE
Branch if plus	BPL
Branch always	BRA
Branch if bit clear	BRCLR
Branch never	BRN
Branch if bit set	BRSET
Branch to subroutine	BSR
Unconditional jump	JMP
Jump to subroutine	JSR

10.4.4 Bit Manipulation Instructions

The CPU can set or clear any writable bit in the first 256 bytes of memory, which includes I/O registers and on-chip RAM locations. The CPU can also test and branch based on the state of any bit in any of the first 256 memory locations.

Table 10-4. Bit Manipulation Instructions

Instruction	Mnemonic
Bit clear	BCLR
Branch if bit clear	BRCLR
Branch if bit set	BRSET
Bit set	BSET

10.4.5 Control Instructions

These instructions act on CPU registers and control CPU operation during program execution.

Table 10-5. Control Instructions

Instruction	Mnemonic
Clear carry bit	CLC
Clear interrupt mask	CLI
No operation	NOP
Reset stack pointer	RSP
Return from interrupt	RTI
Return from subroutine	RTS
Set carry bit	SEC
Set interrupt mask	SEI
Stop oscillator and enable \overline{IRQ} pin	STOP
Software interrupt	SWI
Transfer accumulator to index register	TAX
Transfer index register to accumulator	TXA
Stop CPU clock and enable interrupts	WAIT

10.5 Instruction Set Summary

Table 10-6. Instruction Set Summary (Sheet 1 of 6)

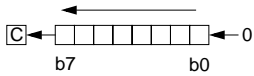
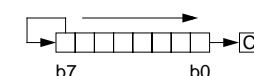
Source Form	Operation	Description	Effect on CCR					Address Mode	Opcode	Operand	Cycles
			H	I	N	Z	C				
ADC #opr ADC opr ADC opr ADC opr,X ADC opr,X ADC ,X	Add with Carry	$A \leftarrow (A) + (M) + (C)$	↕	—	↕	↕	↕	IMM DIR EXT IX2 IX1 IX	A9 B9 C9 D9 E9 F9	ii dd hh ll ee ff ff	2 3 4 5 4 3
ADD #opr ADD opr ADD opr ADD opr,X ADD opr,X ADD ,X	Add without Carry	$A \leftarrow (A) + (M)$	↕	—	↕	↕	↕	IMM DIR EXT IX2 IX1 IX	AB BB CB DB EB FB	ii dd hh ll ee ff ff	2 3 4 5 4 3
AND #opr AND opr AND opr AND opr,X AND opr,X AND ,X	Logical AND	$A \leftarrow (A) \wedge (M)$	—	—	↕	↕	—	IMM DIR EXT IX2 IX1 IX	A4 B4 C4 D4 E4 F4	ii dd hh ll ee ff ff	2 3 4 5 4 3
ASL opr ASLA ASLX ASL opr,X ASL ,X	Arithmetic Shift Left (Same as LSL)		—	—	↕	↕	↕	DIR INH INH IX1 IX	38 48 58 68 78	dd ff	5 3 3 6 5
ASR opr ASRA ASRX ASR opr,X ASR ,X	Arithmetic Shift Right		—	—	↕	↕	↕	DIR INH INH IX1 IX	37 47 57 67 77	dd ff	5 3 3 6 5
BCC rel	Branch if Carry Bit Clear	$PC \leftarrow (PC) + 2 + rel ? C = 0$	—	—	—	—	—	REL	24	rr	3
BCLR n opr	Clear Bit n	$M_n \leftarrow 0$	—	—	—	—	—	DIR (b0) DIR (b1) DIR (b2) DIR (b3) DIR (b4) DIR (b5) DIR (b6) DIR (b7)	11 13 15 17 19 1B 1D 1F	dd dd dd dd dd dd dd dd	5 5 5 5 5 5 5 5
BCS rel	Branch if Carry Bit Set (Same as BLO)	$PC \leftarrow (PC) + 2 + rel ? C = 1$	—	—	—	—	—	REL	25	rr	3
BEQ rel	Branch if Equal	$PC \leftarrow (PC) + 2 + rel ? Z = 1$	—	—	—	—	—	REL	27	rr	3
BHCC rel	Branch if Half-Carry Bit Clear	$PC \leftarrow (PC) + 2 + rel ? H = 0$	—	—	—	—	—	REL	28	rr	3
BHCS rel	Branch if Half-Carry Bit Set	$PC \leftarrow (PC) + 2 + rel ? H = 1$	—	—	—	—	—	REL	29	rr	3
BHI rel	Branch if Higher	$PC \leftarrow (PC) + 2 + rel ? C \vee Z = 0$	—	—	—	—	—	REL	22	rr	3
BHS rel	Branch if Higher or Same	$PC \leftarrow (PC) + 2 + rel ? C = 0$	—	—	—	—	—	REL	24	rr	3

Table 10-6. Instruction Set Summary (Sheet 2 of 6)

Source Form	Operation	Description	Effect on CCR					Address Mode	Opcode	Operand	Cycles
			H	I	N	Z	C				
BIH <i>rel</i>	Branch if IRQ Pin High	$PC \leftarrow (PC) + 2 + rel ? IRQ = 1$	—	—	—	—	—	REL	2F	rr	3
BIL <i>rel</i>	Branch if IRQ Pin Low	$PC \leftarrow (PC) + 2 + rel ? IRQ = 0$	—	—	—	—	—	REL	2E	rr	3
BIT # <i>opr</i> BIT <i>opr</i> BIT <i>opr</i> BIT <i>opr</i> ,X BIT <i>opr</i> ,X BIT ,X	Bit Test Accumulator with Memory Byte	$(A) \wedge (M)$	—	—	↑	↓	—	IMM DIR EXT IX2 IX1 IX	A5 B5 C5 D5 E5 F5	ii dd hh ll ee ff ff	2 3 4 5 4 3
BLO <i>rel</i>	Branch if Lower (Same as BCS)	$PC \leftarrow (PC) + 2 + rel ? C = 1$	—	—	—	—	—	REL	25	rr	3
BLS <i>rel</i>	Branch if Lower or Same	$PC \leftarrow (PC) + 2 + rel ? C \vee Z = 1$	—	—	—	—	—	REL	23	rr	3
BMC <i>rel</i>	Branch if Interrupt Mask Clear	$PC \leftarrow (PC) + 2 + rel ? I = 0$	—	—	—	—	—	REL	2C	rr	3
BMI <i>rel</i>	Branch if Minus	$PC \leftarrow (PC) + 2 + rel ? N = 1$	—	—	—	—	—	REL	2B	rr	3
BMS <i>rel</i>	Branch if Interrupt Mask Set	$PC \leftarrow (PC) + 2 + rel ? I = 1$	—	—	—	—	—	REL	2D	rr	3
BNE <i>rel</i>	Branch if Not Equal	$PC \leftarrow (PC) + 2 + rel ? Z = 0$	—	—	—	—	—	REL	26	rr	3
BPL <i>rel</i>	Branch if Plus	$PC \leftarrow (PC) + 2 + rel ? N = 0$	—	—	—	—	—	REL	2A	rr	3
BRA <i>rel</i>	Branch Always	$PC \leftarrow (PC) + 2 + rel ? 1 = 1$	—	—	—	—	—	REL	20	rr	3
BRCLR <i>n opr rel</i>	Branch if Bit n Clear	$PC \leftarrow (PC) + 2 + rel ? Mn = 0$	—	—	—	—	↑	DIR (b0) DIR (b1) DIR (b2) DIR (b3) DIR (b4) DIR (b5) DIR (b6) DIR (b7)	01 03 05 07 09 0B 0D 0F	dd rr dd rr dd rr dd rr dd rr dd rr dd rr dd rr	5 5 5 5 5 5 5 5
BRN <i>rel</i>	Branch Never	$PC \leftarrow (PC) + 2 + rel ? 1 = 0$	—	—	—	—	—	REL	21	rr	3
BRSET <i>n opr rel</i>	Branch if Bit n Set	$PC \leftarrow (PC) + 2 + rel ? Mn = 1$	—	—	—	—	↓	DIR (b0) DIR (b1) DIR (b2) DIR (b3) DIR (b4) DIR (b5) DIR (b6) DIR (b7)	00 02 04 06 08 0A 0C 0E	dd rr dd rr dd rr dd rr dd rr dd rr dd rr dd rr	5 5 5 5 5 5 5 5
BSET <i>n opr</i>	Set Bit n	$Mn \leftarrow 1$	—	—	—	—	—	DIR (b0) DIR (b1) DIR (b2) DIR (b3) DIR (b4) DIR (b5) DIR (b6) DIR (b7)	10 12 14 16 18 1A 1C 1E	dd dd dd dd dd dd dd dd	5 5 5 5 5 5 5 5
BSR <i>rel</i>	Branch to Subroutine	$PC \leftarrow (PC) + 2$; push (PCL) $SP \leftarrow (SP) - 1$; push (PCH) $SP \leftarrow (SP) - 1$ $PC \leftarrow (PC) + rel$	—	—	—	—	—	REL	AD	rr	6
CLC	Clear Carry Bit	$C \leftarrow 0$	—	—	—	—	0	INH	98		2
CLI	Clear Interrupt Mask	$I \leftarrow 0$	—	0	—	—	—	INH	9A		2

Table 10-6. Instruction Set Summary (Sheet 3 of 6)

Source Form	Operation	Description	Effect on CCR					Address Mode	Opcode	Operand	Cycles
			H	I	N	Z	C				
CLR <i>opr</i> CLRA CLR X CLR <i>opr</i> ,X CLR ,X	Clear Byte	M ← \$00 A ← \$00 X ← \$00 M ← \$00 M ← \$00	—	—	0	1	—	DIR INH INH IX1 IX	3F 4F 5F 6F 7F	dd ff	5 3 3 6 5
CMP # <i>opr</i> CMP <i>opr</i> CMP <i>opr</i> CMP <i>opr</i> ,X CMP <i>opr</i> ,X CMP ,X	Compare Accumulator with Memory Byte	(A) – (M)	—	—	↑	↑	↑	IMM DIR EXT IX2 IX1 IX	A1 B1 C1 D1 E1 F1	ii dd hh ll ee ff ff	2 3 4 5 4 3
COM <i>opr</i> COMA COM X COM <i>opr</i> ,X COM ,X	Complement Byte (One's Complement)	M ← (\bar{M}) = \$FF – (M) A ← (\bar{A}) = \$FF – (A) X ← (\bar{X}) = \$FF – (X) M ← (\bar{M}) = \$FF – (M) M ← (\bar{M}) = \$FF – (M)	—	—	↑	↑	1	DIR INH INH IX1 IX	33 43 53 63 73	dd ff	5 3 3 6 5
CPX # <i>opr</i> CPX <i>opr</i> CPX <i>opr</i> CPX <i>opr</i> ,X CPX <i>opr</i> ,X CPX ,X	Compare Index Register with Memory Byte	(X) – (M)	—	—	↑	↑	↑	IMM DIR EXT IX2 IX1 IX	A3 B3 C3 D3 E3 F3	ii dd hh ll ee ff ff	2 3 4 5 4 3
DEC <i>opr</i> DECA DEC X DEC <i>opr</i> ,X DEC ,X	Decrement Byte	M ← (M) – 1 A ← (A) – 1 X ← (X) – 1 M ← (M) – 1 M ← (M) – 1	—	—	↑	↑	—	DIR INH INH IX1 IX	3A 4A 5A 6A 7A	dd ff	5 3 3 6 5
EOR # <i>opr</i> EOR <i>opr</i> EOR <i>opr</i> EOR <i>opr</i> ,X EOR <i>opr</i> ,X EOR ,X	EXCLUSIVE OR Accumulator with Memory Byte	A ← (A) ⊕ (M)	—	—	↑	↑	—	IMM DIR EXT IX2 IX1 IX	A8 B8 C8 D8 E8 F8	ii dd hh ll ee ff ff	2 3 4 5 4 3
INC <i>opr</i> INCA INC X INC <i>opr</i> ,X INC ,X	Increment Byte	M ← (M) + 1 A ← (A) + 1 X ← (X) + 1 M ← (M) + 1 M ← (M) + 1	—	—	↑	↑	—	DIR INH INH IX1 IX	3C 4C 5C 6C 7C	dd ff	5 3 3 6 5
JMP <i>opr</i> JMP <i>opr</i> JMP <i>opr</i> ,X JMP <i>opr</i> ,X JMP ,X	Unconditional Jump	PC ← Jump Address	—	—	—	—	—	DIR EXT IX2 IX1 IX	BC CC DC EC FC	dd hh ll ee ff ff	2 3 4 3 2

Table 10-6. Instruction Set Summary (Sheet 4 of 6)

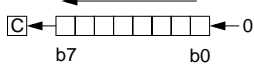
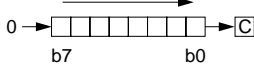
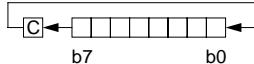
Source Form	Operation	Description	Effect on CCR					Address Mode	Opcode	Operand	Cycles
			H	I	N	Z	C				
JSR <i>opr</i> JSR <i>opr</i> JSR <i>opr,X</i> JSR <i>opr,X</i> JSR ,X	Jump to Subroutine	PC ← (PC) + n (n = 1, 2, or 3) Push (PCL); SP ← (SP) - 1 Push (PCH); SP ← (SP) - 1 PC ← Effective Address	—	—	—	—	—	DIR EXT IX2 IX1 IX	BD CD DD ED FD	dd hh ll ee ff ff	5 6 7 6 5
LDA # <i>opr</i> LDA <i>opr</i> LDA <i>opr</i> LDA <i>opr,X</i> LDA <i>opr,X</i> LDA ,X	Load Accumulator with Memory Byte	A ← (M)	—	—	↑	↓	—	IMM DIR EXT IX2 IX1 IX	A6 B6 C6 D6 E6 F6	ii dd hh ll ee ff ff	2 3 4 5 4 3
LDX # <i>opr</i> LDX <i>opr</i> LDX <i>opr</i> LDX <i>opr,X</i> LDX <i>opr,X</i> LDX ,X	Load Index Register with Memory Byte	X ← (M)	—	—	↑	↓	—	IMM DIR EXT IX2 IX1 IX	AE BE CE DE EE FE	ii dd hh ll ee ff ff	2 3 4 5 4 3
LSL <i>opr</i> LSLA LSLX LSL <i>opr,X</i> LSL ,X	Logical Shift Left (Same as ASL)		—	—	↑	↓	↓	DIR INH INH IX1 IX	38 48 58 68 78	dd ff	5 3 3 6 5
LSR <i>opr</i> LSRA LSRX LSR <i>opr,X</i> LSR ,X	Logical Shift Right		—	—	0	↑	↓	DIR INH INH IX1 IX	34 44 54 64 74	dd ff	5 3 3 6 5
MUL	Unsigned Multiply	X : A ← (X) × (A)	0	—	—	—	0	INH	42		1 1
NEG <i>opr</i> NEGA NEGX NEG <i>opr,X</i> NEG ,X	Negate Byte (Two's Complement)	M ← -(M) = \$00 - (M) A ← -(A) = \$00 - (A) X ← -(X) = \$00 - (X) M ← -(M) = \$00 - (M) M ← -(M) = \$00 - (M)	—	—	↑	↓	↓	DIR INH INH IX1 IX	30 40 50 60 70	dd ff	5 3 3 6 5
NOP	No Operation		—	—	—	—	—	INH	9D		2
ORA # <i>opr</i> ORA <i>opr</i> ORA <i>opr</i> ORA <i>opr,X</i> ORA <i>opr,X</i> ORA ,X	Logical OR Accumulator with Memory	A ← (A) ∨ (M)	—	—	↑	↓	—	IMM DIR EXT IX2 IX1 IX	AA BA CA DA EA FA	ii dd hh ll ee ff ff	2 3 4 5 4 3
ROL <i>opr</i> ROLA ROLX ROL <i>opr,X</i> ROL ,X	Rotate Byte Left through Carry Bit		—	—	↑	↓	↓	DIR INH INH IX1 IX	39 49 59 69 79	dd ff	5 3 3 6 5

Table 10-6. Instruction Set Summary (Sheet 5 of 6)

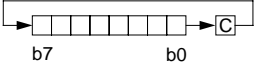
Source Form	Operation	Description	Effect on CCR					Address Mode	Opcode	Operand	Cycles
			H	I	N	Z	C				
ROR <i>opr</i> RORA RORX ROR <i>opr,X</i> ROR ,X	Rotate Byte Right through Carry Bit		—	—	↑	↑	↑	DIR INH INH IX1 IX	36 46 56 66 76	dd ff	5 3 3 6 5
RSP	Reset Stack Pointer	SP ← \$00FF	—	—	—	—	—	INH	9C		2
RTI	Return from Interrupt	SP ← (SP) + 1; Pull (CCR) SP ← (SP) + 1; Pull (A) SP ← (SP) + 1; Pull (X) SP ← (SP) + 1; Pull (PCH) SP ← (SP) + 1; Pull (PCL)	↑	↑	↑	↑	↑	INH	80		9
RTS	Return from Subroutine	SP ← (SP) + 1; Pull (PCH) SP ← (SP) + 1; Pull (PCL)	—	—	—	—	—	INH	81		6
SBC # <i>opr</i> SBC <i>opr</i> SBC <i>opr</i> SBC <i>opr,X</i> SBC <i>opr,X</i> SBC ,X	Subtract Memory Byte and Carry Bit from Accumulator	A ← (A) – (M) – (C)	—	—	↑	↑	↑	IMM DIR EXT IX2 IX1 IX	A2 B2 C2 D2 E2 F2	ii dd hh ll ee ff ff	2 3 4 5 4 3
SEC	Set Carry Bit	C ← 1	—	—	—	—	1	INH	99		2
SEI	Set Interrupt Mask	I ← 1	—	1	—	—	—	INH	9B		2
STA <i>opr</i> STA <i>opr</i> STA <i>opr,X</i> STA <i>opr,X</i> STA ,X	Store Accumulator in Memory	M ← (A)	—	—	↑	↑	—	DIR EXT IX2 IX1 IX	B7 C7 D7 E7 F7	dd hh ll ee ff ff	4 5 6 5 4
STOP	Stop Oscillator and Enable IRQ Pin		—	0	—	—	—	INH	8E		2
STX <i>opr</i> STX <i>opr</i> STX <i>opr,X</i> STX <i>opr,X</i> STX ,X	Store Index Register In Memory	M ← (X)	—	—	↑	↑	—	DIR EXT IX2 IX1 IX	BF CF DF EF FF	dd hh ll ee ff ff	4 5 6 5 4
SUB # <i>opr</i> SUB <i>opr</i> SUB <i>opr</i> SUB <i>opr,X</i> SUB <i>opr,X</i> SUB ,X	Subtract Memory Byte from Accumulator	A ← (A) – (M)	—	—	↑	↑	↑	IMM DIR EXT IX2 IX1 IX	A0 B0 C0 D0 E0 F0	ii dd hh ll ee ff ff	2 3 4 5 4 3
SWI	Software Interrupt	PC ← (PC) + 1; Push (PCL) SP ← (SP) – 1; Push (PCH) SP ← (SP) – 1; Push (X) SP ← (SP) – 1; Push (A) SP ← (SP) – 1; Push (CCR) SP ← (SP) – 1; I ← 1 PCH ← Interrupt Vector High Byte PCL ← Interrupt Vector Low Byte	—	1	—	—	—	INH	83		1 0
TAX	Transfer Accumulator to Index Register	X ← (A)	—	—	—	—	—	INH	97		2

Table 10-6. Instruction Set Summary (Sheet 6 of 6)

Source Form	Operation	Description	Effect on CCR					Address Mode	Opcode	Operand	Cycles
			H	I	N	Z	C				
TST <i>opr</i> TSTA TSTX TST <i>opr</i> ,X TST ,X	Test Memory Byte for Negative or Zero	(M) – \$00	—	—	↓	↓	—	DIR INH INH IX1 IX	3D 4D 5D 6D 7D	dd ff	4 3 3 5 4
TXA	Transfer Index Register to Accumulator	A ← (X)	—	—	—	—	—	INH	9F		2
WAIT	Stop CPU Clock and Enable Interrupts		—	0	—	—	—	INH	8F		2

- | | | | |
|----------|---|------------|--------------------------------------|
| A | Accumulator | <i>opr</i> | Operand (one or two bytes) |
| C | Carry/borrow flag | PC | Program counter |
| CCR | Condition code register | PCH | Program counter high byte |
| dd | Direct address of operand | PCL | Program counter low byte |
| dd rr | Direct address of operand and relative offset of branch instruction | REL | Relative addressing mode |
| DIR | Direct addressing mode | <i>rel</i> | Relative program counter offset byte |
| ee ff | High and low bytes of offset in indexed, 16-bit offset addressing | rr | Relative program counter offset byte |
| EXT | Extended addressing mode | SP | Stack pointer |
| ff | Offset byte in indexed, 8-bit offset addressing | X | Index register |
| H | Half-carry flag | Z | Zero flag |
| hh ll | High and low bytes of operand address in extended addressing | # | Immediate value |
| I | Interrupt mask | ^ | Logical AND |
| ii | Immediate operand byte | ∨ | Logical OR |
| IMM | Immediate addressing mode | ⊕ | Logical EXCLUSIVE OR |
| INH | Inherent addressing mode | () | Contents of |
| IX | Indexed, no offset addressing mode | -() | Negation (two's complement) |
| IX1 | Indexed, 8-bit offset addressing mode | ← | Loaded with |
| IX2 | Indexed, 16-bit offset addressing mode | ? | If |
| M | Memory location | : | Concatenated with |
| N | Negative flag | ↓ | Set or cleared |
| <i>n</i> | Any bit | — | Not affected |

10.6 Opcode Map

See [Table 10-7](#).

Instruction Set

Table 10-7. Opcode Map

MSB LSB	Bit Manipulation			Read-Modify-Write				Control			Register/Memory							
	DIR	DIR	REL	DIR	INH	INH	INH	IX1	IX	INH	INH	IMM	DIR	EXT	IX2	IX1	IX	MSB LSB
0	5 DIR2	5 DIR2	3 REL2	3	5	4	3	6	7	8	9	A	B	C	D	E	F	0
	BRSET0 DIR2	BSET0 DIR2	BRA REL2	NEG DIR1	NEGA INH1	NEGA INH1	NEG DIR1	NEG IX11	NEG IX11	RTI INH		SUB IMM2	SUB DIR3	SUB EXT3	SUB IX22	SUB IX11	SUB IX	0
1	5 DIR2	5 DIR2	3 REL2							RTS INH		CMP IMM2	CMP DIR3	CMP EXT3	CMP IX22	CMP IX11	CMP IX	1
	BRCLR0 DIR2	BCLR0 DIR2	BRN REL2									SBC IMM2	SBC DIR3	SBC EXT3	SBC IX22	SBC IX11	SBC IX	2
2	5 DIR2	5 DIR2	3 REL2									CPX IMM2	CPX DIR3	CPX EXT3	CPX IX22	CPX IX11	CPX IX	3
	BRSET1 DIR2	BSET1 DIR2	BHI REL2									CPX IMM2	CPX DIR3	CPX EXT3	CPX IX22	CPX IX11	CPX IX	4
3	5 DIR2	5 DIR2	3 REL2	3	3	3	5	6	5	10		AND IMM2	AND DIR3	AND EXT3	AND IX22	AND IX11	AND IX	5
	BRCLR1 DIR2	BCLR1 DIR2	BLS REL2	COM DIR1	COMX INH1	COMX INH1	COM DIR1	COM IX11	COM IX11	SWI INH		AND IMM2	AND DIR3	AND EXT3	AND IX22	AND IX11	AND IX	6
4	5 DIR2	5 DIR2	3 REL2	5	3	3	5	6	5			BIT IMM2	BIT DIR3	BIT EXT3	BIT IX22	BIT IX11	BIT IX	7
	BRSET2 DIR2	BSET2 DIR2	BCC REL2	LSR DIR1	LSRX INH1	LSRX INH1	LSR DIR1	LSR IX11	LSR IX			BIT IMM2	BIT DIR3	BIT EXT3	BIT IX22	BIT IX11	BIT IX	8
5	5 DIR2	5 DIR2	3 REL2									LDA IMM2	LDA DIR3	LDA EXT3	LDA IX22	LDA IX11	LDA IX	9
	BRCLR2 DIR2	BCLR2 DIR2	BCS/BLO REL2									LDA IMM2	LDA DIR3	LDA EXT3	LDA IX22	LDA IX11	LDA IX	10
6	5 DIR2	5 DIR2	3 REL2	5	3	3	5	6	5			STA IMM2	STA DIR3	STA EXT3	STA IX22	STA IX11	STA IX	11
	BRSET3 DIR2	BSET3 DIR2	BNE REL2	ROR DIR1	RORX INH1	RORX INH1	ROR DIR1	ROR IX11	ROR IX			STA IMM2	STA DIR3	STA EXT3	STA IX22	STA IX11	STA IX	12
7	5 DIR2	5 DIR2	3 REL2	5	3	3	5	6	5			EOR IMM2	EOR DIR3	EOR EXT3	EOR IX22	EOR IX11	EOR IX	13
	BRCLR3 DIR2	BCLR3 DIR2	BEQ REL2	ASR DIR1	ASRX INH1	ASRX INH1	ASR DIR1	ASR IX11	ASR IX	TAX INH		EOR IMM2	EOR DIR3	EOR EXT3	EOR IX22	EOR IX11	EOR IX	14
8	5 DIR2	5 DIR2	3 REL2	5	3	3	5	6	5			ADC IMM2	ADC DIR3	ADC EXT3	ADC IX22	ADC IX11	ADC IX	15
	BRSET4 DIR2	BSET4 DIR2	BHCC REL2	ASL/LSL DIR1	ASL/LSLX INH1	ASL/LSLX INH1	ASL/LSL DIR1	ASL/LSL IX11	ASL/LSL IX			ADC IMM2	ADC DIR3	ADC EXT3	ADC IX22	ADC IX11	ADC IX	16
9	5 DIR2	5 DIR2	3 REL2	5	3	3	5	6	5			ORA IMM2	ORA DIR3	ORA EXT3	ORA IX22	ORA IX11	ORA IX	17
	BRCLR4 DIR2	BCLR4 DIR2	BHCS REL2	ROL DIR1	ROLX INH1	ROLX INH1	ROL DIR1	ROL IX11	ROL IX			ORA IMM2	ORA DIR3	ORA EXT3	ORA IX22	ORA IX11	ORA IX	18
A	5 DIR2	5 DIR2	3 REL2	5	3	3	5	6	5			DEC IMM2	DEC DIR3	DEC EXT3	DEC IX22	DEC IX11	DEC IX	19
	BRSET5 DIR2	BSET5 DIR2	BPL REL2	DEC DIR1	DECX INH1	DECX INH1	DEC DIR1	DEC IX11	DEC IX			DEC IMM2	DEC DIR3	DEC EXT3	DEC IX22	DEC IX11	DEC IX	20
B	5 DIR2	5 DIR2	3 REL2									ADD IMM2	ADD DIR3	ADD EXT3	ADD IX22	ADD IX11	ADD IX	21
	BRCLR5 DIR2	BCLR5 DIR2	BMI REL2									ADD IMM2	ADD DIR3	ADD EXT3	ADD IX22	ADD IX11	ADD IX	22
C	5 DIR2	5 DIR2	3 REL2	5	3	3	5	6	5			JMP IMM2	JMP DIR3	JMP EXT3	JMP IX22	JMP IX11	JMP IX	23
	BRSET6 DIR2	BSET6 DIR2	BMC REL2	INC DIR1	INCX INH1	INCX INH1	INC DIR1	INC IX11	INC IX			JMP IMM2	JMP DIR3	JMP EXT3	JMP IX22	JMP IX11	JMP IX	24
D	5 DIR2	5 DIR2	3 REL2	5	3	3	5	6	5			BSR REL2	BSR DIR3	BSR EXT3	BSR IX22	BSR IX11	BSR IX	25
	BRCLR6 DIR2	BCLR6 DIR2	BMS REL2	TST DIR1	TSTX INH1	TSTX INH1	TST DIR1	TST IX11	TST IX			BSR REL2	BSR DIR3	BSR EXT3	BSR IX22	BSR IX11	BSR IX	26
E	5 DIR2	5 DIR2	3 REL2									LDX IMM2	LDX DIR3	LDX EXT3	LDX IX22	LDX IX11	LDX IX	27
	BRSET7 DIR2	BSET7 DIR2	BIL REL2							STOP INH		LDX IMM2	LDX DIR3	LDX EXT3	LDX IX22	LDX IX11	LDX IX	28
F	5 DIR2	5 DIR2	3 REL2	5	3	3	5	6	5			STX IMM2	STX DIR3	STX EXT3	STX IX22	STX IX11	STX IX	29
	BRCLR7 DIR2	BCLR7 DIR2	BIH REL2	CLR DIR1	CLRX INH1	CLRX INH1	CLR DIR1	CLR IX11	CLR IX			STX IMM2	STX DIR3	STX EXT3	STX IX22	STX IX11	STX IX	30

INH = Inherent
IMM = Immediate
DIR = Direct
EXT = Extended

REL = Relative
IX = Indexed, No Offset
IX1 = Indexed, 8-Bit Offset
IX2 = Indexed, 16-Bit Offset

MSB
LSB

MSB of Opcode in Hexadecimal
0

MSB
LSB

MSB of Opcode in Hexadecimal
0

MSB
LSB

MSB of Opcode in Hexadecimal
0

MSB
LSB

MSB of Opcode in Hexadecimal
0

MSB
LSB

MSB of Opcode in Hexadecimal
0

MSB
LSB

MSB of Opcode in Hexadecimal
0

Section 11. Electrical Specifications

11.1 Contents

11.2	Introduction	111
11.3	Maximum Ratings	112
11.4	Equivalent Pin Loading	112
11.5	Operating Temperature Range	113
11.6	Thermal Characteristics	113
11.7	Power Considerations	114
11.8	5.0-Volt DC Electrical Characteristics	115
11.9	3.3-Volt DC Electrical Specifications	116
11.10	5.0-Volt Control Timing	120
11.11	3.3-Volt Control Timing	121
11.12	Typical Oscillator Characteristics	124

11.2 Introduction

This section contains electrical and timing specifications.

11.3 Maximum Ratings

Maximum ratings are the extreme limits to which the MCU can be exposed without permanently damaging it.

The MCU contains circuitry to protect the inputs against damage from high static voltages; however, do not apply voltages higher than those shown in the table here. Keep V_{In} and V_{Out} within the range $V_{SS} \leq (V_{In} \text{ or } V_{Out}) \leq V_{DD}$. Connect unused inputs to the appropriate voltage level, either V_{SS} or V_{DD} .

Rating ⁽¹⁾	Symbol	Value	Unit
Supply voltage	V_{DD}	-0.3 to +7.0	V
Current drain per pin excluding V_{DD} and V_{SS}	I	25	mA
Storage temperature range	T_{STG}	-65 to +150	°C

1. Maximum values are not guaranteed operating values.

NOTE: This device is not guaranteed to operate properly at the maximum ratings. Refer to [11.8 5.0-Volt DC Electrical Characteristics](#) and [11.9 3.3-Volt DC Electrical Specifications](#) for guaranteed operating conditions.

11.4 Equivalent Pin Loading

Figure 11-1 shows the equivalent input/output (I/O) pin loading for test purposes.

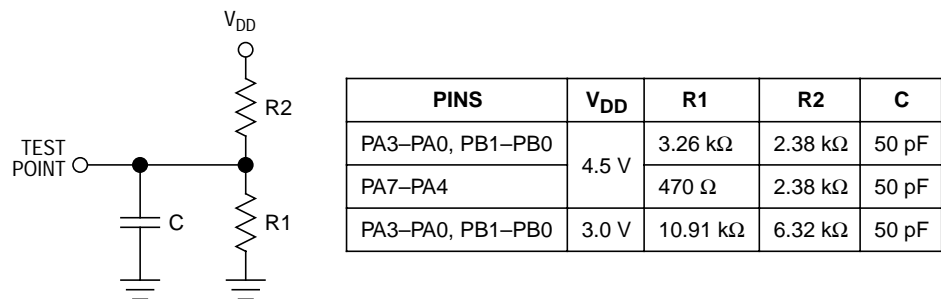


Figure 11-1. Equivalent Test Load

11.5 Operating Temperature Range

Rating	Symbol	Value	Unit
Operating temperature range MC68HC05K0/K1P ⁽¹⁾ , DW ⁽²⁾ MC68HC05K0/K1C ⁽³⁾ P, CDW MC68HC05K0/K1V ⁽⁴⁾ P, VDW	T_A	0 to +70 –40 to +85 –40 to +105	°C

1. P = Plastic dual in-line package (PDIP)
2. DW = Small outline integrated circuit (SOIC)
3. C = Extended temperature range (–40°C to +85°C)
4. V = Automotive temperature range (–40°C to +105°C)

11.6 Thermal Characteristics

Characteristic	Symbol	Value	Unit
Maximum junction temperature	T_J	150	°C
Thermal resistance MC68HC05K0/K1P ⁽¹⁾ MC68HC05K0/K1DW ⁽²⁾	θ_{JA}	100 140	°C/W

1. P = Plastic dual in-line package (PDIP)
2. DW = Small outline integrated circuit (SOIC)

11.7 Power Considerations

The average chip junction temperature, T_J , in °C can be obtained from:

$$T_J = T_A + (P_D \times \theta_{JA}) \quad (1)$$

Where:

T_A = ambient temperature in °C

θ_{JA} = package thermal resistance, junction to ambient in °C/W

$P_D = P_{INT} + P_{I/O}$

$P_{INT} = I_{CC} \times V_{CC}$ = chip internal power dissipation

$P_{I/O}$ = power dissipation on input and output pins (user-determined)

For most applications, $P_{I/O} < P_{INT}$ and can be neglected.

Ignoring $P_{I/O}$, the relationship between P_D and T_J is approximately:

$$P_D = \frac{K}{T_J + 273^\circ\text{C}} \quad (2)$$

Solving equations (1) and (2) for K gives:

$$= P_D \times (T_A + 273^\circ\text{C}) + \theta_{JA} \times (P_D)^2 \quad (3)$$

where K is a constant pertaining to the particular part. K can be determined from equation (3) by measuring P_D (at equilibrium) for a known T_A . Using this value of K, the values of P_D and T_J can be obtained by solving equations (1) and (2) iteratively for any value of T_A .

11.8 5.0-Volt DC Electrical Characteristics

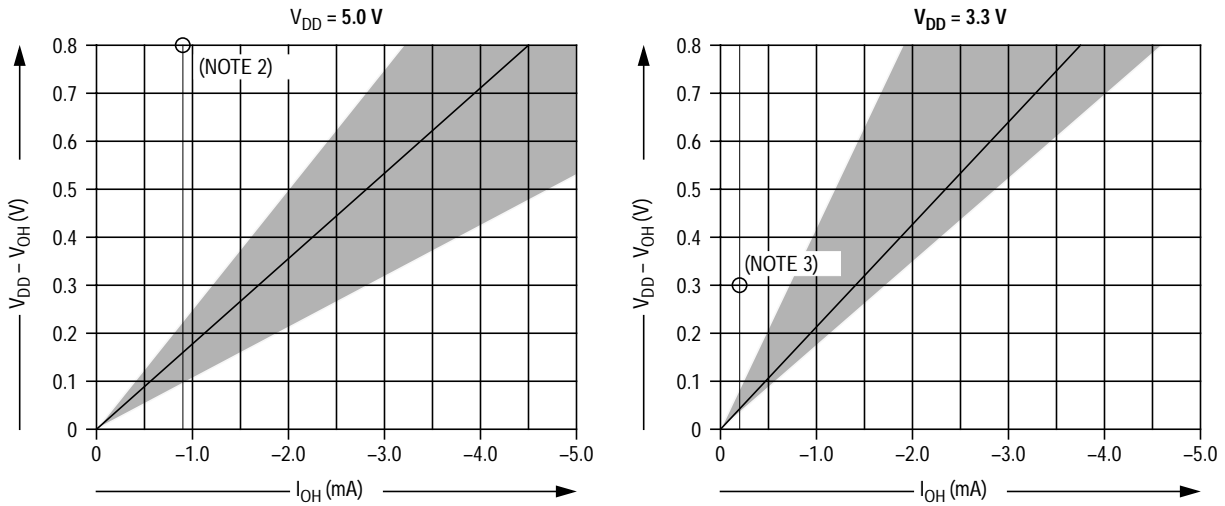
Characteristic ⁽¹⁾	Symbol	Min	Typ	Max	Unit
Output voltage $I_{Load} = 10.0 \mu A$ $I_{Load} = -10.0 \mu A$	V_{OL} V_{OH}	— $V_{DD} - 0.1$	— —	0.1 —	V
Output high voltage ($I_{Load} = -0.8 \text{ mA}$) PA7–PA0, PB1/OSC3, PB0	V_{OH}	$V_{DD} - 0.8$	—	—	V
Output low voltage PA3–PA0, PB1/OSC3, PB0 ($I_{Load} = 1.6 \text{ mA}$) PA7–PA4 ($I_{Load} = 8.0 \text{ mA}$)	V_{OL}	— —	— —	0.4 0.4	V
Input high voltage PA7–PA0, PB1/OSC3, PB0, \overline{IRQ}/V_{PP} , \overline{RESET} , OSC1	V_{IH}	$0.7 \times V_{DD}$	—	V_{DD}	V
Input low voltage PA7–PA0, PB1/OSC3, PB0, \overline{IRQ}/V_{PP} , \overline{RESET} , OSC1	V_{IL}	V_{SS}	—	$0.3 \times V_{DD}$	V
Supply current Run ⁽²⁾ Wait ⁽³⁾ Stop ⁽⁴⁾ 25°C 0°C to +70°C (Standard) –40°C to +85°C (Extended) LVR enabled (25°C) LVR disabled (25°C)	I_{DD}	— — — — — — —	2.0 0.4 0.2 0.7 1 45 0.2	7 4 10 10 10 100 10	mA mA μA μA μA μA μA
I/O ports hi-z leakage current PA7–PA0, PB1/OSC3, PB0 (pulldown devices off)	I_{OZ}	—	—	± 10	μA
Input pulldown current PA7–PA0, PB1/OSC3, PB0 (pulldown devices on)	I_{IL}	50	75	200	μA
Input current \overline{IRQ}/V_{PP} , OSC1 \overline{RESET} (pulldown device off) \overline{RESET} (pulldown device on)	I_{In}	— — 1.0	— — 4.0	± 1 ± 1 8.0	μA μA mA
Capacitance Ports (input or output) \overline{RESET} , \overline{IRQ}/V_{PP}	C_{Out} C_{In}	— —	— —	12 8	pF
Low-voltage reset threshold	V_{LVR}	2.8	3.5	4.5	V
Oscillator internal resistor (OSC1 to OSC2)	R_{OSC}	1.0	2.0	3.0	M Ω
PEPROM programming voltage ⁽⁵⁾	V_{PP}	17.0	17.5	18.0	V
PEPROM programming current	I_{PP}	—	5	10	mA

- $V_{DD} = 5.0 \text{ V} \pm 10\%$, typical values reflect average measurements at midpoint of voltage range at 25°C
- Run (operating) I_{DD} measured using external square wave clock source ($f_{osc} = 4.2 \text{ MHz}$). All inputs 0.2 V from rail. No dc loads. Less than 50 pF on all outputs. $C_L = 20 \text{ pF}$ on OSC2. OSC2 capacitance linearly affects run I_{DD} .
- Wait I_{DD} measured using external square wave clock source ($f_{osc} = 4.2 \text{ MHz}$) All inputs 0.2 V from rail. No dc loads. Less than 50 pF on all outputs. $C_L = 20 \text{ pF}$ on OSC2. All ports configured as inputs. $V_{IL} = 0.2 \text{ V}$, $V_{IH} = V_{DD} - 0.2 \text{ V}$. OSC2 capacitance linearly affects wait I_{DD} .
- Stop I_{DD} measured with $OSC1 = V_{DD}$. All ports configured as inputs. $V_{IL} = 0.2 \text{ V}$, $V_{IH} = V_{DD} - 0.2 \text{ V}$.
- Programming voltage measured at \overline{IRQ}/V_{PP} pin

11.9 3.3-Volt DC Electrical Specifications

Characteristic	Symbol	Min	Typ ⁽¹⁾	Max	Unit
Output voltage $I_{Load} = 10.0 \mu A$ $I_{Load} = -10.0 \mu A$	V_{OL} V_{OH}	— $V_{DD} - 0.1$	— —	0.1 —	V
Output high voltage ($I_{Load} = -0.4 \text{ mA}$) PA7–PA0, PB1/OSC3, PB0	V_{OH}	$V_{DD} - 0.3$	—	—	V
Output low voltage PA3–PA0, PB1/OSC3, PB0 ($I_{Load} = 0.4 \text{ mA}$) PA7–PA4 ($I_{Load} = 3.0 \text{ mA}$)	V_{OL}	— —	— —	0.3 0.3	V V
Input high voltage PA7–PA0, PB1/OSC3, PB0, \overline{IRQ}/V_{PP} , \overline{RESET} , OSC1	V_{IH}	$0.7 \times V_{DD}$	—	V_{DD}	V
Input low voltage PA7–PA0, PB1/OSC3, PB0, \overline{IRQ}/V_{PP} , \overline{RESET} , OSC1	V_{IL}	V_{SS}	—	$0.2 \times V_{DD}$	V
Supply current Run ⁽²⁾ Wait ⁽³⁾ Stop ⁽⁴⁾ 25°C 0°C to 70°C (standard) –40°C to +85°C (extended)	I_{DD}	— — — — —	0.8 0.3 0.05 0.5 1	2.5 1.0 5 5 5	mA mA μA μA μA
I/O ports hi-z leakage current PA7–PA0, PB1/OSC3, PB0 (pulldown devices off)	I_{OZ}	—	—	± 10	μA
Input pulldown current PA7–PA0, PB1/OSC3, PB0 (pulldown devices on)	I_{IL}	10	20	100	μA
Input current \overline{IRQ}/V_{PP} , OSC1 \overline{RESET} (pulldown devices off) \overline{RESET} (pulldown devices on)	I_{In}	— — 0.2	— — 2.0	± 1 ± 1 4.0	μA μA mA
Capacitance Ports (input or output) \overline{RESET} , \overline{IRQ}/V_{PP}	C_{Out} C_{In}	— —	— —	12 8	pF
Oscillator internal resistor (OSC1 to OSC2)	R_{OSC}	1.0	2.0	3.0	M Ω

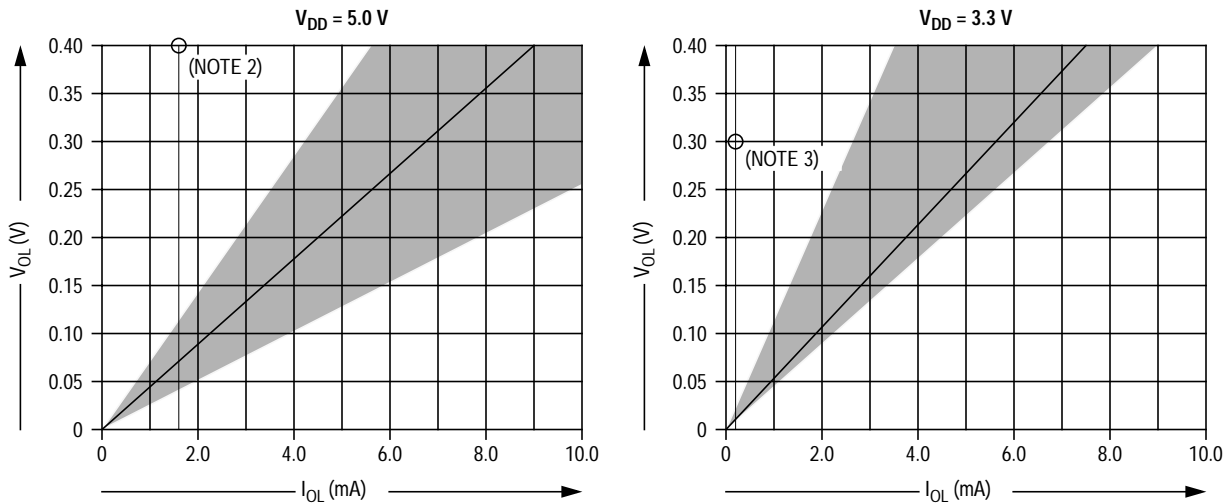
- $V_{DD} = 3.3 \text{ V} \pm 0.3 \text{ V}$, typical values reflect average measurements at midpoint of voltage range at 25°C
- Run (operating) I_{DD} measured using external square wave clock source ($f_{osc} = 2.0 \text{ MHz}$) with all inputs 0.2 V from rail; no dc loads; less than 50 pF on all outputs; $C_L = 20 \text{ pF}$ on OSC2. OSC2 capacitance linearly affects run I_{DD} .
- Wait I_{DD} measured using external square wave clock source ($f_{osc} = 2.0 \text{ MHz}$). All inputs 0.2 V from rail. No dc loads. Less than 50 pF on all outputs. $C_L = 20 \text{ pF}$ on OSC2. All ports configured as inputs. $V_{IL} = 0.2 \text{ V}$, $V_{IH} = V_{DD} - 0.2 \text{ V}$. OSC2 capacitance linearly affects wait I_{DD} .
- Stop I_{DD} measured with OSC1 = V_{DD} . Low-voltage reset disabled. All ports configured as inputs. $V_{IL} = 0.2 \text{ V}$, $V_{IH} = V_{DD} - 0.2 \text{ V}$.



Notes:

1. Shaded area indicates variation in driver characteristics due to changes in temperature and for normal processing tolerances. Within the limited range of values shown, V versus I curves are approximately straight lines.
2. At $V_{DD} = 5.0\text{ V}$, devices are specified and tested for $V_{OH} \geq V_{DD} - 800\text{ mV}$ @ $I_{OH} = -0.8\text{ mA}$.
3. At $V_{DD} = 3.3\text{ V}$, devices are specified and tested for $V_{OH} \geq V_{DD} - 300\text{ mV}$ @ $I_{OH} = -0.2\text{ mA}$.

Figure 11-2. Typical High-Side Driver Characteristics



Notes:

1. Shaded area indicates variation in driver characteristics due to changes in temperature and for normal processing tolerances. Within the limited range of values shown, V versus I curves are approximately straight lines.
2. At $V_{DD} = 5.0\text{ V}$, devices are specified and tested for $V_{OL} \leq 400\text{ mV}$ @ $I_{OL} = 1.6\text{ mA}$.
3. At $V_{DD} = 3.3\text{ V}$, devices are specified and tested for $V_{OL} \leq 300\text{ mV}$ @ $I_{OL} = 0.4\text{ mA}$.

Figure 11-3. Typical Low-Side Driver Characteristics

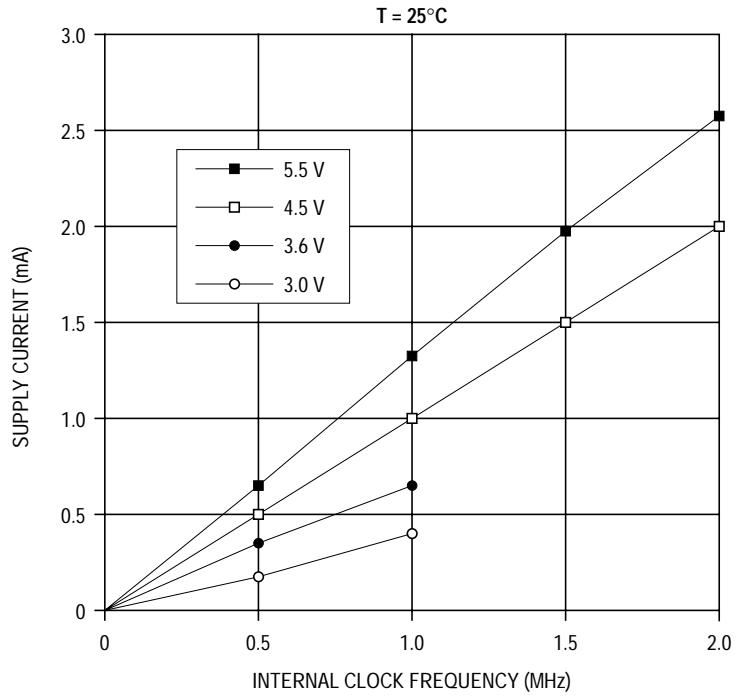


Figure 11-4. Typical Run I_{DD} versus Internal Clock Frequency

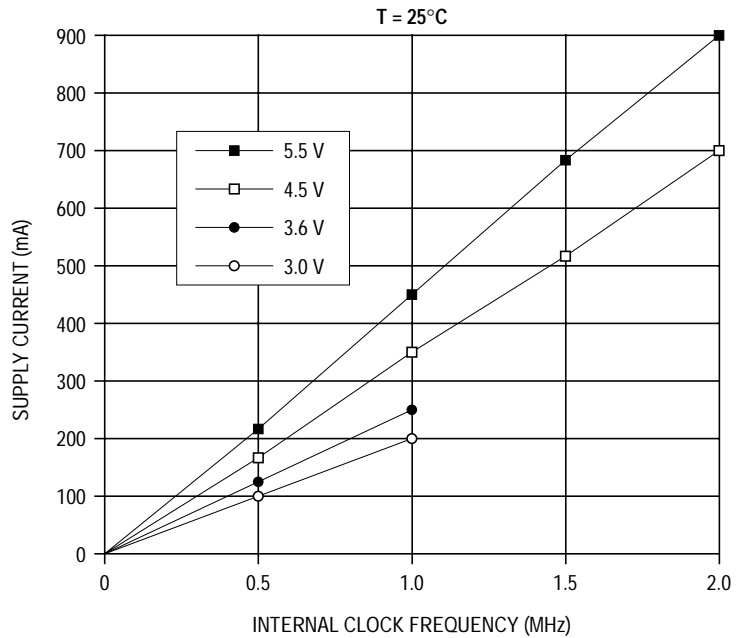


Figure 11-5. Typical Wait I_{DD} versus Internal Clock Frequency

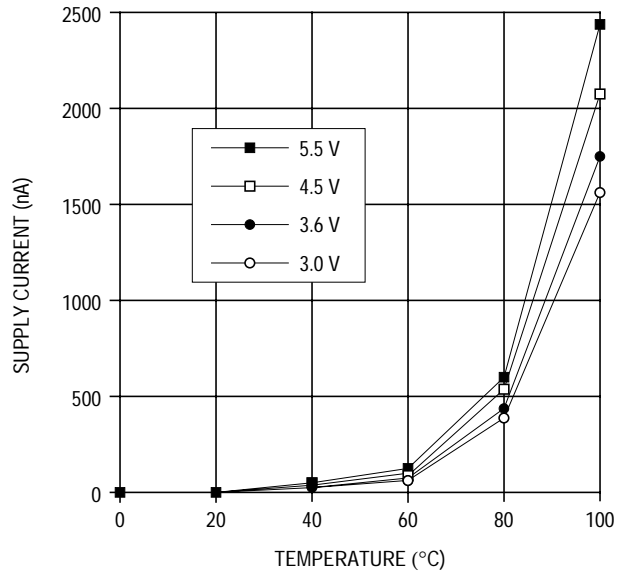


Figure 11-6. Typical Stop I_{DD} versus Temperature

11.10 5.0-Volt Control Timing

Characteristic ⁽¹⁾	Symbol	Min	Max	Unit
Oscillator frequency 3-pin RC oscillator 2-pin RC oscillator Crystal ⁽²⁾ /ceramic resonator External clock	f_{osc}	0.1 ⁽³⁾ 0.1 ⁽²⁾ 0.500 dc	1.2 2.4 4.0 4.0	MHz
Internal operating frequency ($f_{osc} \div 2$) 3-pin RC oscillator 2-pin RC oscillator Crystal ⁽¹⁾ /ceramic resonator External clock	f_{op}	0.05 ⁽²⁾ 0.05 ⁽²⁾ 0.250 dc	0.6 1.2 2.0 2.0	MHz
2-pin RC oscillator frequency combined stability ⁽⁴⁾ $f_{osc} = 2.0$ MHz; $V_{DD} = 5.0$ Vdc $\pm 10\%$; $T_A = -40^\circ\text{C}$ to $+85^\circ\text{C}$ $f_{osc} = 2.0$ MHz; $V_{DD} = 5.0$ Vdc $\pm 10\%$; $T_A = 0^\circ\text{C}$ to $+40^\circ\text{C}$	Δf_{osc}	— —	± 25 ± 15	%
3-pin RC oscillator frequency combined stability ⁽³⁾ $f_{osc} = 1.0$ MHz; $V_{DD} = 5.0$ Vdc $\pm 10\%$; $T_A = -40^\circ\text{C}$ to $+85^\circ\text{C}$ $f_{osc} = 1.0$ MHz; $V_{DD} = 5.0$ Vdc $\pm 10\%$; $T_A = 0^\circ\text{C}$ to $+40^\circ\text{C}$	Δf_{osc}	— —	± 15 ± 7	%
Cycle time ($1 \div f_{op}$)	t_{cyc}	500	—	ns
RC oscillator stabilization time	t_{RCON}	—	1	ms
Crystal oscillator startup time	t_{OXOV}	—	100	ms
Stop recovery startup time	t_{LCH}	—	100	ms
$\overline{\text{RESET}}$ pulse width low	t_{RL}	1.5	—	t_{cyc}
Timer resolution ⁽⁵⁾	t_{RESL}	4.0	—	t_{cyc}
$\overline{\text{IRQ}}$ interrupt pulse width low (edge-triggered)	t_{LILH}	250	—	ns
$\overline{\text{IRQ}}$ interrupt pulse period	t_{LIL}	Note ⁽⁶⁾	—	t_{cyc}
PA3–PA0 interrupt pulse width high (edge-triggered)	t_{IHIL}	250	—	ns
PA3–PA0 interrupt pulse period	t_{IHIH}	Note ⁽⁵⁾	—	t_{cyc}
OSC1 pulse width	t_{OH}, t_{OL}	200	—	ns
PEPROM programming time per byte ⁽⁷⁾	t_{EPGM}	10	15	ms

1. $V_{DD} = 5.0$ Vdc $\pm 10\%$

2. Use only AT-cut crystals.

3. Minimum oscillator frequency with RC oscillator option is limited only by size of external R and C and leakage of external C.

4. Includes processing tolerances and variations in temperature and supply voltage; excludes tolerances of external R and C.

5. The 2-bit timer prescaler is the limiting factor in determining timer resolution.

6. The minimum period, t_{LIL} or t_{IHIH} , should not be less than the number of cycles it takes to execute the interrupt service routine plus $19 t_{cyc}$.

7. Programming time per byte is t_{EPGM} which may be accumulated during multiple programming passes.

11.11 3.3-Volt Control Timing

Characteristic ⁽¹⁾	Symbol	Min	Max	Unit
Oscillator frequency 3-pin RC oscillator 2-pin RC oscillator Crystal ⁽²⁾ /ceramic resonator External clock	f_{osc}	0.1 ⁽³⁾ 0.1 ⁽²⁾ 0.500 dc	1.2 2.0 2.0 2.0	MHz
Internal operating frequency ($f_{osc} \div 2$) 3-pin RC oscillator 2-pin RC oscillator Crystal ⁽¹⁾ /ceramic resonator External clock	f_{op}	0.05 ⁽²⁾ 0.05 ⁽²⁾ 0.250 dc	0.6 1.0 1.0 1.0	MHz
2-pin RC oscillator frequency combined stability ⁽⁴⁾ $f_{osc} = 2.0$ MHz; $V_{DD} = 3.3$ Vdc ± 0.3 V; $T_A = -40^\circ\text{C}$ to $+85^\circ\text{C}$ $f_{osc} = 2.0$ MHz; $V_{DD} = 3.3$ Vdc ± 0.3 V; $T_A = 0^\circ\text{C}$ to $+40^\circ\text{C}$	Δf_{osc}	— —	± 35 ± 20	%
3-pin RC oscillator frequency combined stability ⁽³⁾ $f_{osc} = 1.0$ MHz; $V_{DD} = 3.3$ Vdc ± 0.3 V; $T_A = -40^\circ\text{C}$ to $+85^\circ\text{C}$ $f_{osc} = 1.0$ MHz; $V_{DD} = 3.3$ Vdc ± 0.3 V; $T_A = 0^\circ\text{C}$ to $+40^\circ\text{C}$	Δf_{osc}	— —	± 15 ± 10	%
Cycle time ($1 \div f_{op}$)	t_{cyc}	1000	—	ns
RC oscillator stabilization time	t_{RCON}	—	1	ms
Crystal oscillator startup time	t_{OXOV}	—	100	ms
Stop recovery startup time	t_{ILCH}	—	100	ms
$\overline{\text{RESET}}$ pulse width low	t_{RL}	1.5	—	t_{cyc}
Timer resolution ⁽⁵⁾	t_{RESL}	4.0	—	t_{cyc}
$\overline{\text{IRQ}}$ interrupt pulse width low (edge-triggered)	t_{LIH}	250	—	ns
$\overline{\text{IRQ}}$ interrupt pulse period	t_{LIL}	Note ⁽⁶⁾	—	t_{cyc}
PA3–PA0 interrupt pulse width high (edge-triggered)	t_{HIL}	250	—	ns
PA3–PA0 interrupt pulse period	t_{HIH}	Note ⁽⁵⁾	—	t_{cyc}
OSC1 pulse width	t_{OH}, t_{OL}	200	—	ns

1. $V_{DD} = 3.3$ Vdc $\pm 10\%$

2. Use only AT-cut crystals.

3. Minimum oscillator frequency with RC oscillator option is limited only by size of external R and C and leakage of external C.

4. Includes processing tolerances and variations in temperature and supply voltage; excludes tolerances of external R and C.

5. The 2-bit timer prescaler is the limiting factor in determining timer resolution.

6. The minimum period, t_{LIL} or t_{HIH} , should not be less than the number of cycles it takes to execute the interrupt service routine plus $19 t_{cyc}$.

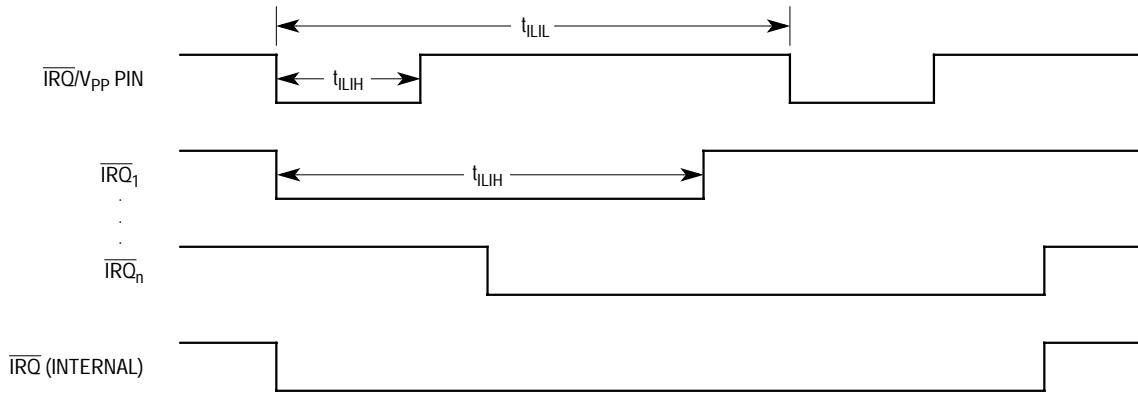
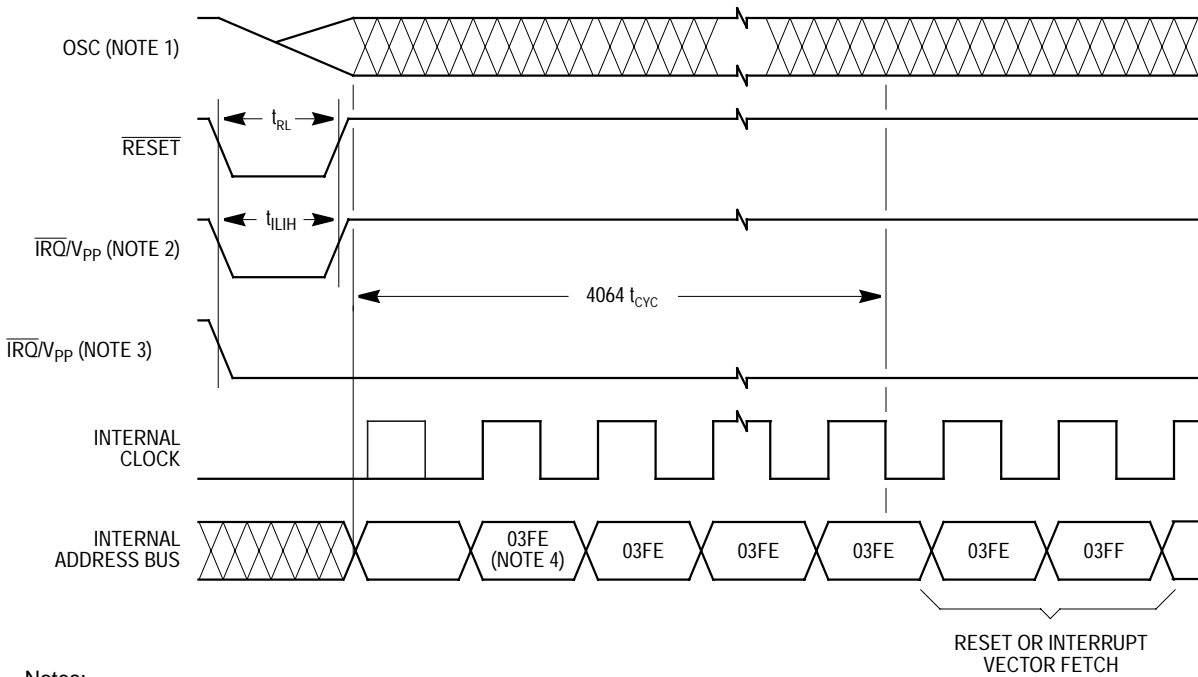


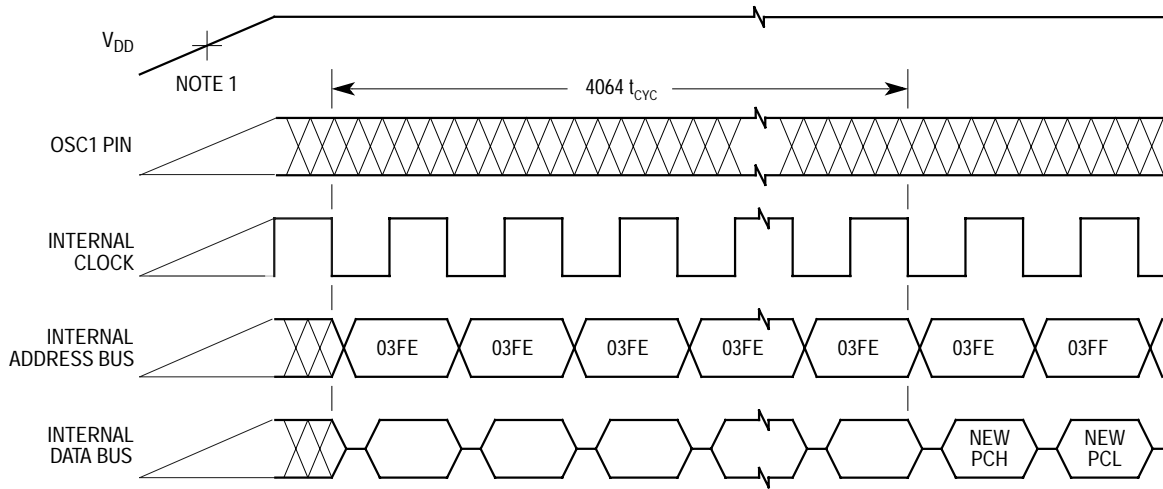
Figure 11-7. External Interrupt Timing



Notes:

1. Internal clocking from OSC1 pin
2. Edge-triggered external interrupt mask option
3. Edge- and level-triggered external interrupt mask option
4. Reset vector shown as example

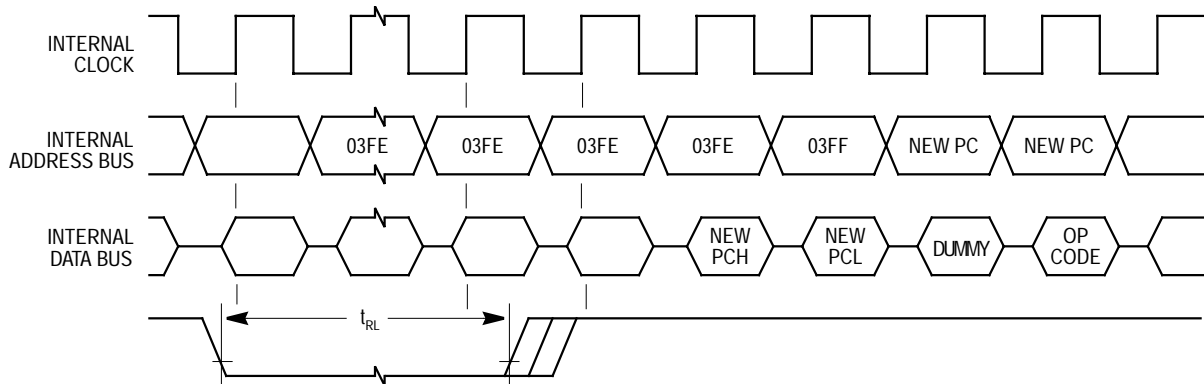
Figure 11-8. Stop Mode Recovery Timing



Notes:

1. Power-on reset threshold is typically between 1 V and 2 V.
2. Internal clock, internal address bus, and internal data bus are not available externally.

Figure 11-9. Power-On Reset Timing



Notes:

1. Internal clock, internal address bus, and internal data bus are not available externally.
2. The next rising edge of the internal clock after the rising edge of \overline{RESET} initiates the reset sequence.

Figure 11-10. External Reset Timing

11.12 Typical Oscillator Characteristics

Parameter		V _{DD} = 3.0 V	V _{DD} = 5.0 V	Units
Oscillator Type	Nominal Frequency			
Frequency Variation (Part-to-Part)				
2-pin RC oscillator	2 MHz	±12	±7	%
3-pin RC oscillator	1 MHz	±5	±4	
Frequency Variation with Temperature				
2-pin RC oscillator	2 MHz	-2100	-1600	ppm/°C
3-pin RC oscillator	1 MHz	-1100	-1100	
Frequency Variation with Supply Voltage				
2-pin RC oscillator	2 MHz	±1.0	±0.2	%f/%V
3-pin RC oscillator	1 MHz	±0.3	±0.1	
Cumulative Frequency Variations⁽¹⁾				
2-pin RC oscillator	2 MHz	±36	±20	%
3-pin RC oscillator	1 MHz	±16	±13	

1. V_{DD} ±10%; T_A = -40°C to +85°C

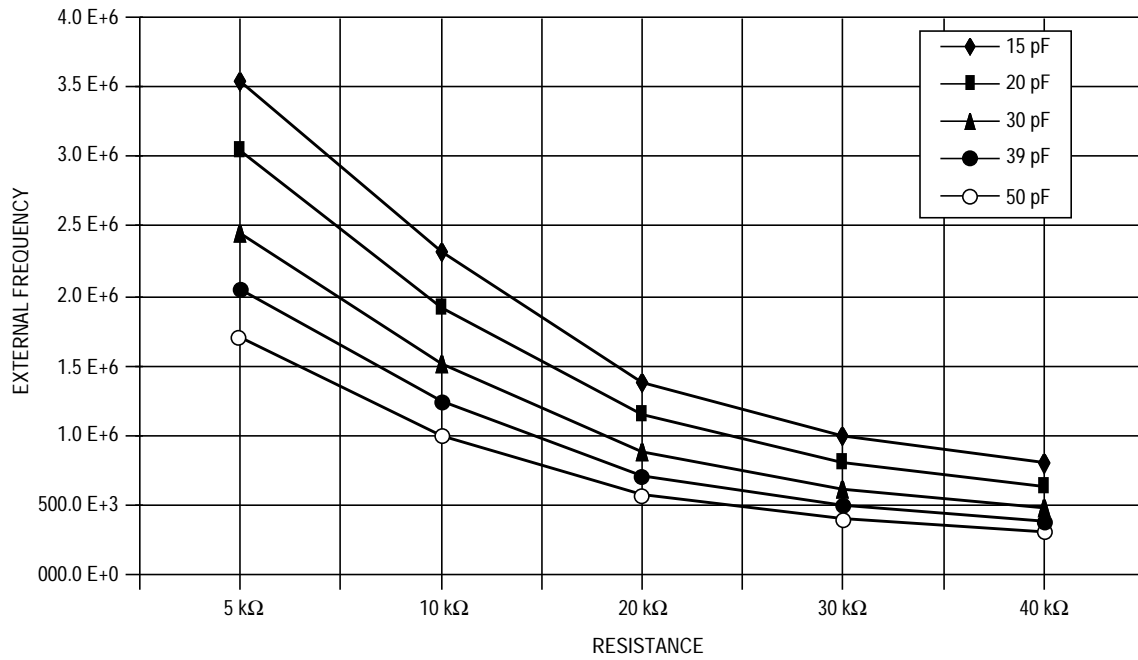


Figure 11-11. 2-Pin RC Oscillator R versus Frequency ($V_{DD} = 5.0 \text{ V}$)

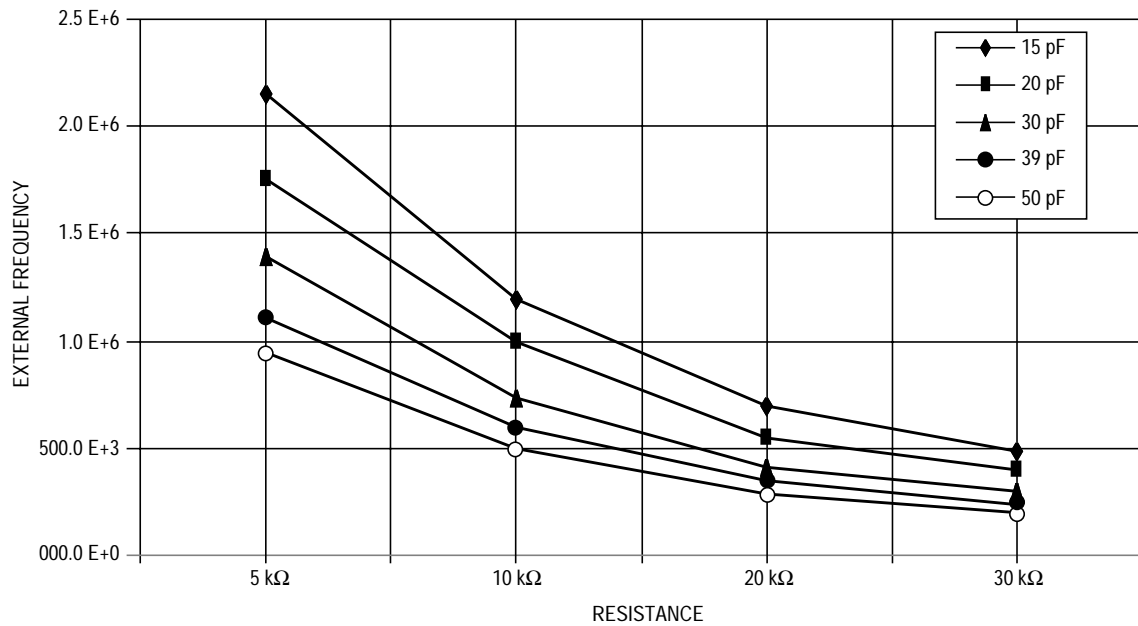


Figure 11-12. 3-Pin RC Oscillator R versus Frequency ($V_{DD} = 5.0 \text{ V}$)

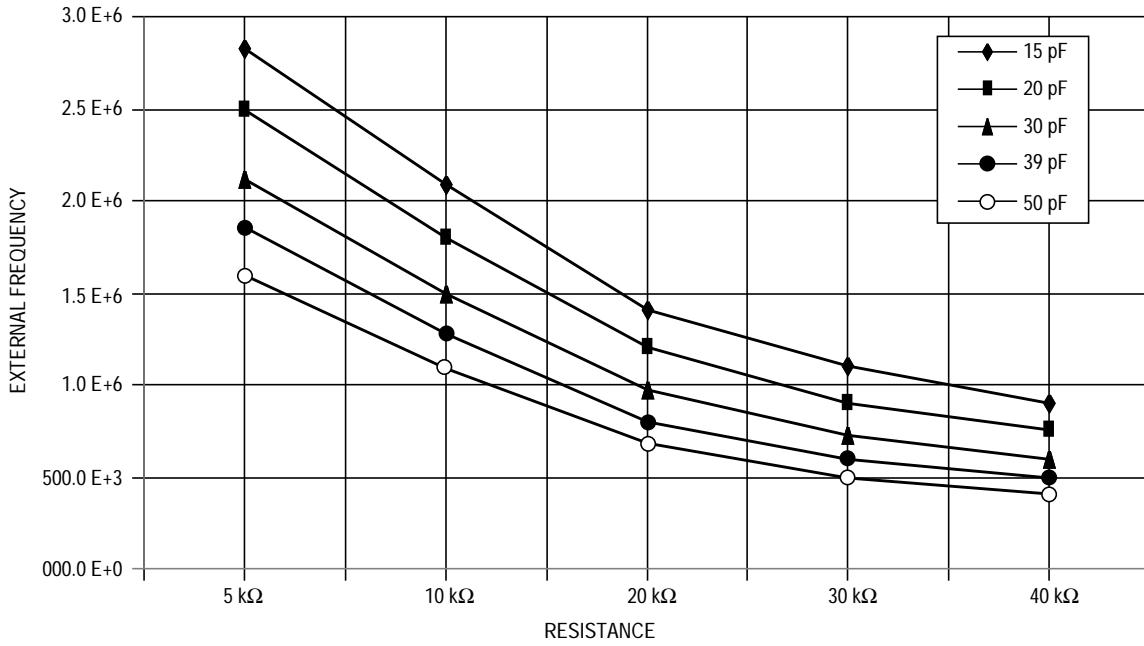


Figure 11-13. 2-Pin Oscillator R versus Frequency ($V_{DD} = 3.0\text{ V}$)

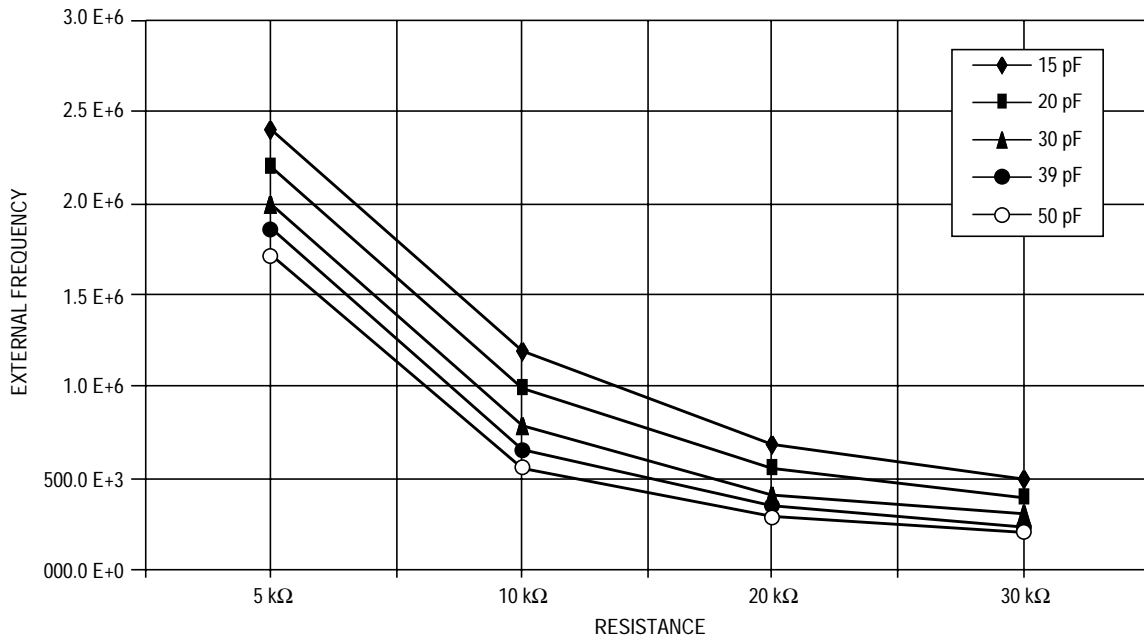


Figure 11-14. 3-Pin Oscillator R versus Frequency ($V_{DD} = 3.0\text{ V}$)

Section 12. Mechanical Specifications

12.1 Contents

12.2	Introduction	127
12.3	MC68HC05K0/MC68HC05K1P (PDIP)	128
12.4	MC68HC05K0/MC68HC05K1DW (SOIC)	128

12.2 Introduction

Package dimensions available at the time of this publication are provided in this section. The packages are:

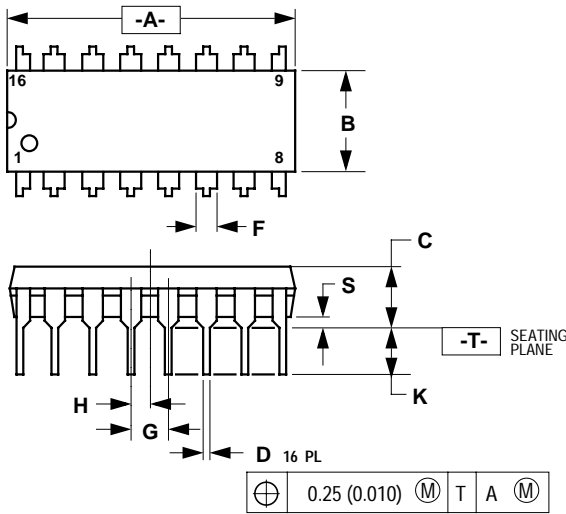
- 16-pin plastic dual-in-line package (PDIP)
- 16-pin small outline integrated circuit (SOIC)

To make sure that you have the latest case outline specifications, contact one of these:

- Local Motorola sales office
- Motorola Mfax
 - Phone 602-244-6609
 - EMAIL rmfax0@email.sps.mot.com
- World Wide Web (wwweb) at <http://www.mcu.motsps.com>

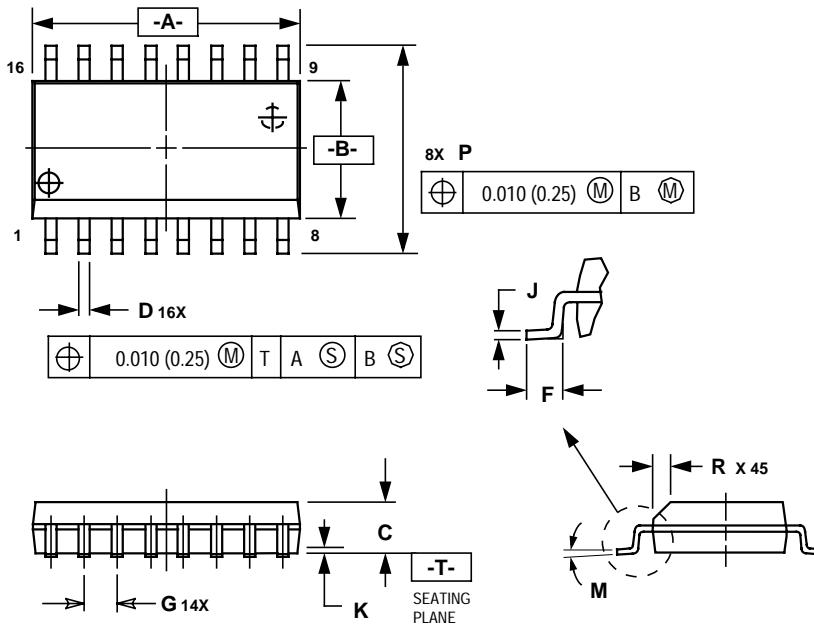
Follow Mfax or wwweb on-line instructions to retrieve the current mechanical specifications.

12.3 MC68HC05K0/MC68HC05K1P (PDIP)



DIM	INCHES		MILLIMETERS	
	MIN	MAX	MIN	MAX
A	0.740	0.770	18.80	19.55
B	0.250	0.270	6.35	6.85
C	0.145	0.175	3.69	4.44
D	0.015	0.021	0.39	0.53
F	0.040	0.70	1.02	1.77
G	0.100 BSC		2.54 BSC	
H	0.050 BSC		1.27 BSC	
J	0.008	0.015	0.21	0.38
K	0.110	0.130	2.80	3.30
L	0.295	0.305	7.50	7.74
M	0°	10°	0°	10°
S	0.020	0.040	0.51	1.01

12.4 MC68HC05K0/MC68HC05K1DW (SOIC)



DIM	MILLIMETERS		INCHES	
	MIN	MAX	MIN	MAX
A	10.15	10.45	0.400	0.411
B	7.40	7.60	0.292	0.299
C	2.35	2.65	0.093	0.104
D	0.35	0.49	0.014	0.019
F	0.50	0.90	0.020	0.035
G	1.27 BSC		0.050 BSC	
J	0.25	0.32	0.010	0.012
K	0.10	0.25	0.004	0.009
M	0°	7°	0°	7°
P	10.05	10.55	0.395	0.415
R	0.25	0.75	0.010	0.029

Section 13. Ordering Information

13.1 Contents

13.2	Introduction	129
13.3	MCU Ordering Forms	130
13.4	Application Program Media	130
13.4.1	Diskettes	131
13.4.2	EPROMs	132
13.5	ROM Program Verification	132
13.6	ROM Verification Units (RVUs)	133
13.7	MCU Order Numbers	134

13.2 Introduction

This section contains instructions for ordering custom-masked read-only memory (ROM) microcontroller units (MCU).

13.3 MCU Ordering Forms

To initiate an order for a ROM-based MCU, first obtain the current ordering form for the MCU from a Motorola representative. Submit these items when ordering MCUs:

- A current MCU ordering form that is **completely filled out**. Contact a Motorola sales office for assistance.
- A copy of the customer specification if the customer specification deviates from the Motorola specification for the MCU
- Customer's application program on one of the media listed in [13.4 Application Program Media](#)

The current MCU ordering form is also available through the World Wide Web (wwwweb) at <http://www.mcu.motsps.com>

13.4 Application Program Media

Deliver the application program to Motorola in one of these media:

- Macintosh®¹ 3 1/2-inch diskette (double-sided double-density 800 Kbytes or double-sided high-density 1.4 Mbytes)
- MS-DOS®² or PC-DOS®³ 3 1/2-inch diskette (double-sided double-density 720 Kbytes or double-sided high-density 1.44 Mbytes)
- MS-DOS® or PC-DOS® 5 1/4-inch diskette (double-sided double-density 360 Kbytes or double-sided high-density 1.2 Mbytes)
- Erasable, programmable read-only memory(s) (EPROM) 2716, 2732, 2764, 27,128, 27,256, or 27,512 (depending on the size of the memory map of the MCU)

Use positive logic for data and addresses.

1. Macintosh is a registered trademark of Apple Computer, Inc.

2. MS-DOS is a registered trademark of Microsoft, Inc.

3. PC-DOS is a registered trademark of International Business Machines Corporation.

13.4.1 Diskettes

If submitting the application program on a diskette, clearly label the diskette with this information:

- Customer name
- Customer part number
- Project or product name
- Filename of object code
- Date
- Name of operating system that formatted diskette
- Formatted capacity of diskette

On diskettes, the application program must be in Motorola's S-record format (S1 and S9 records), a character-based object file format generated by M6805 cross assemblers and linkers.

NOTE: *Begin the application program at the first user ROM location. Program addresses must correspond exactly to the available on-chip user ROM addresses as shown in the memory map. Write \$00 in all non-user ROM locations or leave all non-user ROM locations blank. See the current MCU ordering form for additional requirements.*

If the memory map has two user ROM areas with the same addresses, then write the two areas in separate files on the diskette. Label the diskette with both filenames.

In addition to the object code, a file containing the source code can be included. Motorola keeps this code confidential and uses it only to expedite ROM pattern generation in case of any difficulty with the object code. Label the diskette with the filename of the source code.

13.4.2 EPROMs

If submitting the application program in an EPROM, clearly label the EPROM with this information:

- Customer name
- Customer part number
- Checksum
- Project or product name
- Date

NOTE: *Begin the application program at the first user ROM location. Program addresses must correspond exactly to the available on-chip user ROM addresses as shown in the memory map. Write \$00 in all non-user ROM locations. See the current MCU ordering form for additional requirements.*

Submit the application program in one EPROM large enough to contain the entire memory map. If the memory map has two user ROM areas with the same addresses, then write the two areas on separate EPROMs. Label the EPROMs with the addresses they contain.

Pack EPROMs securely in a conductive IC carrier for shipment. Do not use Styrofoam^{®1}.

13.5 ROM Program Verification

The primary use for the on-chip ROM is to hold the customer's application program. The customer develops and debugs the application program and then submits the MCU order along with the application program.

Motorola inputs the customer's application program code into a computer program that generates a listing verify file. The listing verify file represents the memory map of the MCU. The listing verify file contains the user ROM code and may also contain non-user ROM code, such as

1. Styrofoam is a registered trademark of The Dow Chemical Company.

self-check code. Motorola sends the customer a computer printout of the listing verify file along with a listing verify form.

To aid the customer in checking the listing verify file, Motorola will program the listing verify file into customer-supplied blank EPROMs or preformatted Macintosh or DOS disks. All original pattern media are filed for contractual purposes and are not returned.

Check the listing verify file thoroughly, then complete and sign the listing verify form and return the listing verify form to Motorola. The signed listing verify form constitutes the contractual agreement for the creation of the custom mask.

13.6 ROM Verification Units (RVUs)

After receiving the signed listing verify form, Motorola manufactures a custom photographic mask. The mask contains the customer's application program and is used to process silicon wafers. The application program cannot be changed after the manufacture of the mask begins. Motorola then produces 10 MCUs, called RVUs, and sends the RVUs to the customer. RVUs are usually packaged in unmarked ceramic and tested to 5 Vdc at room temperature. RVUs are not tested to environmental extremes because their sole purpose is to demonstrate that the customer's user ROM pattern was properly implemented. The 10 RVUs are free of charge with the minimum order quantity but are not production parts. RVUs are not guaranteed by Motorola Quality Assurance.

13.7 MCU Order Numbers

Table 13-1 lists the MC order numbers for the available package types.

Table 13-1. MCU Order Numbers

Package Type	Operating Temperature Ranges	MC Order Number
16-pin plastic dual in-line package (PDIP)	0°C to 70°C	MC68HC05K0P ⁽¹⁾ , DW ⁽²⁾
16-pin plastic dual in-line package (PDIP)	-40°C to +85°C	MC68HC05K0C ⁽³⁾ P, CDW
16-pin small outline integrated circuit (SOIC)	-40°C to +105°C	MC68HC05K0V ⁽⁴⁾ P, VDW
16-pin plastic dual in-line package (PDIP)	0°C to 70°C	MC68HC05K1P, DW
16-pin plastic dual in-line package (PDIP)	-40°C to +85°C	MC68HC05K1CP, CDW
16-pin small outline integrated circuit (SOIC)	-40°C to +105°C	MC68HC05K1VP, VDW

1. P = Plastic dual in-line package (PDIP)
2. DW = Small outline integrated circuit (SOIC)
3. C = Extended temperature range (-40°C to +85°C)
4. V = Automotive temperature range (-40°C to +105°C)

Appendix A. MC68HCL05K0

A.1 Contents

A.2	Introduction	135
A.3	1.8–2.4-Volt DC Electrical Characteristics	136
A.4	2.5–3.6-Volt DC Electrical Characteristics	136
A.5	Low-Power Supply Current.	137
A.6	Low-Power Pulldown Current.	138
A.7	Ordering Information.	139

A.2 Introduction

This appendix introduces the MC68HCL05K0, a low-power version of the MC68HC05K0. All of the information in this manual applies to the MC68HCL05K0 with the exceptions given in this appendix.

A.3 1.8–2.4-Volt DC Electrical Characteristics

Characteristic ⁽¹⁾	Symbol	Min	Typ	Max	Unit
Output high voltage $I_{Load} = -0.1 \text{ mA}$ PA7–PA0, PBB1/OSC3, PB0	V_{OH}	$V_{DD} - 0.3$	—	—	V
Output low voltage $I_{Load} = 0.2 \text{ mA}$ PPA3–PA0, PB1/OSC3, PB0 $I_{Load} = 2.0 \text{ mA}$ PPA7–PA4	V_{OL}	—	—	0.3	V

1. $V_{DD} = 1.8\text{--}2.4 \text{ Vdc}$

A.4 2.5–3.6-Volt DC Electrical Characteristics

Characteristic ⁽¹⁾	Symbol	Min	Typ	Max	Unit
Output high voltage $I_{Load} = -0.2 \text{ mA}$ PA7–PA0, PBB1/OSC3, PB0	V_{OH}	$V_{DD} - 0.3$	—	—	V
Output low voltage $I_{Load} = 0.4 \text{ mA}$ PA3–PA0 $I_{Load} = 5.0 \text{ mA}$ PA7–PA4	V_{OL}	—	—	0.3	V

1. $V_{DD} = 2.5\text{--}3.6 \text{ Vdc}$

A.5 Low-Power Supply Current

Characteristic	Symbol	Min	Typ ⁽¹⁾	Max	Unit
Supply current ($V_{DD} = 4.5\text{--}5.5\text{ Vdc}$, $f_{op} = 2.1\text{ MHz}$)	I_{DD}	—	3.0	4.0	mA
Run ⁽²⁾		—	1.6	2.5	mA
Wait ⁽³⁾		—	0.2	10	μA
Stop ⁽⁴⁾		—	2.0	20	μA
25°C 0°C to 70°C (standard)		—	—	—	—
Supply current ($V_{DD} = 2.5\text{--}3.6\text{ Vdc}$, $f_{op} = 1.0\text{ MHz}$)	I_{DD}	—	1.0	2.0	mA
Run ⁽²⁾		—	0.5	1.0	mA
Wait ⁽³⁾		—	0.1	5.0	μA
Stop ⁽⁴⁾		—	1.0	10.0	μA
25°C 0°C to 70°C (standard)		—	—	—	—
Supply current ($V_{DD} = 2.5\text{--}3.6\text{ Vdc}$, $f_{op} = 500\text{ kHz}$)	I_{DD}	—	0.5	1.0	mA
Run ⁽²⁾		—	250	500	μA
Wait ⁽³⁾		—	0.05	5.0	μA
Stop ⁽⁴⁾		—	1.0	10.0	μA
25°C 0°C to 70°C (standard)		—	—	—	—
Supply current ($V_{DD} = 1.8\text{--}2.4\text{ Vdc}$, $f_{op} = 500\text{ kHz}$)	I_{DD}	—	300	700	μA
Run ⁽²⁾		—	150	400	μA
Wait ⁽³⁾		—	0.05	2.0	μA
Stop ⁽⁴⁾		—	0.5	5.0	μA
25°C 0°C to 70°C (standard)		—	—	—	—

1. Typical values reflect average measurements at midpoint of voltage range at 25°C.
2. Run (operating) I_{DD} measured using external square wave clock source with all inputs 0.2 V from rail. No dc loads. Less than 50 pF on all outputs. $C_L = 20\text{ pF}$ on OSC2. OSC2 capacitance linearly affects run I_{DD} .
3. Wait I_{DD} measured using external square wave clock source with all inputs 0.2 V from rail. No dc loads. Less than 50 pF on all outputs. $C_L = 20\text{ pF}$ on OSC2. All ports configured as inputs. $V_{IL} = 0.2\text{ V}$, $V_{IH} = V_{DD} - 0.2\text{ V}$. OSC2 capacitance linearly affects wait I_{DD} .
4. Stop I_{DD} measured with OSC1 = V_{DD} . All ports configured as inputs. $V_{IL} = 0.2\text{ V}$, $V_{IH} = V_{DD} - 0.2\text{ V}$.

A.6 Low-Power Pulldown Current

Characteristic	Symbol	Min	Typ ⁽¹⁾	Max	Unit
Pulldown current ($V_{DD} = 4.5\text{--}5.5$ Vdc, $f_{op} = 2.1$ MHz) PA7–PA0, PB1/OSC3, PB0 (pulldown device on)	I_{IL}	50	100	200	μA
Pulldown current ($V_{DD} = 2.5\text{--}3.6$ Vdc, $f_{op} = 1.0$ MHz) PA7–PA0, PB1/OSC3, PB0 (pulldown device on)	I_{IL}	8	30	100	μA
Pulldown current ($V_{DD} = 2.5\text{--}3.6$ Vdc, $f_{op} = 500$ kHz) PA7–PA0, PB1/OSC3, PB0 (pulldown device on)	I_{IL}	3	10	50	μA
Pulldown current ($V_{DD} = 1.8\text{--}2.4$ Vdc, $f_{op} = 500$ kHz) PA7–PA0, PB1/OSC3, PB0 (pulldown device on)	I_{IL}	3	10	50	μA

1. Typical values reflect average measurements at midpoint of voltage range at 25°C.

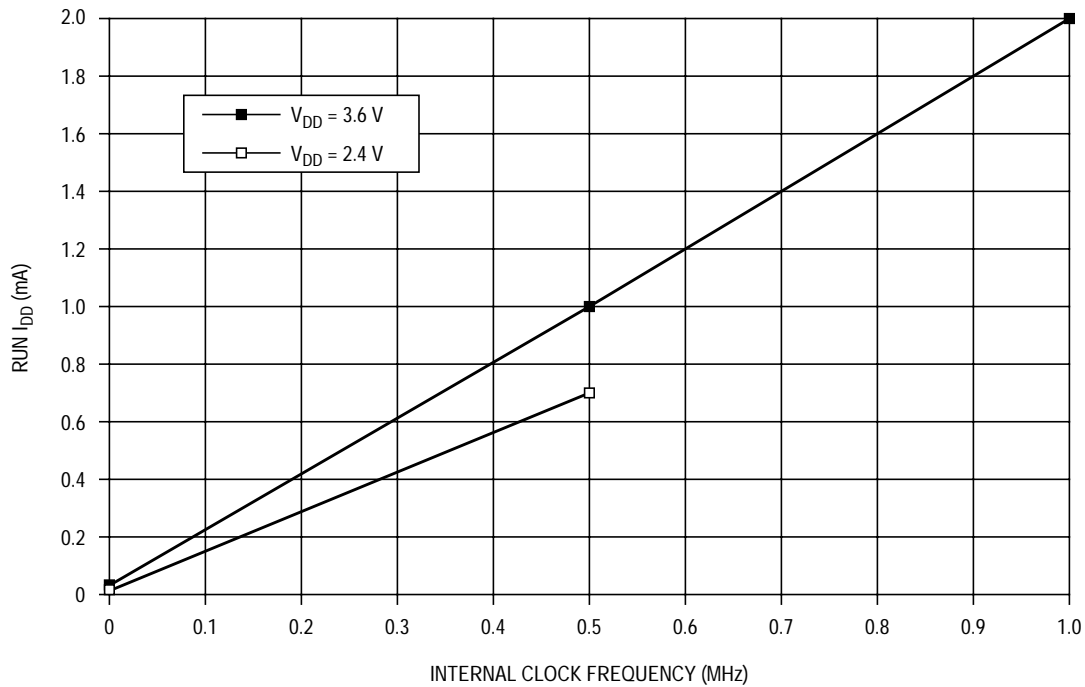


Figure 13-1. Maximum Run Mode I_{DD} versus Frequency

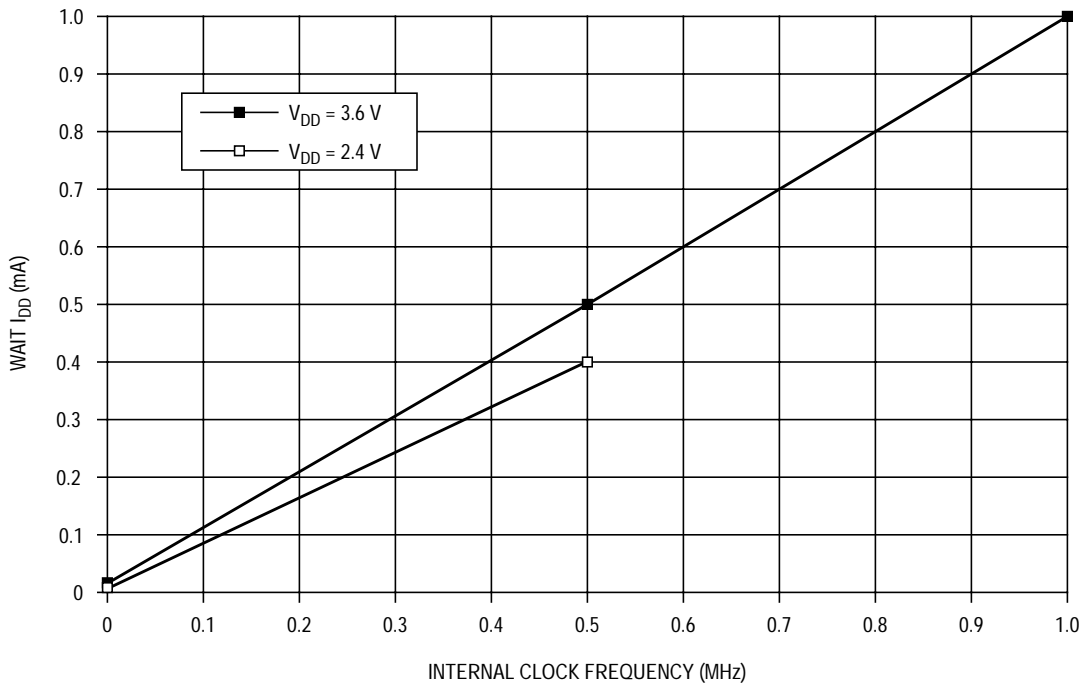


Figure 13-2. Maximum Wait Mode I_{DD} versus Frequency

A.7 Ordering Information

Table A-1 lists order numbers for the available package types.

Table A-1. MC68HCL05K0 Order Numbers

Package Type	Operating Temperature Range	Order Number
16-pin plastic dual in-line package (PDIP)	0°C to 70°C	MC68HCL05K0P ⁽¹⁾
16-pin small outline integrated circuit (SOIC)	0°C to 70°C	MC68HCL05K0DW ⁽²⁾

1. P = Plastic dual in-line package (PDIP)
2. DW = Small outline integrated circuit (SOIC)

Appendix B. MC68HSC05K0

B.1 Contents

B.2	Introduction	141
B.3	High-Speed Supply Current	142
B.4	5.0-Volt Control Timing	143
B.5	3.3-Volt Control Timing	144
B.6	Ordering Information	144

B.2 Introduction

This appendix introduces the MC68HSC05K0, a high-speed version of the MC68HC05K0. All of the information in this manual applies to the MC68HSC05K0 with the exceptions given in this appendix.

B.3 High-Speed Supply Current

Characteristic	Symbol	Min	Typ ⁽¹⁾	Max	Unit
Supply current ($V_{DD} = 4.5\text{--}5.5\text{ Vdc}$, $f_{op} = 4.0\text{ MHz}$)	I_{DD}				
Run ⁽²⁾		—	4.5	6.0	mA
Wait ⁽³⁾		—	2.5	3.25	mA
Stop ⁽⁴⁾					
25°C		—	0.2	10	μA
–40°C to +85°C	—	2.0	20	μA	
Supply current ($V_{DD} = 3.0\text{--}3.6\text{ Vdc}$, $f_{op} = 2.1\text{ MHz}$)	I_{DD}				
Run		—	2.0	4.0	mA
Wait		—	1.0	2.0	mA
Stop					
25°C		—	0.1	5.0	μA
–40°C to +85°C	—	1.0	10.0	μA	

1. Typical values at midpoint of voltage range, 25°C only.
2. Run (operating) I_{DD} measured using external square wave clock source with all inputs 0.2 V from rail. No dc loads. Less than 50 pF on all outputs. $C_L = 20\text{ pF}$ on OSC2. OSC2 capacitance linearly affects run I_{DD} .
3. Wait I_{DD} measured using external square wave clock source with all inputs 0.2 V from rail. No dc loads. Less than 50 pF on all outputs. $C_L = 20\text{ pF}$ on OSC2. All ports configured as inputs. $V_{IL} = 0.2\text{ V}$, $V_{IH} = V_{DD} - 0.2\text{ V}$. OSC2 capacitance linearly affects wait I_{DD} .
4. Stop I_{DD} measured with OSC1 = V_{DD} . All ports configured as inputs. $V_{IL} = 0.2\text{ V}$, $V_{IH} = V_{DD} - 0.2\text{ V}$.

B.4 5.0-Volt Control Timing

Characteristic ⁽¹⁾	Symbol	Min	Max	Unit
Oscillator frequency 3-pin RC oscillator 2-pin RC oscillator Crystal oscillator ⁽²⁾ External clock	f_{osc}	0.02 0.2 0.2 dc	2.0 4.0 8.0 8.0	MHz
Internal operating frequency ($f_{osc} \div 2$) 3-pin RC oscillator 2-pin RC oscillator Crystal oscillator ⁽²⁾ External clock	f_{op}	— — — dc	1.0 2.0 4.0 4.0	MHz
Internal clock cycle time ($1 \div f_{op}$) 3-pin RC oscillator 2-pin RC oscillator Crystal oscillator ⁽²⁾ External clock	t_{cyc}	1.0 500 250 250	— — — —	μ s ns ns ns
RC oscillator stabilization time	t_{RCON}	—	500	μ s
Crystal oscillator startup time	t_{OXOV}	—	50	ms
STOP recovery time	t_{ILCH}	—	50	ms
\overline{IRQ} pulse width low (edge-triggered)	t_{LIH}	125	—	ns
PA3–PA0 interrupt pulse width high (edge-triggered)	t_{IHIL}	125	—	ns
OSC1 pulse width	t_{OH} or t_{OL}	45	—	ns

1. $V_{DD} = 5.0 \text{ Vdc} \pm 10\%$; $V_{SS} = 0 \text{ Vdc}$; $T_A = T_L$ to T_H
2. Use only AT-cut crystals.

B.5 3.3-Volt Control Timing

Characteristic ⁽¹⁾	Symbol	Min	Max	Unit
Oscillator frequency 3-pin RC oscillator 2-pin RC oscillator Crystal oscillator ⁽²⁾ External clock	f_{osc}	0.02 0.2 0.2 dc	1.0 4.0 4.0 4.0	MHz
Internal operating frequency ($f_{osc} \div 2$) 3-pin RC oscillator 2-pin RC oscillator Crystal oscillator ⁽²⁾ External clock	f_{op}	— — — dc	1.0 2.0 2.0 2.0	MHz
Internal clock cycle time ($1 \div f_{op}$) 3-pin RC oscillator 2-pin RC oscillator Crystal oscillator ⁽²⁾ External clock	t_{cyc}	1.0 500 500 500	— — — —	μ s ns ns ns
RC oscillator stabilization time	t_{RCON}	—	1.0	ms
Crystal oscillator startup time	t_{OXOV}	—	100	ms
STOP recovery time	t_{ILCH}	—	100	ms
\overline{IRQ} pulse width low (edge-triggered)	t_{ILIH}	250	—	ns
PA3–PA0 interrupt pulse width high (edge-triggered)	t_{IHIL}	250	—	ns
OSC1 pulse width	t_{OH} or t_{OL}	100	—	ns

- $V_{DD} = 3.3 \text{ Vdc} \pm 10\%$; $V_{SS} = 0 \text{ Vdc}$; $T_A = T_L$ to T_H .
- Use only AT-cut crystals.

B.6 Ordering Information

Table B-1 lists order numbers for the available package types.

Table B-1. MC68HSC05K0 Order Numbers

Package Type	Operating Temperature Range	Order Number
16-pin plastic dual in-line package (PDIP)	0°C to +70°C	MC68HSC05K0P ⁽¹⁾
16-pin small outline integrated circuit (SOIC)	0°C to +70°C	MC68HSC05K0DW ⁽²⁾

- P = Plastic dual in-line package (PDIP)
- DW = Small outline integrated circuit (SOIC)

Index

A	
accumulator (A)	94, 95, 98
addressing modes	94
arithmetic logic unit (ALU)	41
B	
block diagram	20
C	
C bit	100
central processor unit (CPU)	35
condition code register (CCR)	100
COP watchdog	82
COP enabling/disabling recommendations	83
mask options	19
CPU	
accumulator (A)	37
condition code register (CCR)	40
index register (X)	37
instruction set summary	104
instruction types	97
opcode map	110
program counter (PC)	39
programming model	36
registers	36
stack pointer (SP)	38
CPU registers	95, 98, 103
accumulator (A)	94, 95, 98
condition code register (CCR)	100
index register (X)	94, 95, 96, 98
program counter (PC)	97, 100

	D	
data-retention mode		62
	E	
electrical specifications		111
control timing		120
electrical characteristics		115
oscillator characteristics		124
power considerations		114
EPROM (personality EPROM (PEPROM))		
bit selection		88
block diagram		86
PEPROM bit select register (PEBSR)		87
PEPROM reading		92
PEPROM status and control register (PESCR)		89
programming		90
programming circuit		91
EPROM (personality)/OTEPROM		34
programming voltage		27
	F	
features		18
	H	
halt mode		62
high-speed MC68HSC05K0		
control timing		143
ordering information		144
	I	
I/O (input/output)		30
port A		66
port B		70
I/O bits		
C bit		100
index register (X)		94, 95, 96, 98

instruction set	93
addressing modes	94
instruction set summary	104
instruction types	97
opcode map	110
interrupts	43
external	27
external interrupt logic	46
external interrupt pin triggering mask options	19
interrupt flowchart	52
interrupt processing	50
interrupt stacking order	50
interrupt types	44
IRQ status and control register (ISCR)	48
IRQ/V _{PP} pin	45
PA3–PA0 pins	46
port A external interrupt function mask options	19
port A external interrupts	69
reset/interrupt vector addresses	51
software interrupt	44
timer interrupts	49
IRQ/V _{PP} pin	44
functions	27
J	
junction temperature	114
L	
low-power MC68HCL05K0	
DC electrical characteristics	136
ordering information	139
low-power modes	59
data retention	62
flowchart	63
halt	62
stop	60
wait	61
low-voltage reset	
mask options	19

M

mask option	19
mechanical specifications	127
PDIP	128
SOIC	128
memory	29
I/O (input/output)	30
personality EPROM/OTPROM	34
RAM	30
ROM	34
multifunction timer	77

O

opcode map	110
ordering information	129
MCU order numbers	134
ordering information (high-speed part)	
MCU order numbers	144
ordering information (low-power part)	
MCU order numbers	139
OSC1	22
OSC2	22
oscillator	
ceramic	24
crystal	23
external clock signal	27
frequency	22
mask options	19
oscillator characteristics	124
resistor-capacitor (RC) combination	25

P

PA7–PA0	
pins	27
parallel input/output (I/O)	65
PB1/OSC3	22
PB1/OSC3 and PB0 pins	28
personality EPROM	85
pin assignments	21

port A66

- data direction register A (DDRA)67
- external interrupts27
- I/O logic circuit69
- pin functions70
- pins27
- port A data register (PORTA)66
- port A external interrupts69
- pulldown devices27
- pulldown register A (PDRA)68

port B70

- data direction register B (DDRB)72
- I/O logic circuit74
- PB1/OSC3 pin functions75
- pin functions75
- pins28
- port B data register (PORTB)70
- pulldown devices28
- pulldown register B (PDRB)73

power dissipation114

program counter (PC)97, 100

pulldown devices

- mask options19
- pulldown register A (PDRA)68
- pulldown register B (PDRB)73

R

RAM30

registers

- CPU36

reset

- interrupt flowchart52
- pin27

resets53

- computer operating properly (COP)56
- effect on COP watchdog58
- effect on CPU57
- effect on I/O port registers58

effect on timer	58
illegal address	56
low-voltage	57
power-on	54
reset states	57
reset/interrupt vector addresses	51
sources diagram	55
types	54
ROM	34
S	
STOP instruction	
mask options	19
stop mode	60
T	
thermal resistance	114
timer	
block diagram	78
COP enabling/disabling recommendations	83
COP watchdog	82
timer counter register (TCNTR)	81
timer status and control register (TSCR)	78
V	
V_{DD} and V_{SS}	22
W	
wait mode	61

**MC68HC05K0/K1 Rev. 2 TECHNICAL DATA
 CUSTOMER RESPONSE SURVEY**

To make M68HC05 documentation as clear, complete, and easy to use as possible, we need your comments. Please complete this form and return it by mail, or FAX it to 512-891-3236.

1. How do you rate the quality of this document?

	High		Low								
Organization	<input type="checkbox"/>	<input type="checkbox"/>	<input type="checkbox"/>	<input type="checkbox"/>	<input type="checkbox"/>	Tables	<input type="checkbox"/>	<input type="checkbox"/>	<input type="checkbox"/>	<input type="checkbox"/>	<input type="checkbox"/>
Readability	<input type="checkbox"/>	<input type="checkbox"/>	<input type="checkbox"/>	<input type="checkbox"/>	<input type="checkbox"/>	Table of contents	<input type="checkbox"/>	<input type="checkbox"/>	<input type="checkbox"/>	<input type="checkbox"/>	<input type="checkbox"/>
Accuracy	<input type="checkbox"/>	<input type="checkbox"/>	<input type="checkbox"/>	<input type="checkbox"/>	<input type="checkbox"/>	Page size/binding	<input type="checkbox"/>	<input type="checkbox"/>	<input type="checkbox"/>	<input type="checkbox"/>	<input type="checkbox"/>
Figures	<input type="checkbox"/>	<input type="checkbox"/>	<input type="checkbox"/>	<input type="checkbox"/>	<input type="checkbox"/>	Overall impression	<input type="checkbox"/>	<input type="checkbox"/>	<input type="checkbox"/>	<input type="checkbox"/>	<input type="checkbox"/>

Comments: _____

2. What is your intended use for this document?

Device selection for new application Other Please specify: _____
 System design _____
 Training _____

3. Does this document help you perform your job?

Yes No
 Comments: _____

4. Are you able to find the information you need easily?

Yes No
 Comments: _____

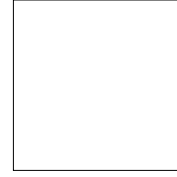
5. Does each section of the document provide you with enough information?

	Yes		No				Yes		No		
SEC. 1: GEN. DESCRIPTION	<input type="checkbox"/>	<input type="checkbox"/>	<input type="checkbox"/>	<input type="checkbox"/>	<input type="checkbox"/>	SEC. 10: INSTR. SET	<input type="checkbox"/>	<input type="checkbox"/>	<input type="checkbox"/>	<input type="checkbox"/>	<input type="checkbox"/>
SEC. 2: MEMORY	<input type="checkbox"/>	<input type="checkbox"/>	<input type="checkbox"/>	<input type="checkbox"/>	<input type="checkbox"/>	SEC. 11: ELECTRICAL	<input type="checkbox"/>	<input type="checkbox"/>	<input type="checkbox"/>	<input type="checkbox"/>	<input type="checkbox"/>
SEC. 3: CPU	<input type="checkbox"/>	<input type="checkbox"/>	<input type="checkbox"/>	<input type="checkbox"/>	<input type="checkbox"/>	SEC. 12: MECHANICAL	<input type="checkbox"/>	<input type="checkbox"/>	<input type="checkbox"/>	<input type="checkbox"/>	<input type="checkbox"/>
SEC. 4: INTERRUPTS	<input type="checkbox"/>	<input type="checkbox"/>	<input type="checkbox"/>	<input type="checkbox"/>	<input type="checkbox"/>	SEC. 13: ORDERING	<input type="checkbox"/>	<input type="checkbox"/>	<input type="checkbox"/>	<input type="checkbox"/>	<input type="checkbox"/>
SEC. 5: RESETS	<input type="checkbox"/>	<input type="checkbox"/>	<input type="checkbox"/>	<input type="checkbox"/>	<input type="checkbox"/>	APP. A MC68HCL05K0	<input type="checkbox"/>	<input type="checkbox"/>	<input type="checkbox"/>	<input type="checkbox"/>	<input type="checkbox"/>
SEC. 6: LOW-POWER MODES	<input type="checkbox"/>	<input type="checkbox"/>	<input type="checkbox"/>	<input type="checkbox"/>	<input type="checkbox"/>	APP. B MC68HSC05K0	<input type="checkbox"/>	<input type="checkbox"/>	<input type="checkbox"/>	<input type="checkbox"/>	<input type="checkbox"/>
SEC. 7: PARALLEL I/O	<input type="checkbox"/>	<input type="checkbox"/>	<input type="checkbox"/>	<input type="checkbox"/>	<input type="checkbox"/>	INDEX	<input type="checkbox"/>	<input type="checkbox"/>	<input type="checkbox"/>	<input type="checkbox"/>	<input type="checkbox"/>
SEC. 8: TIMER	<input type="checkbox"/>	<input type="checkbox"/>	<input type="checkbox"/>	<input type="checkbox"/>	<input type="checkbox"/>						
SEC. 9: EPROM	<input type="checkbox"/>	<input type="checkbox"/>	<input type="checkbox"/>	<input type="checkbox"/>	<input type="checkbox"/>						

6. What would you do to improve this document? _____

Freescale Semiconductor, Inc.

Freescale Semiconductor, Inc.



**Motorola
6501 William Cannon Drive West
Mail Stop OE17
Austin, Texas 78735-8598**

Attn: MMD Publications Department



Second: fold back along this line

First: cut along this line to remove

Please supply the following information (optional).

Name: _____

Company Name: _____

Title: _____

Address: _____

City: _____ State: _____ Zip: _____

Phone Number: _____

**For More Information On This Product,
Go to: www.freescale.com**

