

# ANALOG Switch

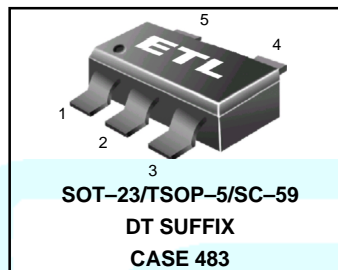
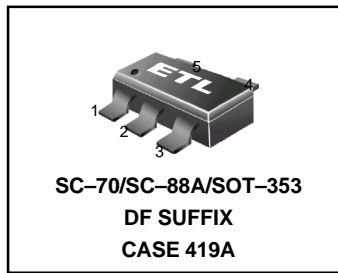
## MC74VHC1GT66

The MC74VHC1GT66 is an advanced high speed CMOS bilateral analog switch fabricated with silicon gate CMOS technology. It achieves high speed propagation delays and low ON resistances while maintaining low power dissipation. This bilateral switch controls analog and digital voltages that may vary across the full power-supply range (from V<sub>CC</sub> to GND).

The MC74VHC1GT66 is compatible in function to a single gate of the very High Speed CMOS MC74VHCT4066. The device has been designed so that the ON resistances (RON) are much lower and more linear over input voltage.

The ON/OFF Control input is compatible with TTL-type input thresholds allowing the device to be used as a logic-level translator from 3.0 V CMOS logic to 5.0 V CMOS logic or from 1.8 V CMOS logic to 3.0 V CMOS logic while operating at the high-voltage power supply. The input protection circuitry on this device allows overvoltage tolerance on the input, which provides protection when voltages of up to 7 V are applied, regardless of the supply voltage. This allows the MC74VHC1GT66 to be used to interface 5 V circuits to 3 V circuits.

- High Speed:  $t_{PD} = 20 \text{ ns}$  (Typ) at  $V_{CC} = 5 \text{ V}$
- Low Power Dissipation:  $I_{CC} = 2 \mu\text{A}$  (Max) at  $T_A = 25^\circ\text{C}$
- Diode Protection Provided on Inputs and Outputs
- Improved Linearity and Lower ON Resistance over Input Voltage
- On/Off Control Input Has OVT



PIN ASSIGNMENT	
1	IN/OUT X <sub>A</sub>
2	OUT/IN Y <sub>A</sub>
3	GND
4	ON/OFF CONTROL
5	V <sub>CC</sub>

### MARKING DIAGRAMS

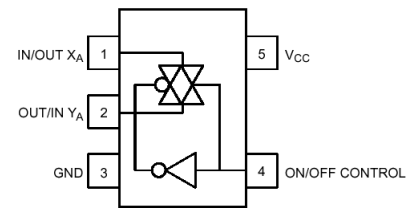
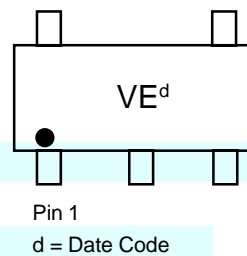
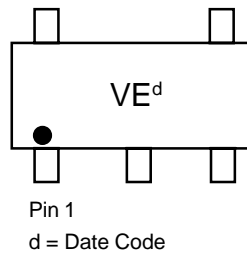


Figure 1. Pinout (Top View)

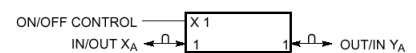


Figure 2. Logic Symbol

### FUNCTION TABLE

On / Off Control Input	State Analog Switch
L	Off
H	On

### ORDERING INFORMATION

See detailed ordering and shipping information in the package dimensions section on page 6 of this data sheet.

**MAXIMUM RATINGS**

Symbol	Parameter	Value	Unit	
V <sub>CC</sub>	DC Supply Voltage	- 0.5 to + 7.0	V	
V <sub>IN</sub>	DC Input Voltage	- 0.5 to +7.0	V	
V <sub>IS</sub>	Analog Output Voltage	-0.5 to +7.0	V	
I <sub>IK</sub>	Input Diode Current	-20	mA	
I <sub>CC</sub>	DC Supply Current, V <sub>CC</sub> and GND	+25	mA	
P <sub>D</sub>	Power dissipation in still air	SC-88A (Note 2.)	200	mW
		TSOP5 (Note 2.)	450	
T <sub>L</sub>	Lead Temperature, 1 mm from Case for 10 s	260	°C	
T <sub>stg</sub>	Storage temperature	-65 to +150	°C	
V <sub>ESD</sub>	ESD Withstand Voltage	Human Body Model (Note 3)	>2000	V
		Machine Model (Note 4)	> 200	
		Charged Device Model (Note 5)	N/A	
I <sub>LATCH-UP</sub>	Latch-Up Performance Above V <sub>CC</sub> and Below GND at 125°C (Note 6)	± 500	mA	

1. Maximum Ratings are those values beyond which damage to the device may occur. Exposure to these conditions or conditions beyond those indicated may adversely affect device reliability. Functional operation under absolute-maximum-rated conditions is not implied. Functional operation should be restricted to the Recommended Operating Conditions.
2. Derating – SC-88A Package: -3 mW/°C from 65°C to 125°C  
 – TSOP5 Package: -6 mW/°C from 65°C to 125°C
3. Tested to EIA/JESD22-A114-A
4. Tested to EIA/JESD22-A115-A
5. Tested to JESD22-C101-A
6. Tested to EIA/JESD78

**RECOMMENDED OPERATING CONDITIONS**

Symbol	Parameter	Min	Max	Unit	
V <sub>CC</sub>	DC Supply Voltage	2.0	5.5	V	
V <sub>IN</sub>	DC Input Voltage	GND	5.5	V	
V <sub>IS</sub>	Analog Input Voltage	GND	V <sub>CC</sub>	V	
T <sub>A</sub>	Operating Temperature Range	- 55	+ 125	°C	
t <sub>r</sub> , t <sub>f</sub>	Input Rise and Fall Time	V <sub>CC</sub> = 3.3 ± 0.3 V	0	100	ns/V
		V <sub>CC</sub> = 5.0 ± 0.5 V	0	20	

The θ<sub>JA</sub> of the package is equal to 1/Derating. Higher junction temperatures may affect the expected lifetime of the device per the table and figure below.

**DEVICE JUNCTION TEMPERATURE VERSUS TIME TO 0.1% BOND FAILURES**

Junction Temperature °C	Time, Hours	Time, Years
80	1,032,200	117.8
90	419,300	47.9
100	178,700	20.4
110	79,600	9.4
120	37,000	4.2
130	17,800	2.0
140	8,900	1.0

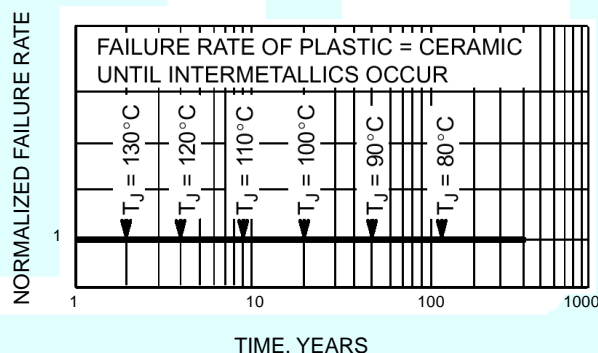


Figure 3. Failure Rate vs. Time Junction Temperature

**DC ELECTRICAL CHARACTERISTICS**

Symbol	Parameter	Test Conditions	V <sub>CC</sub> (V)	T <sub>A</sub> = 25°C		T <sub>A</sub> ≤ 85°C		T <sub>A</sub> ≤ 125°C		Unit
				Min	Max	Min	Max	Min	Max	
V <sub>IH</sub>	Minimum High-Level Input Voltage On/Off Control Input	R <sub>ON</sub> =Per Spec	3.0	1.2		1.2		1.2		V
			4.5	2.0		2.0		2.0		
			5.5	2.0		2.0		2.0		
V <sub>IL</sub>	Maximum Low-Level Input Voltage	R <sub>ON</sub> =Per Spec	3.0		0.53		0.53		0.53	V
			4.5		0.8		0.8		0.8	
			5.5		0.8		0.8		0.8	
I <sub>IN</sub>	Maximum Input Leakage Current On/Off Control Input	V <sub>IN</sub> =X V <sub>CC</sub> or GND	0 to 5.5		±0.1		±1.0		±1.0	μA
I <sub>CC</sub>	Maximum Quiescent Supply Current	V <sub>IN</sub> = V <sub>CC</sub> or GND	5.5		2.0		20		40	μA
I <sub>CC(T)</sub>	Quiescent Supply Current	On/Off Control at 3.4 V	5.5		1.35		1.50		1.65	mA
R <sub>ON</sub>	Maximum "ON" Resistance	V <sub>IN</sub> = V <sub>IH</sub> V <sub>IS</sub> = V <sub>CC</sub> or GND  I <sub>IS</sub>   ≤ 10 mA (Figure 4.)	3.0		60		70		100	Ω
			4.5		45		50		60	
			5.5		40		45		55	
I <sub>OFF</sub>	Maximum Off-Channel Leakage Current	V <sub>IN</sub> = V <sub>IL</sub> V <sub>IS</sub> = V <sub>CC</sub> or GND Switch Off (Figure 5.)	5.5		0.1		0.5		1.0	mA

**AC ELECTRICAL CHARACTERISTICS** C<sub>load</sub> = 50 pF, Input t<sub>r</sub>/t<sub>f</sub> = 3.0 ns

Symbol	Parameter	Test Conditions	V <sub>CC</sub> (V)	T <sub>A</sub> = 25°C			T <sub>A</sub> ≤ 85°C		-55°C ≤ T <sub>A</sub> ≤ 125°C		Unit
				Min	Typ	Max	Min	Max	Min	Max	
t <sub>PLH</sub> , t <sub>PHL</sub>	Maximum Propagation Delay, Input X to Y	Y <sub>A</sub> = Open (Figure 14.)	2.0		1	5		6		7	ns
			3.0		0	2		3		4	
			4.5		0	1		1		2	
			5.5		0	1		1		1	
t <sub>PLZ</sub> , t <sub>PHZ</sub>	Maximum Propagation Delay, ON/OFF Control to Analog Output	R <sub>L</sub> = 1000 Ω (Figure 15.)	2.0		32	40		45		50	ns
			3.0		28	35		40		45	
			4.5		24	30		35		40	
			5.5		20	25		30		35	
t <sub>PZL</sub> , t <sub>PZH</sub>	Maximum Propagation Delay, ON/OFF Control to Analog Output	R <sub>L</sub> = 1000 Ω (Figure 15.)	2.0		32	40		45		50	ns
			3.0		28	35		40		45	
			4.5		24	30		35		40	
			5.5		20	25		30		35	
C <sub>IN</sub>	Maximum Input Capacitance	ON/OFF Control Input	0.0		3	10		10		10	pF
		Control Input = GND	5.0		4	10		10		10	
		Analog I/O Feedthrough			4	10		10		10	
			<b>Typical @ 25°C, V<sub>CC</sub> = 5.0 V</b>								
C <sub>PD</sub>	Power Dissipation Capacitance (Note 6)		18							pF	

7. C<sub>PD</sub> is defined as the value of the internal equivalent capacitance which is calculated from the operating current consumption without load. Average operating current can be obtained by the equation: I<sub>CC(OPR)</sub> = C<sub>PD</sub> • V<sub>CC</sub> • f<sub>in</sub> + I<sub>CC</sub>. C<sub>PD</sub> is used to determine the no-load dynamic power consumption; P<sub>D</sub> = C<sub>PD</sub> • V<sub>CC</sub><sup>2</sup> • f<sub>in</sub> + I<sub>CC</sub> • V<sub>CC</sub>.

## MC74VHC1GT66

### ADDITIONAL APPLICATION CHARACTERISTICS (Voltages Referenced to GND Unless Noted)

Symbol	Parameter	Test Conditions	V <sub>cc</sub>	Limit 25°C	Unit
BW	Maximum On-Channel Bandwidth or Minimum Frequency Response (Figure 10.)	f <sub>in</sub> = 1 MHz Sine Wave	3.0	150	MHz
		Adjust f <sub>in</sub> voltage to obtain 0 dBm at V <sub>OS</sub>	4.5	175	
		Increase f <sub>in</sub> = frequency until dB meter reads -3 dB R <sub>L</sub> = 50 Ω, C <sub>L</sub> = 10 pF	5.5	180	
ISO <sub>off</sub>	Off-Channel Feedthrough Isolation (Figure 11.)	f <sub>in</sub> = Sine Wave	3.0	-80	dB
		Adjust f <sub>in</sub> voltage to obtain 0 dBm at V <sub>IS</sub>	4.5	-80	
		f <sub>in</sub> = 10 kHz, R <sub>L</sub> = 600 Ω, C <sub>L</sub> = 50 pF	5.5	-80	
NOISE <sub>feed</sub>	Feedthrough Noise Control to Switch (Figure 12.)	V <sub>in</sub> ≤ 1 MHz Square Wave (t <sub>r</sub> = t <sub>f</sub> = 2ns)	3.0	45	mVPP
		Adjust R <sub>L</sub> at setup so that I <sub>s</sub> = 0 A	4.5	60	
		R <sub>L</sub> = 600 Ω, C <sub>L</sub> = 50 pF	5.5	130	
THD	Total Harmonic Distortion (Figure 13.)	f <sub>in</sub> = 1 kHz, R <sub>L</sub> = 10 k Ω, C <sub>L</sub> = 50 pF			%
		THD = THD Measured - THD Source			
		V <sub>IS</sub> = 3.0 V PP sine wave	3.3	0.30	
		V <sub>IS</sub> = 5.0 V PP sine wave	5.5	0.15	

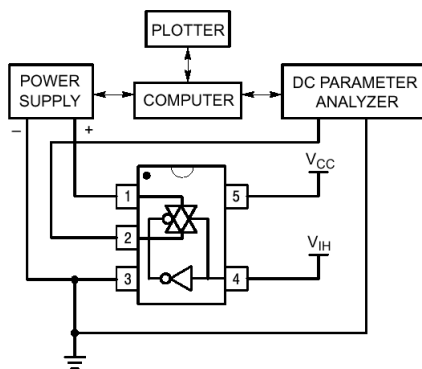


Figure 4. On Resistance Test Set-Up

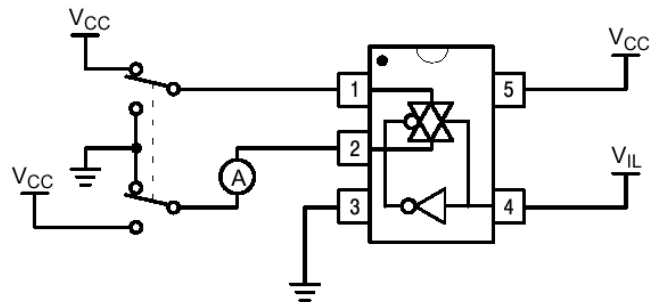


Figure 5. Maximum Off-Channel Leakage Current Test Set-Up

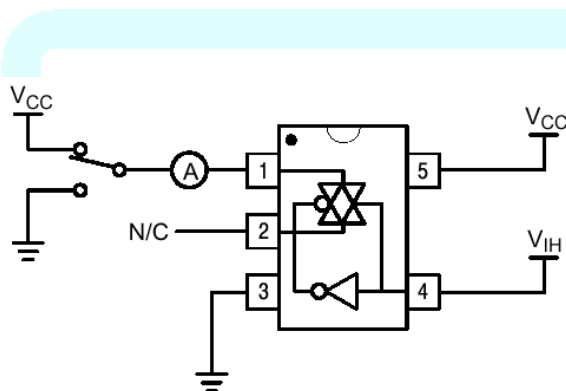


Figure 6. Maximum On-Channel Leakage Current Test Set-Up

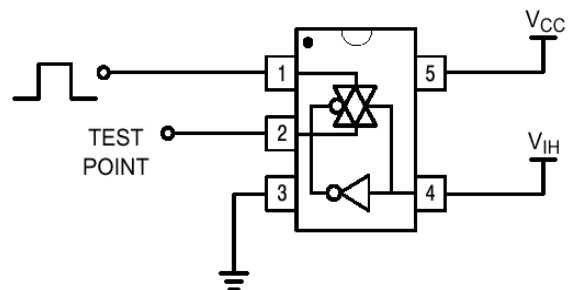
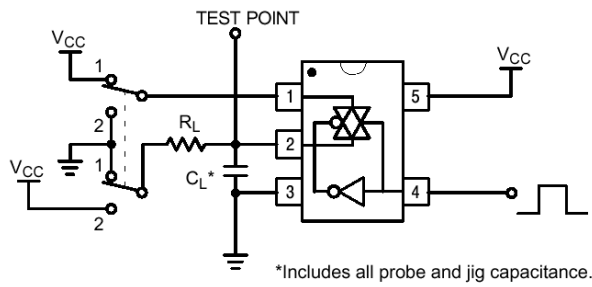


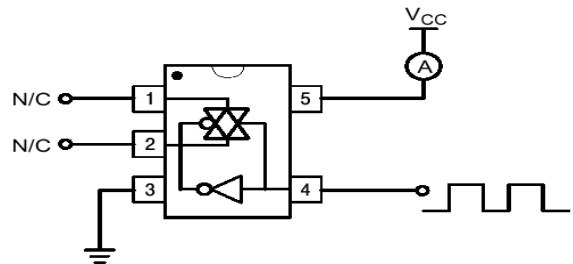
Figure 7. Propagation Delay Test Set-Up

## MC74VHC1GT66

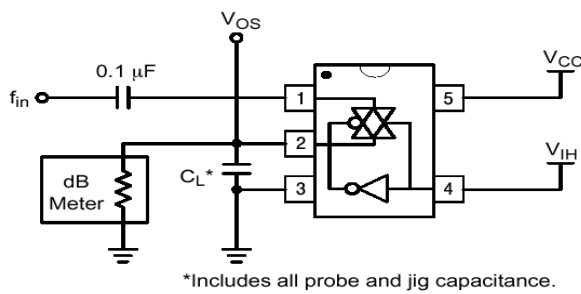
Switch to Position 1 when testing  $t_{PLZ}$  and  $t_{PZL}$   
 Switch to Position 2 when testing  $t_{PHZ}$  and  $t_{PZH}$



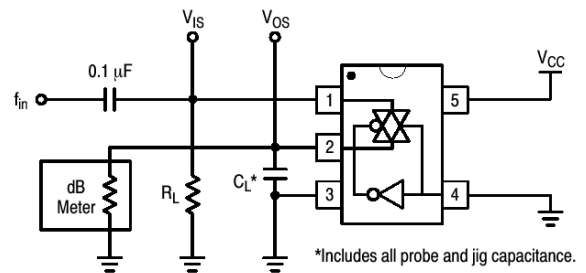
**Figure 8. Propagation Delay Output Enable/Disable Test Set-Up**



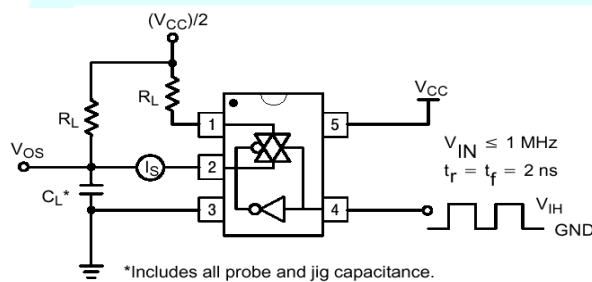
**Figure 9. Power Dissipation Capacitance Test Set-Up**



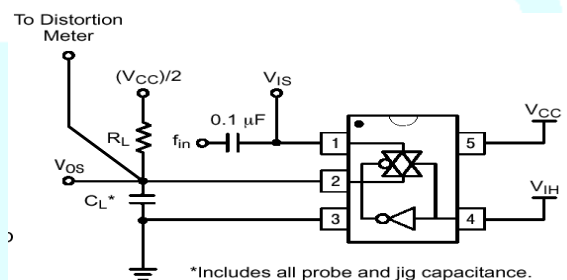
**Figure 10. Maximum On-Channel Bandwidth Test Set-Up**



**Figure 11. Off-Channel Feedthrough Isolation Test Set-Up**

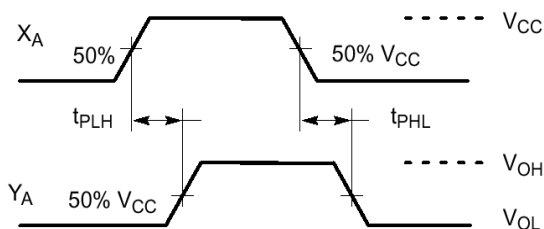


**Figure 12. Feedthrough Noise, ON/OFF Control to Analog Out, Test Set-Up**

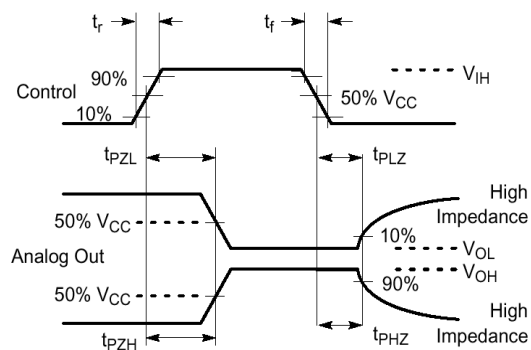


**Figure 13. Total Harmonic Distortion Test Set-Up**

### MC74VHC1GT66



**Figure 14. Propagation Delay, Analog In to Analog Out Waveforms**



**Figure 15. Propagation Delay, ON/OFF Control**

#### DEVICE ORDERING INFORMATION

Device Order Number	Device Nomenclature						Package Type (Name/SOT#/Common Name)	Tape and Reel Size
	Circuit Indicator	Temp Range Identifier	Technology	Device Function	Package Suffix	Tape & Reel Suffix		
MC74VHC1GT66DFT1	MC	74	VHC1G	T66	DF	T1	SC-70/SC-88A/ SOT-353	178 mm (7 in) 3000 Unit
MC74VHC1GT66DFT2	MC	74	VHC1G	T66	DF	T2	SC-70/SC-88A/ SOT-353	178 mm (7 in) 3000 Unit
MC74VHC1GT66DFT4	MC	74	VHC1G	T66	DF	T4	SC-70/SC-88A/ SOT-353	330 mm (13 in) 10,000 Unit
MC74VHC1GT66DTT1	MC	74	VHC1G	T66	DT	T1	SOT-23/TSOPS/ SC-59	178 mm (7 in) 3000 Unit
MC74VHC1GT66DTT3	MC	74	VHC1G	T66	DT	T3	SOT-23/TSOPS/ SC-59	330 mm (13 in) 10,000 Unit