



# Product Preview

## Electronic Ignition Control Circuit

The MCCF79076, in conjunction with an appropriate Motorola Power Darlington Transistor, provides an economical solution for automotive ignition applications. The MCCF79076 offers optimum performance by providing closed loop operation of the Power Darlington in controlling the ignition coil current.

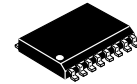
The MCCF79076 incorporates Flip-Chip Technology which involves the formation of solder bumps, rather than traditional wire bonds, to establish mechanical and electrical contact to the semiconductor chip. This process affords a unique device having improved reliability at elevated operating temperatures.

- Solder Bumped for Flip-Chip Assembly
- Ignition Coil Voltage Internally Limited to 375 V
- Coil Current Limiting to 7.5 A
- Output On-Time (Dwell) Control
- Dwell Feedback Control to Sense Coil Variation
- Hall Sensor Input
- $-30^{\circ}\text{C} \leq T_A \leq +140^{\circ}\text{C}$  Ambient Operating Temperature

# MC79076 MCCF79076

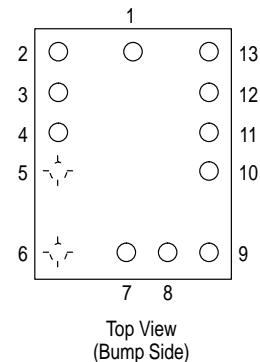
## ELECTRONIC IGNITION CONTROL CIRCUIT

### SEMICONDUCTOR TECHNICAL DATA

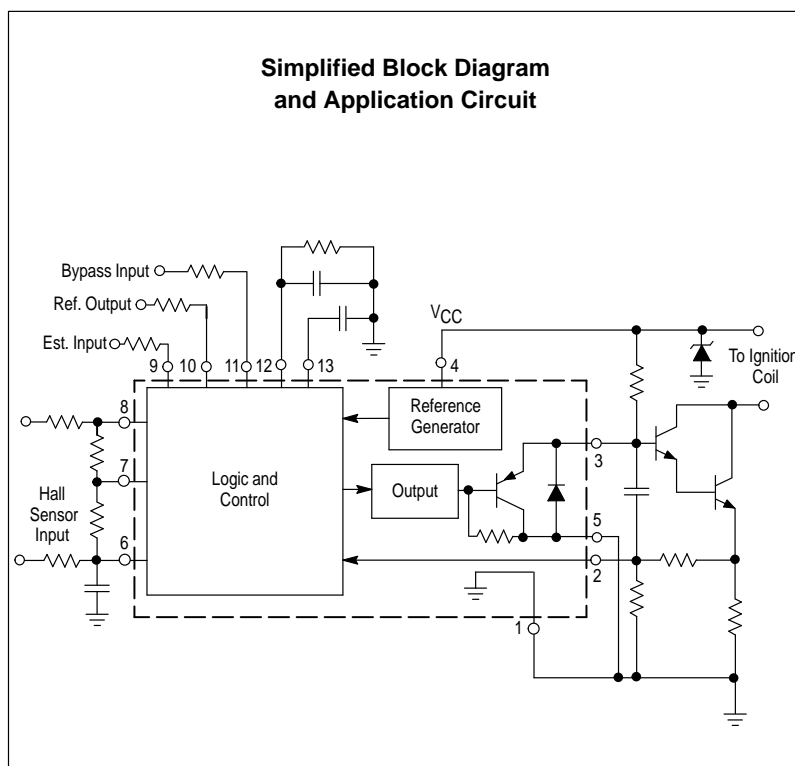


**DW SUFFIX**  
PLASTIC PACKAGE  
CASE 751G  
(SO-16L)

### FLIP-CHIP CONFIGURATION



### Simplified Block Diagram and Application Circuit



### BUMP CONNECTIONS

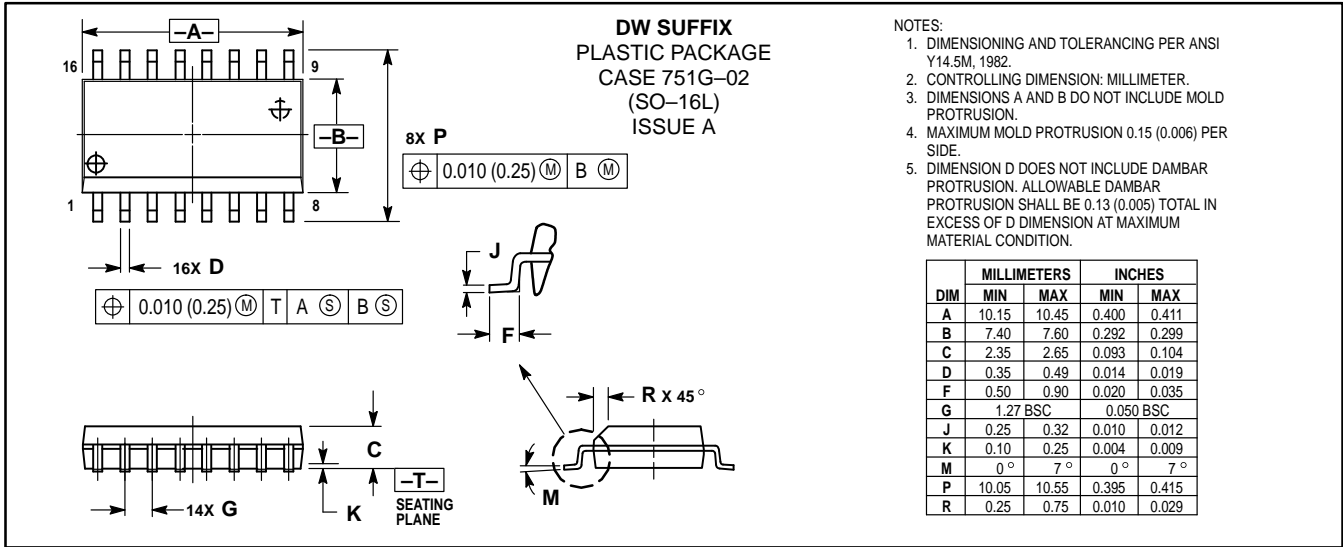
1. High Ground
2. Output Current Limit
3. Dwell Output
4. Supply
5. Low Ground
6. Reference Dwell Input
7. Advance Input
8. Bias Voltage
9. Est Input
10. Reference Output
11. Bypass Input
12. 900 RPM Detector
13. Dwell Control

### ORDERING INFORMATION

Device	Operating Temperature Range	Package
MCCF79076	$T_A = -30^{\circ}$ to $+125^{\circ}\text{C}$	Flip-Chip
MC79076DW		SO-16L

# MC79076 MCCF79076

## OUTLINE DIMENSIONS



Motorola reserves the right to make changes without further notice to any products herein. Motorola makes no warranty, representation or guarantee regarding the suitability of its products for any particular purpose, nor does Motorola assume any liability arising out of the application or use of any product or circuit, and specifically disclaims any and all liability, including without limitation consequential or incidental damages. "Typical" parameters which may be provided in Motorola data sheets and/or specifications can and do vary in different applications and actual performance may vary over time. All operating parameters, including "Typicals" must be validated for each customer application by customer's technical experts. Motorola does not convey any license under its patent rights nor the rights of others. Motorola products are not designed, intended, or authorized for use as components in systems intended for surgical implant into the body, or other applications intended to support or sustain life, or for any other application in which the failure of the Motorola product could create a situation where personal injury or death may occur. Should Buyer purchase or use Motorola products for any such unintended or unauthorized application, Buyer shall indemnify and hold Motorola and its officers, employees, subsidiaries, affiliates, and distributors harmless against all claims, costs, damages, and expenses, and reasonable attorney fees arising out of, directly or indirectly, any claim of personal injury or death associated with such unintended or unauthorized use, even if such claim alleges that Motorola was negligent regarding the design or manufacture of the part. Motorola and registered trademarks of Motorola, Inc. Motorola, Inc. is an Equal Opportunity/Affirmative Action Employer.

**How to reach us:**

**USA/EUROPE/Locations Not Listed:** Motorola Literature Distribution; P.O. Box 20912; Phoenix, Arizona 85036. 1-800-441-2447 or 602-303-5454

**MFAX:** RMFAX0@email.sps.mot.com – TOUCHTONE 602-244-6609  
**INTERNET:** http://Design-NET.com

**JAPAN:** Nippon Motorola Ltd.; Tatsumi-SPD-JLDC, 6F Seibu-Butsuryu-Center, 3-14-2 Tatsumi Koto-Ku, Tokyo 135, Japan. 03-81-3521-8315

**ASIA/PACIFIC:** Motorola Semiconductors H.K. Ltd.; 8B Tai Ping Industrial Park, 51 Ting Kok Road, Tai Po, N.T., Hong Kong. 852-26629298

